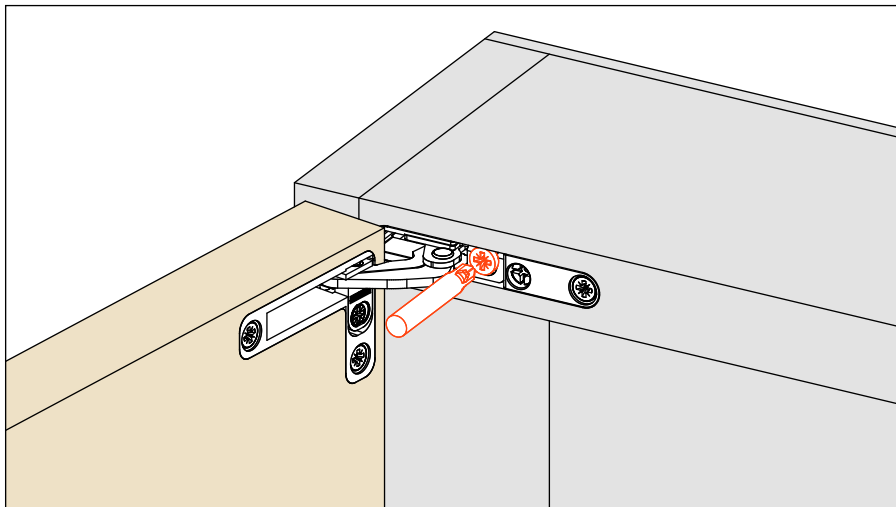
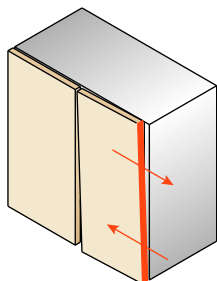
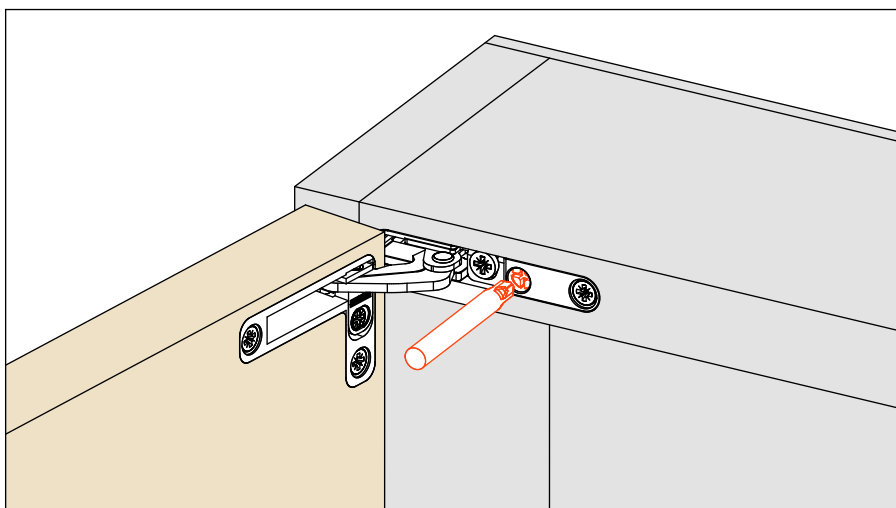
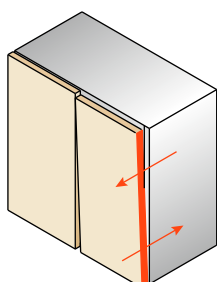


## Sideways adjustment from +2 to -2



## Depth adjustment from +2 to -0.5



## Height adjustment from +1.5 to -1.5

