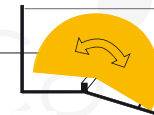
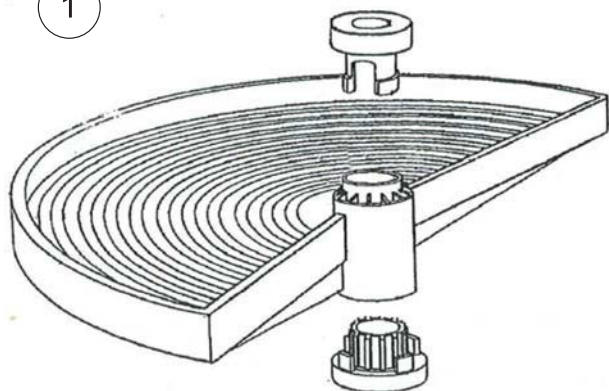


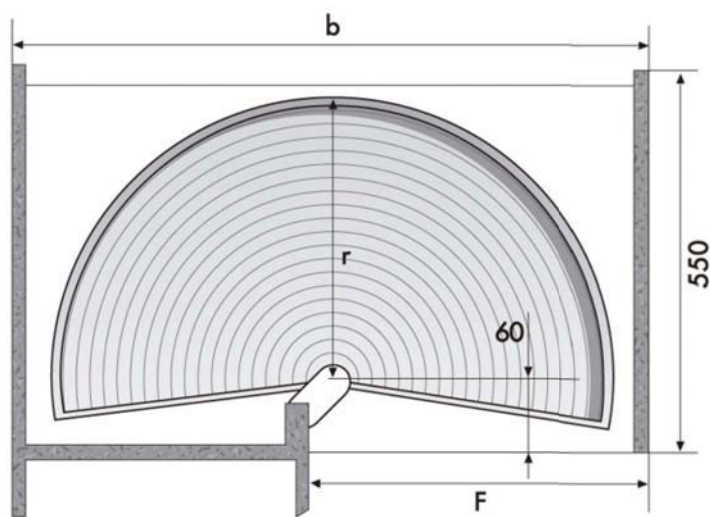
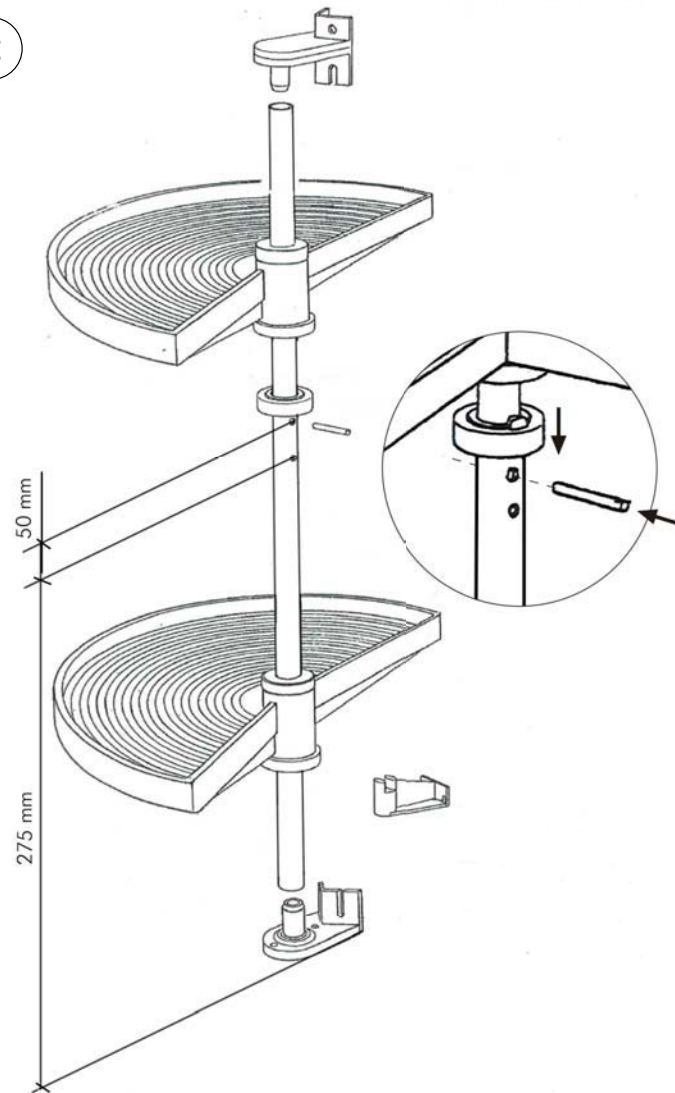
REVO 1/2



1



2



F = 400 mm.
r = 325 mm.
b = 800 mm.

F = 450 mm.
r = 375 mm.
b = 900 mm.

H min. = 550 mm.