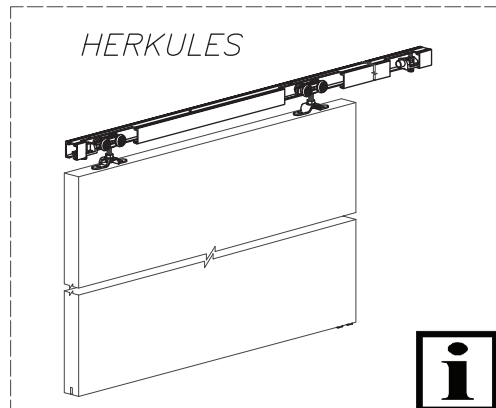
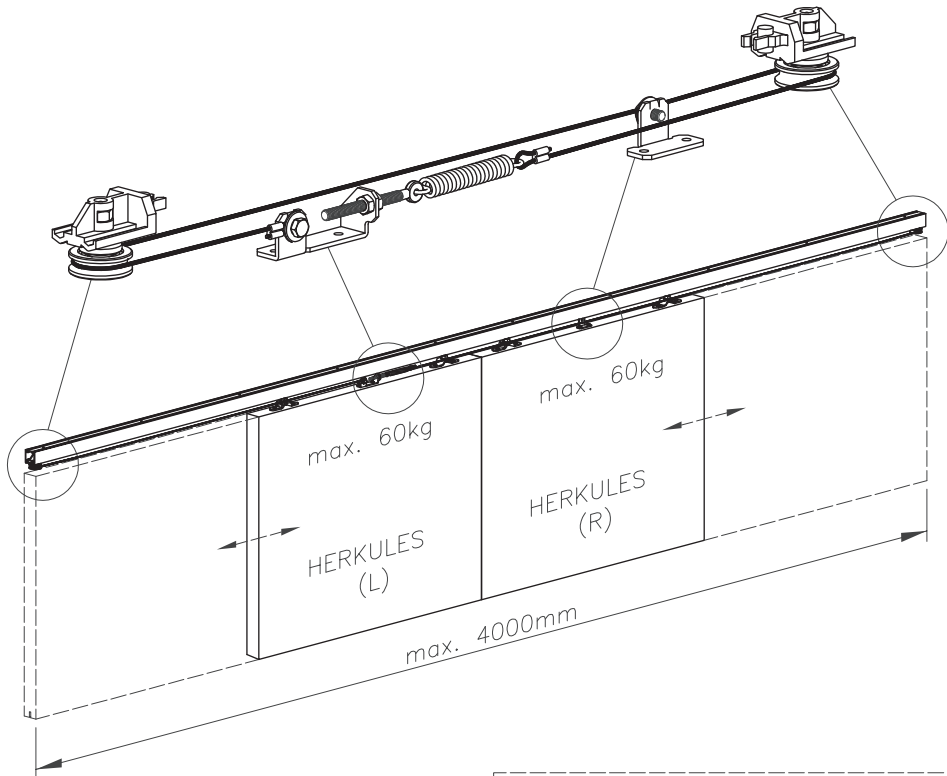


Symetric

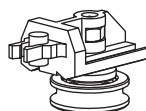




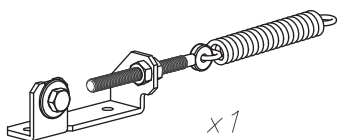
x1



x1



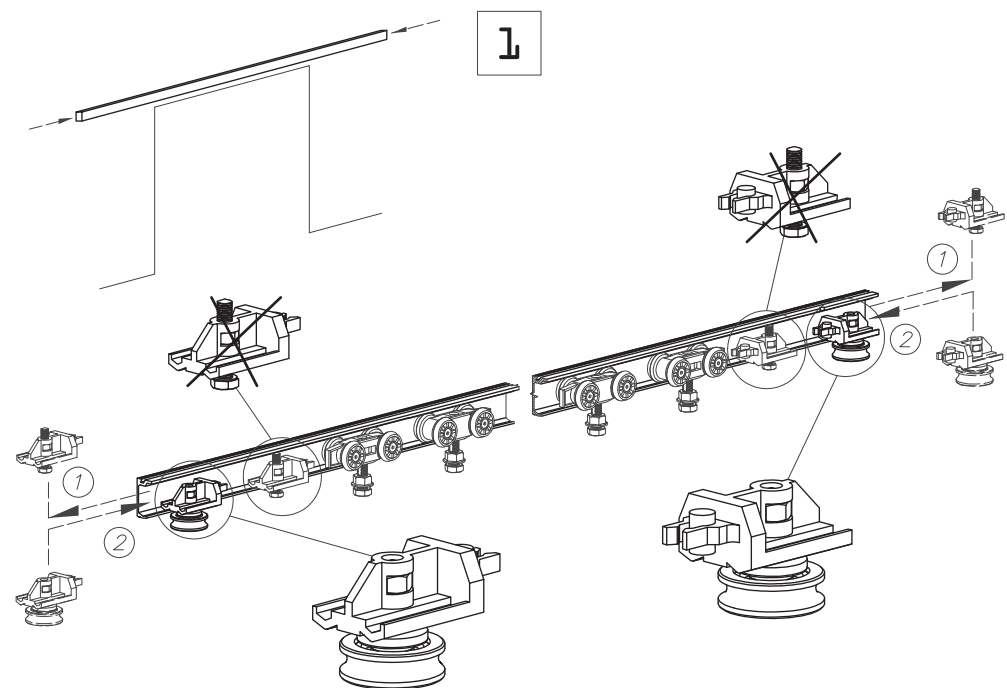
x2



x1



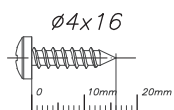
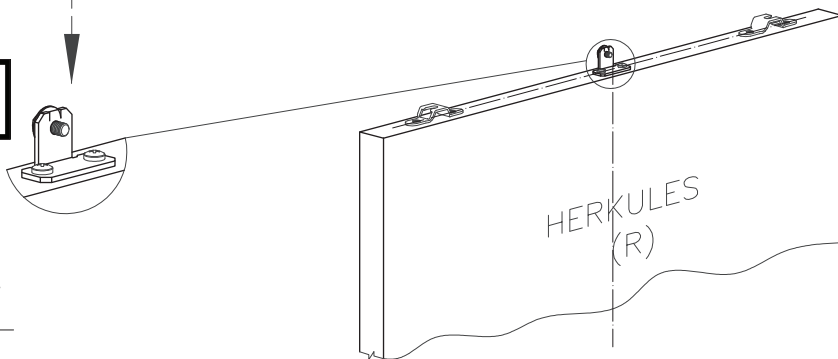
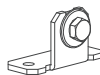
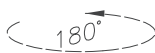
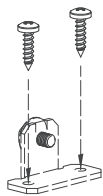
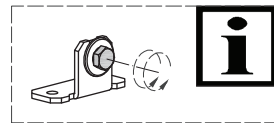
Ø4x16
x4





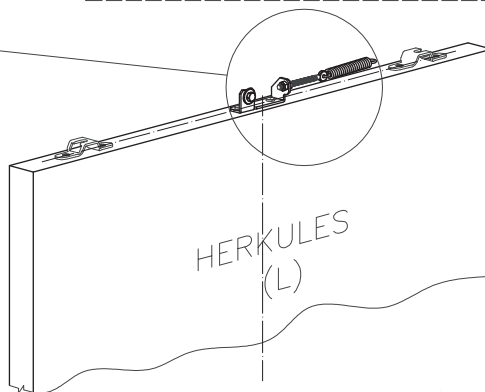
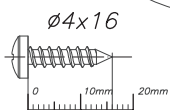
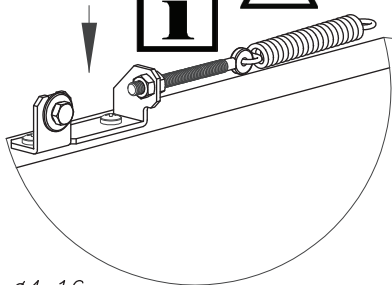
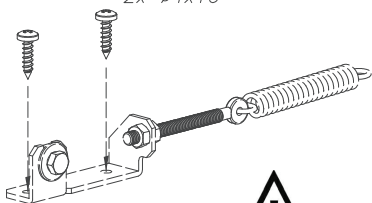
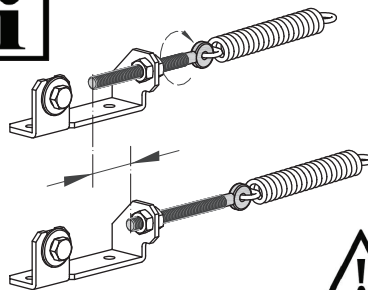
2x $\varnothing 4 \times 16$

2



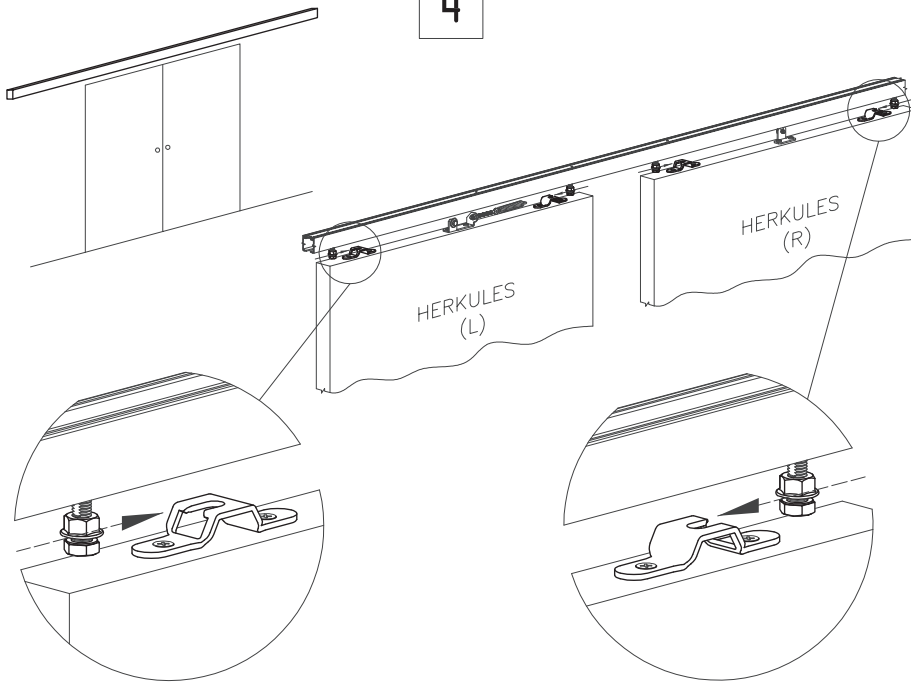
2x $\varnothing 4 \times 16$

3

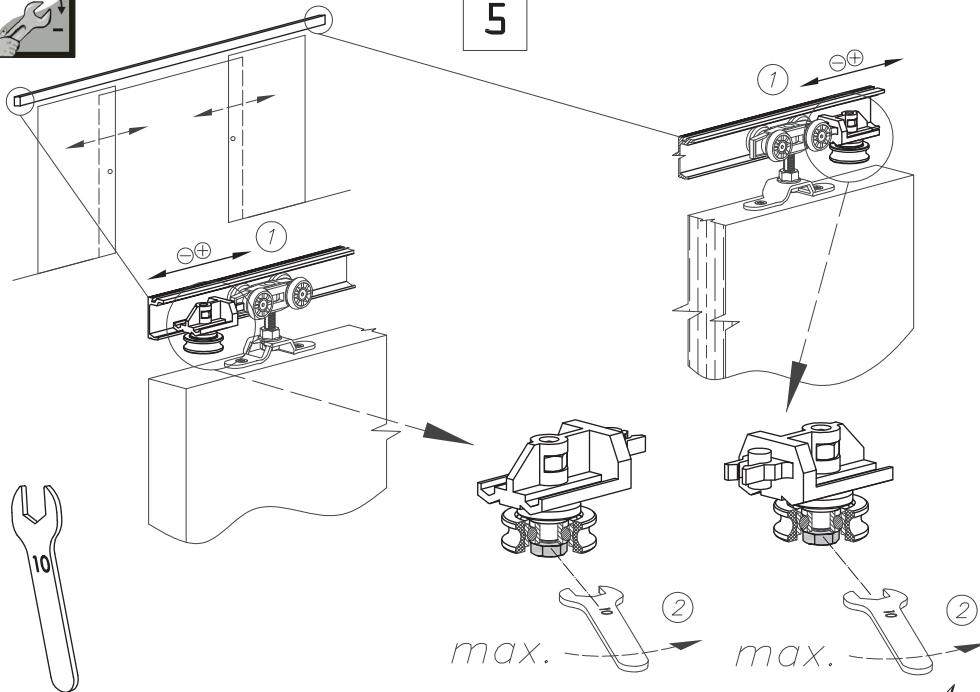


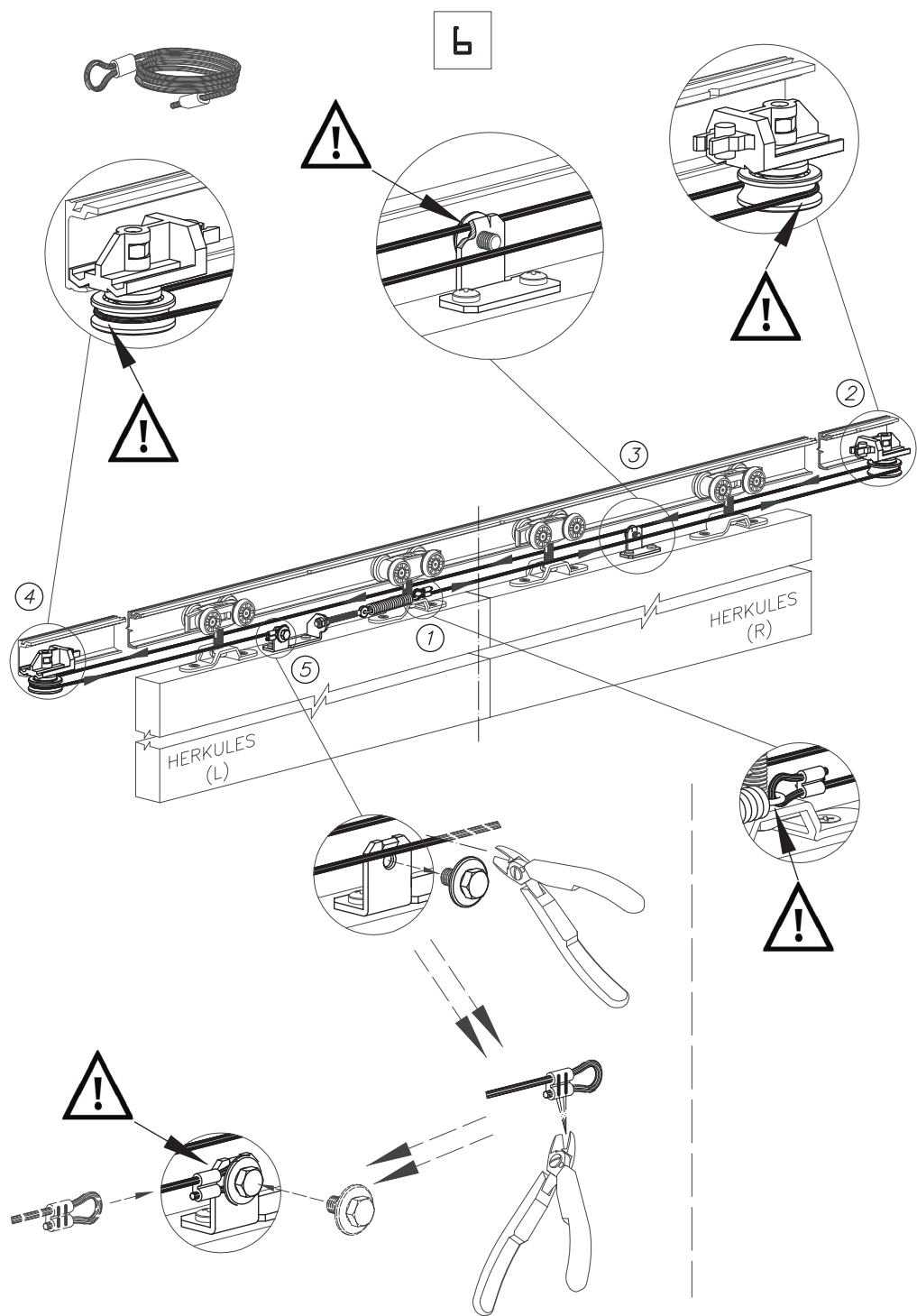


4



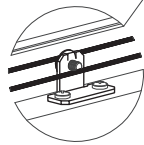
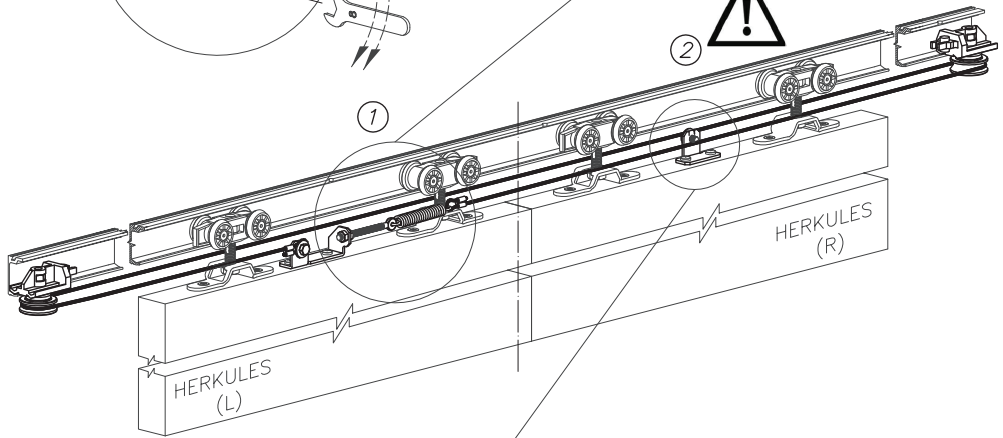
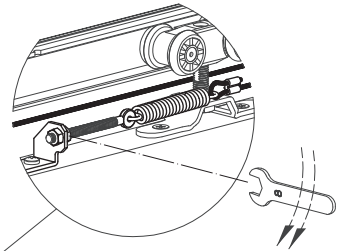
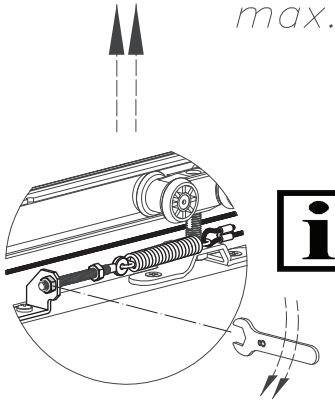
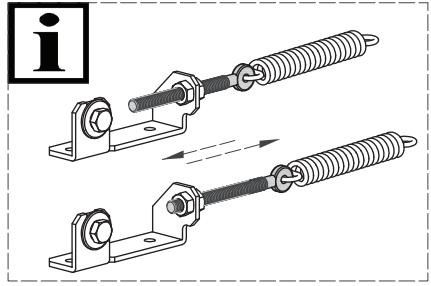
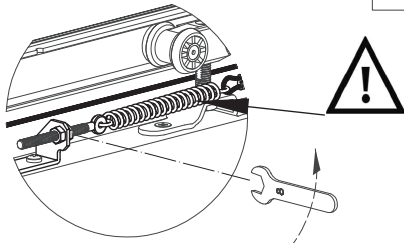
5







7



180°



max.

