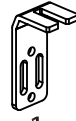


x1



x2



x1



x1



x2



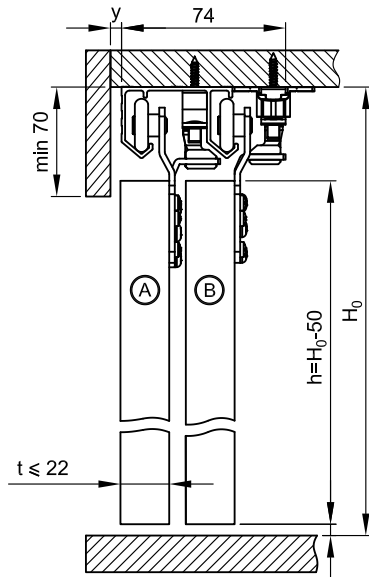
x4



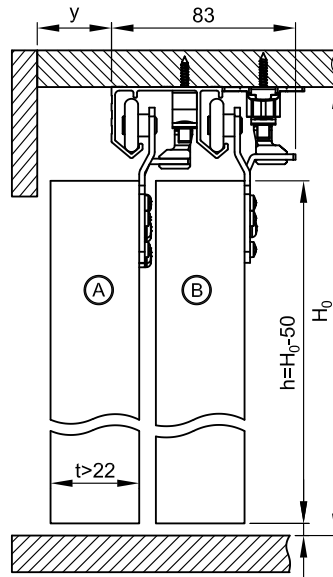
x1



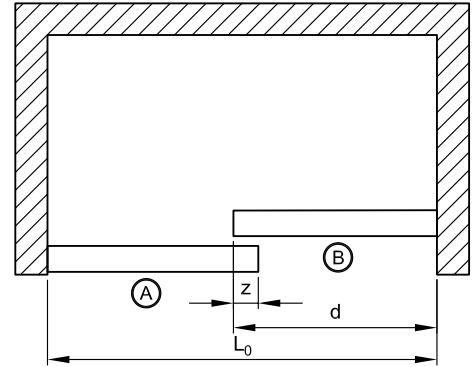
HORUS



t [mm]	16;18	19	22
y [mm]	0	1	4

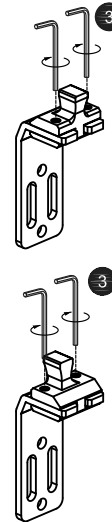
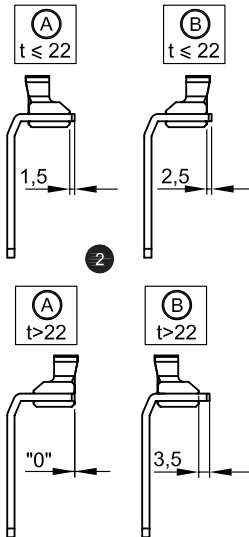
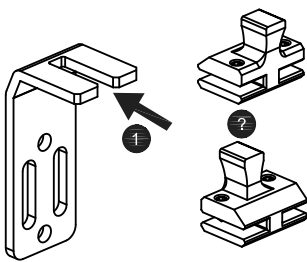


t [mm]	>22
y [mm]	t-9

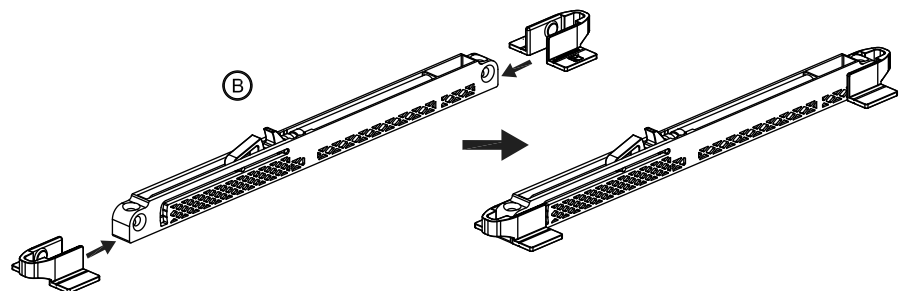
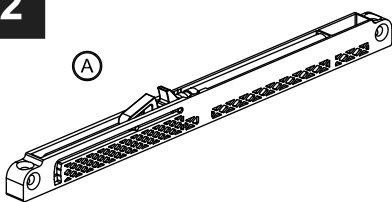


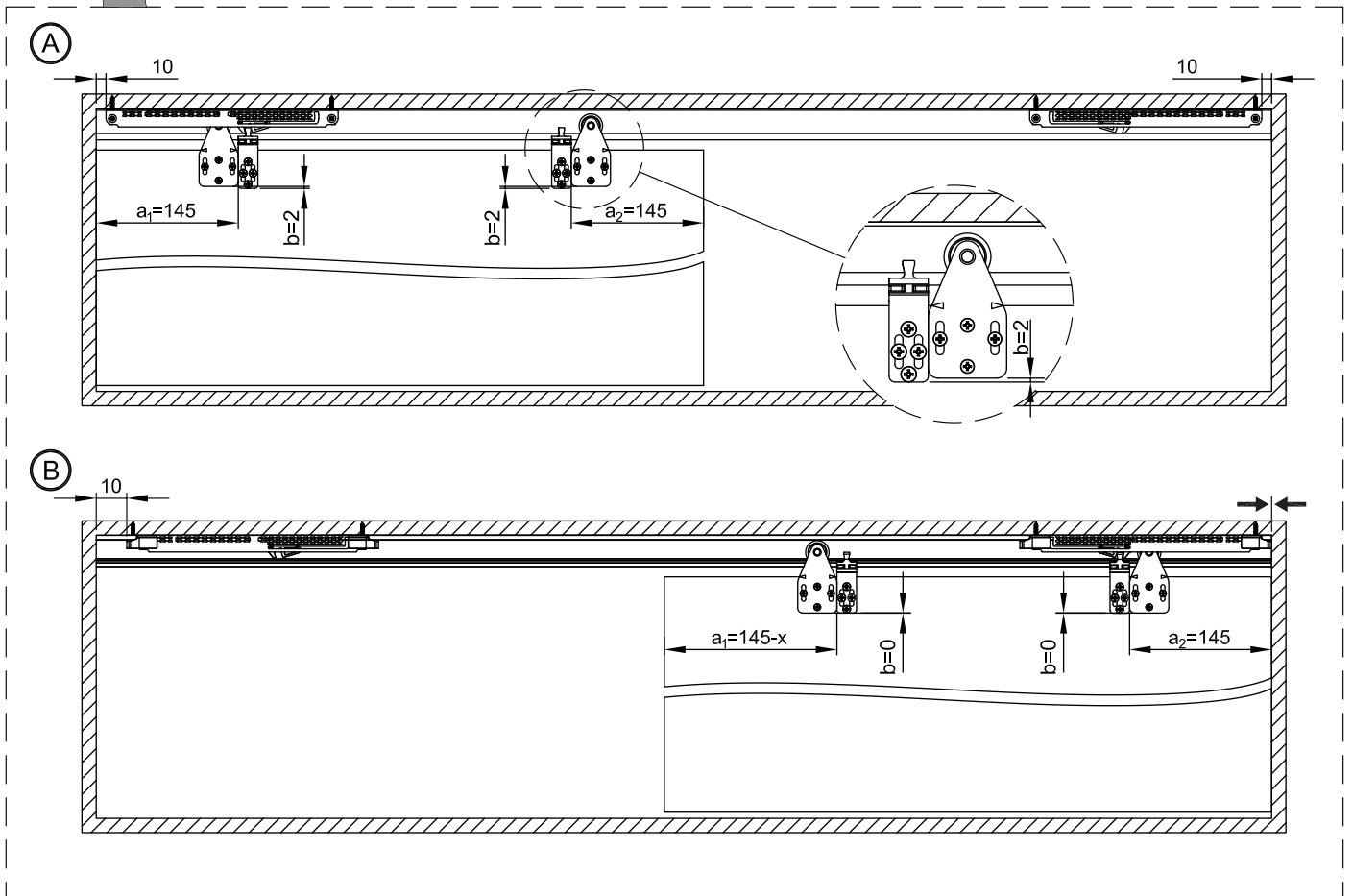
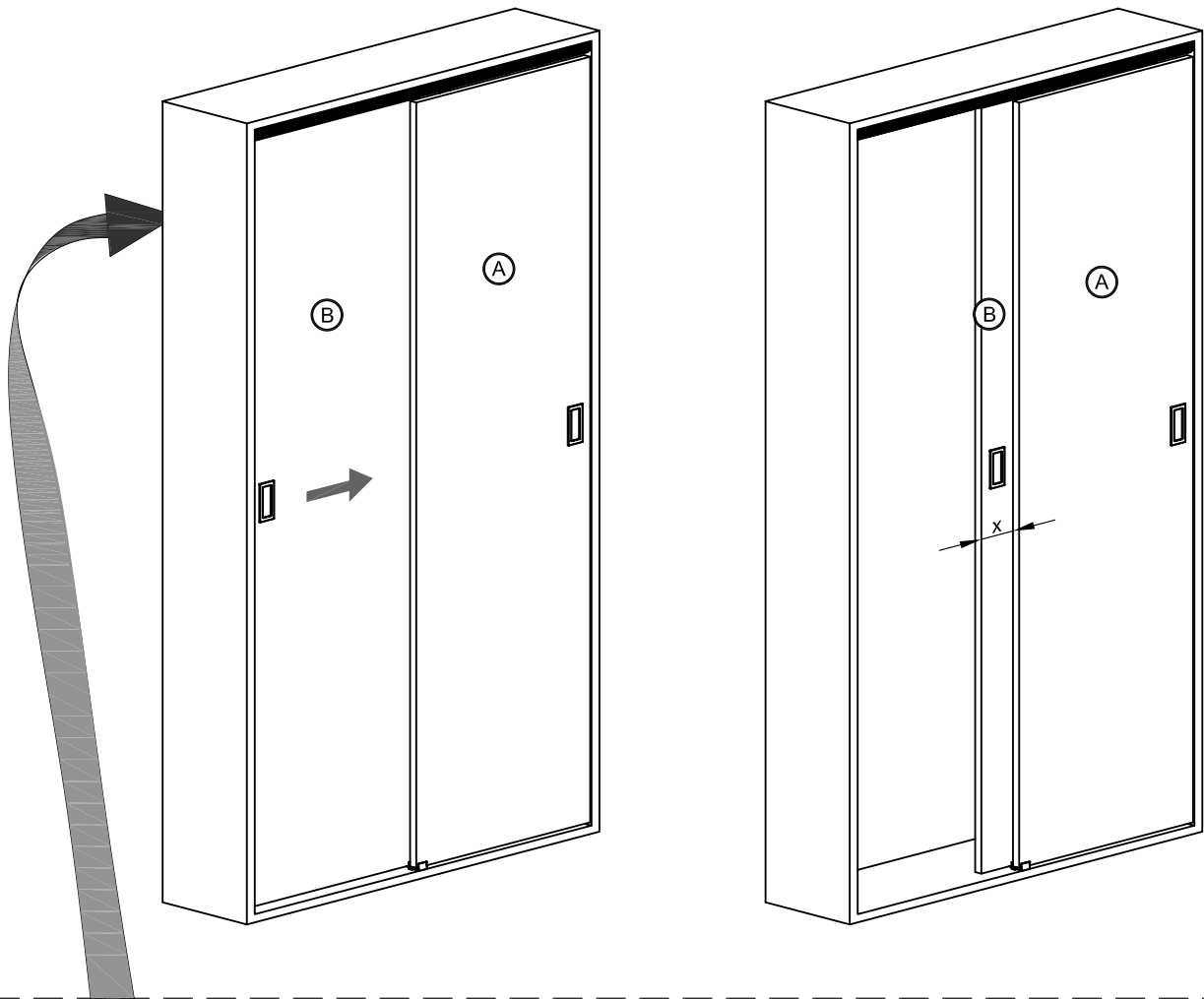
$$d = (L_0 + z) / 2$$

1

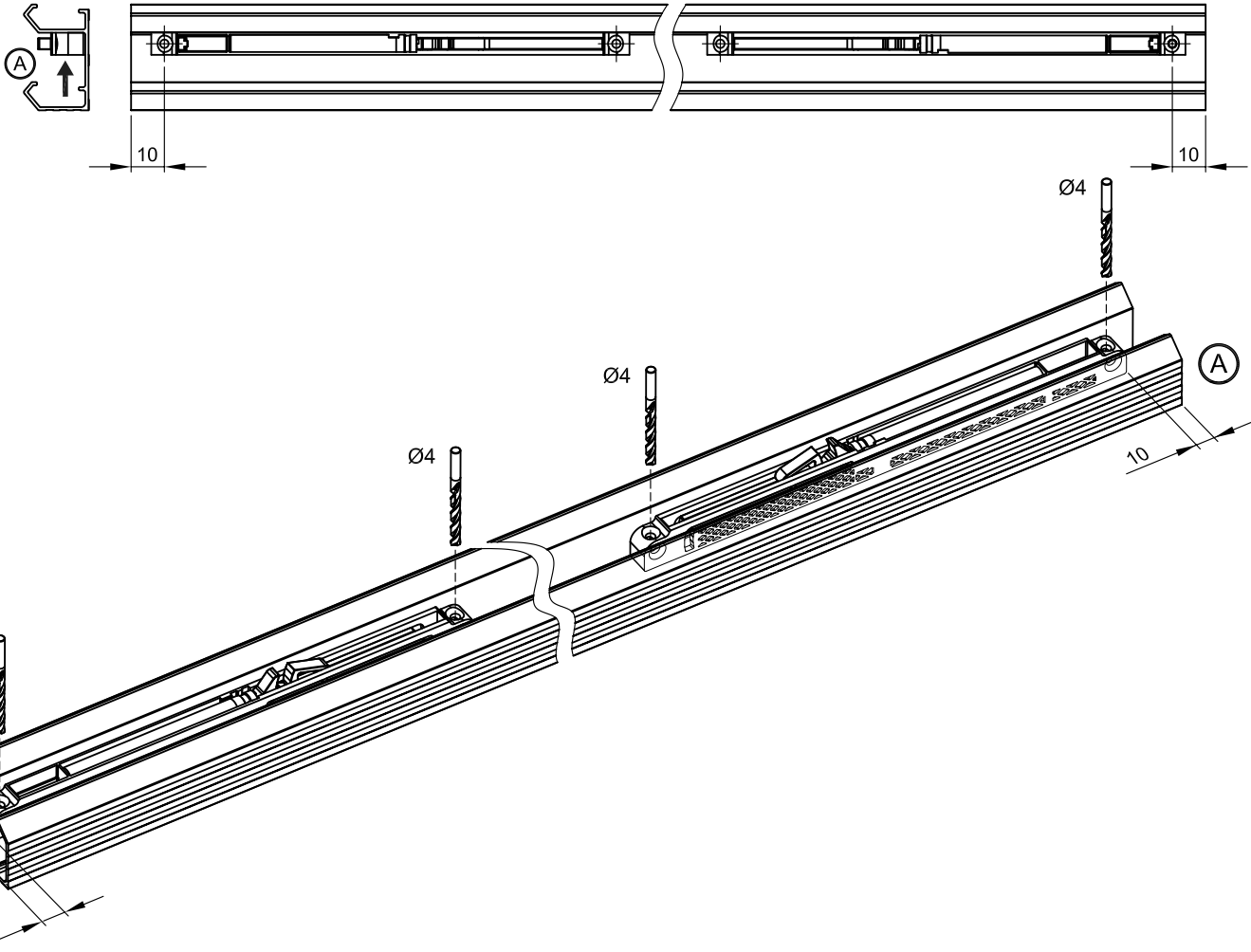


2

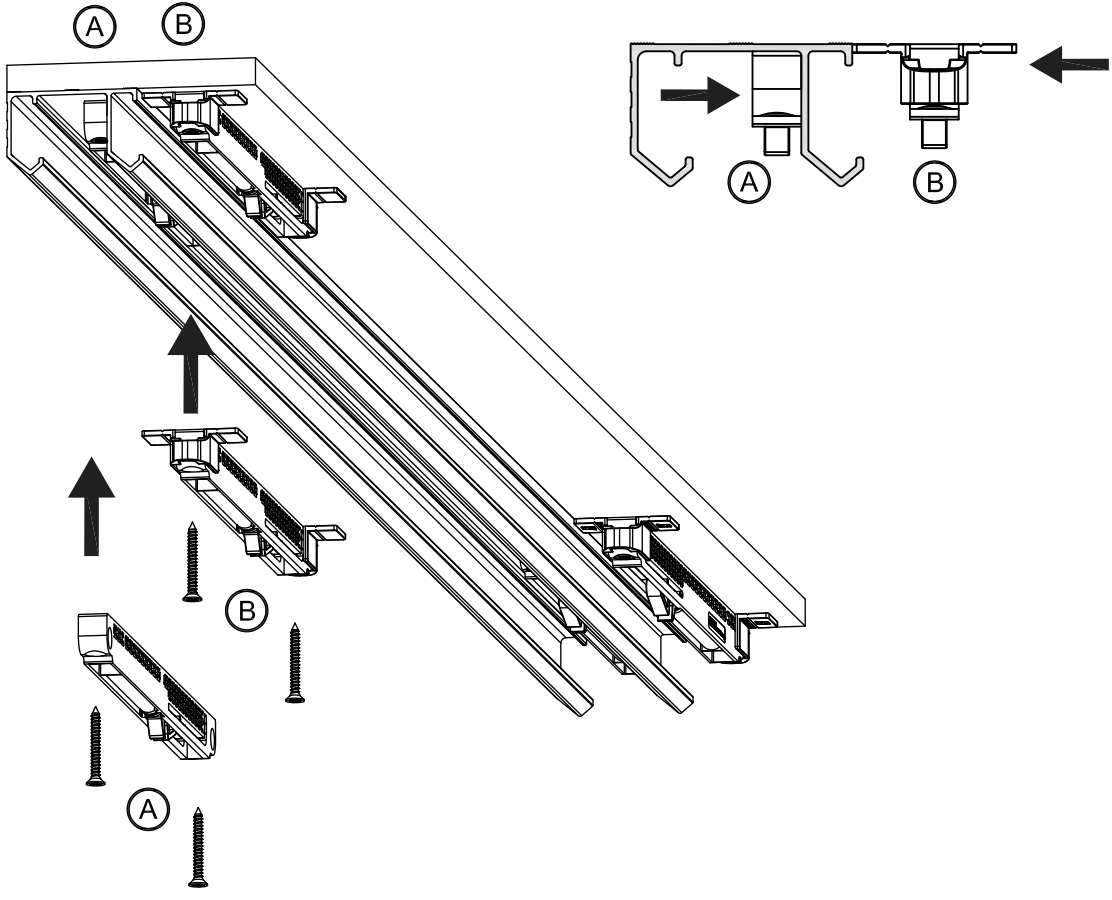




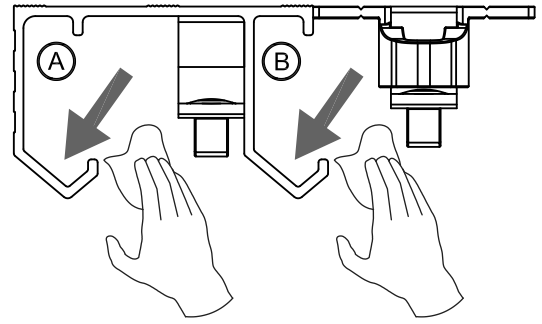
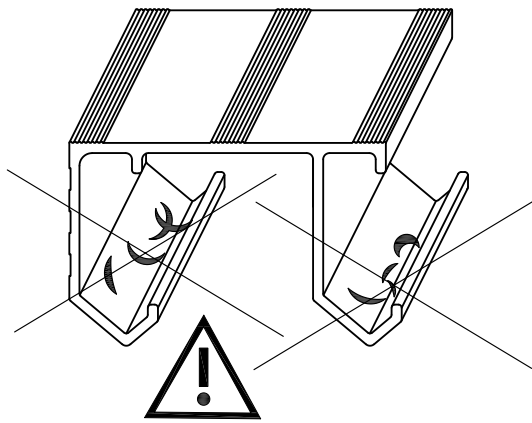
3



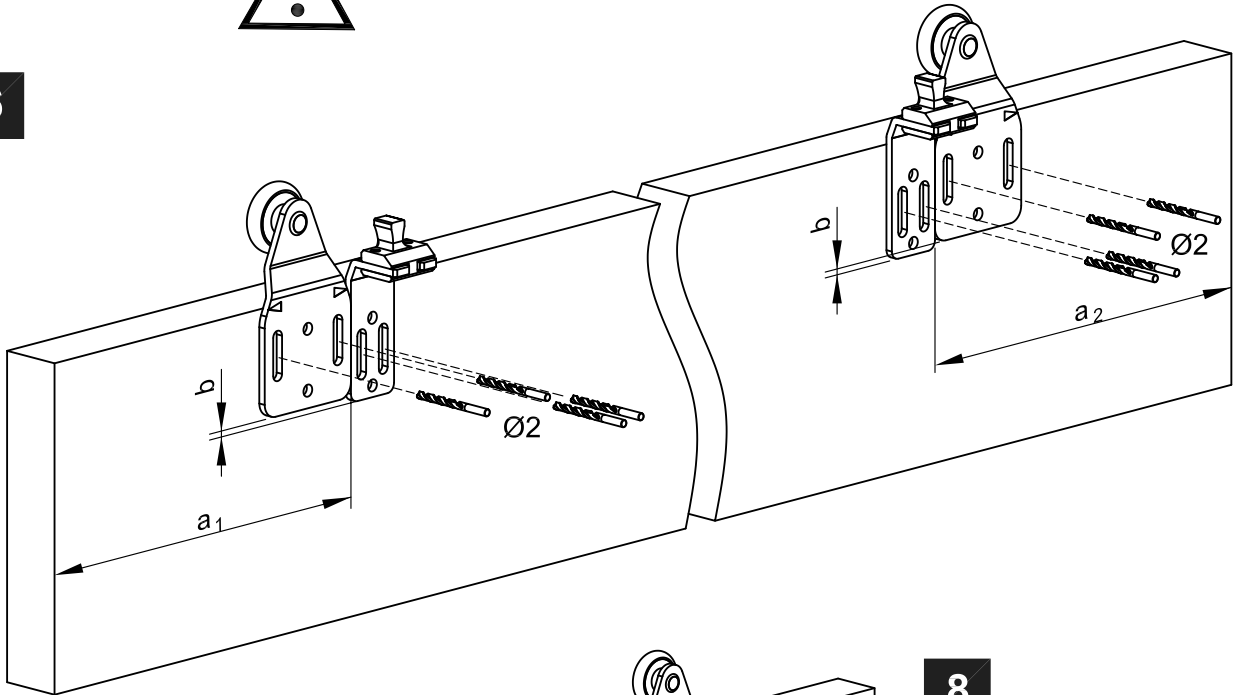
4



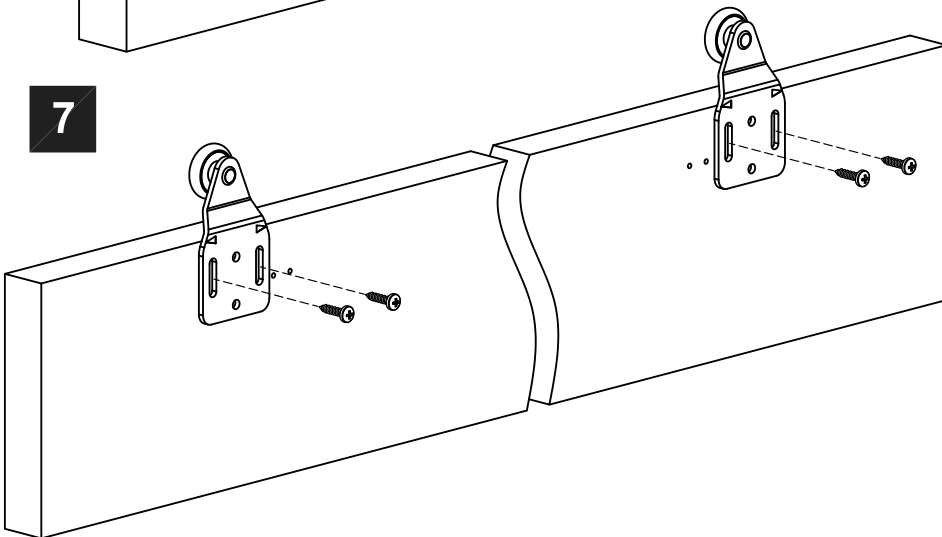
5



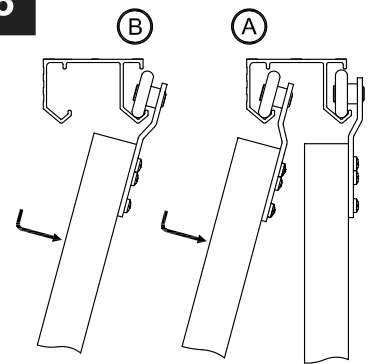
6



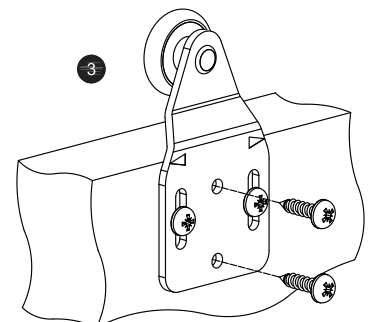
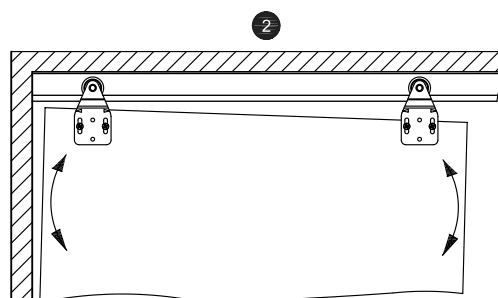
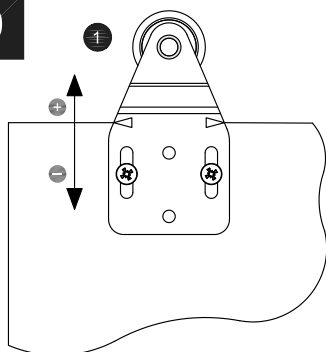
7



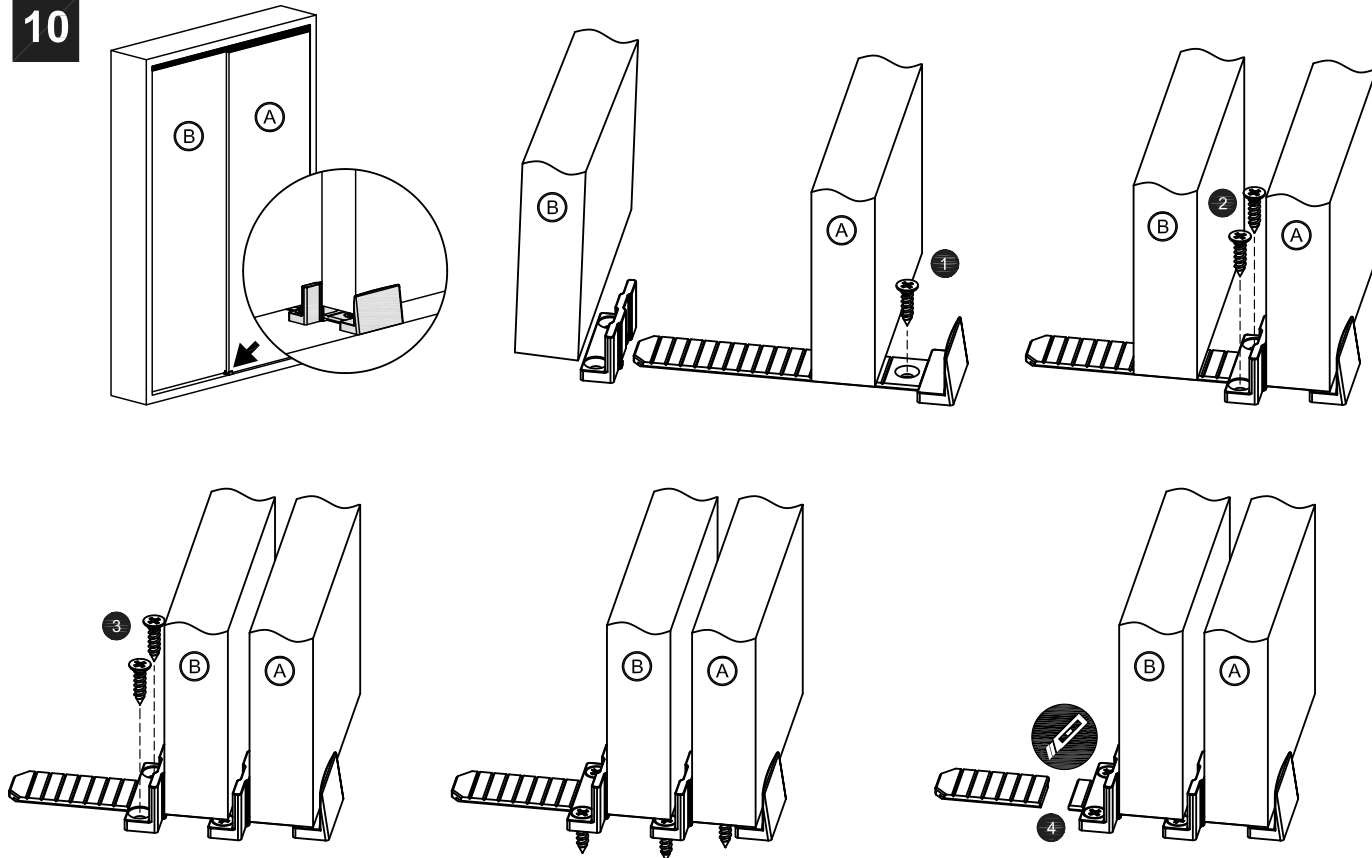
8



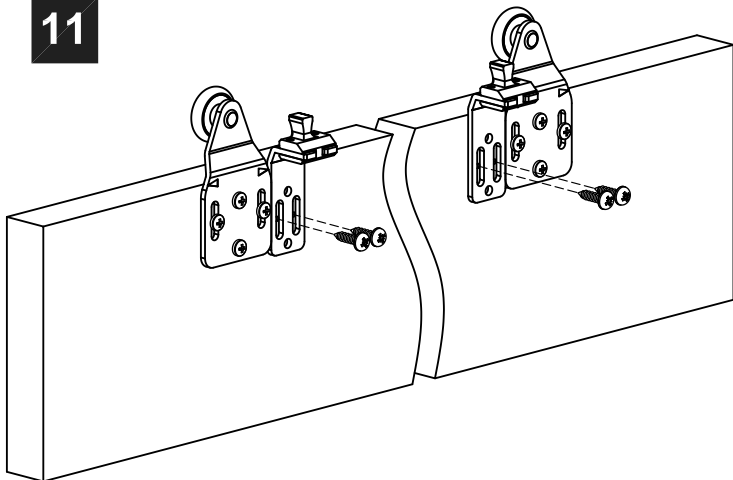
9



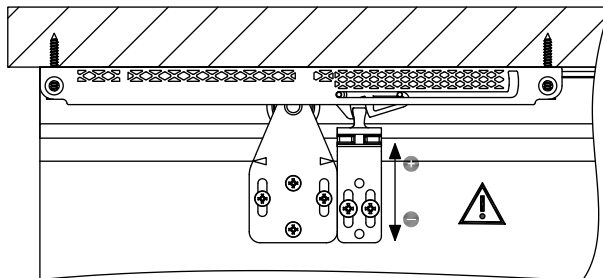
10



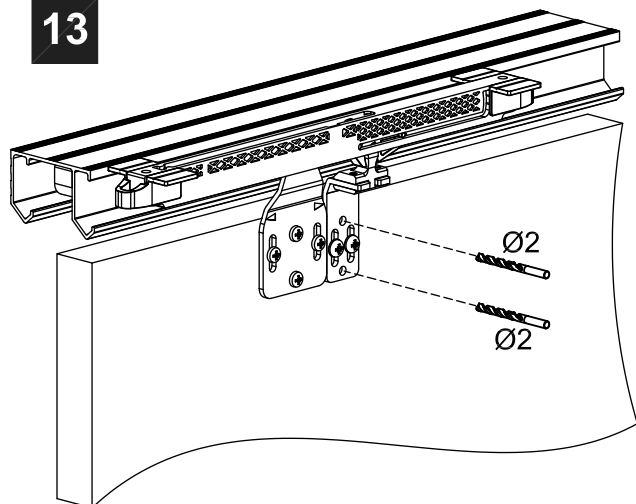
11



12



13



14

