



## TIP-ON BLUMOTION for MOVENTO

Two functions – fascinatingly combined

[www.blum.com](http://www.blum.com)

 **blum**<sup>®</sup>

# Innovative technology

TIP-ON BLUMOTION combines the advantages of the TIP-ON mechanical opening support system with reliable BLUMOTION dampening for silent and effortless closing – 100% mechanically. This advanced motion technology from Blum can also be used with MOVENTO, the concealed runner system for wooden drawers.

blum®



## Small front gap

TIP-ON BLUMOTION has a front gap of just 2.5 mm so it is ideally suited for use in different furniture.



## Four-dimensional adjustment

The four-dimensional adjustment ensures a precise gap layout. The integrated depth adjustment can be made tool-free using the adjustment wheel.



## Reliable function

It is possible to pull to open or push to close without difficulty, and TIP-ON BLUMOTION will remain fully functional.



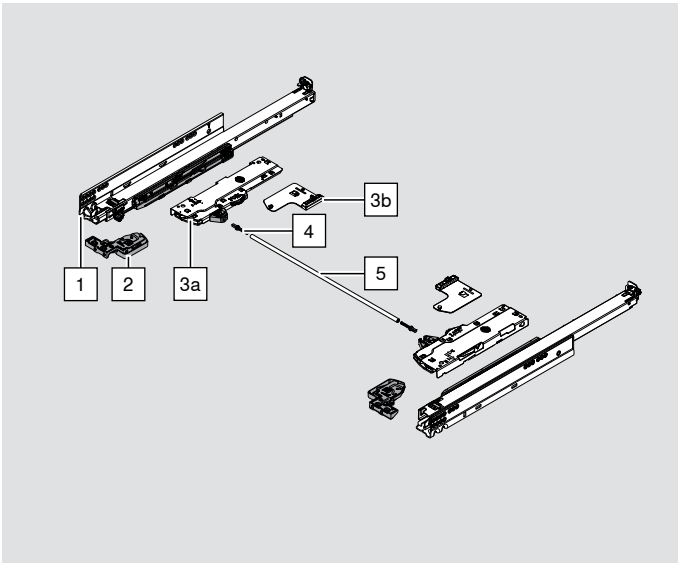
## Easy assembly

Tool-free assembly is possible for all TIP-ON BLUMOTION components. The adjustment template can be used to precisely and conveniently adjust the front gap to 2.5 mm.



## Order specification

## TIP-ON BLUMOTION for MOVENTO



1	TIP-ON BLUMOTION MOVENTO runner Left/right		
	Nominal length (NL)	40 kg	60 kg
	270 mm	760H2700M	
	300 mm	760H3000M	
	320 mm	760H3200M	
	350 mm	760H3500M	
	380 mm	760H3800M	
	400 mm	760H4000M	
	420 mm	760H4200M	
	450 mm	760H4500M	766H4500M
	480 mm	760H4800M	
	500 mm	760H5000M	766H5000M
	520 mm	760H5200M	766H5200M
	550 mm	760H5500M	766H5500M
	580 mm		766H5800M
	600 mm	760H6000M	766H6000M
	650 mm		766H6500M
700 mm		766H7000M	
750 mm		766H7500M	

2	Left/right locking device	
	Order locking device separately	
	Left	T51.7601
	Right	T51.7601

3	Set containing TIP-ON BLUMOTION unit and TIP-ON BLUMOTION latch										
	Can be used for:					Recommended weight ranges* for an optimum opening and closing function					
	Nominal length (NL)	Unit	Part number	< 10 kg	20 kg	30 kg	40 kg	50 kg	60 kg		
	270–320 mm	S0	T60L7040	≤ 10							
		S1	T60L7140	> 10–20							
	350–750 mm	L1	T60L7340	≤ 20							
		L3	T60L7540			5–40					
		L5	T60L7570					25–60			

4a	TIP-ON BLUMOTION synchronisation adapter	
	Symmetrical, used in conjunction with a synchronisation linkage, two required per synchronisation linkage, for internal cabinet widths ≥ 314 mm	T60.000D

4b	TIP-ON BLUMOTION synchronisation (one-part) for cutting to size	
	Symmetrical, no synchronisation adapter required, for internal cabinet widths of 265–313 mm	T60.300D

5	TIP-ON BLUMOTION synchronisation linkage (round) for cutting to size	
	Possible for cabinet widths ≥ 400 mm Suitable for cabinet widths of up to 1400 mm	T60.1125W

### Accessories

Front gap template for TIP-ON BLUMOTION LEGRABOX / MOVENTO		
	Setting the front gap to 2.5 mm	65.5631

\* Total weight of the pull-out

Julius Blum GmbH  
Furniture Fittings Mfg.  
6973 Höchst, Austria  
Tel.: +43 5578 705-0  
Fax: +43 5578 705-44  
E-mail: [info@blum.com](mailto:info@blum.com)  
[www.blum.com](http://www.blum.com)

