

CAPACITY/DOOR : up to 2000 kg

TRACK: 8570

MOVEMENT : STRAIGHT



SLIDSOFT :
our SLIDSOFT calculation software in order to make easier your technical details
www.mantion.com

- «HLE» track : the track made of steel with «High Limit of Elasticity» enables heavy loads in safe conditions
- Hanger suitable for fire doors (2288S) with steel wheels and precision ball bearings
- For special mounting : the fixing bolt is 70 mm longer than the normal version (L version)
- For doors over 500 kg : the use of our brackets 8578 MC or 8578 ML is required (1 bracket every 0.50 m)

| TRACKS | | |
|----------|---------------------------------------|-------|
| Item Nr | Description | Pack. |
| 8570/400 | Galvanised track 85 x 70 mm, 4 m long | |
| 8570/500 | Ditto 5 m long | |
| 8570/600 | Ditto 6 m long | |



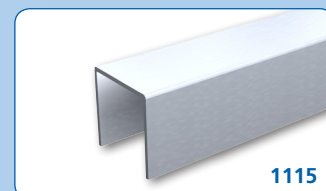
DOUBLE HANGER "S" VERSION

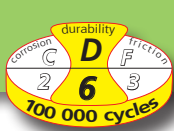
Capacity per door

| HANGERS & PLATES | | | |
|------------------|---------|---|---|
| 288 S | 2000 kg | Hanger, top fixing, with steel wheels mounted on needle roller bearings. Fixing bolt Ø M 20 | 2 |
| 288 SL | | Ditto with long fixing bolt (133 mm) | 2 |
| 2288 S | 2000 kg | Hanger top fixing with 4 wheels equipped with high-precision ball bearings. Recommended for FIRE DOORS and other HIGH QUALITY doors. Fixing bolt Ø M 20 | 2 |
| 2288 SL | | Ditto with long fixing bolt (133 mm) | 2 |
| 85 S | | Reinforced plate, welding type Ø M 20 | |
| 86 S | | Plate, screwing type for top fixing - Ø M 20 See drawing on p. 17. | |



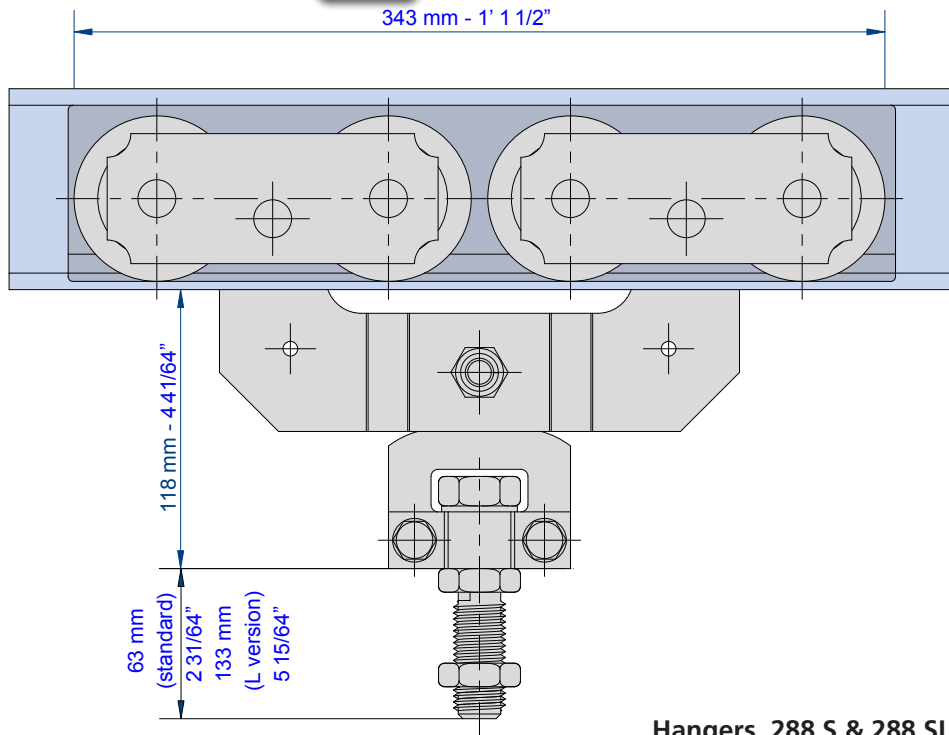
| GUIDES | | |
|----------|---|---|
| 1115/600 | U-profile 50 x 60 mm, galvanised - 6 m long | |
| 1059 | Bottom guide with olive (equipped with needle roller bearings) fixed on a screwing type plate (with square ends). For U-profile 50 x 60 mm See dimensions and mounting instructions on p. 65 | 5 |



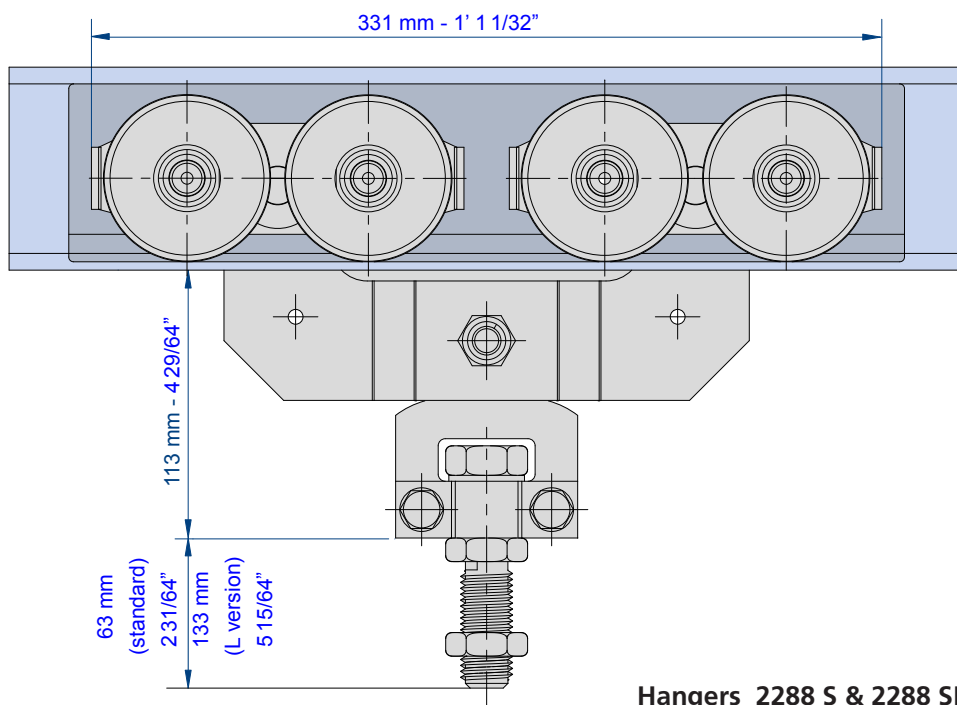
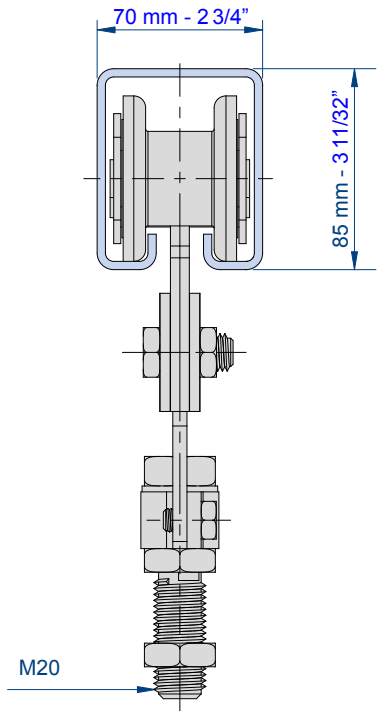


**2000
KG**

200 & 2200 series



Hangers 288 S & 288 SL



Hangers 2288 S & 2288 SL

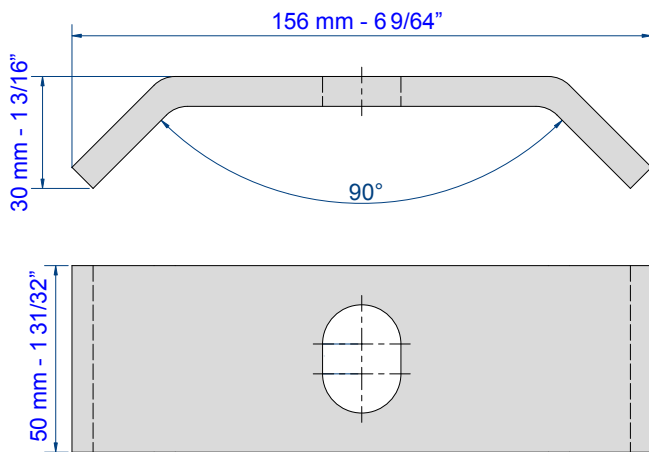
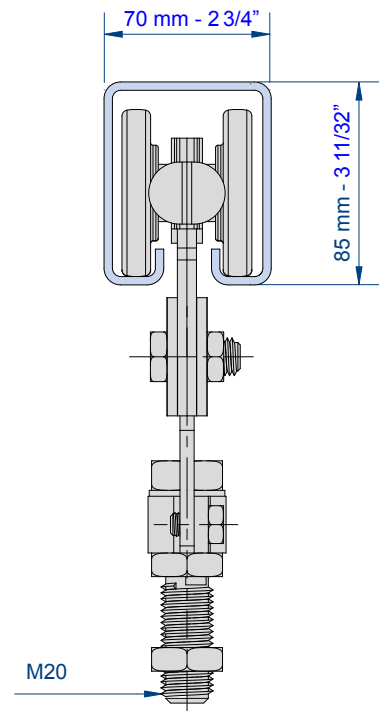


Plate 85 S

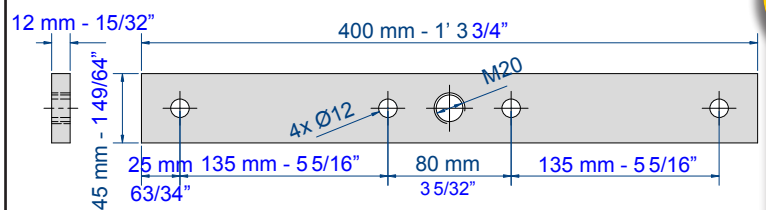


Plate 86 S

| TUBULAR TRACKS | | |
|----------------|--|-------|
| Item Nr | Description | Pack. |
| 2525F/400 | Galvanised track, drilled and countersunk every 0.44 m, 26 x 25 mm section, 4 m long | 4 |
| 2525F/500 | | |
| 2525F/600 | | |
| 3530/400 | Galvanised track 35 x 30 mm - 4 m long | 4 |
| 3530/500 | | |
| 3530/600 | | |
| 5040/400 | Galvanised track 50 x 40 mm - 4 m long | 4 |
| 5040/500 | | |
| 5040/600 | | |
| 6255/400 | Galvanised track 62 x 55 mm, in 25/10° - 4 m long | 4 |
| 6255/500 | | |
| 6255/600 | | |
| 6255/600 GE | Galvanised track 62 x 55 mm, in 20/10° - 6 m long | 4 |
| 8570/400 | | |
| 8570/500 | | |
| 8570/600 | Galvanised track (High Limit of Elasticity steel) 85 x 70 mm - 4 m long | 4 |
| 8570/500 | | |
| 8570/600 | | |

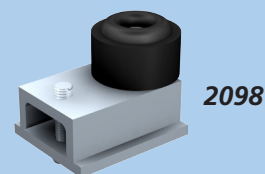
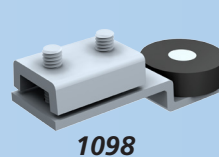
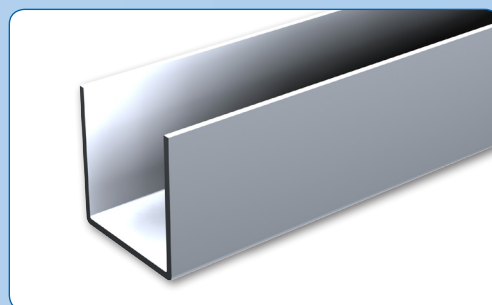
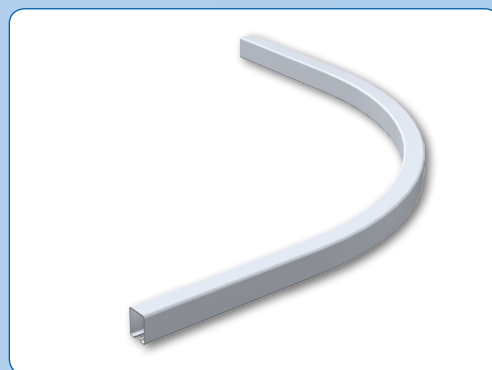
| CURVES FOR TUBULAR TRACK | | |
|--------------------------|--|--|
| 3530 C | Curve for galvanised track 35 x 30 mm, Radius = 500 mm. | |
| 5040 C | Curve for galvanised track 50 x 40 mm, Radius = 600 mm. | |
| 6255 C | Curve for galvanised track 62 x 55 mm, Radius = 800 mm. | |
| 8570 C | Curve for galvanised track 85 x 70 mm, Radius = 1000 mm. | |

| GUIDING PROFILES | | |
|------------------|---|---|
| 1109/400 | Galvanised U profile 25 x 17 mm - 4 m long. | 4 |
| 1109/500 | | |
| 1109/600 | | |
| 1110/400 | Galvanised U profile 30 x 30 mm - 4 m long. | 4 |
| 1110/500 | | |
| 1110/600 | | |
| 1115/600 | Galvanised U profile 50 x 60 mm - 6 m long. | |

| GUIDING CURVES | | |
|----------------|--|--|
| 1109 C | Galvanised curve for U profile 25 x 17 mm, Radius = 500 mm. | |
| 1111 C | Galvanised curve for U profile 30 x 30 mm, Radius = 600 mm. | |
| 1112 C | galvanised curve for U profile 30 x 30 mm, Radius = 800 mm. | |
| 1113 C | Galvanised curve for U profile 30 x 30 mm, Radius = 1000 mm. | |

| RAIL | 3530 | 5040 | 6255 | 8570 |
|---------------|------|------|------|------|
| Butée de rail | 1098 | 1098 | 2098 | 2098 |

see dimensions on p. 6




The capacities are indicated for a manual operation. In case of automatic operation, the capacity must be divided by 2.

Check the dimensions and particularly the opening dimension. If this dimension is not correct, adjust the track by narrowing or widening its sides.

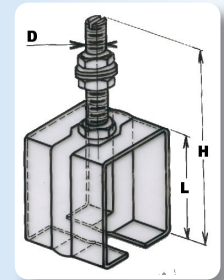
Joining two tracks can weaken an installation : it is essential to use jointing brackets (see on p.61) in order to insure perfect assembly, without track disalignement. Welding has to be excluded.

Before the use of the doors, it is recommended that the inside of the tracks be correctly cleaned and greased with bodied oil. To avoid any faulty sliding of the door, it is necessary to grease the inside of the tracks at least every 6 months.

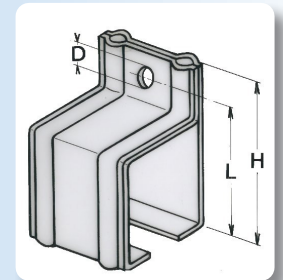


|  | Track section : | 25 x 25 | 35 x 30 | 50 x 40 | 62 x 55 | 85 x 70 | 85 x 70 |
|--|---|---------|---------|---------|---------|----------|----------|
| | Description | Item Nr | | | | | |
|  | Fixing bracket with normal rod | 2521 | 3531 | 5041 | 6256 | 8571 | 8578 MC* |
| | Fixing bracket with long rod | 2521 L | 3531 L | 5041 L | 6256 L | 8571 L | 8578 ML* |
|  | Wall-fixing bracket | | 3631 | 5141 | 6356 | - | - |
|  | Top-fixing bracket, screwing type | | 3634 | 5144 | 6359 | - | - |
|  | Jointing bracket | 2521 M | 3531 M | 5041 M | 6256 M | 8578 M* | 8578 M* |
|  | Jointing bracket with short rod | 2521 MC | 3531 MC | 5041 MC | 6256 MC | 8578 MC* | 8578 MC* |
| | Jointing bracket with long rod | 2521 ML | 3531 ML | 5041 ML | 6256 ML | 8578 ML* | 8578 ML* |
|  | Wall-fixing bracket (can also be used as end bracket) | | 3631 M | 5141 M | 6356 M | - | - |
|  | Top-fixing bracket, screwing type (can also be used as end bracket) | | 3634 M | 5144 M | 6359 M | - | - |

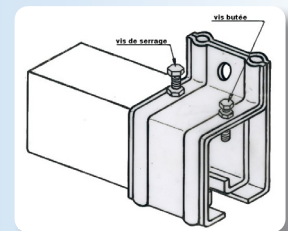
All these accessories are white galvanised



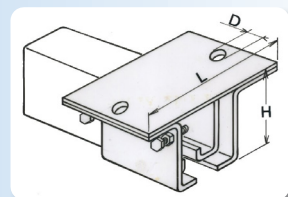
Fixing bracket



Wall-fixing bracket



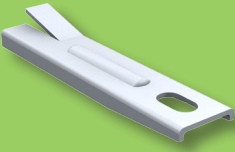
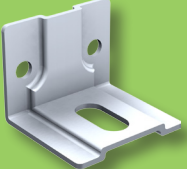

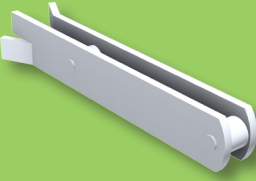
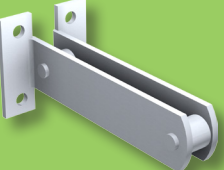
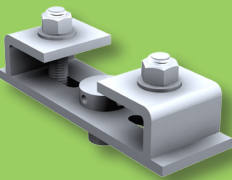

Use of the jointing bracket as end bracket



*All versions of the item Nr 8578 must be used with reinforced plates **8573 S** or **8576 S** in case of heavy loads, and even more so with the «S» version hangers.

For the fixing of the tracks, it is recommended that a bracket be placed every **0.70 m**. For doors from 500 Kg and over, a bracket every **0.50 m** is **recommended**

| Item Nr | Dim. D | Dim. H | Dim. L | Item Nr | Dim. D | Dim. H | Dim. L |
|---------|--------|--------|--------|---------|--------|--------|--------|
| 2521 | 8 | 58 | 38 | 5144 | 10,5 | 57 | 100 |
| 2521 L | 8 | 88 | 38 | 6256 | 14 | 125 | 86 |
| 3531 | 10 | 85 | 50 | 6256 L | 14 | 180 | 86 |
| 3531 L | 10 | 135 | 50 | 6356 | 12,5 | 96 | 83 |
| 3631 | 8,2 | 57 | 49 | 6359 | 12,5 | 69 | 130 |
| 3634 | 6,5 | 41 | 76 | 8571 | 20 | 162 | 110 |
| 5041 | 12 | 116 | 67 | 8571 L | 20 | 227 | 110 |
| 5041 L | 12 | 170 | 67 | 8578 MC | 20 | 162 | 118 |
| 5141 | 10,5 | 78 | 67 | 8578 ML | 20 | 227 | 118 |

| | TRACK | Item Nr | A | | B | | C | D | E | F | G |
|---|-------|----------|------|------|------|------|-----|------|----|------|----|
| | | | Min. | Max. | Min. | Max. | | | | | |
|  Plate - Sealing type | 35x30 | 3532 | 60 | 80 | 29 | 29 | 80 | | | | |
| | 50x40 | 5042 | 80 | 100 | 34 | 34 | 150 | | | | |
| | 62x55 | 6257 | 100 | 120 | 41 | 41 | 165 | | | | |
| | 85x70 | 8572 | 135 | 150 | 53 | 53 | 180 | | | | |
|  Angle plate Screwing type | 25x25 | 2523 | 70 | 100 | 13 | 24 | 26 | 30 | 21 | 4,2 | 32 |
| | 35x30 | 3533 | 89 | 104 | 20 | 30 | 35 | 44 | 30 | 6,5 | 40 |
| | 50x40 | 5043 | 115 | 133 | 25 | 40 | 40 | 60 | 42 | 8,5 | 60 |
| | 62x55 | 6258 | 137 | 152 | 35 | 50 | 50 | 70 | 48 | 10,5 | 70 |
| | 85x70 | 8573 | 198 | 216 | 45 | 60 | 80 | 100 | 72 | 11 | 90 |
| | 85x70 | *8573 S | 190 | 206 | 45 | 60 | 70 | 100 | 70 | 12,5 | 90 |
|  Soffit fixing plate screwing type | 25x25 | 2524 | 60 | 95 | 25 | 25 | 90 | 6,5 | | | |
| | 35x30 | 3534 | 85 | 95 | 25 | 25 | 90 | 6,5 | | | |
| | 50x40 | 5044 | 110 | 125 | 35 | 35 | 110 | 8,5 | | | |
| | 62x55 | 6259 | 130 | 145 | 60 | 60 | 155 | 10,5 | | | |
| | 85x70 | 8574 | 165 | 180 | 70 | 70 | 155 | 12,5 | | | |
|  Adjustment plate Sealing type | 35x30 | 3535 | 82 | 127 | 40 | 65 | 165 | | | | |
| | 50x40 | 5045 | 110 | 155 | 50 | 85 | 230 | | | | |
| | 62x55 | 6260 | 140 | 165 | 70 | 98 | 290 | | | | |
| | 87x70 | 8575 | 175 | 210 | 90 | 110 | 345 | | | | |
|  Adjustment plate Screwing type | 35x30 | 3536 | 97 | 142 | 40 | 65 | 110 | 30 | 35 | 6,5 | |
| | 50x40 | 5046 | 128 | 173 | 50 | 85 | 132 | 43 | 40 | 7,5 | |
| | 62x55 | 6261 | 155 | 180 | 70 | 98 | 170 | 57 | 50 | 8,5 | |
| | 85x70 | 8576 | 180 | 225 | 90 | 110 | 210 | 72 | 65 | 10,5 | |
| | 85x70 | **8576 S | 180 | 225 | 90 | 110 | 210 | 74 | 65 | 10,5 | |
|  Fixing bracket For I-beam | 35x30 | 3537 | 50 | 75 | 46 | 91 | | | | | |
| | 50x40 | 5047 | 60 | 80 | 46 | 91 | | | | | |
| | 62x55 | 6262 | 60 | 80 | 46 | 91 | | | | | |
| | 85x70 | 8577 | 75 | 95 | 46 | 91 | | | | | |
|  Ornamental cap for end track | 35x30 | 3540 | | | | | | | | | |
| | 50x40 | 5050 | | | | | | | | | |
| | 62x55 | 6265 | | | | | | | | | |
| | 85x70 | 8580 | | | | | | | | | |

*All versions of fixing and jointing brackets 8578 require the use of these reinforced plates.

**All versions of fixing and jointing brackets 8578 ML require the use of these reinforced plates.

- The capacity of the hanger must be determined by the door weight
- For the bottom guiding, please refer to our instructions (see on p. 60 and 61).
- The end stops must be placed at mid-height of the door
- For the track 5040 and upwards, stops with rubber buffers have to be used

| STOPS | | |
|---------|--|-------|
| Item Nr | Description | Pack. |
| 4023 | Buffer stop Ø 20 mm | 20 |
| 2692 | Buffer stop Ø 40 mm | 20 |
| 1085 | Adjustable stop fixed on a plate for doors sliding between 2 walls | |
| 1086 | Screwing type stop with rubber buffer for door up to 80 Kg | |
| 1094 | Sealing type stop with rubber buffer | |
| 1095 | Ditto - reinforced version | |
| 1096 | Double stop in cast iron for door closing in the centre - Adjustable from 40 to 75 mm - sealing type | |
| 2091 | Screwing type stop with rubber buffer | |
| 2094 | Screwing type stop with 2 rubber buffers | |
| 2095 | Reinforced stop with 2 spring buffers - Screwing type. | |

| HANDLES | | |
|---------|--|----|
| 1293 | Handle in ABS, mortising type Height : 75 mm - Width : 20 mm | 10 |
| 1296 | Handle in ABS, mortising type Height : 70 mm - Width : 46 mm | 10 |
| 1290 | Handle made with buckled sheet 15/10° Height : 200 mm - Width : 90 mm | 10 |
| 1290 X | Ditto in stainless steel | 10 |
| 1297 | Handle on a 265 mm plate | 10 |
| 1298 | Handle made with buckled sheet - 245 mm | 10 |

| STOPS & BOLTS | | |
|---------------|--|----|
| 1301 TN | Catch stop, cataphoresis treated, screwing type. Standard version | 10 |
| 1302 | Catch stop, raw steel. Reinforced version | 4 |
| 1310 N | Stopper in stainless steel «brush finish», Locking distance = 35 mm, height 140mm - width 40 mm | 12 |
| 1311 N | Stopper in stainless steel «brush finish», Locking distance = 35 mm, height 160mm - width 30 mm | |
| 1312 N | Stopper in ZAMAK, locking distance = 20mm, Height 135 mm - width 50 mm | |
| 1314 | Reinforced bolt with screwing type Length : 300 mm - Ø 14 mm | 10 |
| 1314 E | Reinforced cane bolt with screwing plate Height 300 mm Rod diameter 14 mm adjustable nut | |
| 1314 EF | Fixation kit with insert for 1314E and 1316E | |
| 1314 SO | Ditto, welding type - Length : 300 mm - Ø 14 mm | 10 |
| 1314 GE | Keeper of bolt, mortising type for 1314 and 1314 SO | |
| 1314 GP | Keeper of bolt for 1314 and 1314 SO | |
| 1316 | Reinforced bolt with screwing plates. Length : 500 mm - Ø 16 mm | 10 |
| 1316 E | Reinforced cane bolt with screwing plate Height 500 mm rod diameter 16 mm adjustable nut | |
| 1316 SO | Ditto welding type - Length : 500 mm - Ø 16 mm | 10 |
| 1316 GE | Keeper of bolt, mortising type for 1316 and 1316 SO | |
| 1316 GP | Keeper of bolt for 1316 and 1316 SO | |
| 1316 B | Bolt with padlock holder, case in cast iron, cane and keeper in steel. Weight : 660 gr. - Ø 16 mm | 10 |

| SEALING BRUSH | | |
|---------------|--|----|
| 1150/105 | Sealing brush, packed in individual plastic bags Length = 1.05 m. Total height = 35 mm - Height of the brush = 15 mm | 10 |

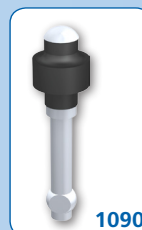
| PULLEYS | | |
|---------|---|---|
| 4090 | Swinging pulley Ø ext. : 90 mm - groove Ø : 75 mm for cables of Ø max. 4 mm | 2 |
| 4145 F | Pulley in cast iron, offset, screwing type Ø ext. : 145 mm - Ø groove : 120 mm for cables of max. Ø 6 mm. | |
| 8145 F | Pulley in cast iron Ø ext. : 145 mm - groove Ø : 120 mm for cables of max. Ø 6 mm. | |



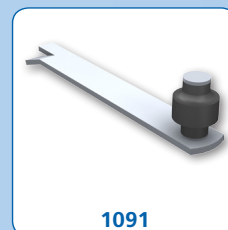
A sealing brush enables an efficient airtightness on the lateral and bottom parts of sliding doors.

BOTTOM GUIDES

| | | |
|---------|--|----|
| 1090 | Guide for vertical sealing, with a zytel olive | 10 |
| 1091 | Guide for horizontal sealing with a zytel olive | 4 |
| 1091 V | Adjustable guide, with a zytel olive. Screwing type | 4 |
| 1092 | Adjustable guide for horizontal sealing with 2 zytel olives | 6 |
| 1092 V | Adjustable guide with 2 zytel olives, screwing type | 6 |
| 1093 | Zytel olive Ø 46 mm, Height : 45 mm, for an axle of 16 mm Ø | 10 |
| 1088 | Bottom olive guide, without plate - For U 25 x 17 mm | 10 |
| 1089 | Ditto for U-profile 30 x 30 mm | 10 |
| 1100 | Bottom guide on a sealing plate - For U-profile 30 x 30 mm | |
| 1102 | Bottom guide with olive fixed on a round-ended plate Screwing type - For U-profile 25 x 17 mm | 20 |
| 1099 | Ditto for U-profile 30 x 30 mm | 10 |
| 1101 | Bottom guide with olive, on a reinforced plate Screwing type - For U-profile 30 x 30 mm | 10 |
| 1059 | Bottom guide with olive (with needle roller bearings) on a reinforced plate. Screwing type For U-profile 50 x 60 mm | 5 |
| 1011 | Adjustable shoe-guide in cast iron (21 to 50 mm) for standard doors | 10 |
| 1014 | Adjustable shoe-guide in cast iron (32 to 70 mm) for heavy doors | 4 |
| 1012 | Half shoe-guide in cast iron for standard doors | 4 |
| 1015 | Half shoe-guide in cast iron for heavy doors | |
| 1012 N | Half shoe-guide in nylon, for garage doors | 20 |
| 1110 GN | Nylon guide, screwing type, for U-profile 30 x 30 mm | 8 |



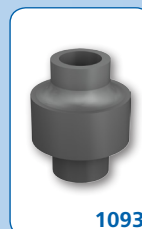
1090



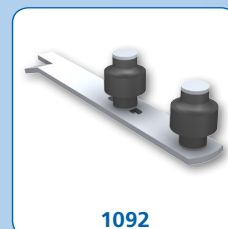
1091



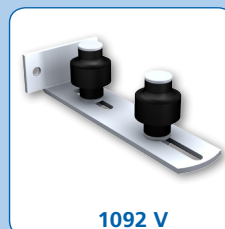
1091 V



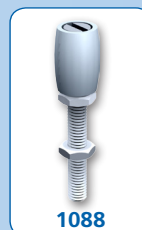
1093



1092



1092 V



1088



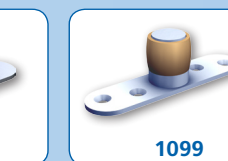
1089



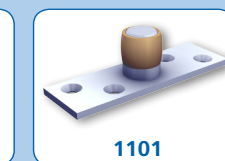
1100



1102



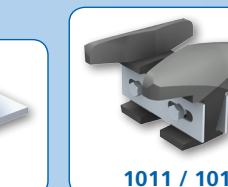
1099



1101



1059



1011 / 1014



1012 / 1015



1012 N



1110 GN

UPPER GUIDES

| | | |
|--------|--|--|
| 1052 | Adjustable upper guide with 2 olives mounted on needle roller bearings, for bottom sliding doors - Sealing type Height of the olive = 30 mm | |
| 1052 L | Long adjustable upper guide with 2 olives mounted on needle roller bearings, for bottom sliding doors - Sealing type Height of the olive = 65 mm | |
| 1053 | Adjustable upper guide with 2 olives mounted on needle roller bearings, for bottom sliding doors - Screwing type Height of the olive = 30 mm | |
| 1053 L | Long adjustable upper guide with 2 olives mounted on needle roller bearings, for bottom sliding doors - Screwing type Height of the olive = 65 mm | |



1052



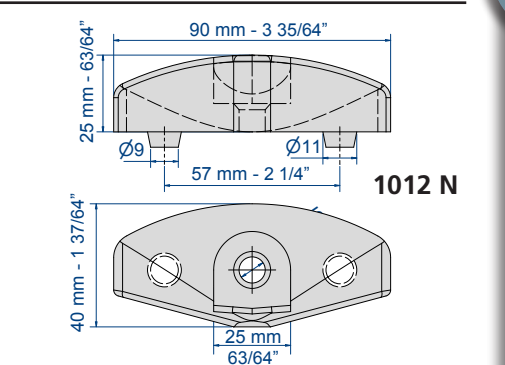
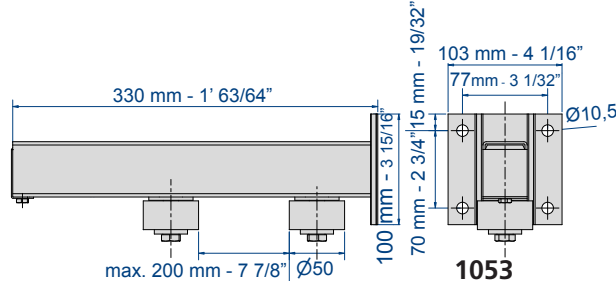
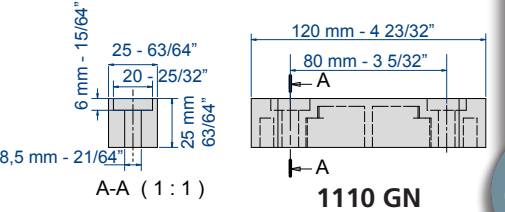
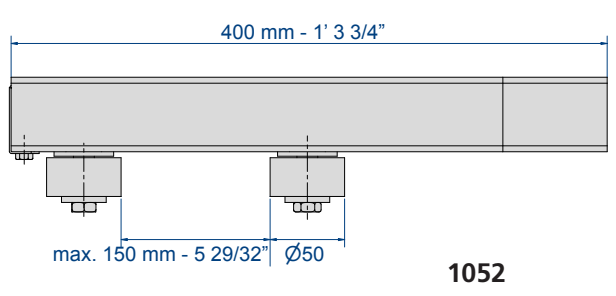
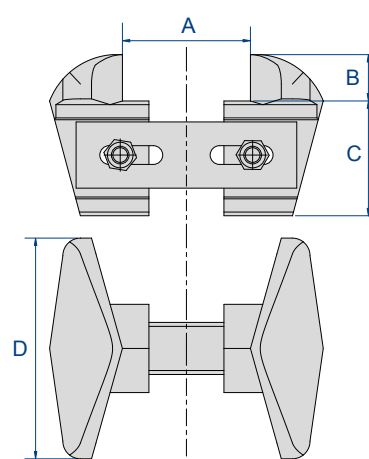
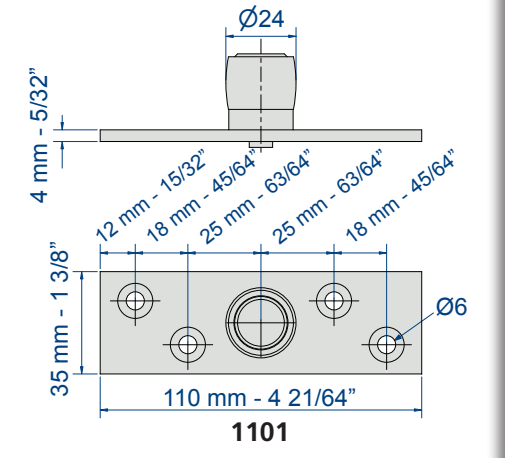
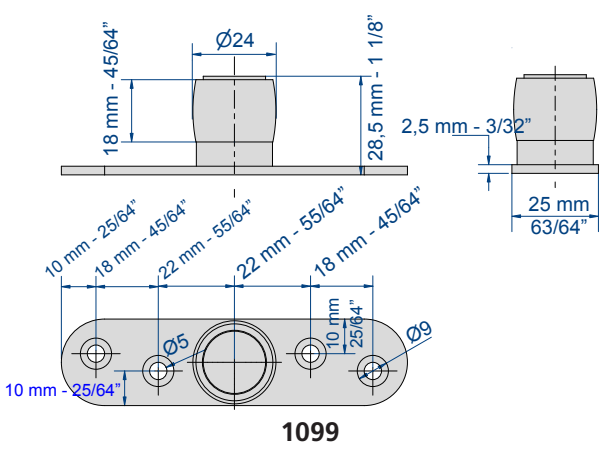
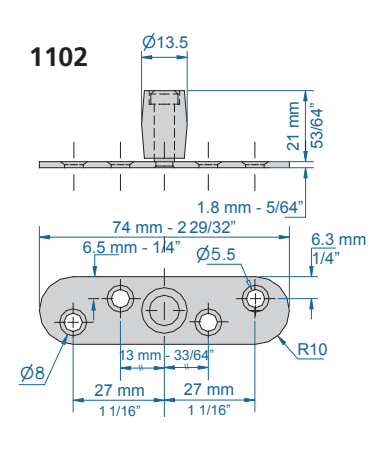
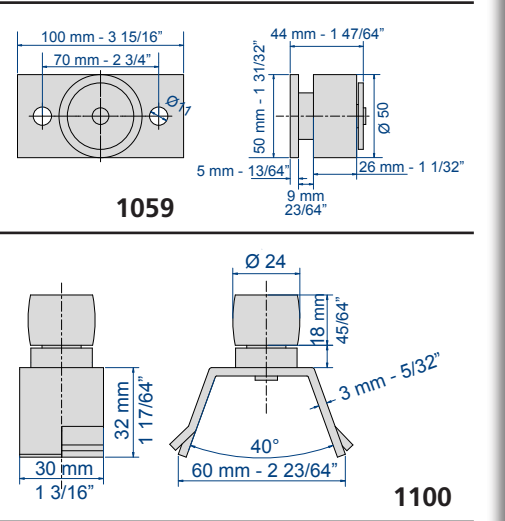
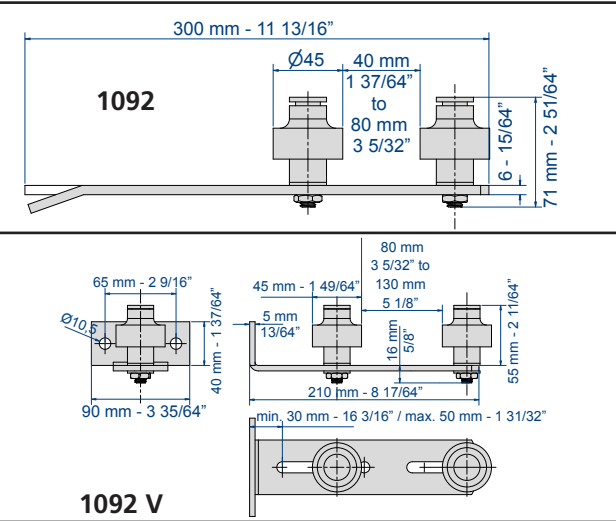
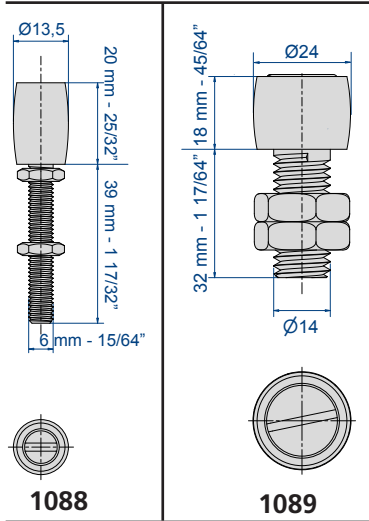
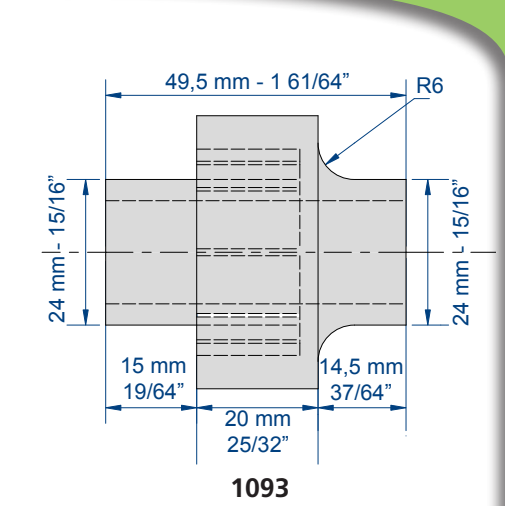
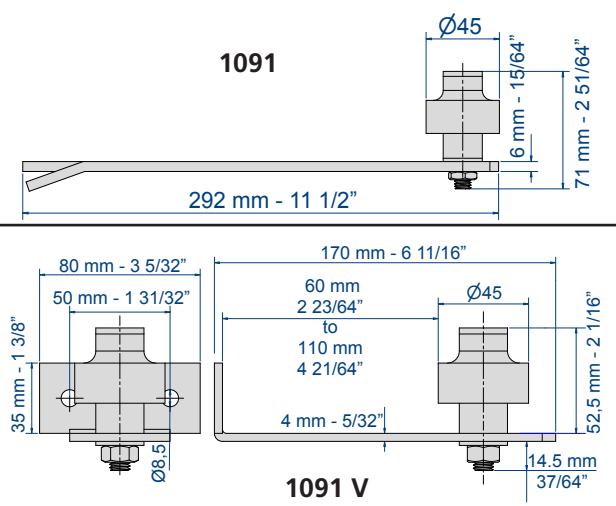
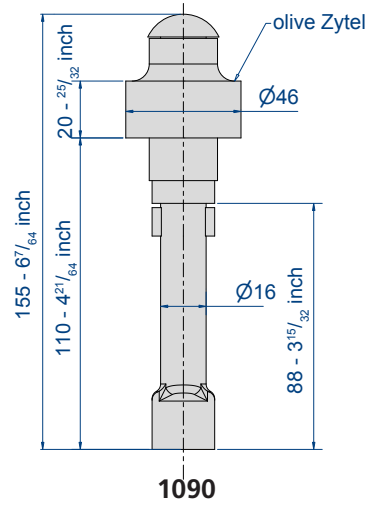
1052 L



1053



1053 L



| Item Nr | A | | B | C | D |
|---------|-----|-----|----|----|-----|
| | Min | Max | | | |
| 1011 | 21 | 50 | 20 | 33 | 72 |
| 1014 | 32 | 70 | 22 | 54 | 108 |