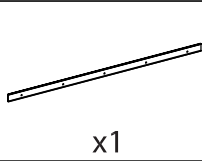


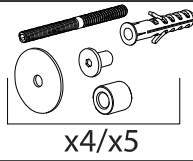
Bragi| ROC DESIGN index



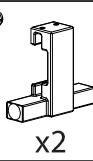
x1



x2



x4/x5



x2



x2



x1



St4x40

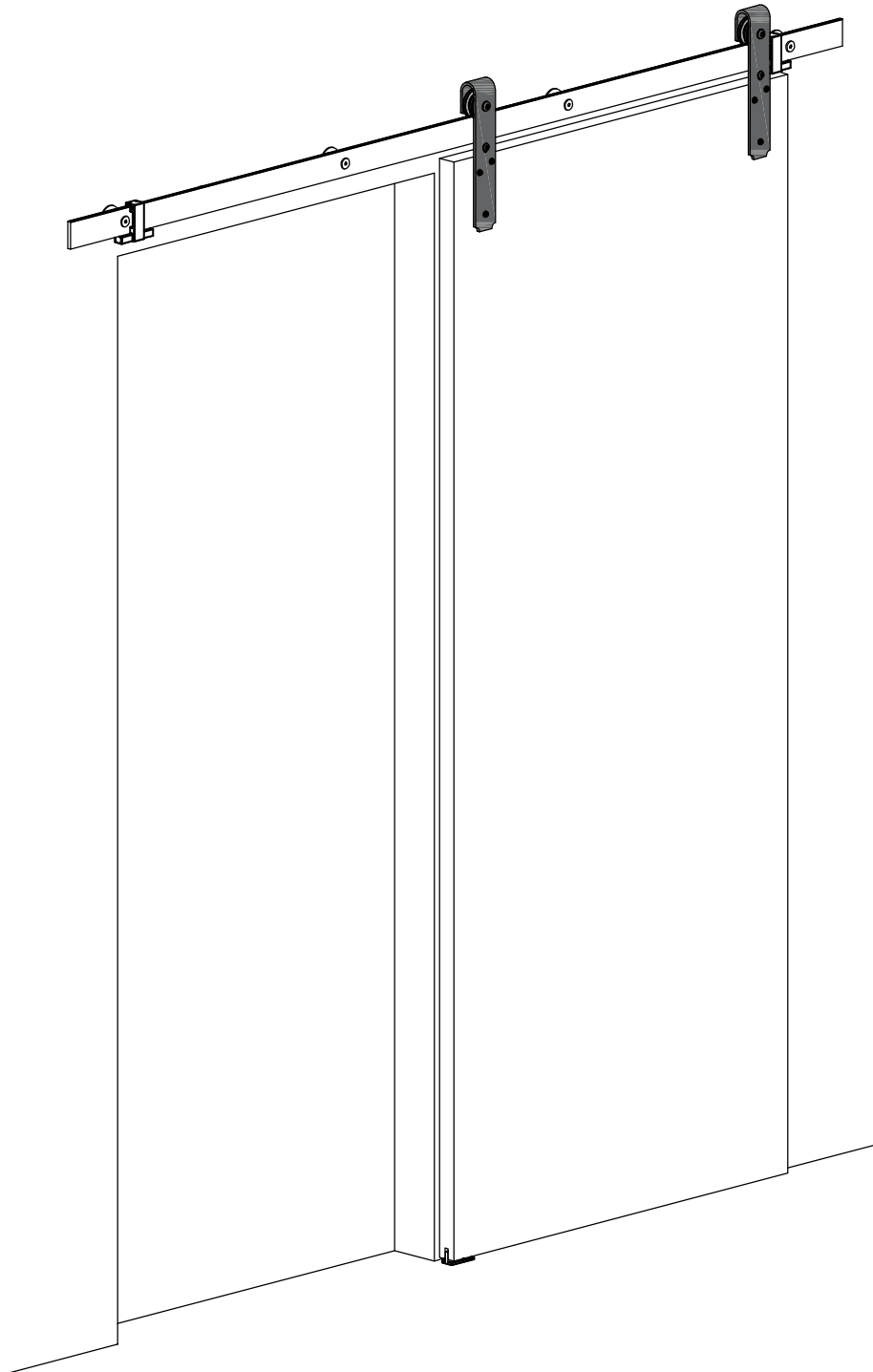
Ø6x30

x2



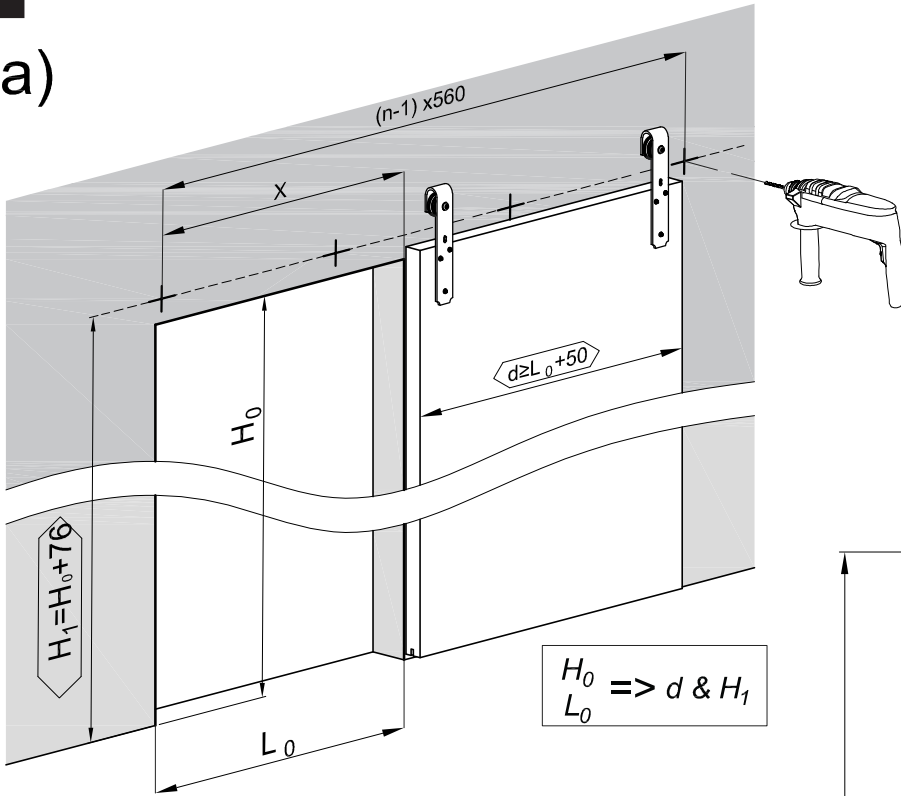
St5x40

x6

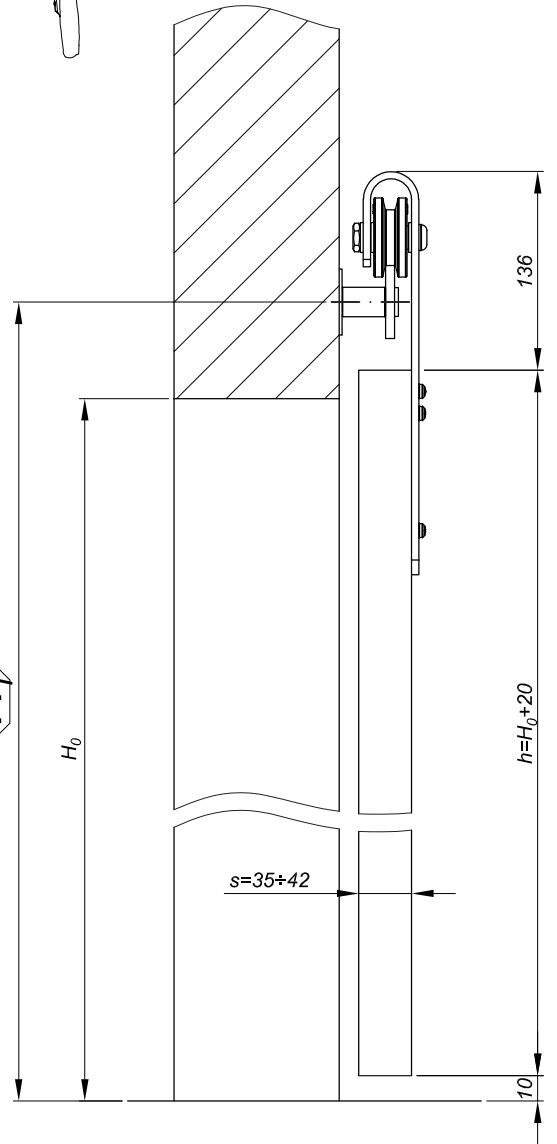


1

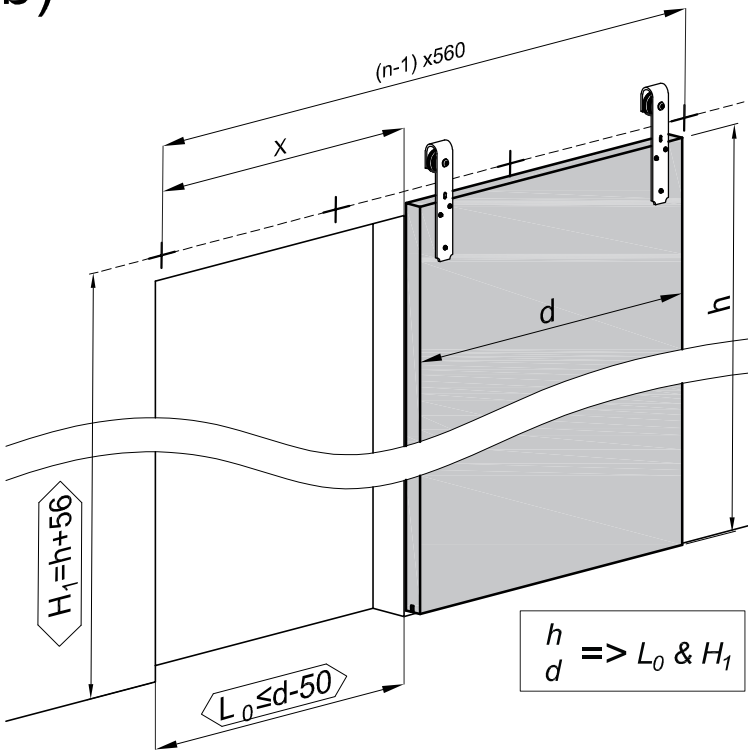
a)




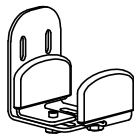
L _{Track} [mm]	1950	2400
X [mm]	840	1120
n	4	5



b)



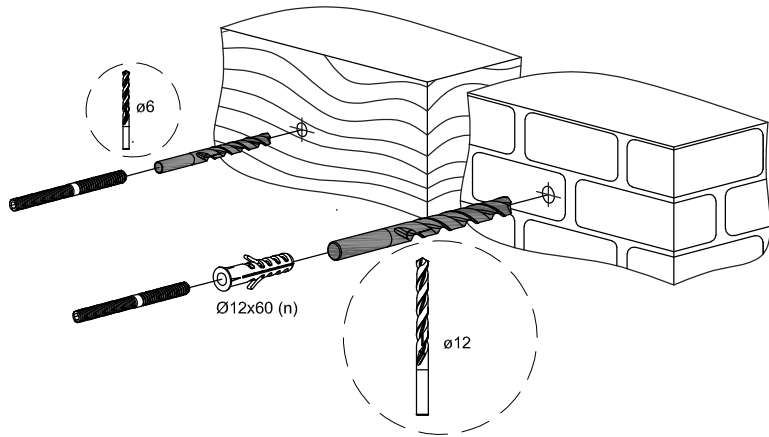
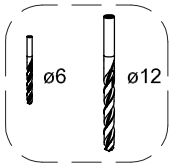
index

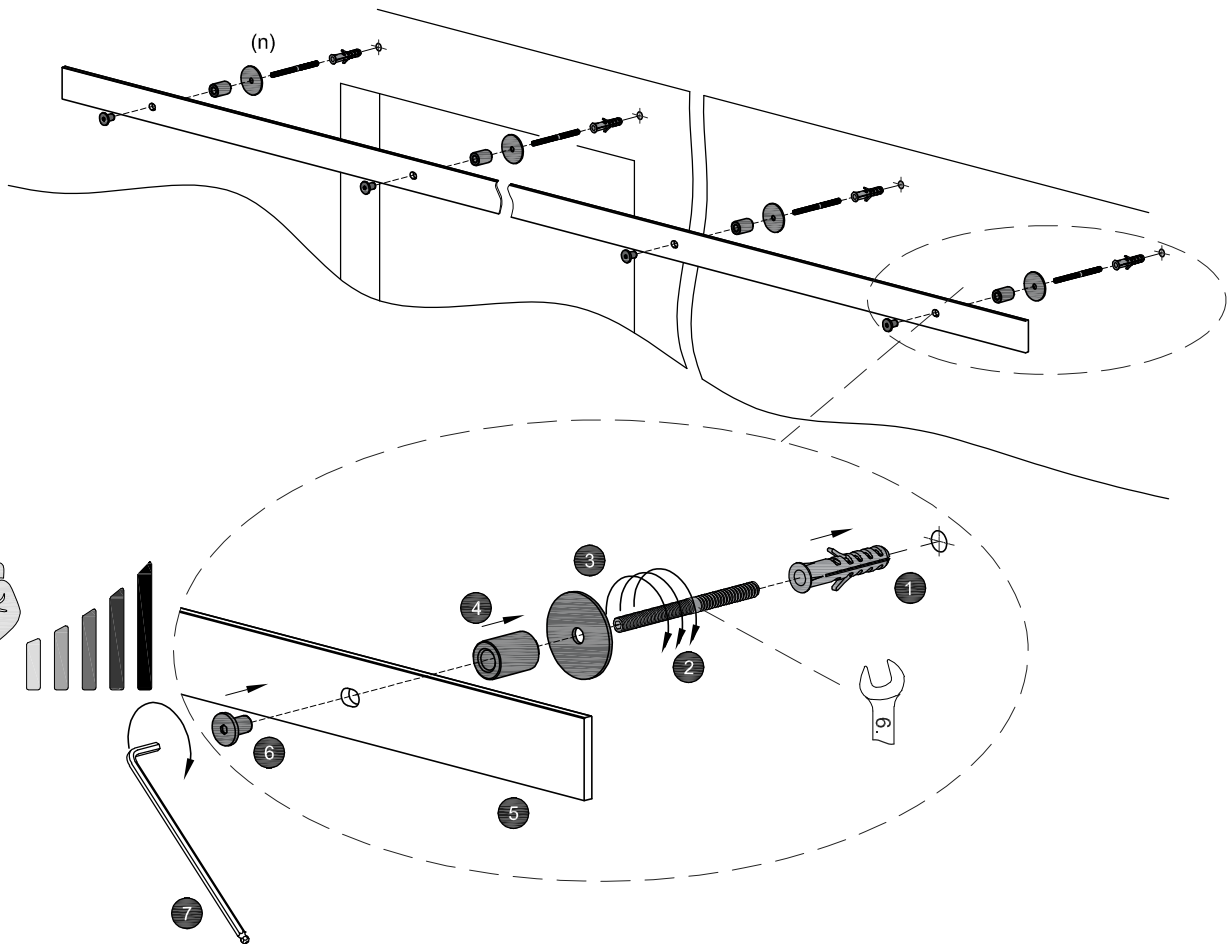
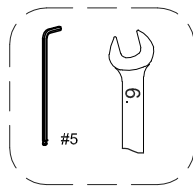
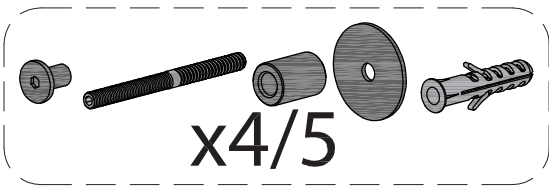
$H_1 = H_0 + 81$
 $H_1 = h + 61$



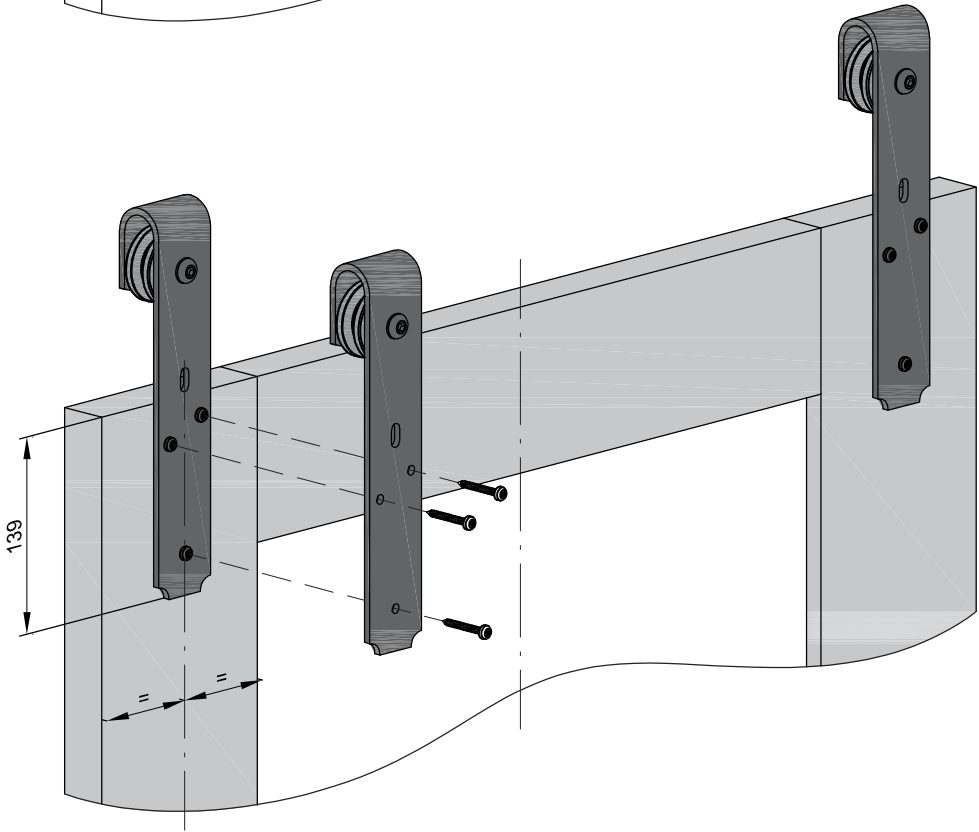
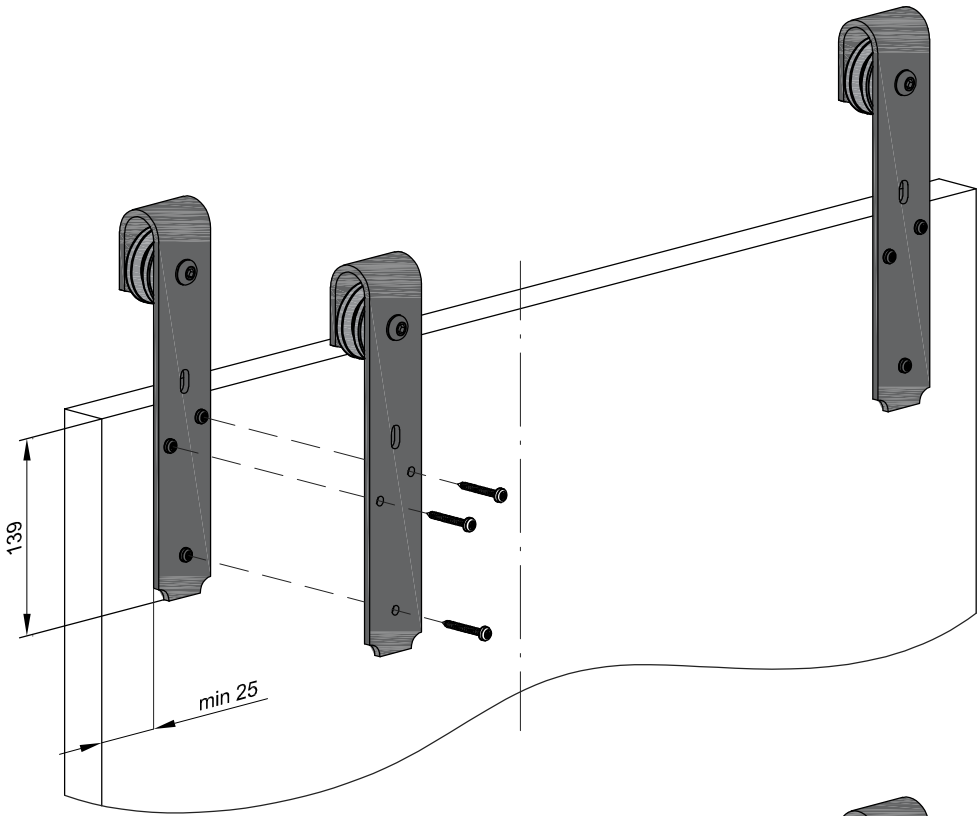
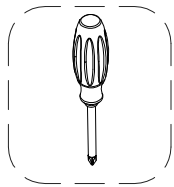
2



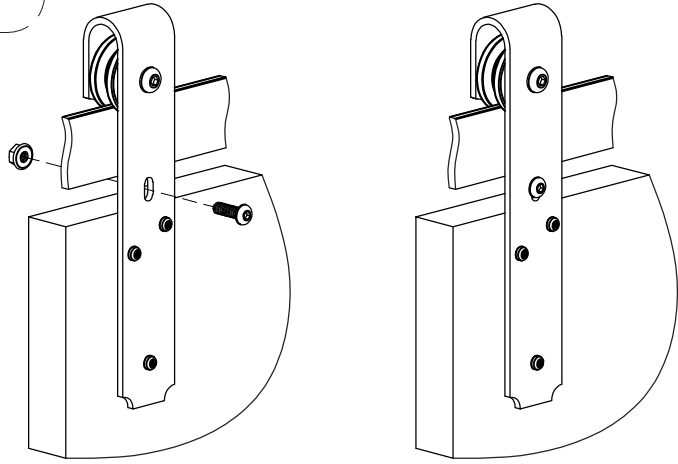
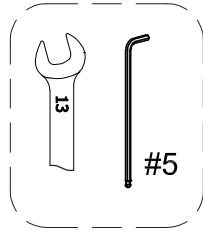
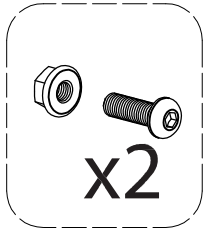
3



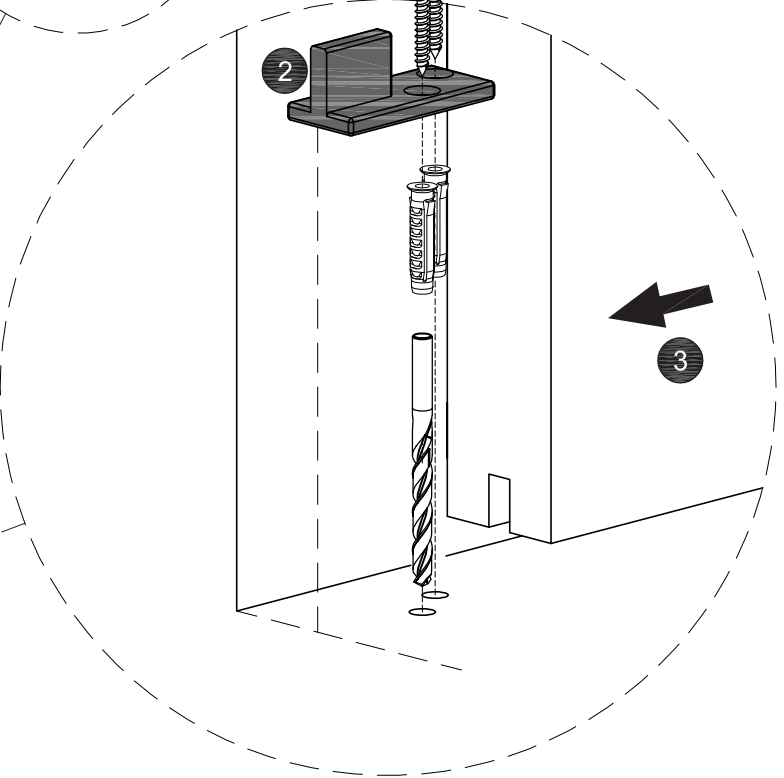
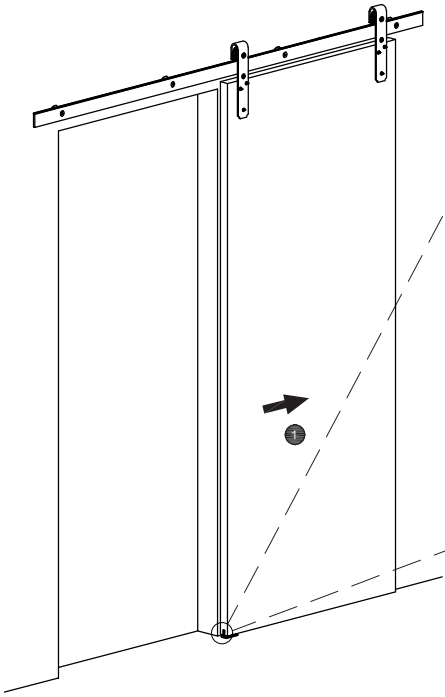
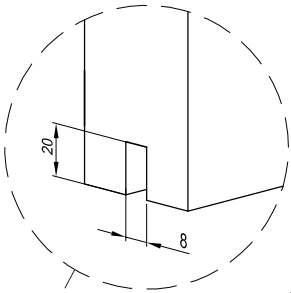
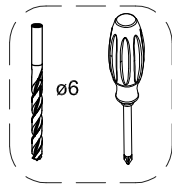
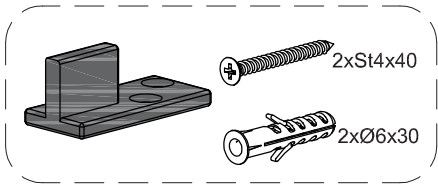
4



5



6



7

x2

