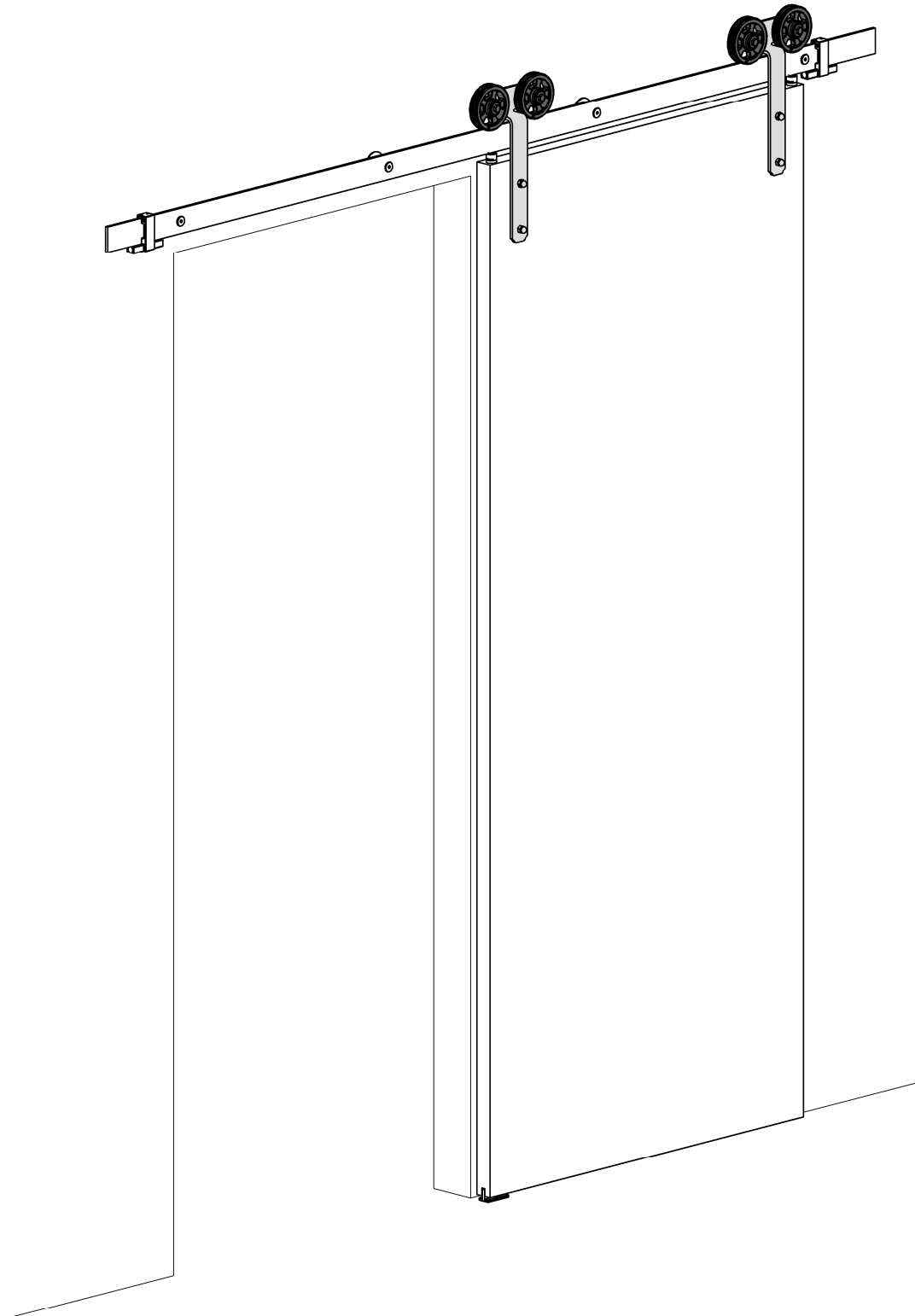
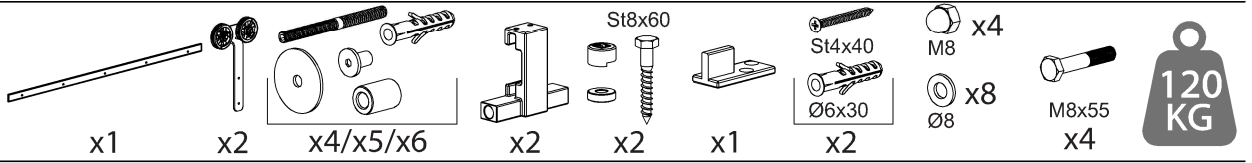


Loki | ROC DESIGN

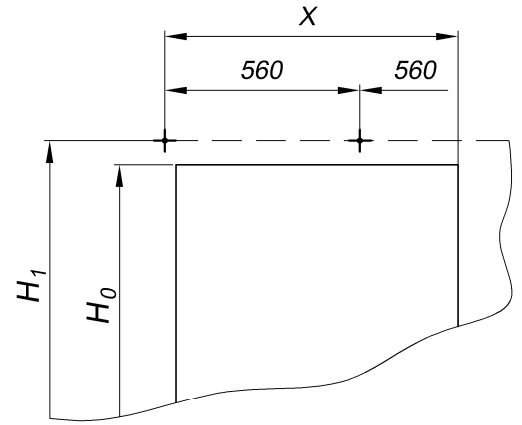
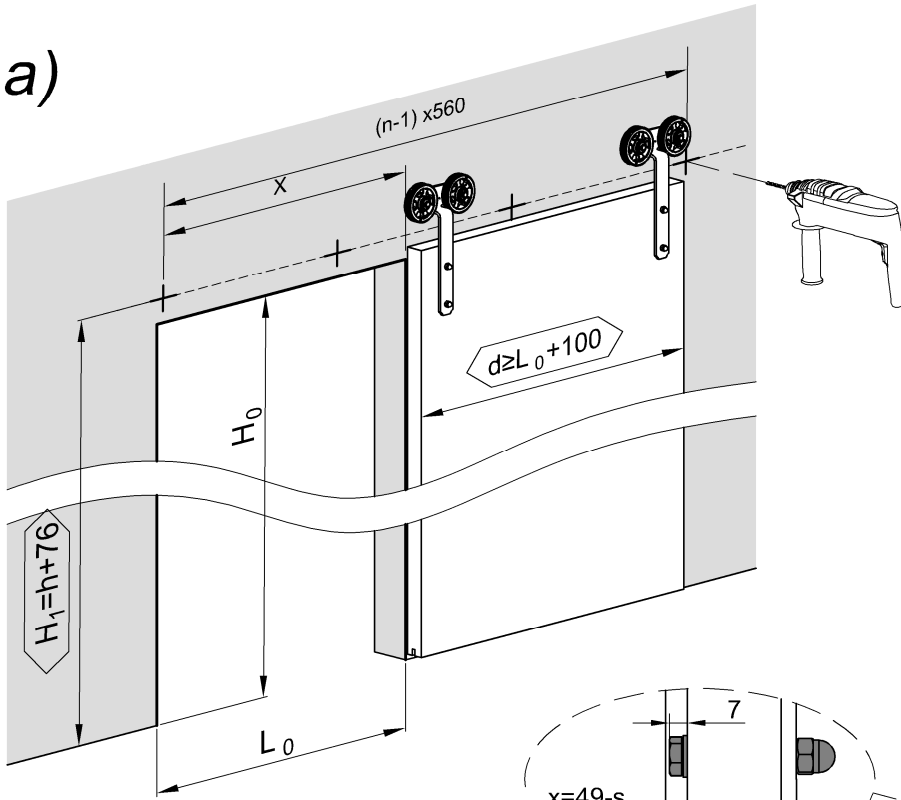
219-332, 219-342, 219-352, 219-362



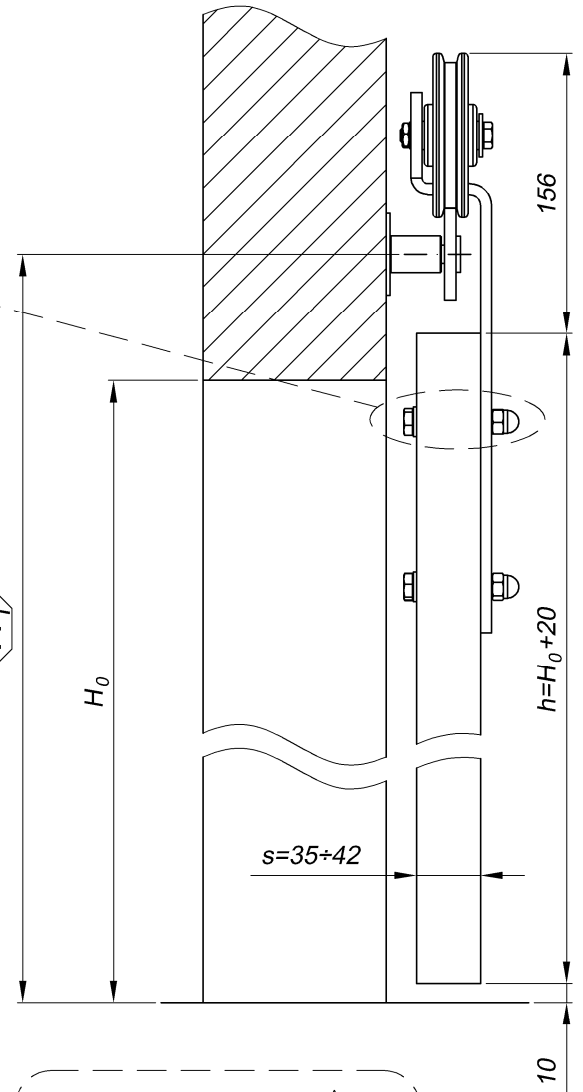
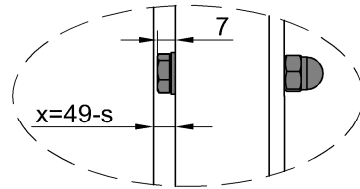
1

$$\begin{matrix} H_0 \\ L_0 \end{matrix} \Rightarrow d \text{ \& \ } H_1$$

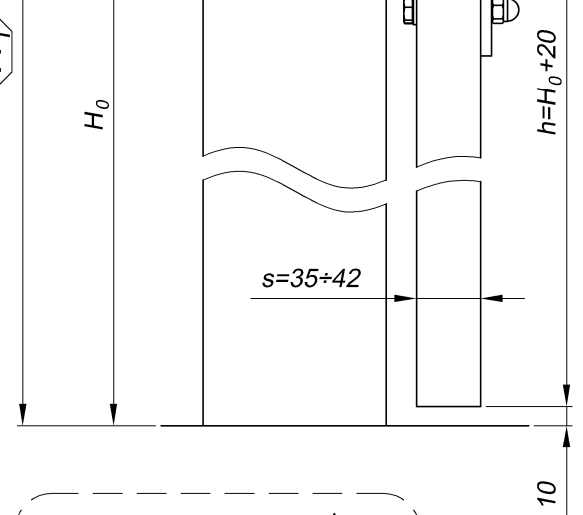
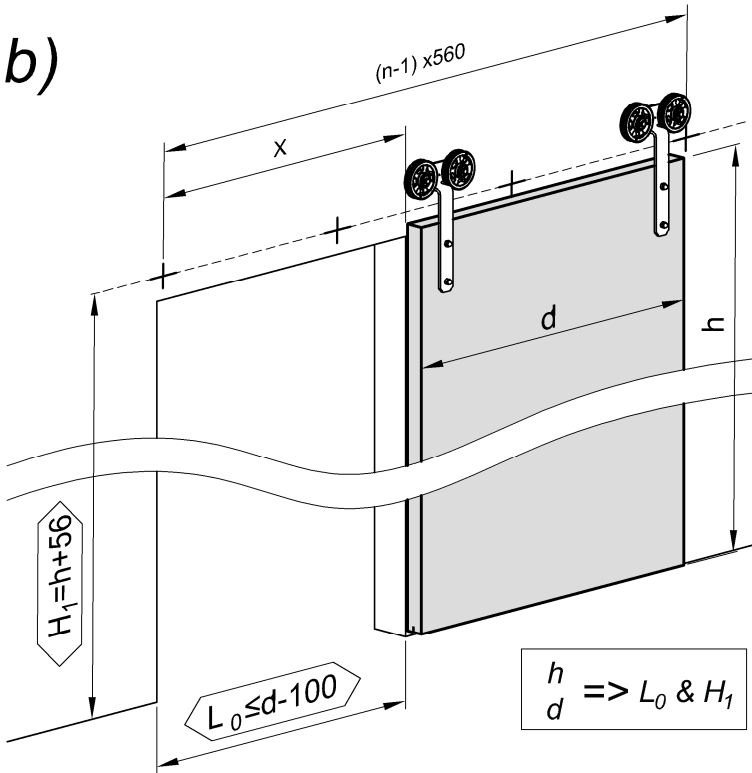
a)



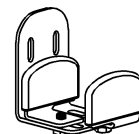
L_{Track} [mm]	1950	2400	3000
X [mm]	840	1120	1400
n [szt]	4	5	6



b)



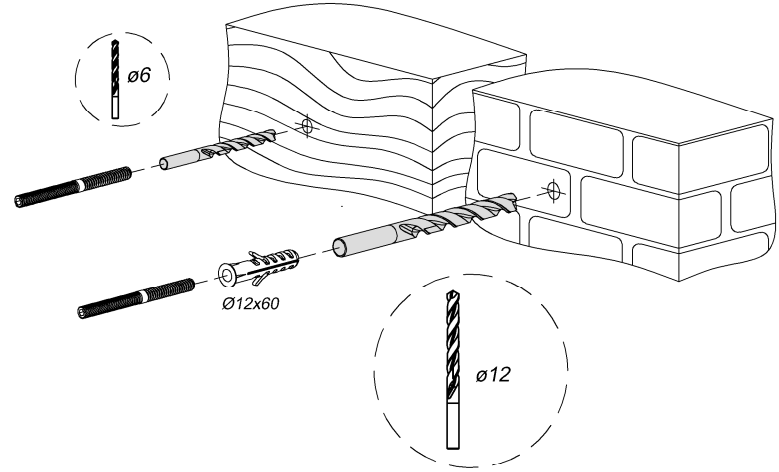
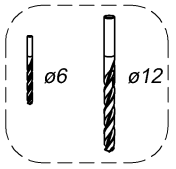
216-110
216-111



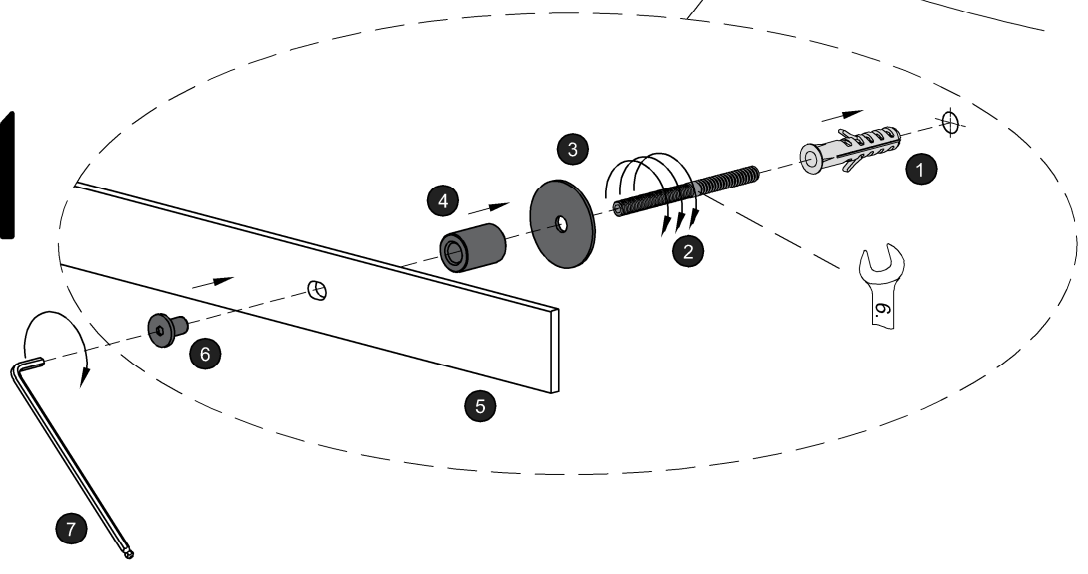
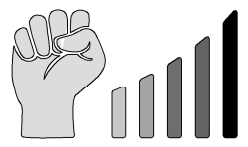
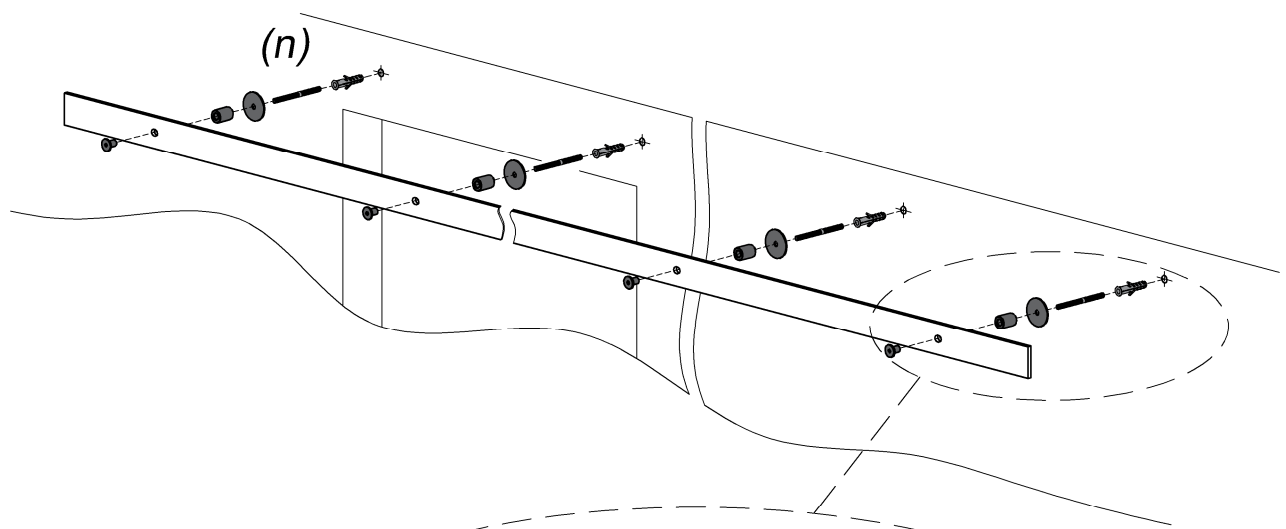
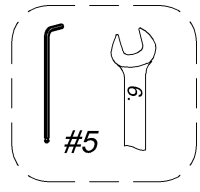
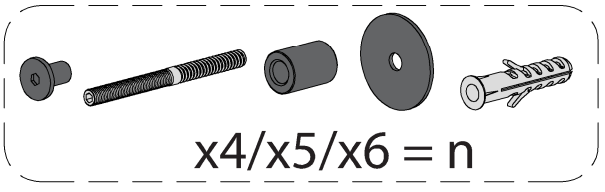
$$\begin{matrix} H_1 = H_0 + 81 \\ H_1 = h + 61 \end{matrix}$$



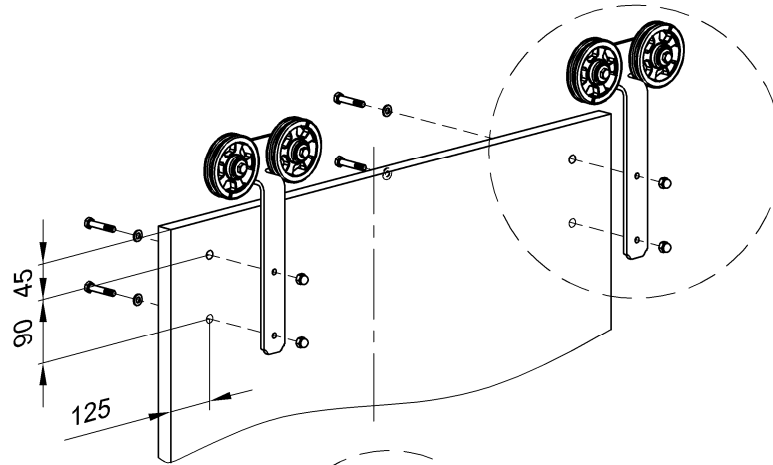
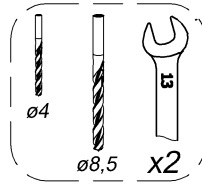
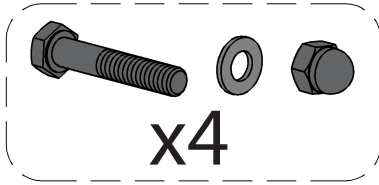
2



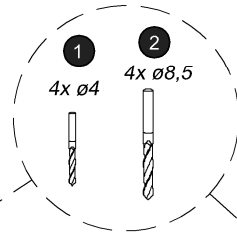
3



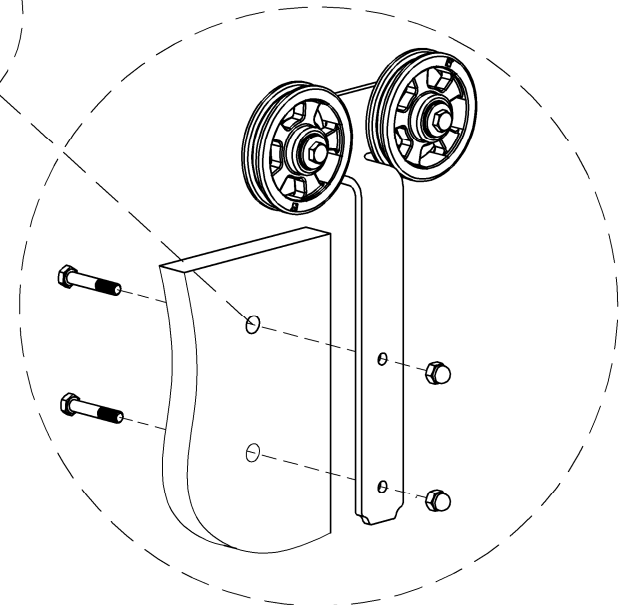
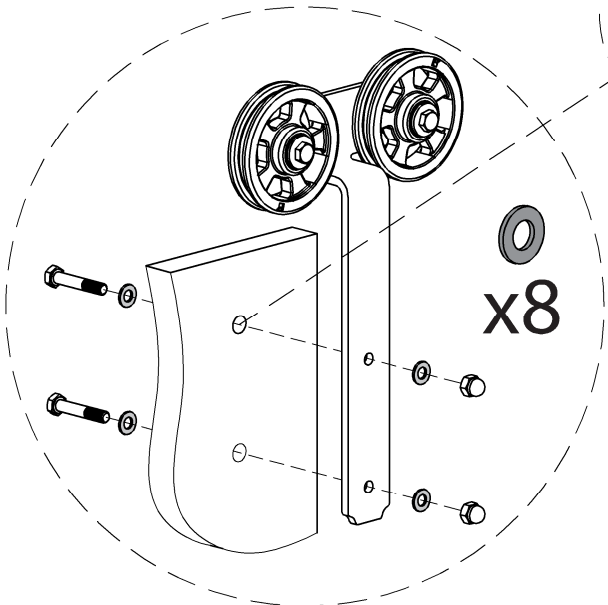
4



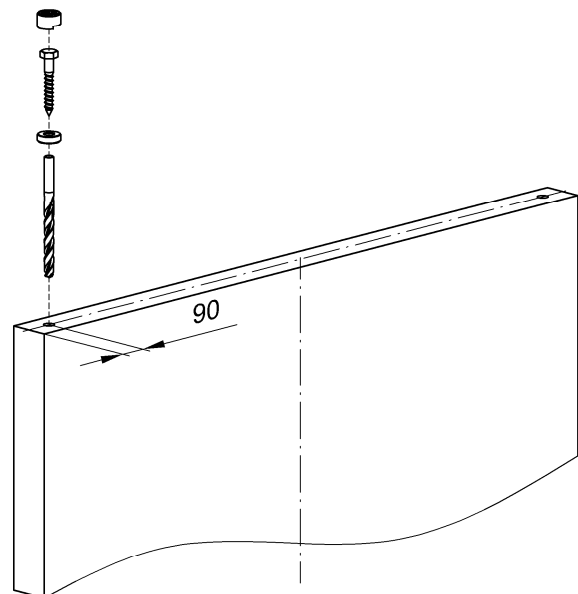
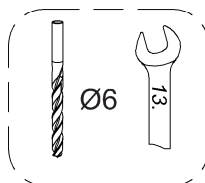
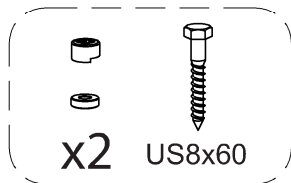
! 35 < s < 38



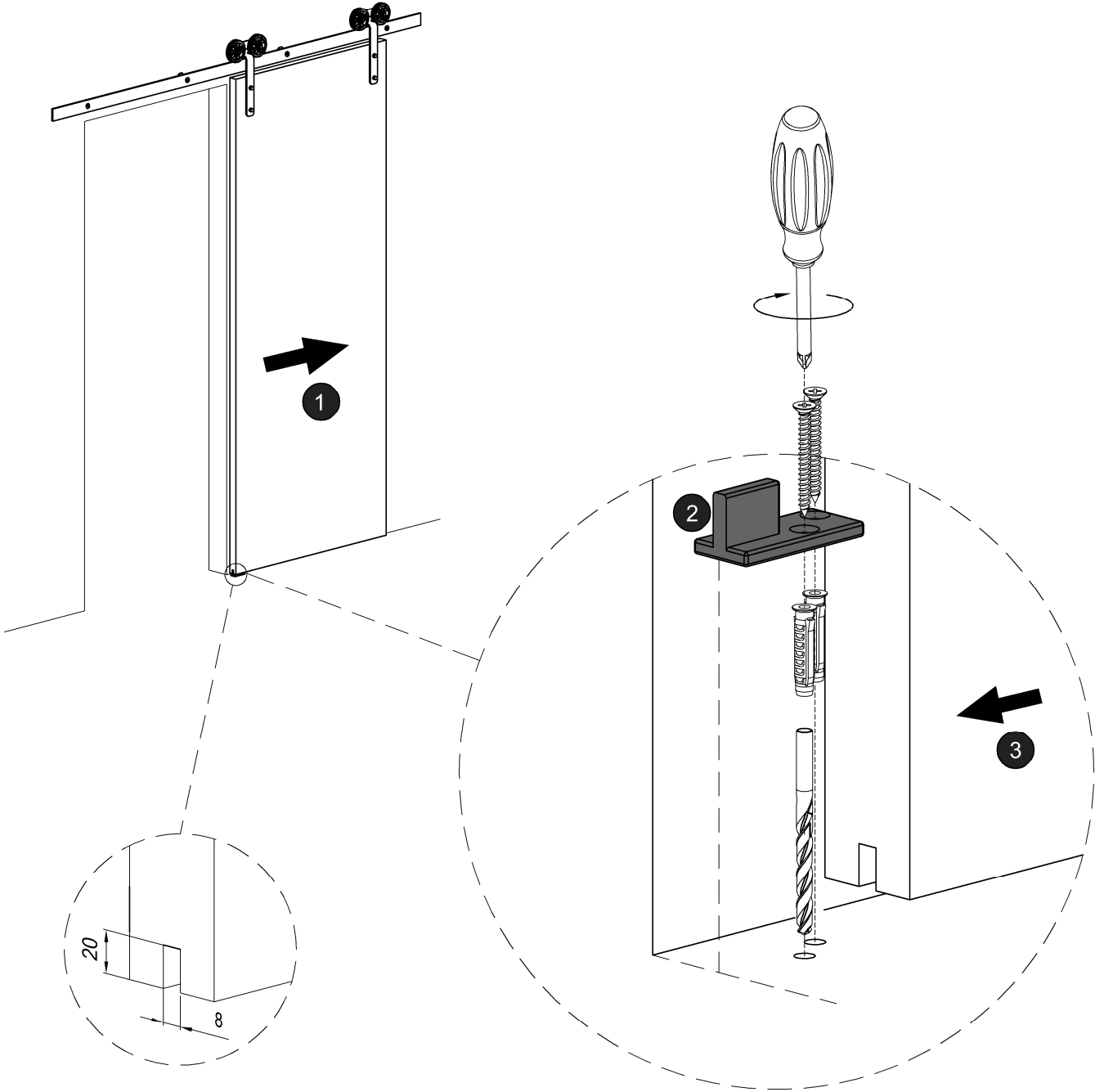
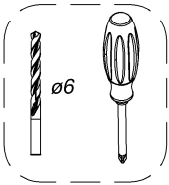
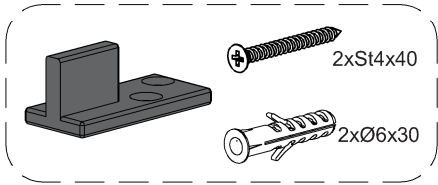
38 ≤ s < 42



5

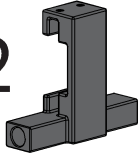


6



7

x2



#2

