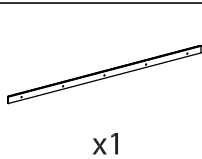


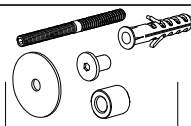
Magni| ROC DESIGN index



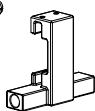
x1



x2



x4/x5



x2



x2



x1



St4x40



Ø6x30

x2



M8



Ø8

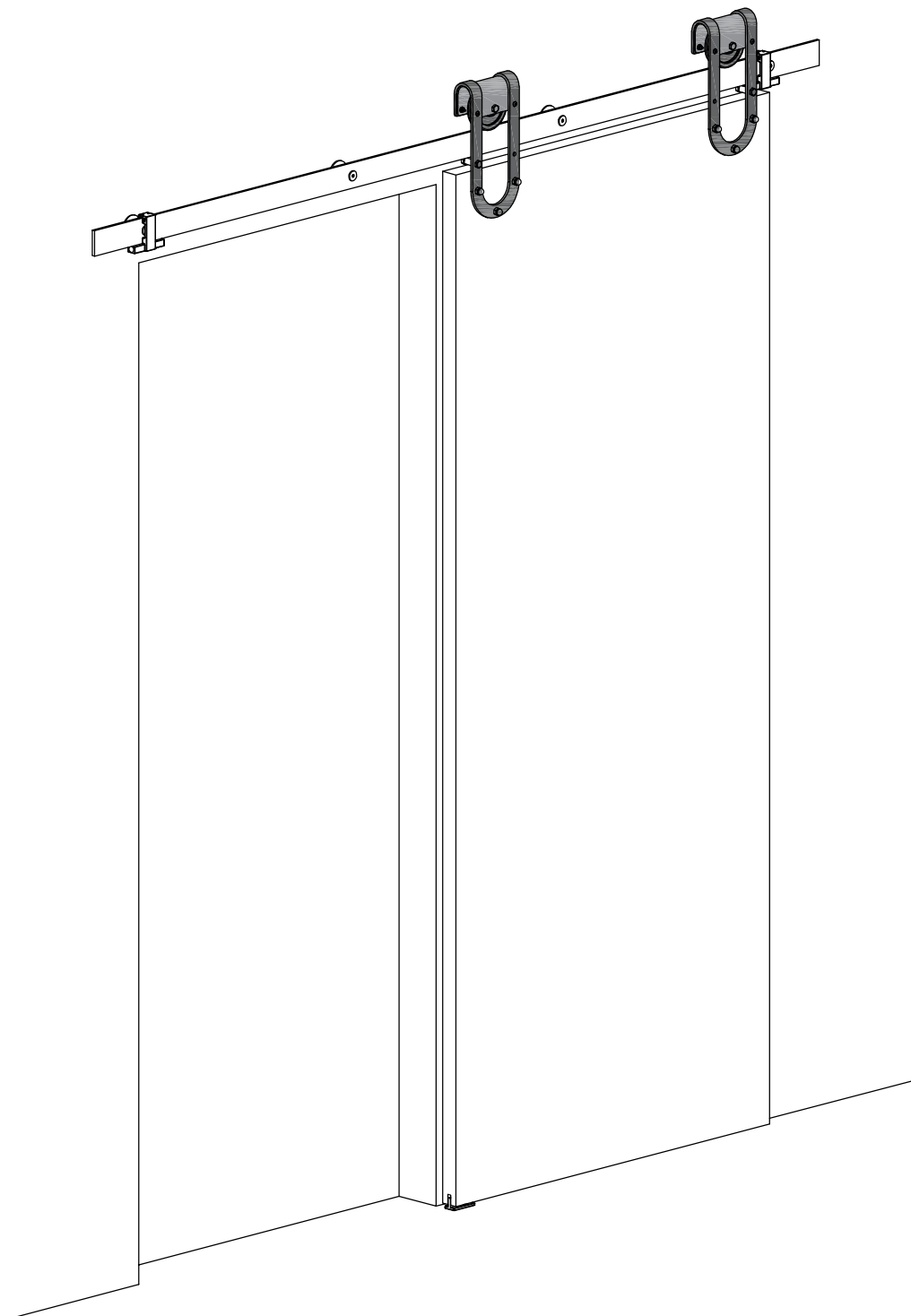
x12

x6



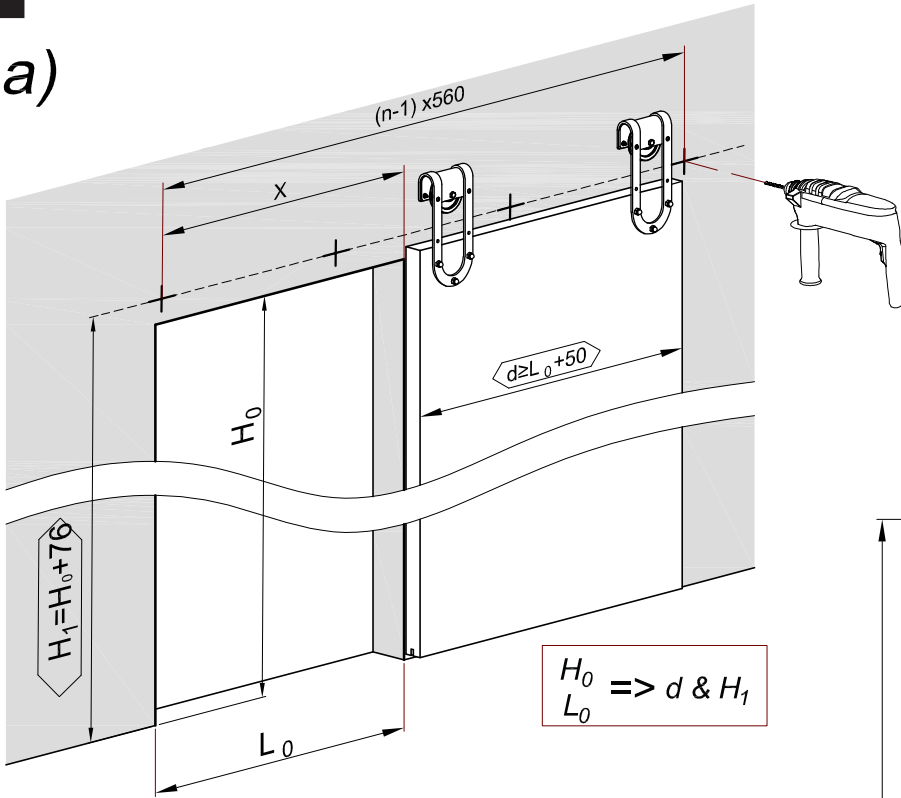
M8x55

x6



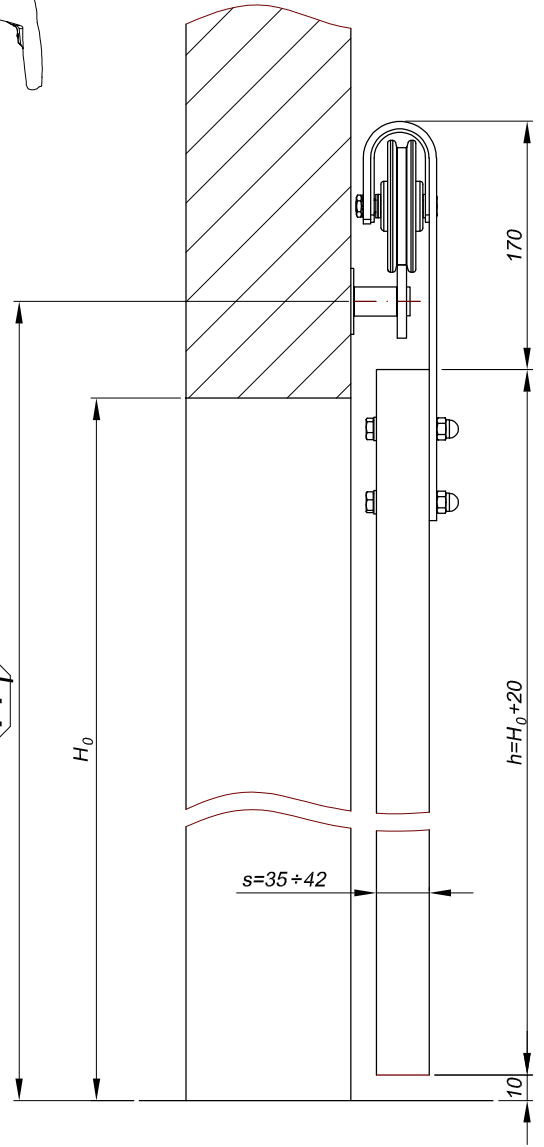
1

a)



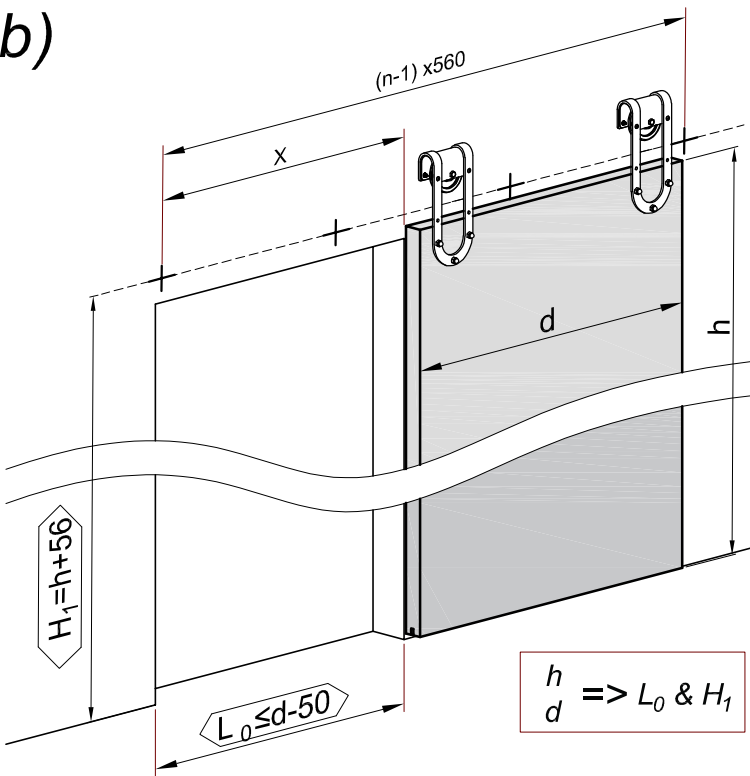
$H_0 \Rightarrow d \ \& \ H_1$

L_{Track} [mm]	1950	2400
X [mm]	840	1120
n	4	5




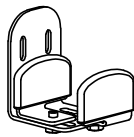
$H_1 = H_0 + 20$

b)



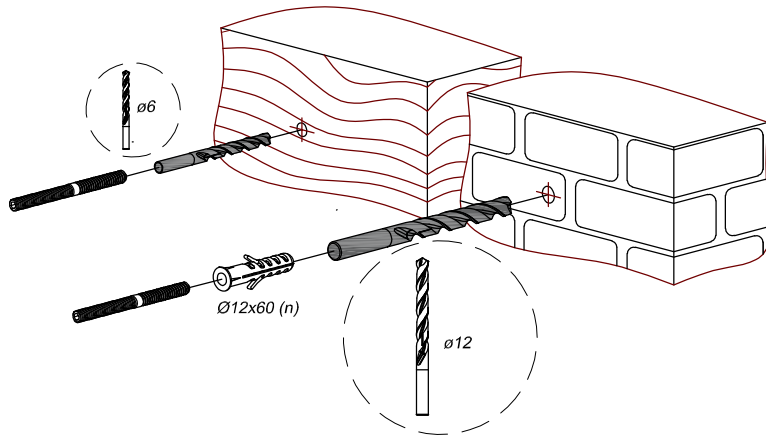
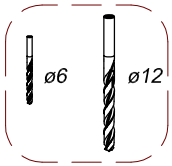
$h \Rightarrow L_0 \ \& \ H_1$

index 

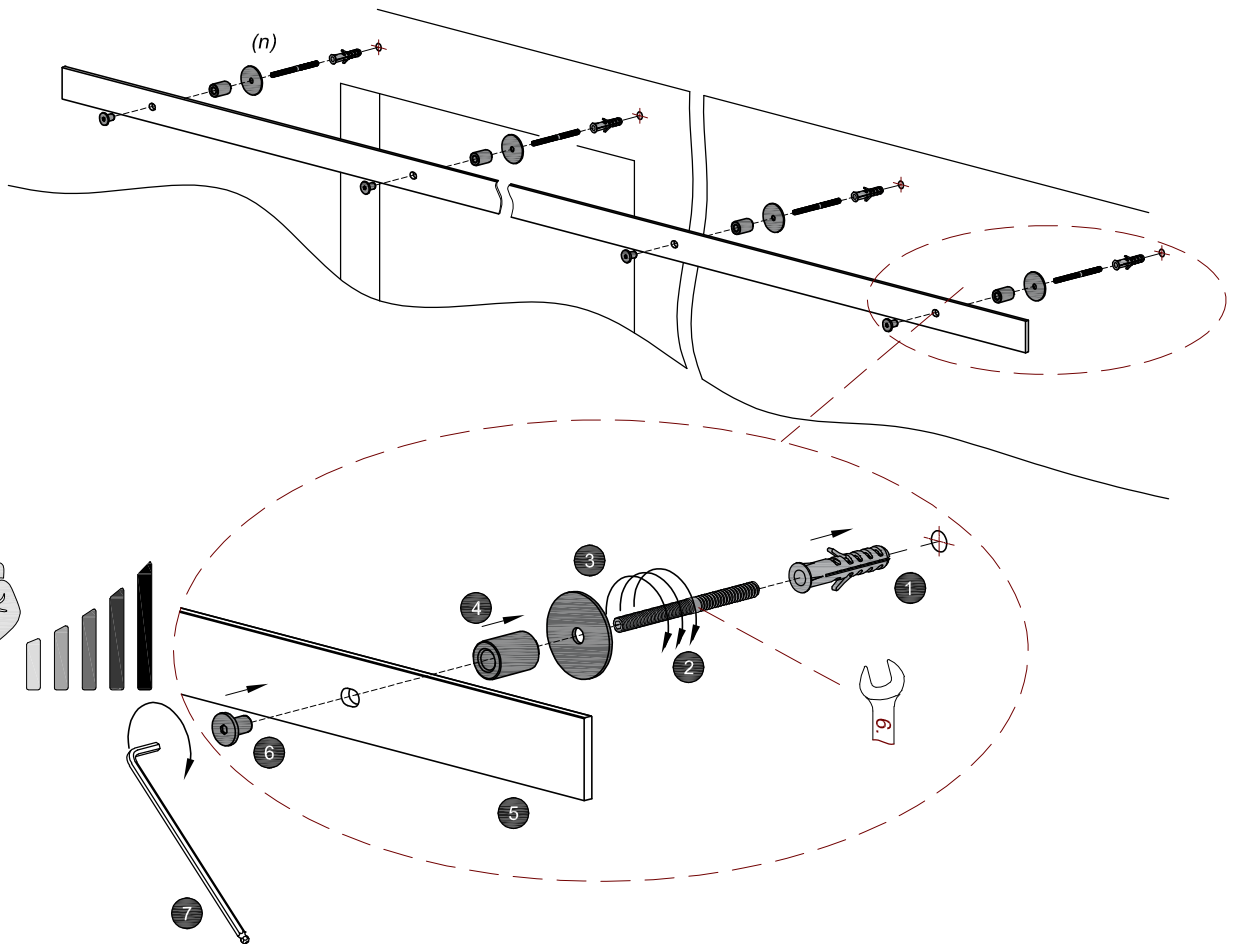
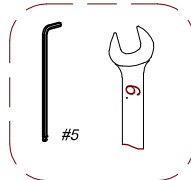
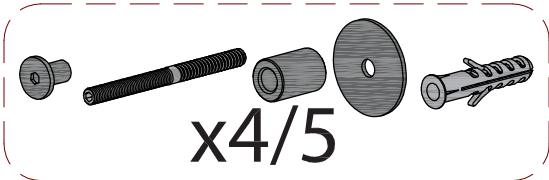
 $H_1 = H_0 + 81$
 $H_1 = h + 61$



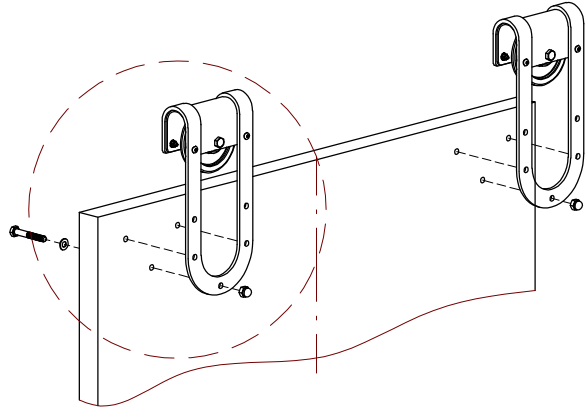
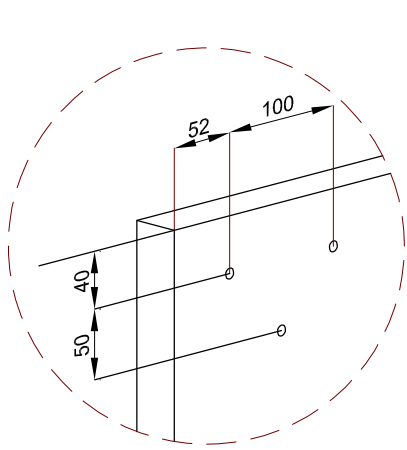
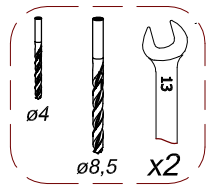
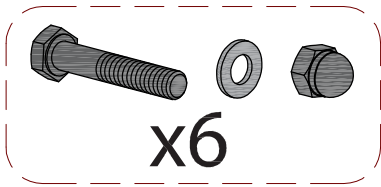
2



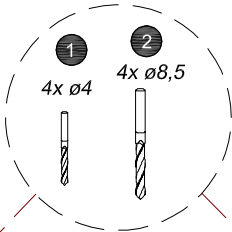
3



5

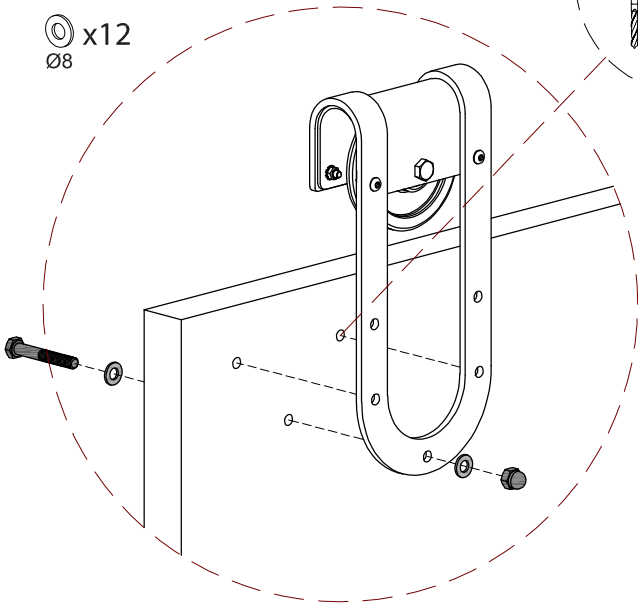


! $35 < s < 38$

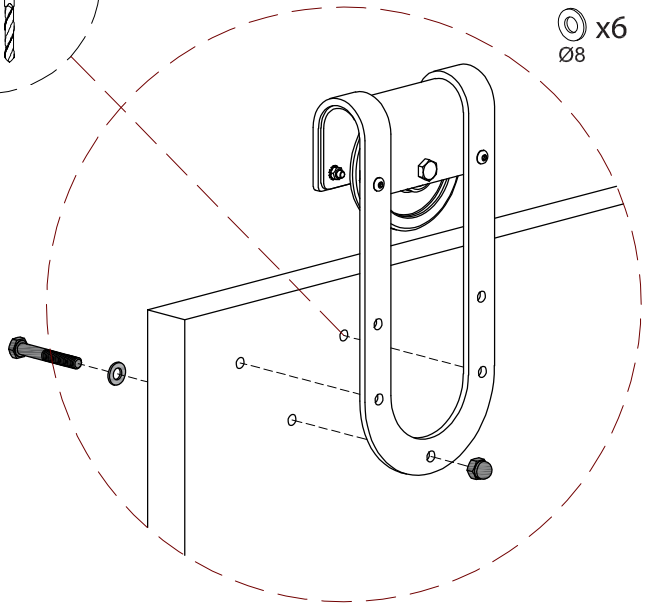


$38 \leq s < 42$

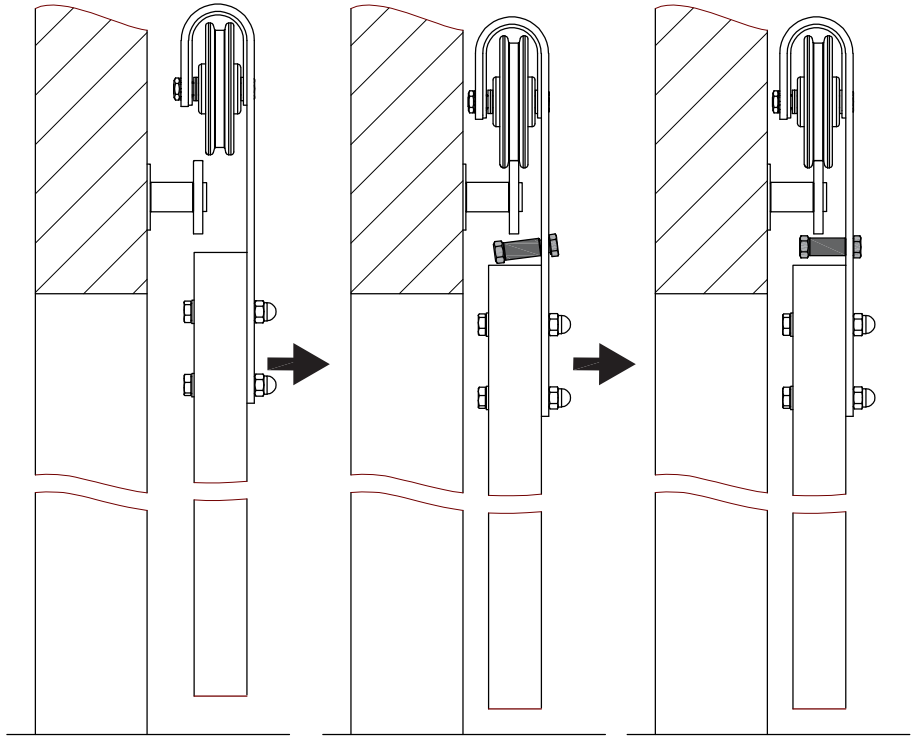
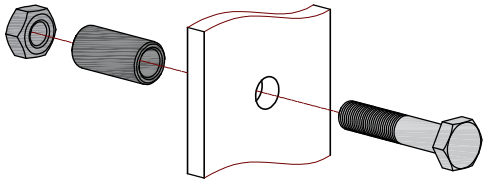
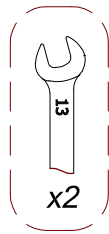
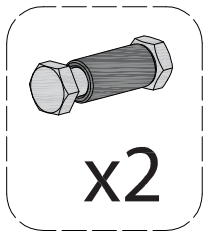
⊙ x12
ø8



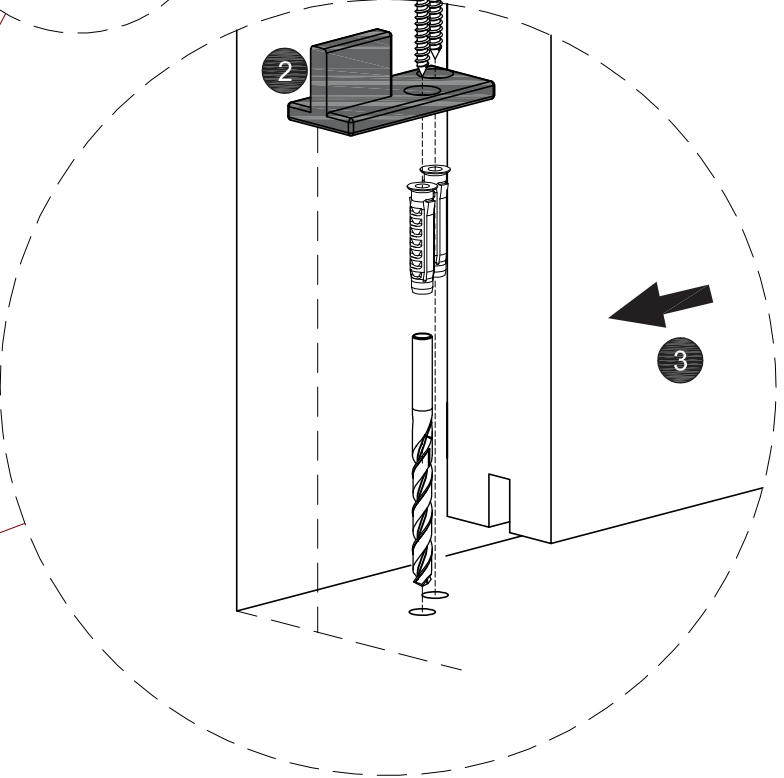
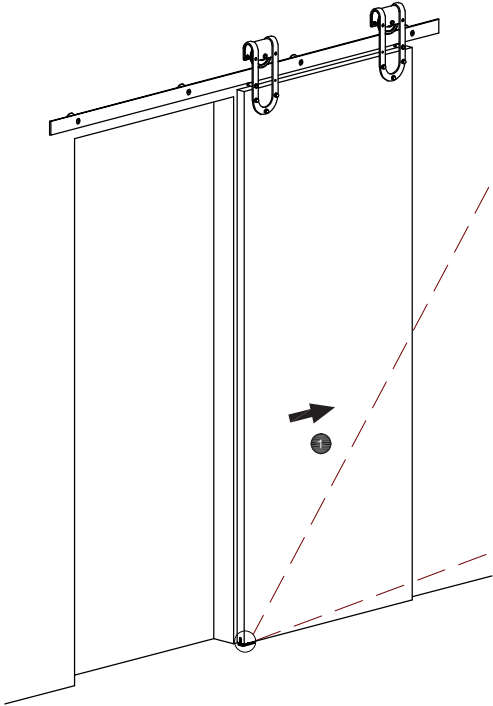
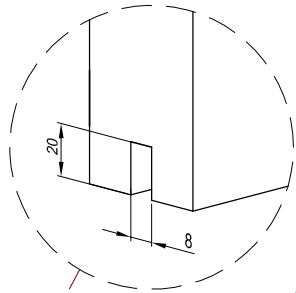
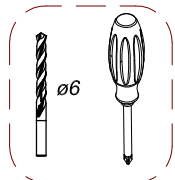
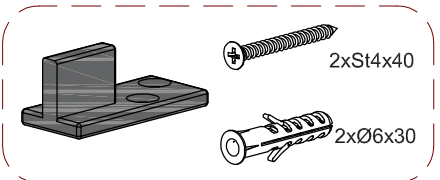
⊙ x6
ø8



5

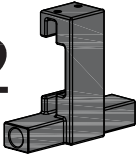


6



7

x2



#2

