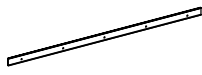


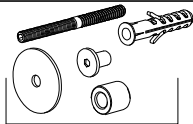
Ran | ROC DESIGN index



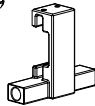
x1



x2



x4/x5



x2



x1



St4x40

Ø6x30

x2

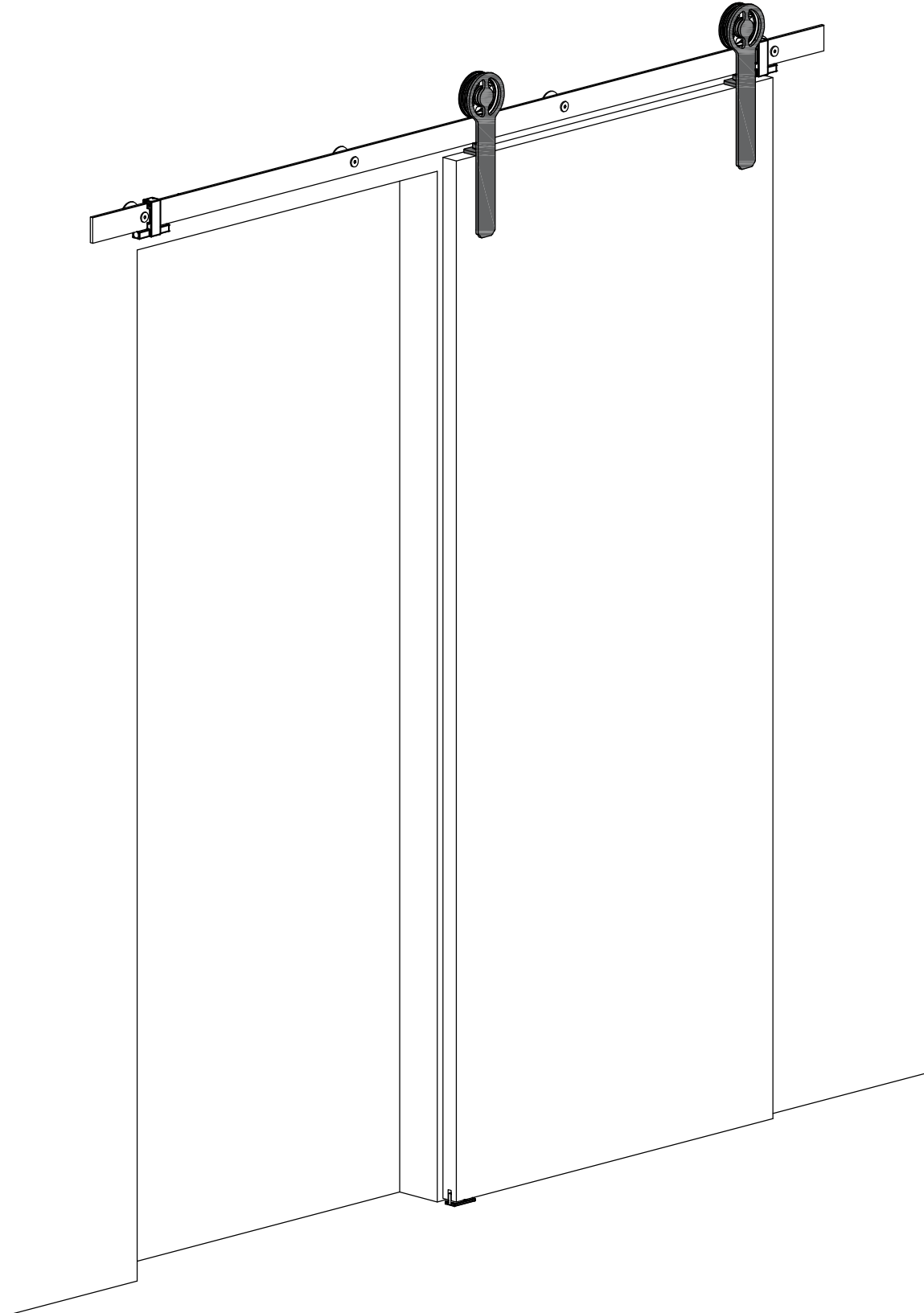


St8x60

x2

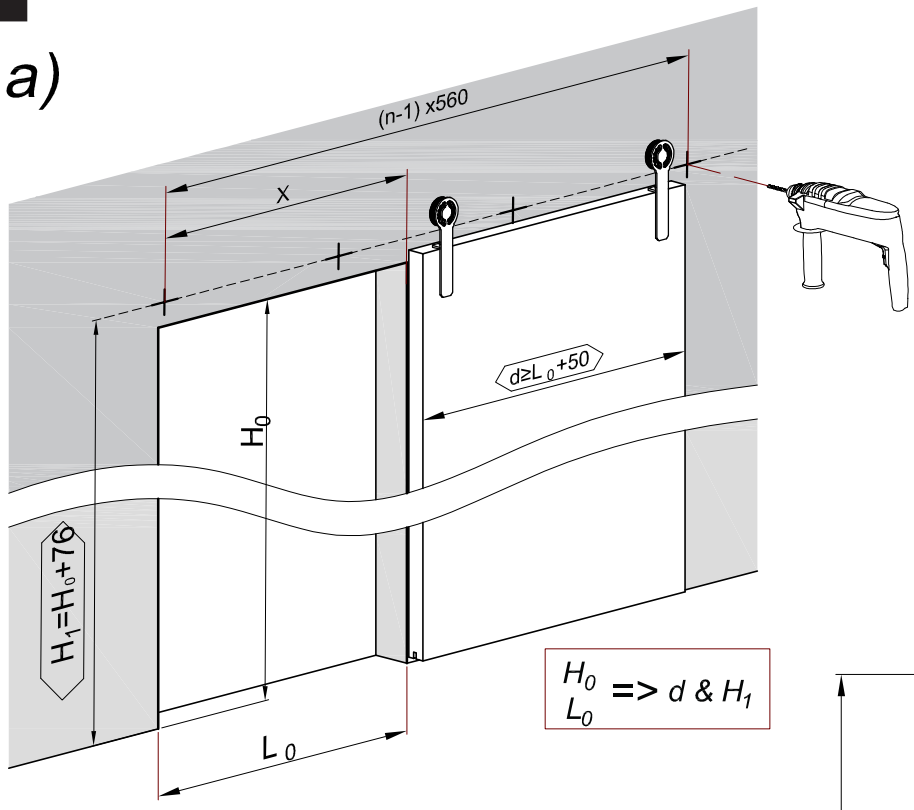


100
KG

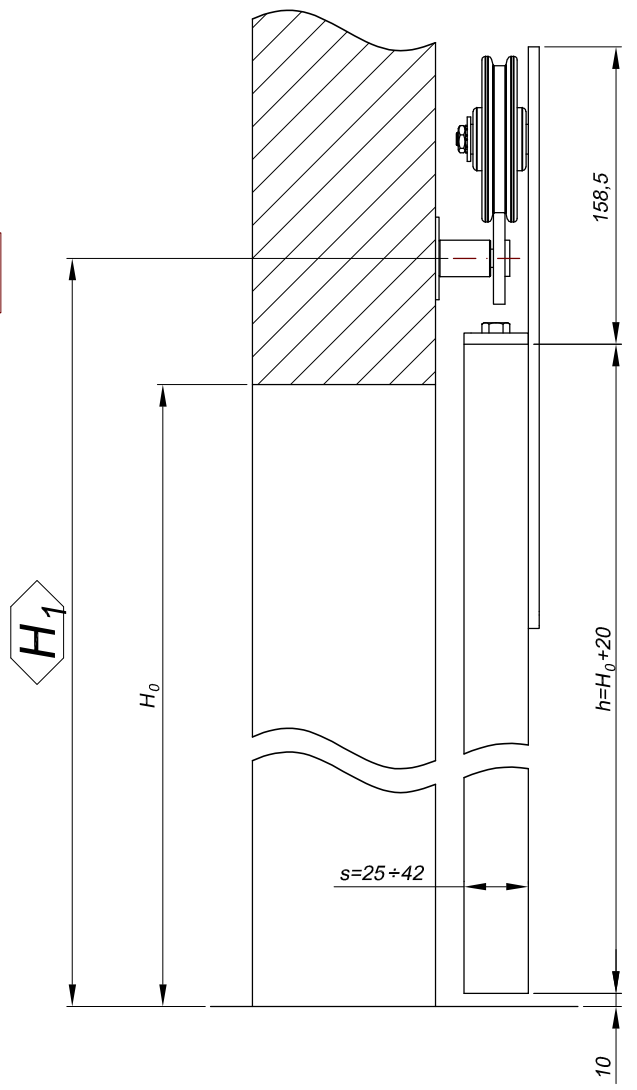


1

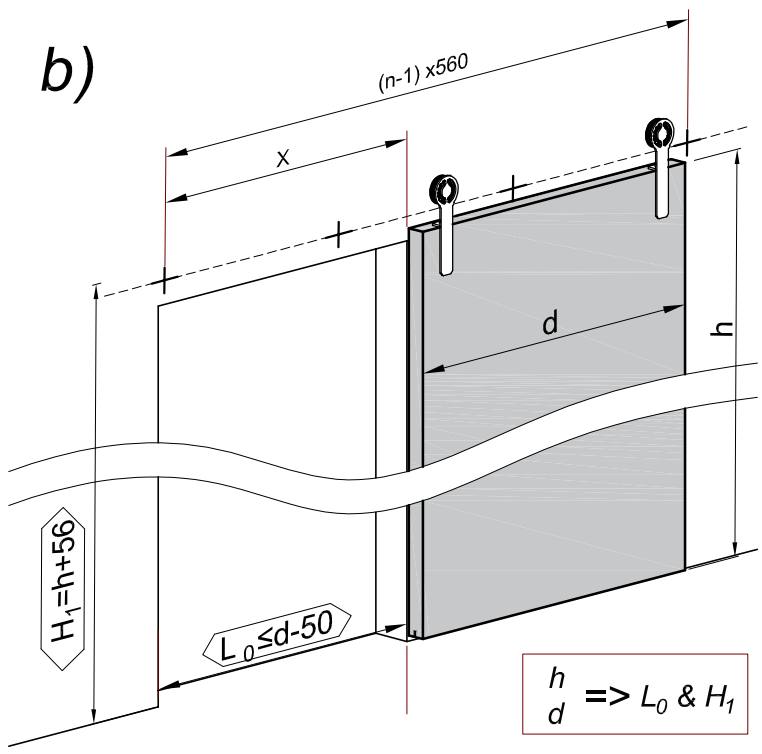
a)

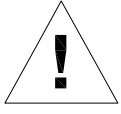



L_{Track} [mm]	1950	2400
X [mm]	840	1120
n	4	5



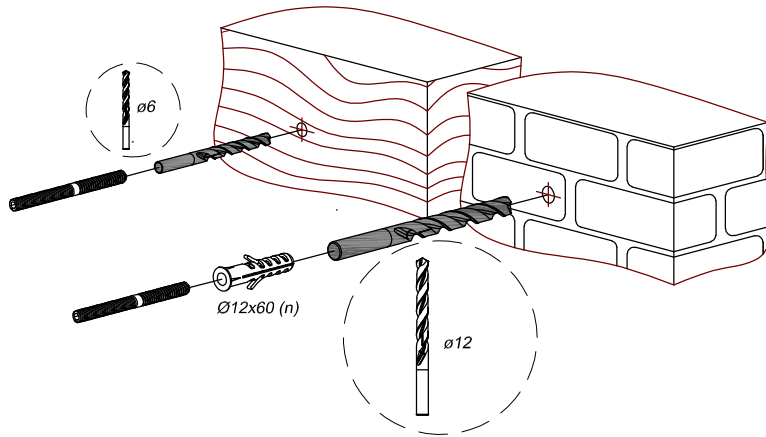
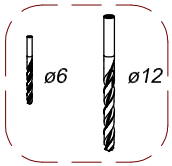
b)



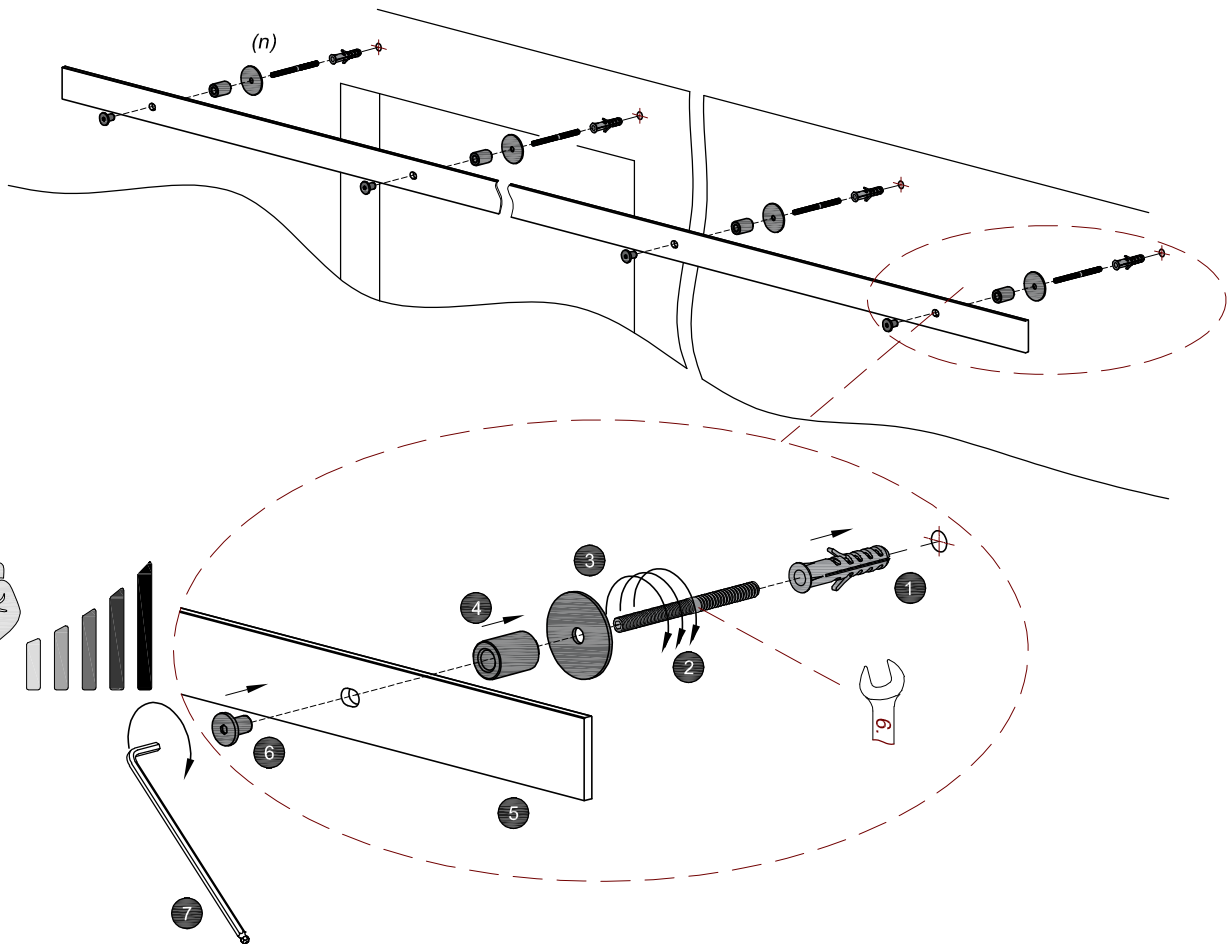
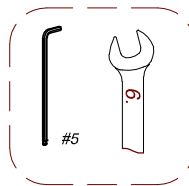
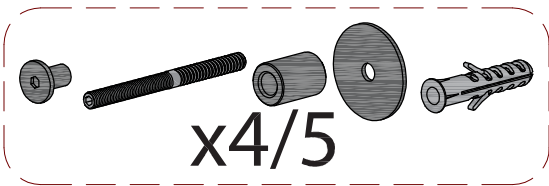
index 

 $H_1 = H_0 + 81$
 $H_1 = h + 61$

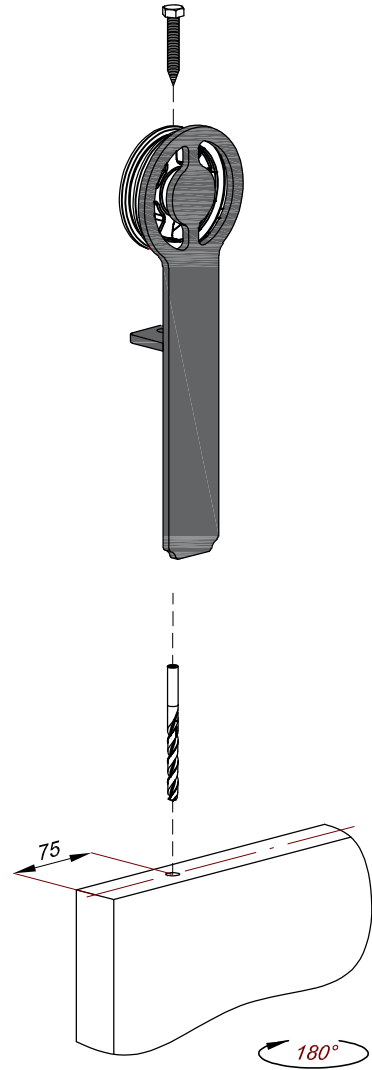
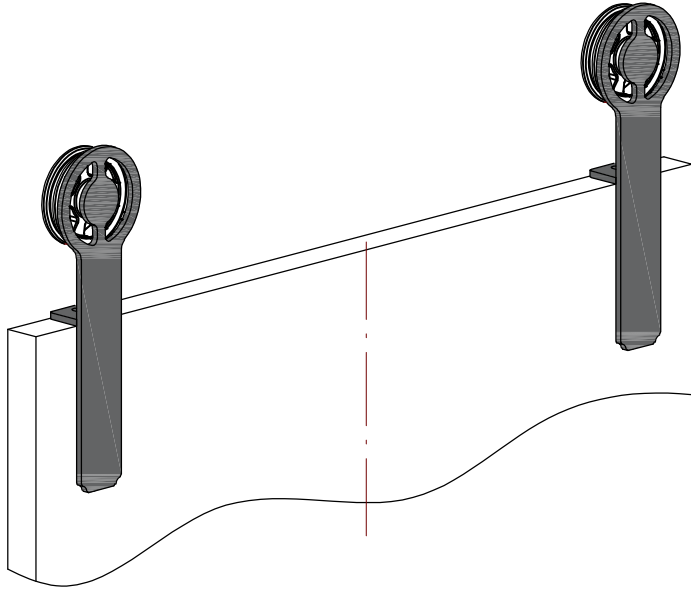
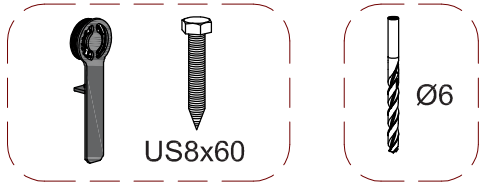
2



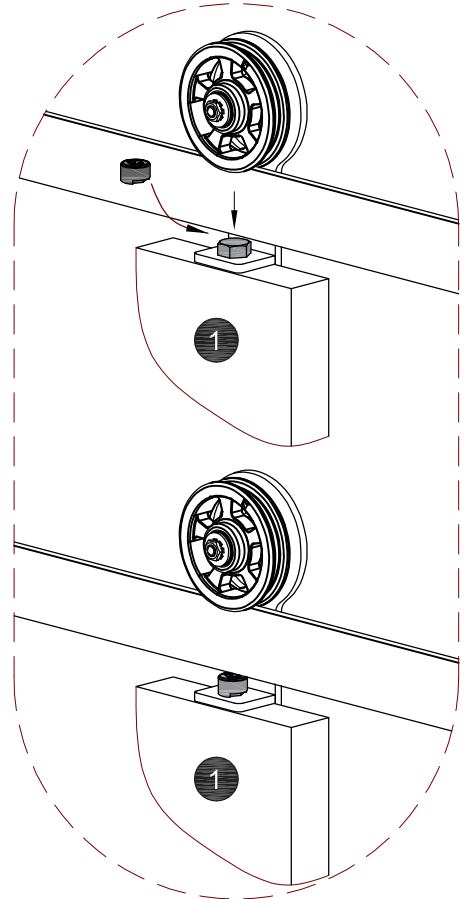
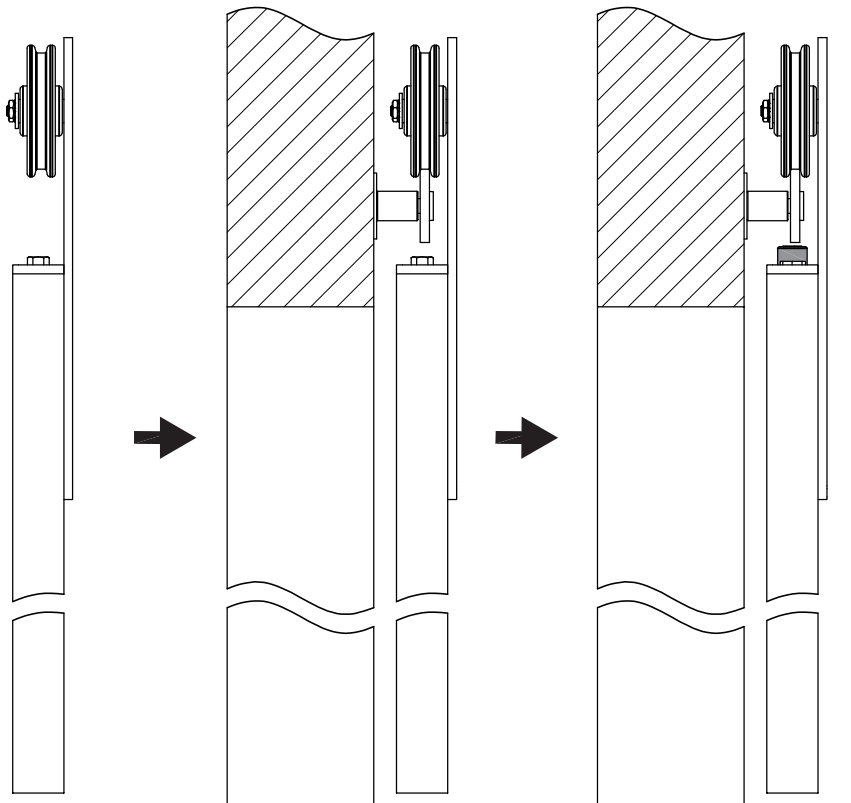
3



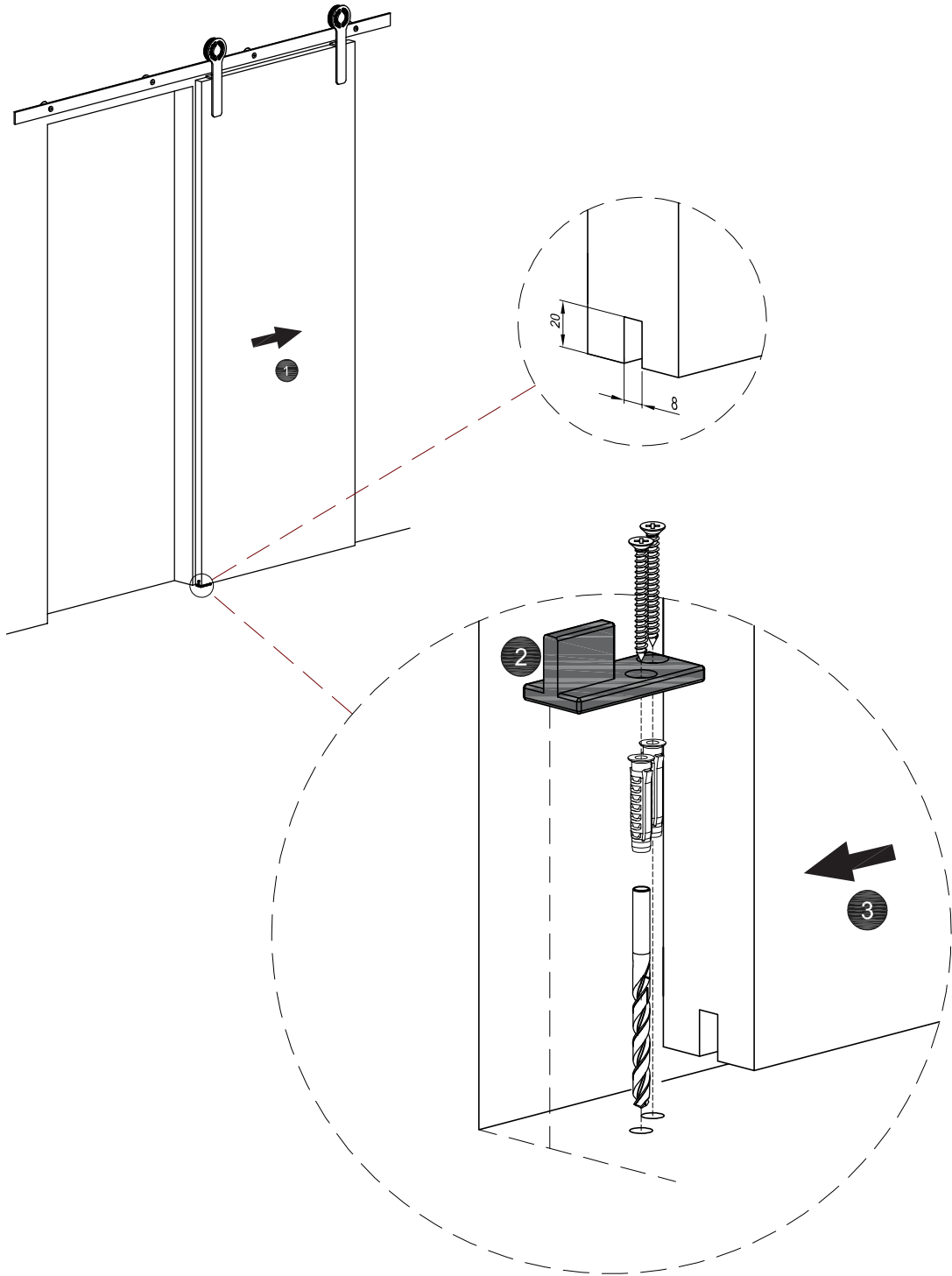
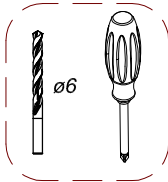
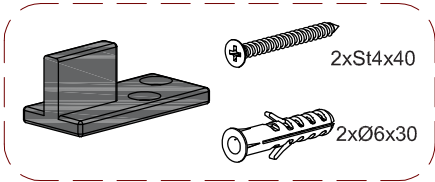
4



5

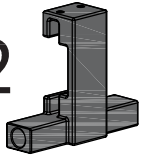


6

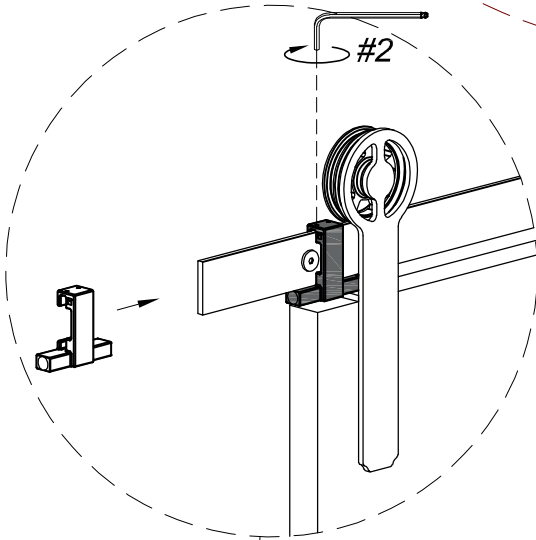
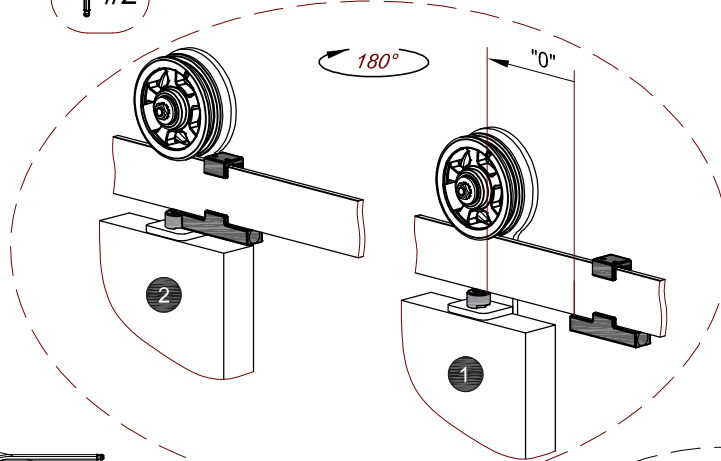
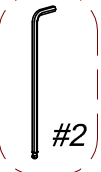


7

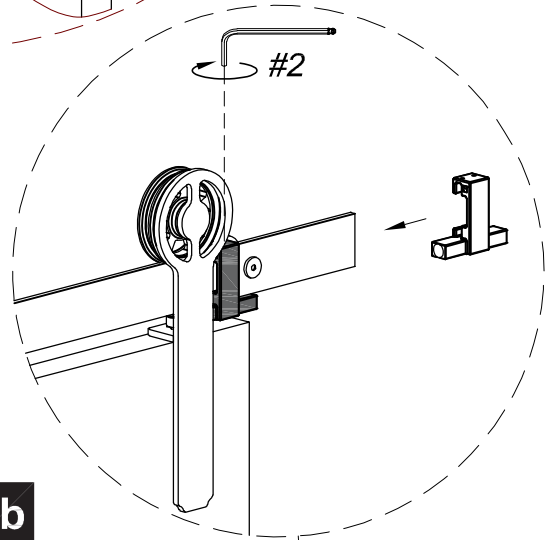
x2



#2



7a



7b

