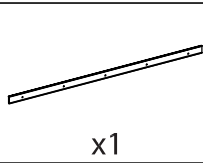


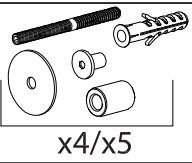
Thor glass | ROC DESIGN index



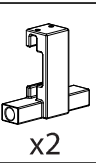
x1



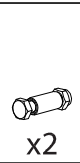
x2



x4/x5



x2



x2

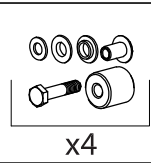


x1



St4x40
Ø6x30

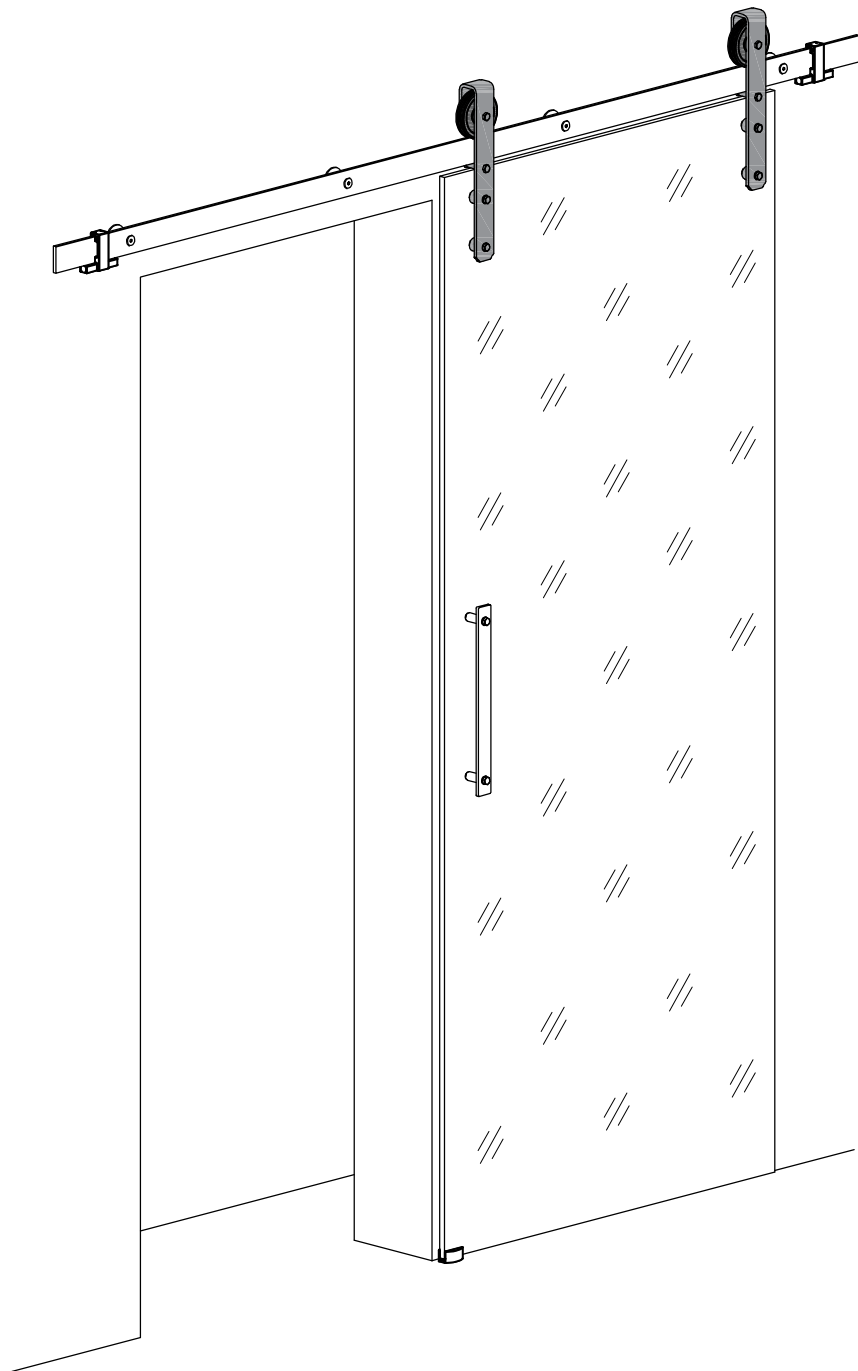
x2



x4

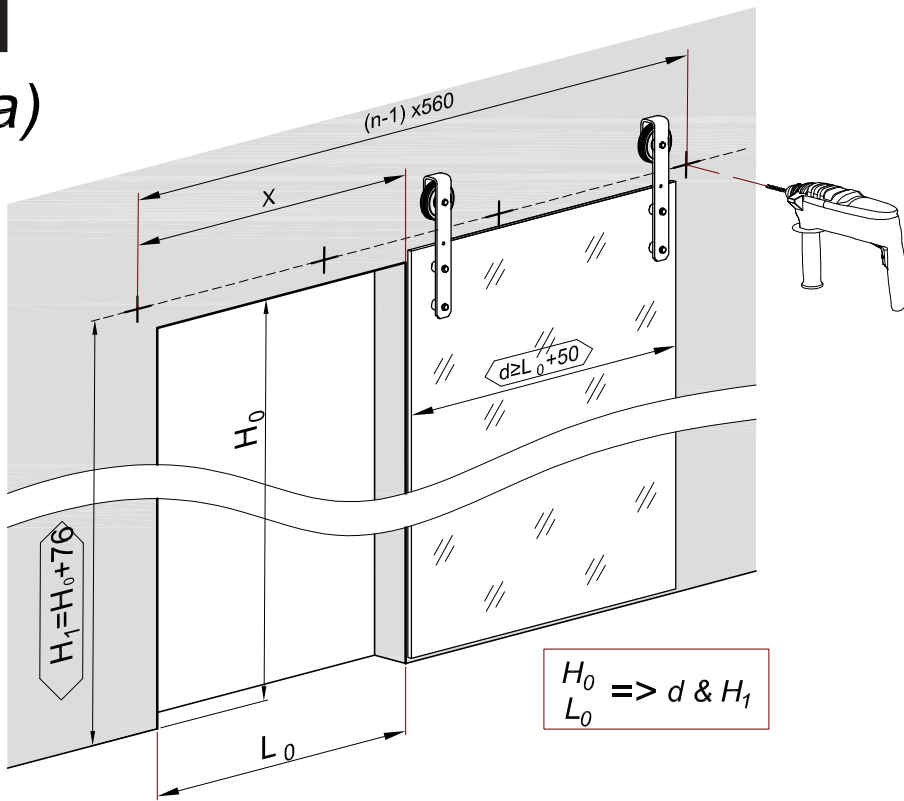


120
KG

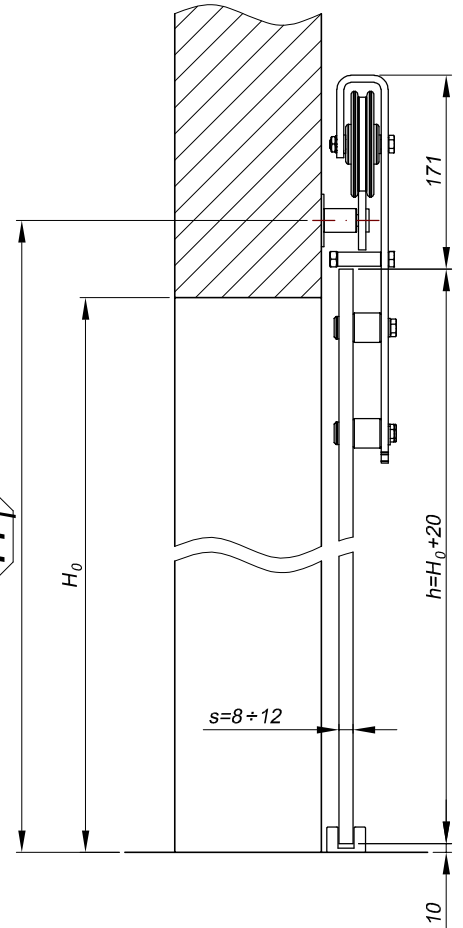


1

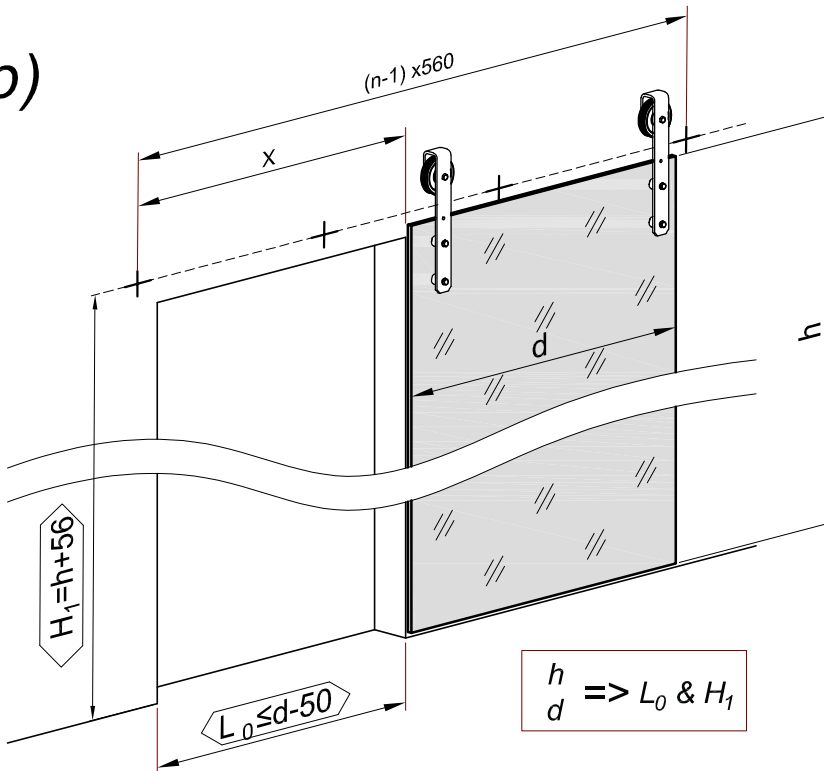
a)



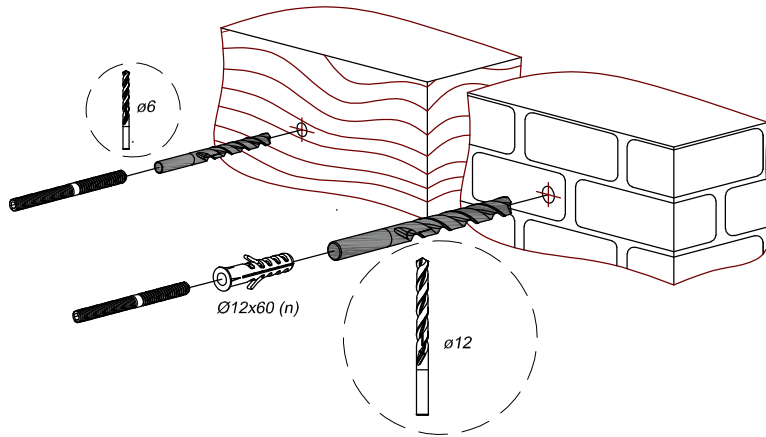
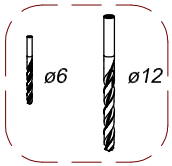
L_{Track} [mm]	1950	2400
X [mm]	840	1120
n	4	5



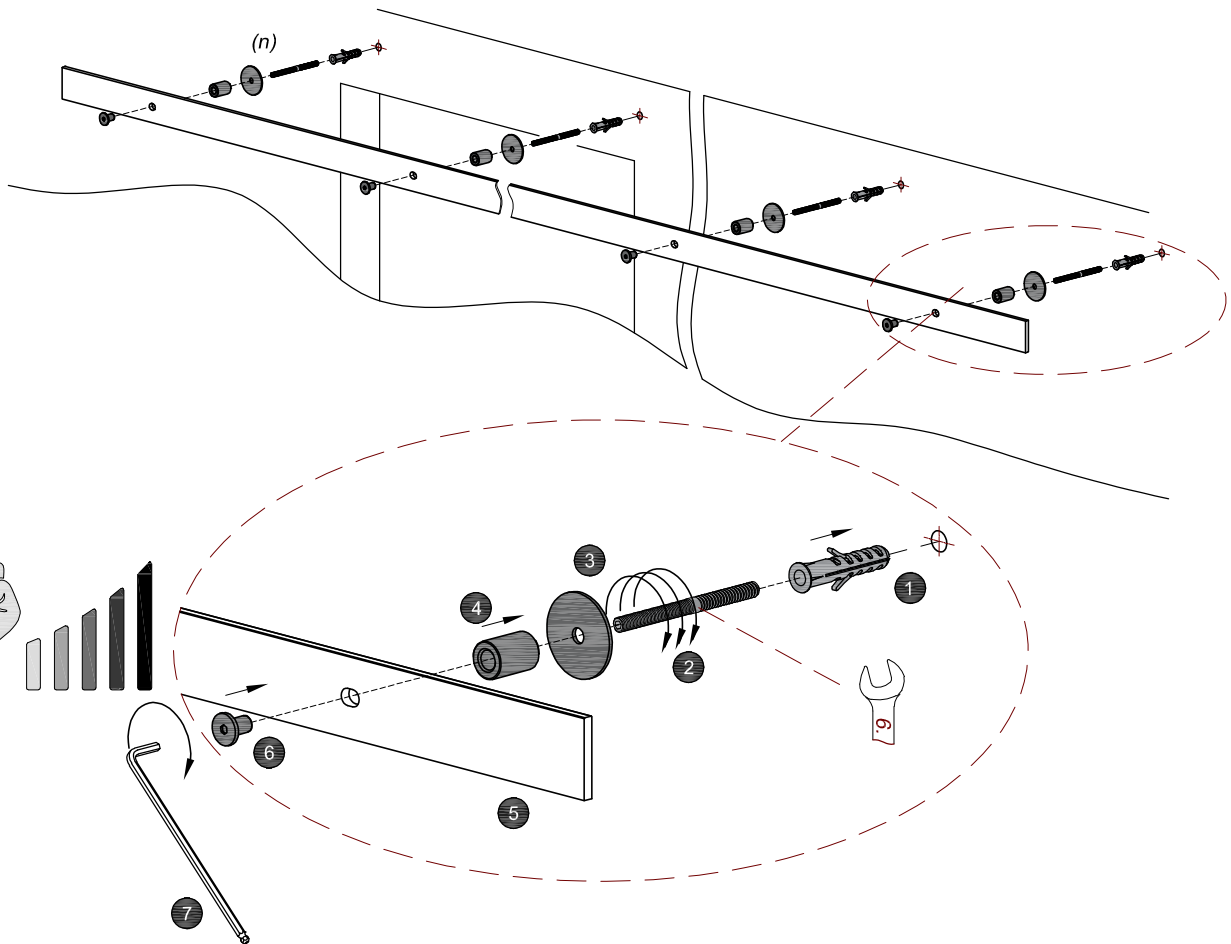
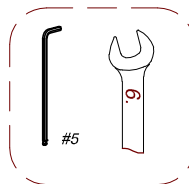
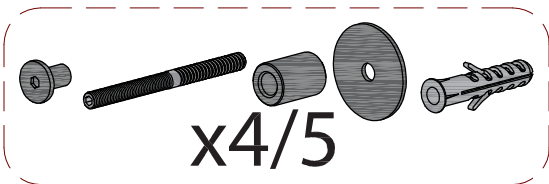
b)



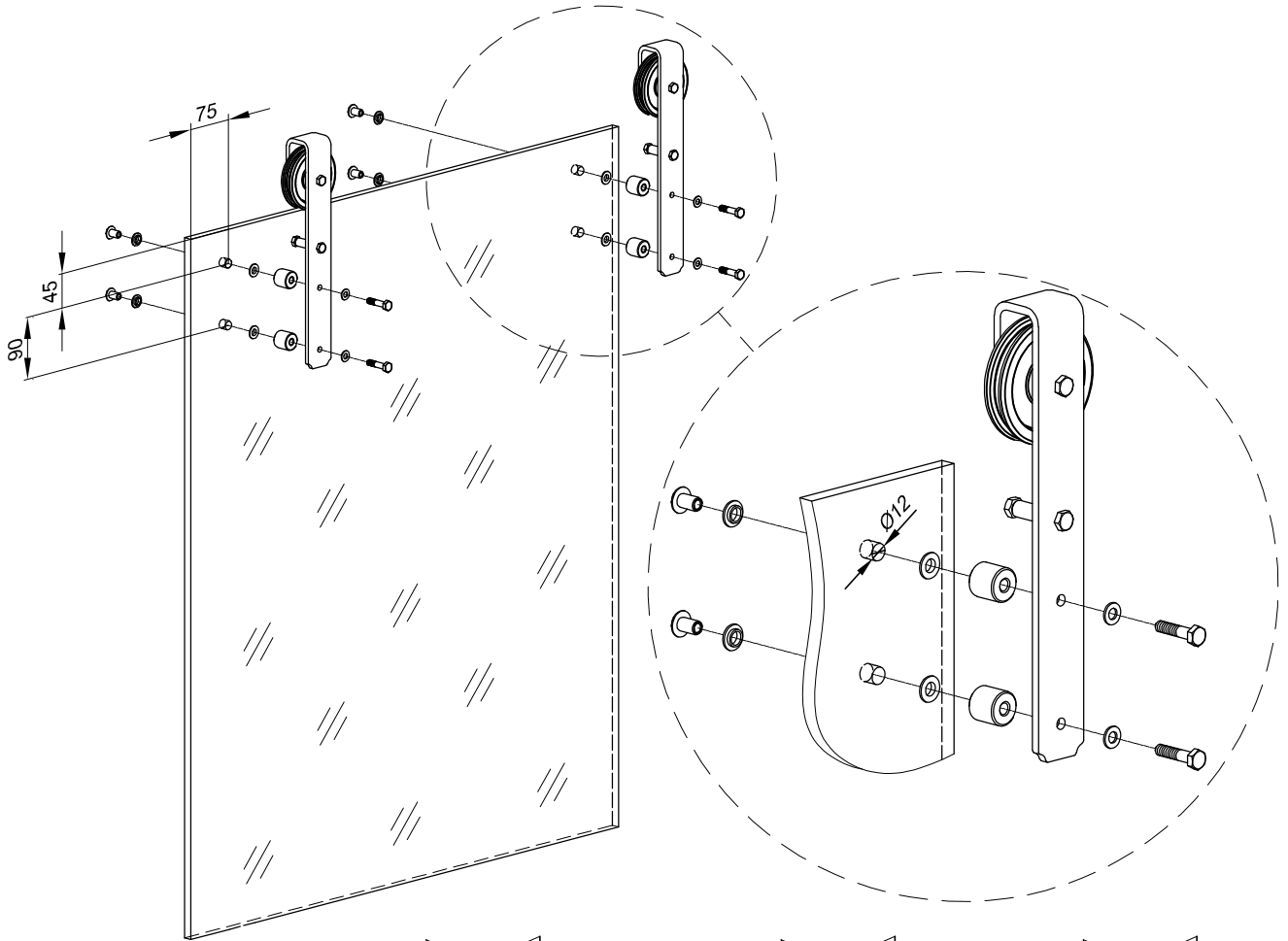
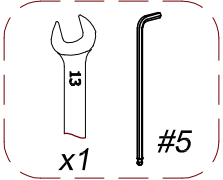
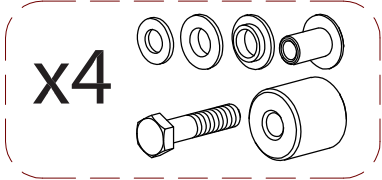
2



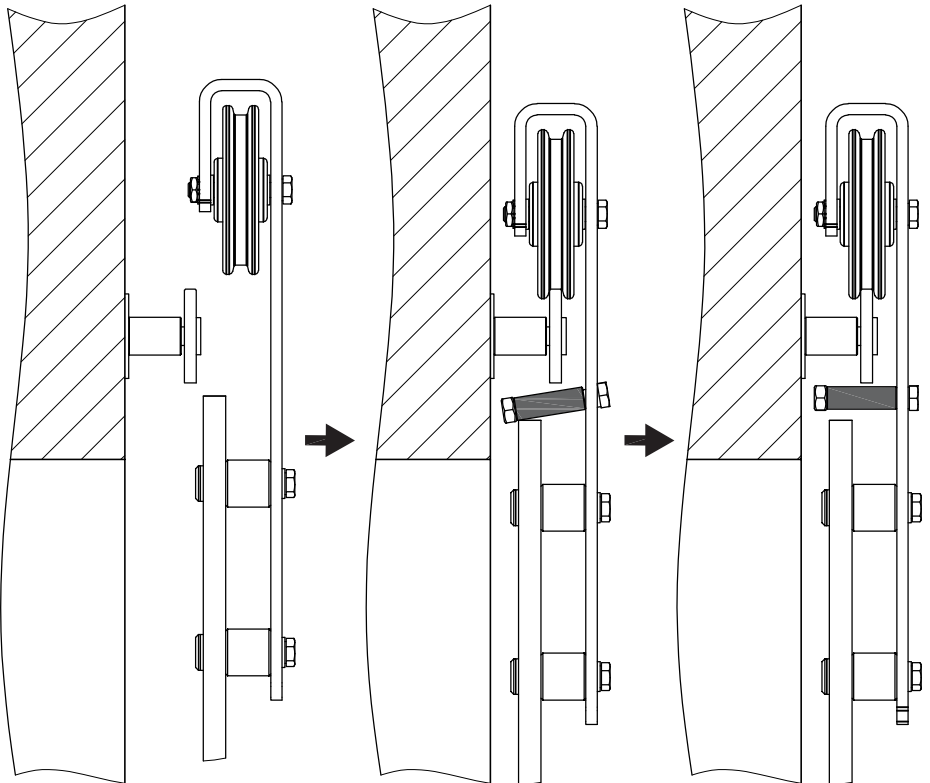
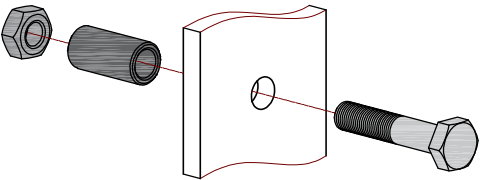
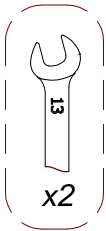
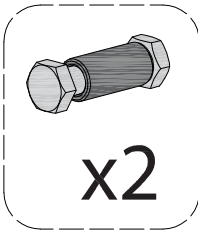
3



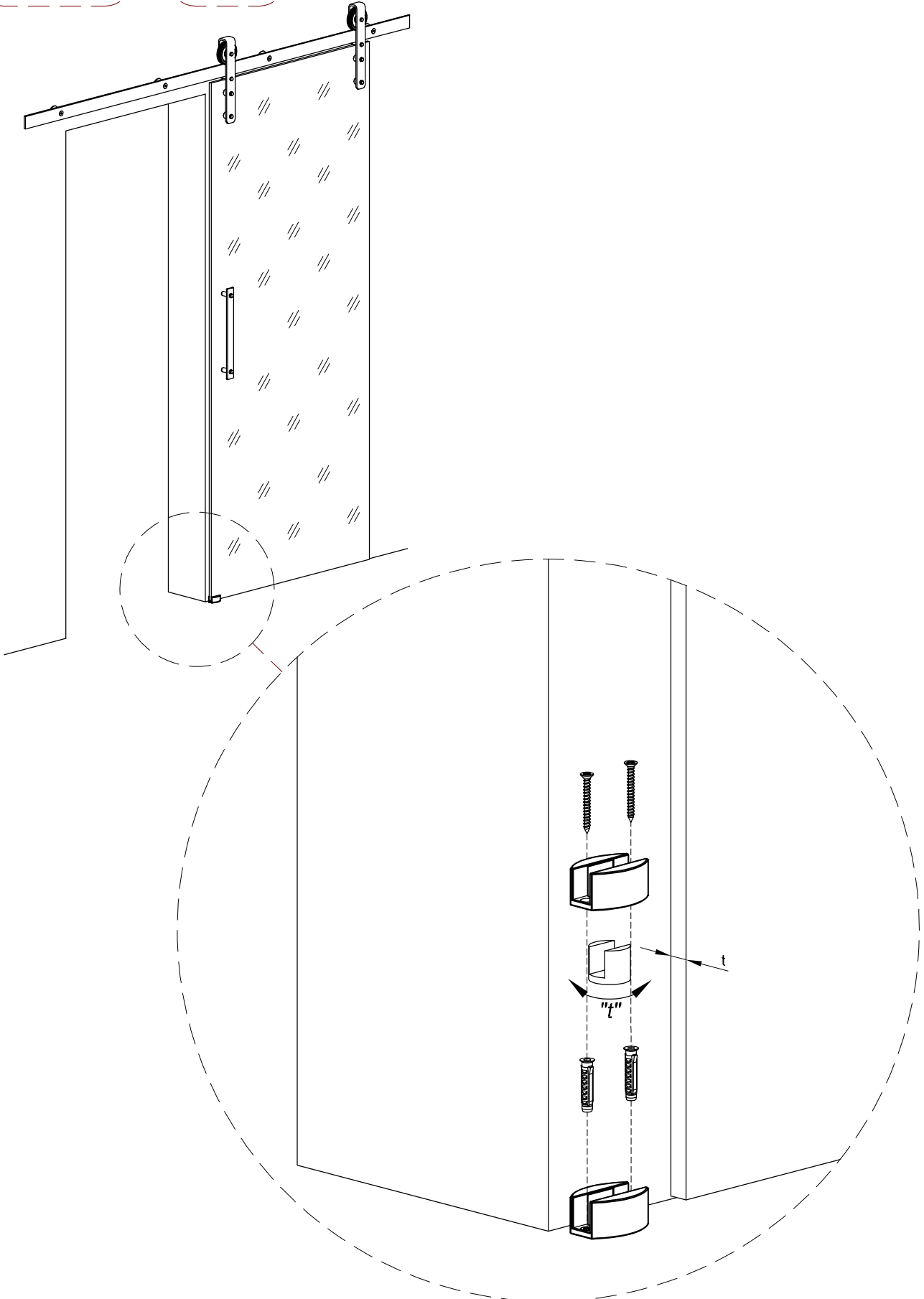
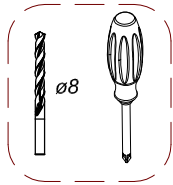
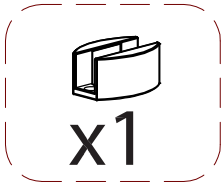
4



5

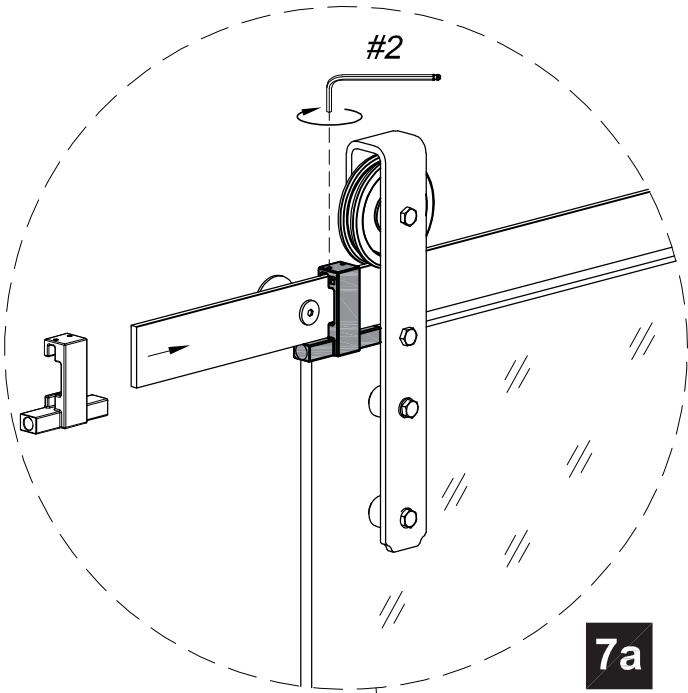
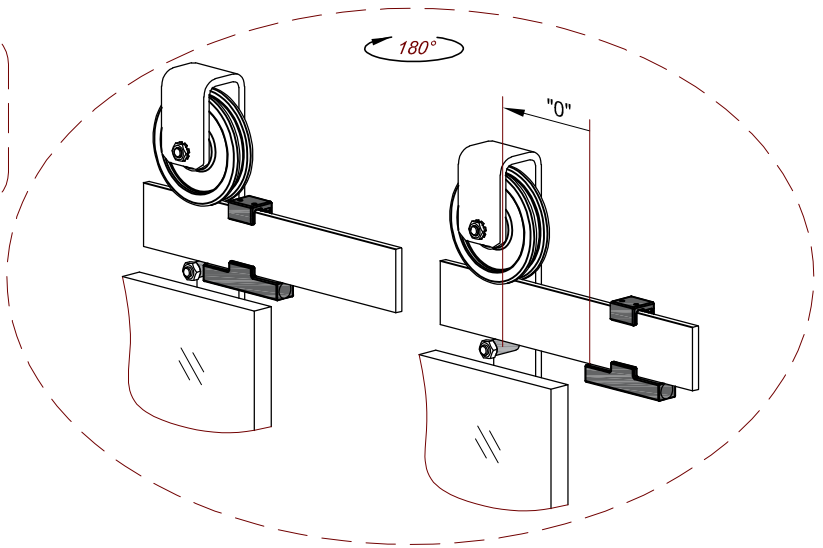
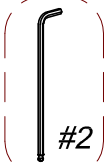
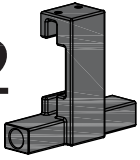


6

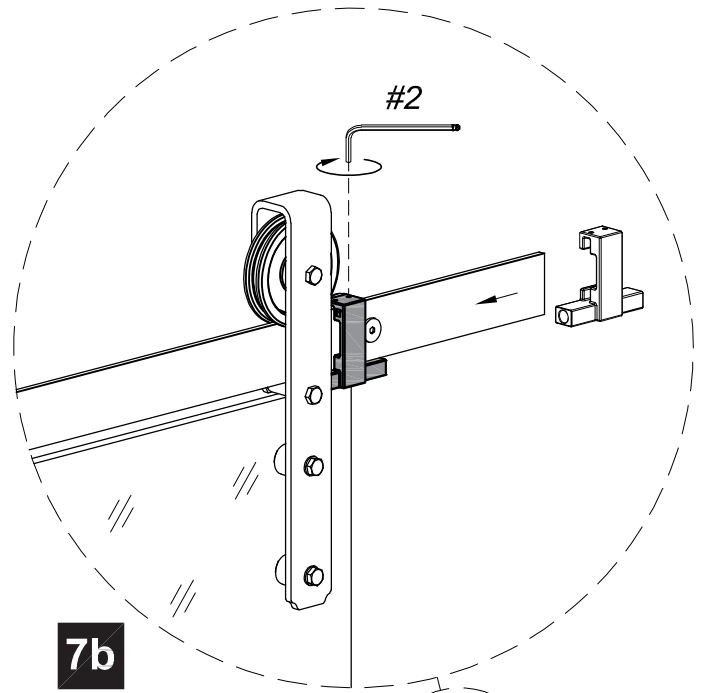


7

x2



7a



7b

