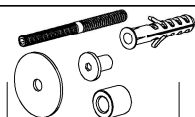




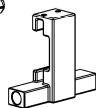
x1



x2



x4/x5/x6



x2



x2



x1



S14x40

Ø6x30

x2



M8

x8

x16

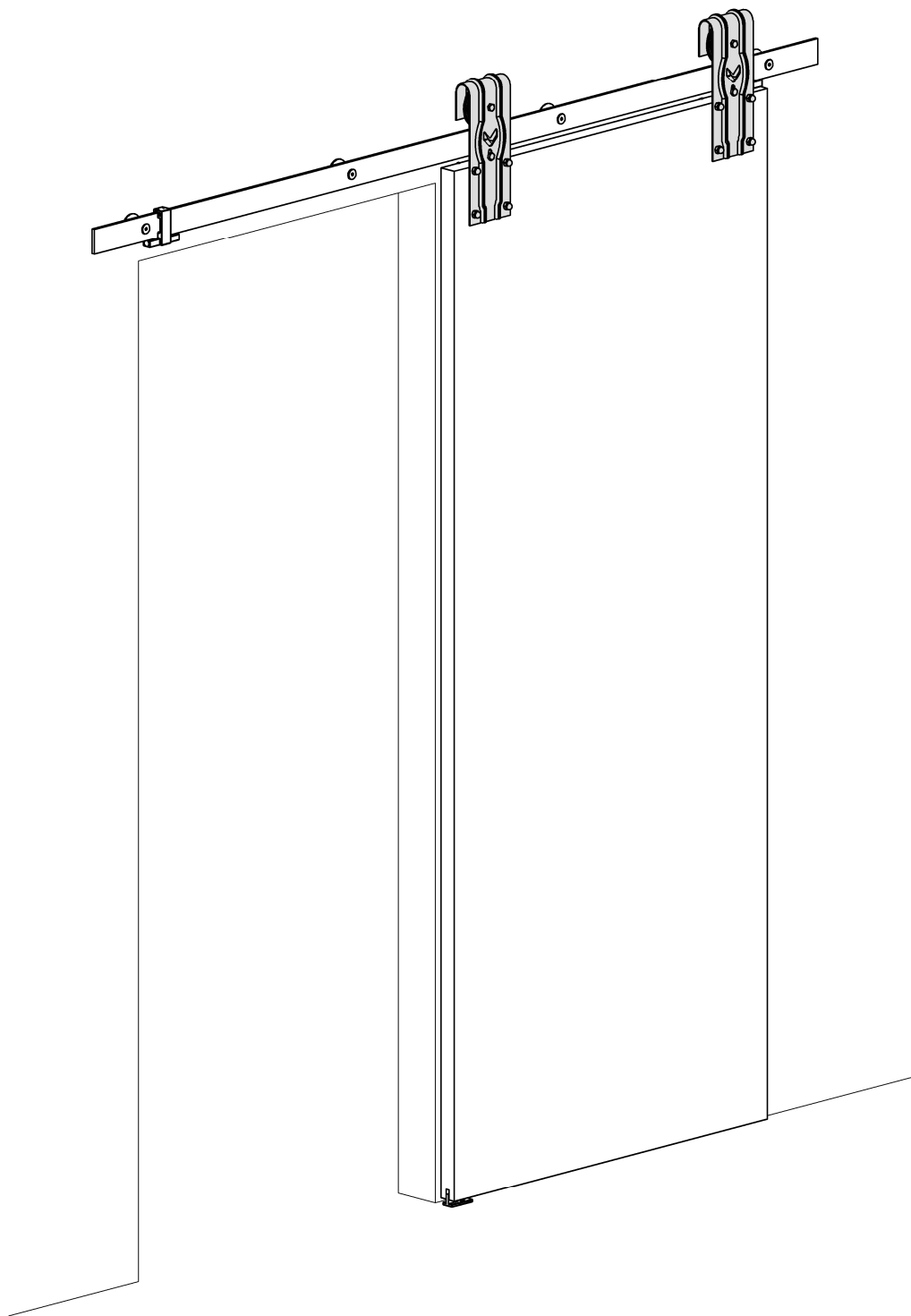


M8x50

x8



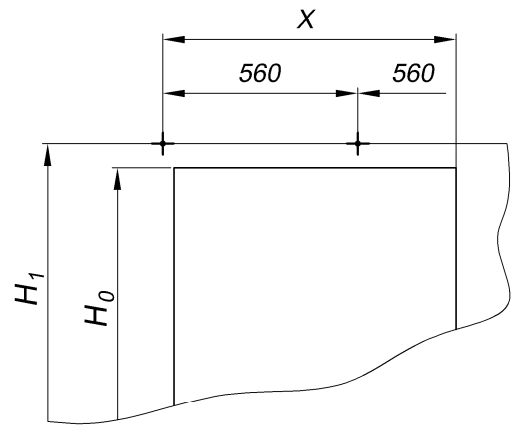
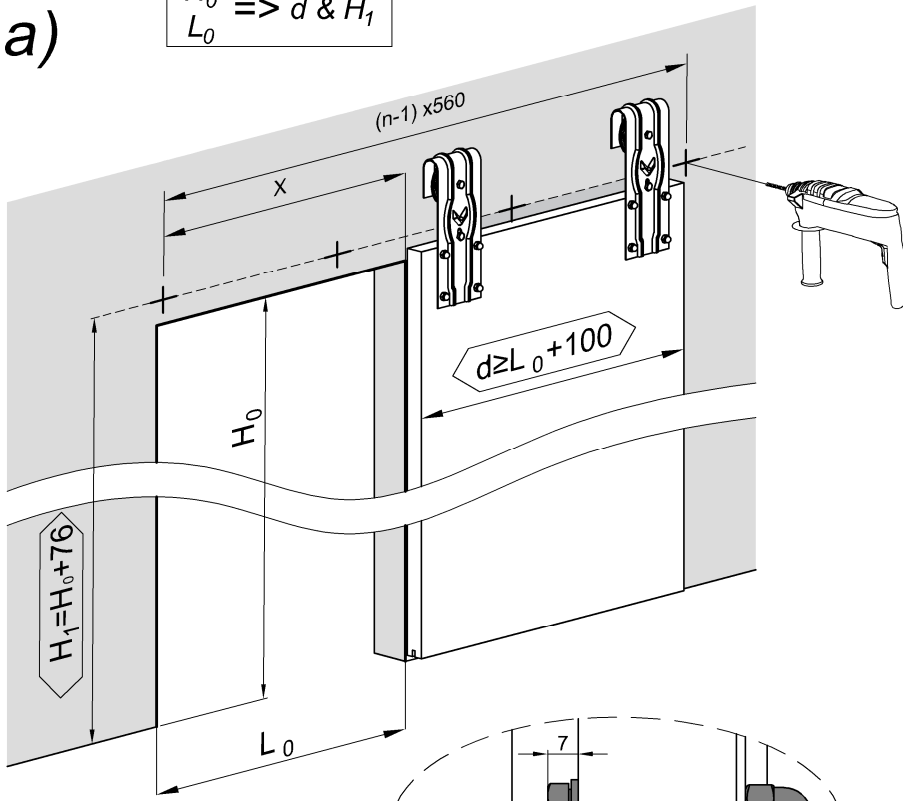
120
KG



1

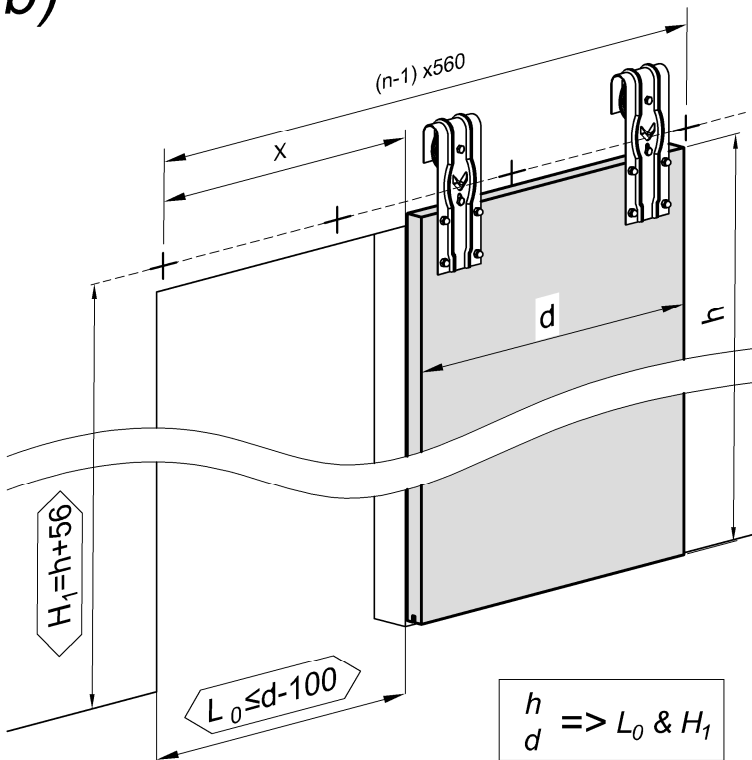
a)

$$\begin{matrix} H_0 \\ L_0 \end{matrix} \Rightarrow d \text{ \& \ } H_1$$

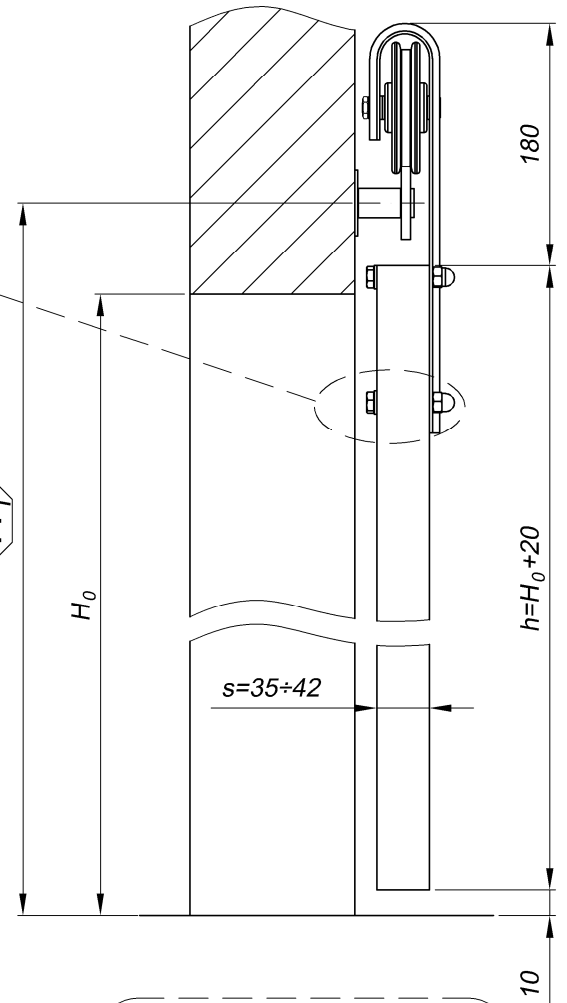


L_{Track} [mm]	1950	2400	3000
X [mm]	840	1120	1400
n [szt]	4	5	6

b)



H_1

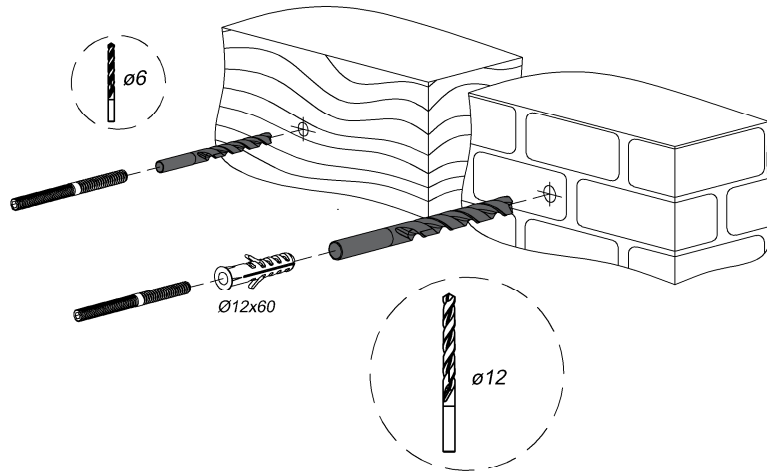
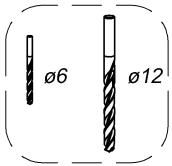


216-110
216-111

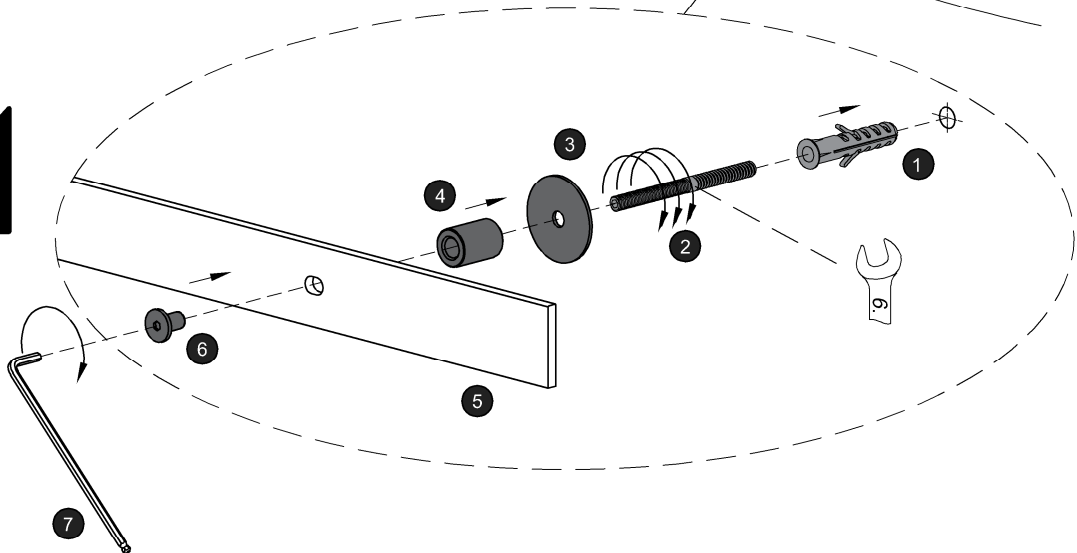
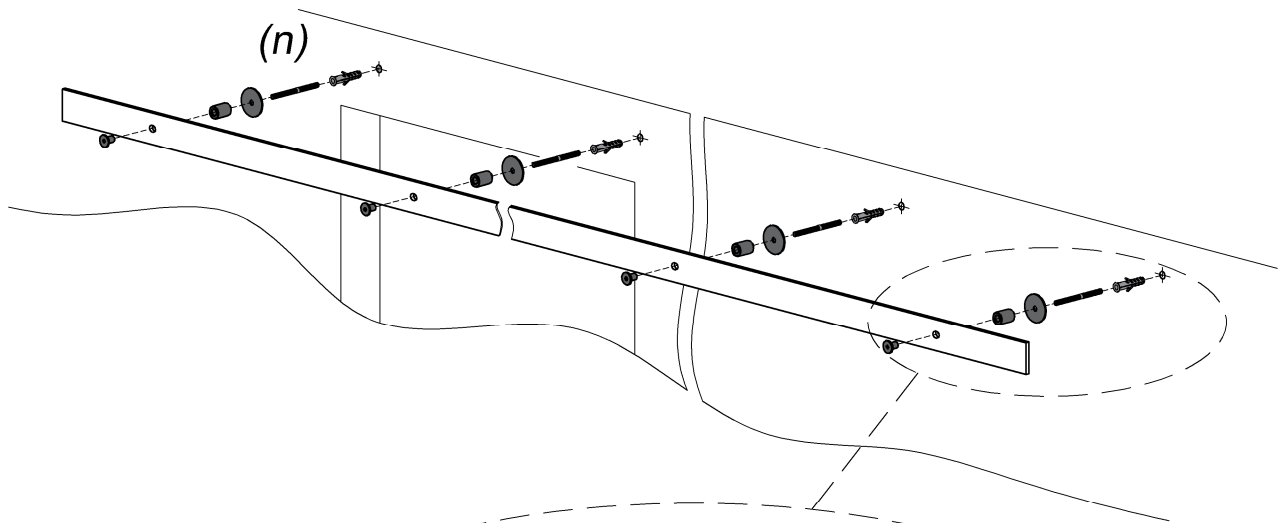
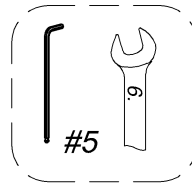
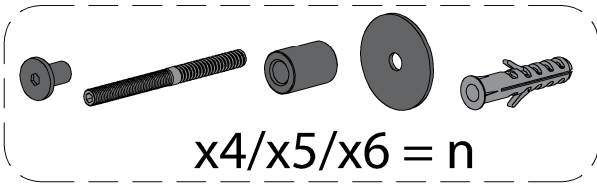
$H_1 = H_0 + 81$
 $H_1 = h + 61$



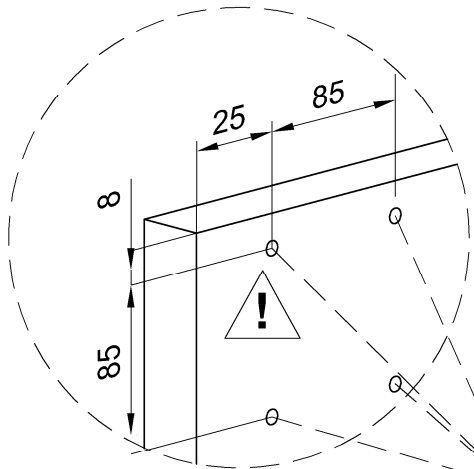
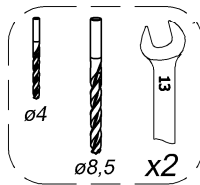
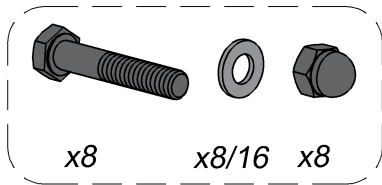
2



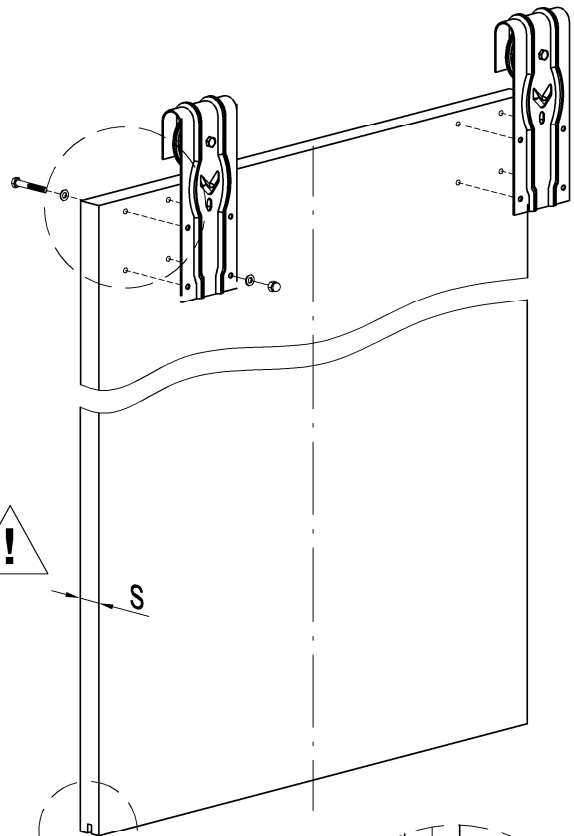
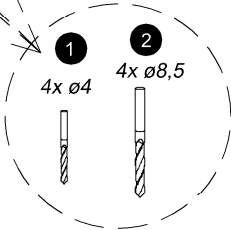
3



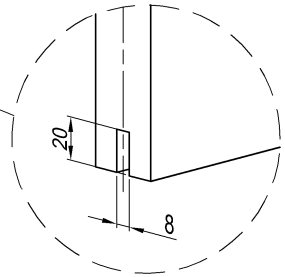
4



4.1



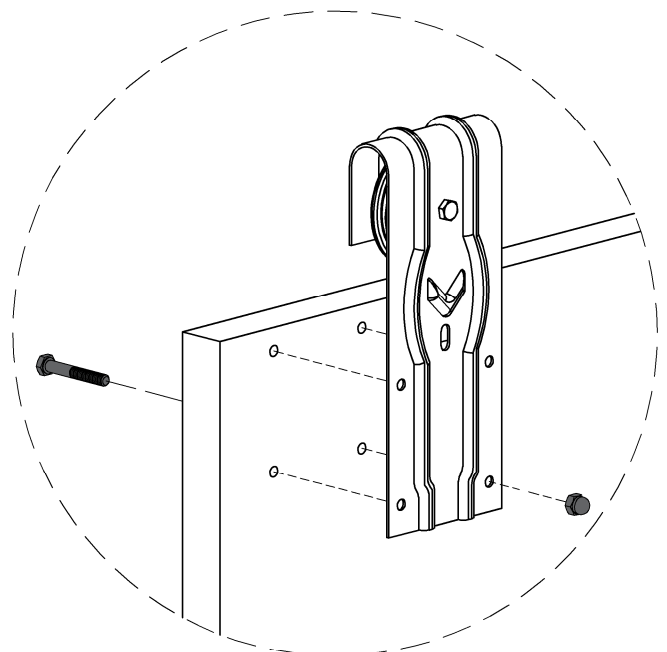
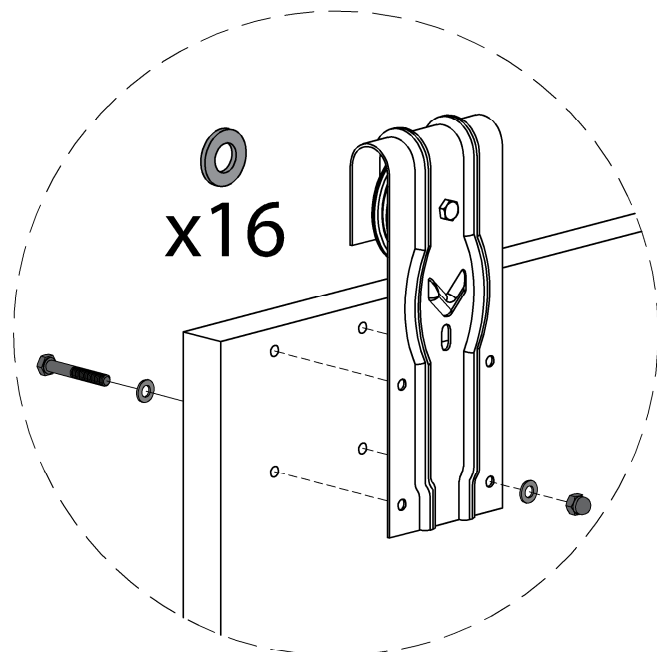
4.2



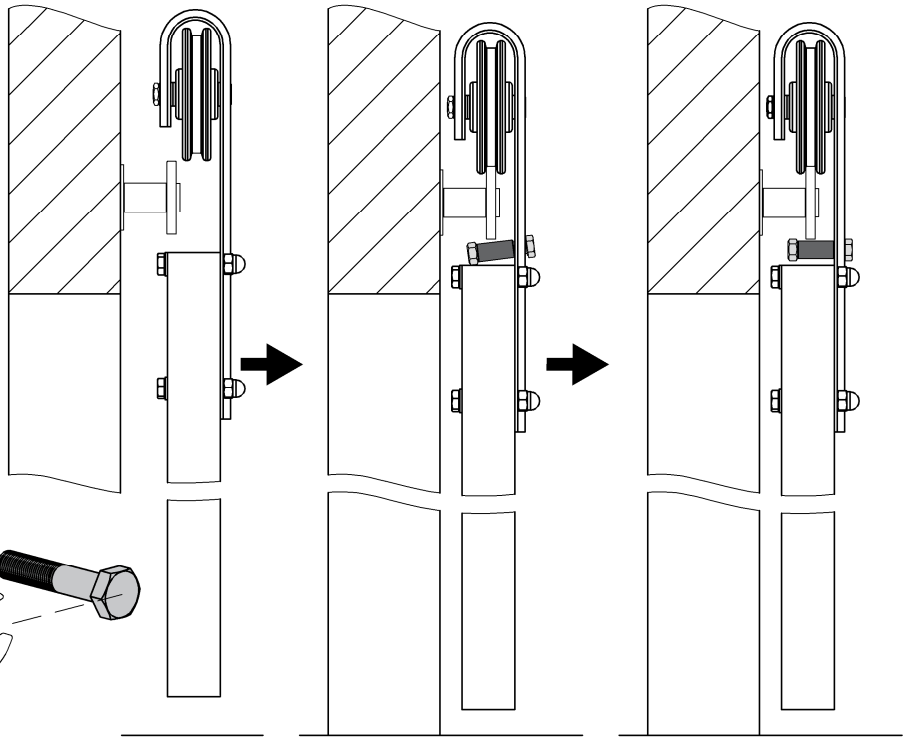
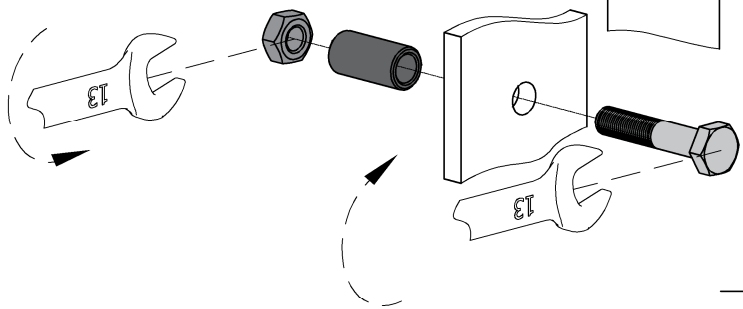
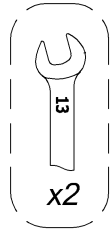
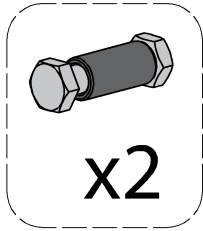
4.3

! 35 < s < 38

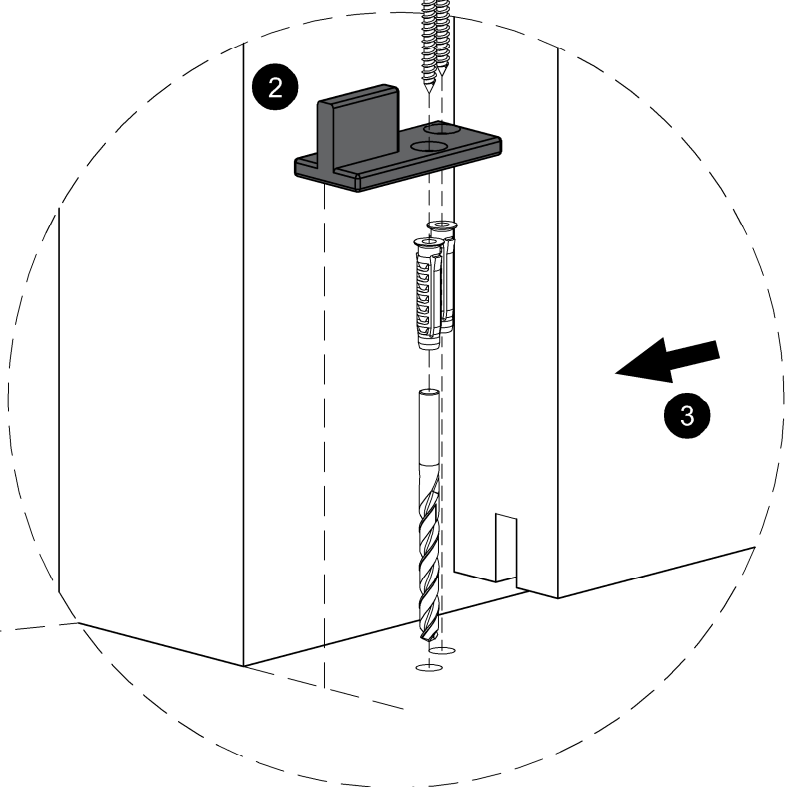
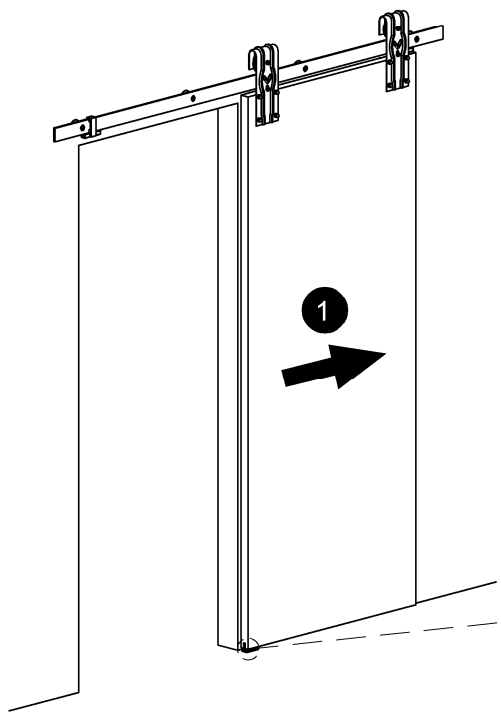
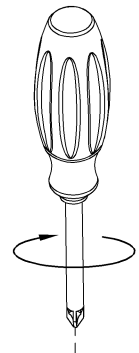
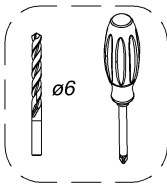
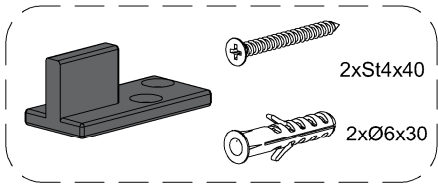
! 38 < s < 42



5

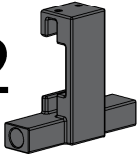


6

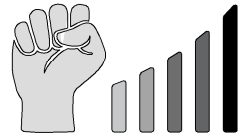
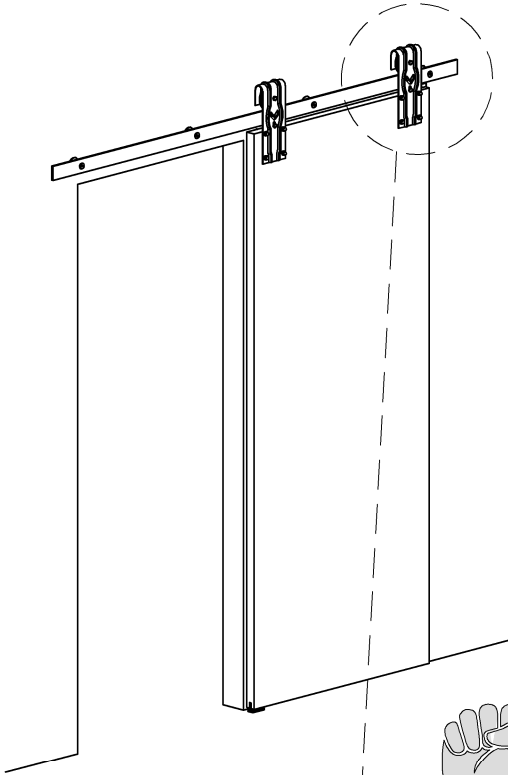
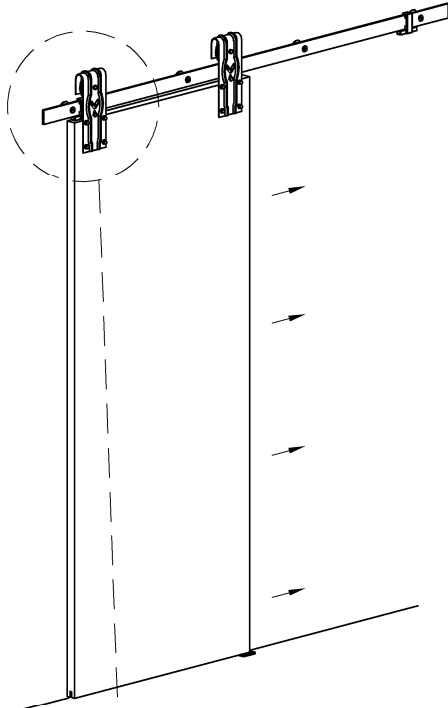


7

x2



#2



7a

7b

