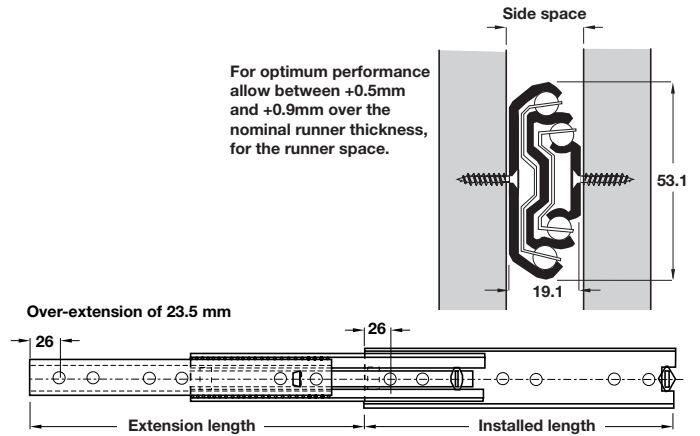


Accuride 5321 drawer runners, full extension



Optional mounting brackets for bottom or shelf mounting, shown on page 199

- > Side mounting
- > For applications such as lateral filing cabinets, extra heavy duty storage drawers
- > Stainless steel version suitable for corrosive, external or environmentally sensitive applications such as refrigeration, kitchens, boats and medical equipment
- > Self-closing version (SC) designed to close the runner and prevent bounce back
- > Load carrying capacity up to 120/160 kg (see below for individual runner capacity)
- > Hold-in feature holds the closed drawer in
- > 32 mm drilling pattern
- > Ensure all fixing holes are used for heavier loads
- > Bright zinc-plated steel or high grade stainless steel
- > Order fixings screws separately
- > Order qty: 1 pair

Full Extension	TESTED 80,000 CYCLES	M5 FIXINGS REQUIRED
-----------------------	-----------------------------------	-------------------------------

Installed length	Extension length	Load capacity	Bright zinc-plated	High grade stainless steel
Accuride 5321, up to 160 kg carrying capacity (see below for individual runner capacity)				
300 mm	323.5 mm	120/120* kg	422.22.300	422.22.030*
350 mm	373.5 mm	120 kg	422.22.355	-
400 mm	423.5 mm	130/140* kg	422.22.408	422.22.040*
450 mm	473.5 mm	140/150* kg	422.22.453	422.22.045*
500 mm	523.5 mm	150/160* kg	422.22.506	422.22.050*
550 mm	573.5 mm	140/150* kg	422.22.551	422.22.055*
600 mm	623.5 mm	120/130* kg	422.22.604	422.22.060*
700 mm	723.5 mm	110/110* kg	422.22.702	422.22.070*
790 mm	803.5 mm	100/100* kg	422.22.800	422.22.079*
900 mm	923.5 mm	80 kg	422.22.900	-
1000 mm	1023.5 mm	70 kg	422.22.910	-
1100 mm	1123.5 mm	60 kg	422.22.911	-

Full Extension	TESTED 10,000 CYCLES	M5 FIXINGS REQUIRED
-----------------------	-----------------------------------	-------------------------------

Installed length	Extension length	Load capacity	Bright zinc-plated
Accuride 5321-SC, up to 120 kg carrying capacity (see below for individual runner capacity)			
300 mm	319 mm	85 kg	422.79.930
350 mm	369 mm	90 kg	422.79.935
400 mm	419 mm	100 kg	422.79.940
450 mm	469 mm	110 kg	422.79.945
500 mm	519 mm	120 kg	422.79.950
550 mm	569 mm	110 kg	422.79.955
600 mm	619 mm	100 kg	422.79.960
700 mm	719 mm	70 kg	422.79.970
790 mm	823 mm	50 kg	422.79.979

DRAWER SYSTEMS, STAYS AND HINGES 2015, © Häfele U.K. Ltd 2015. Dimensional data not binding. We reserve the right to alter specifications without notice.