

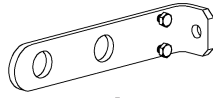


MANTION POLSKA

WWW.MANTION.PL

Łącznik szyn | ROC DESIGN

219-155



x2



x2

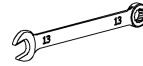


M8x25

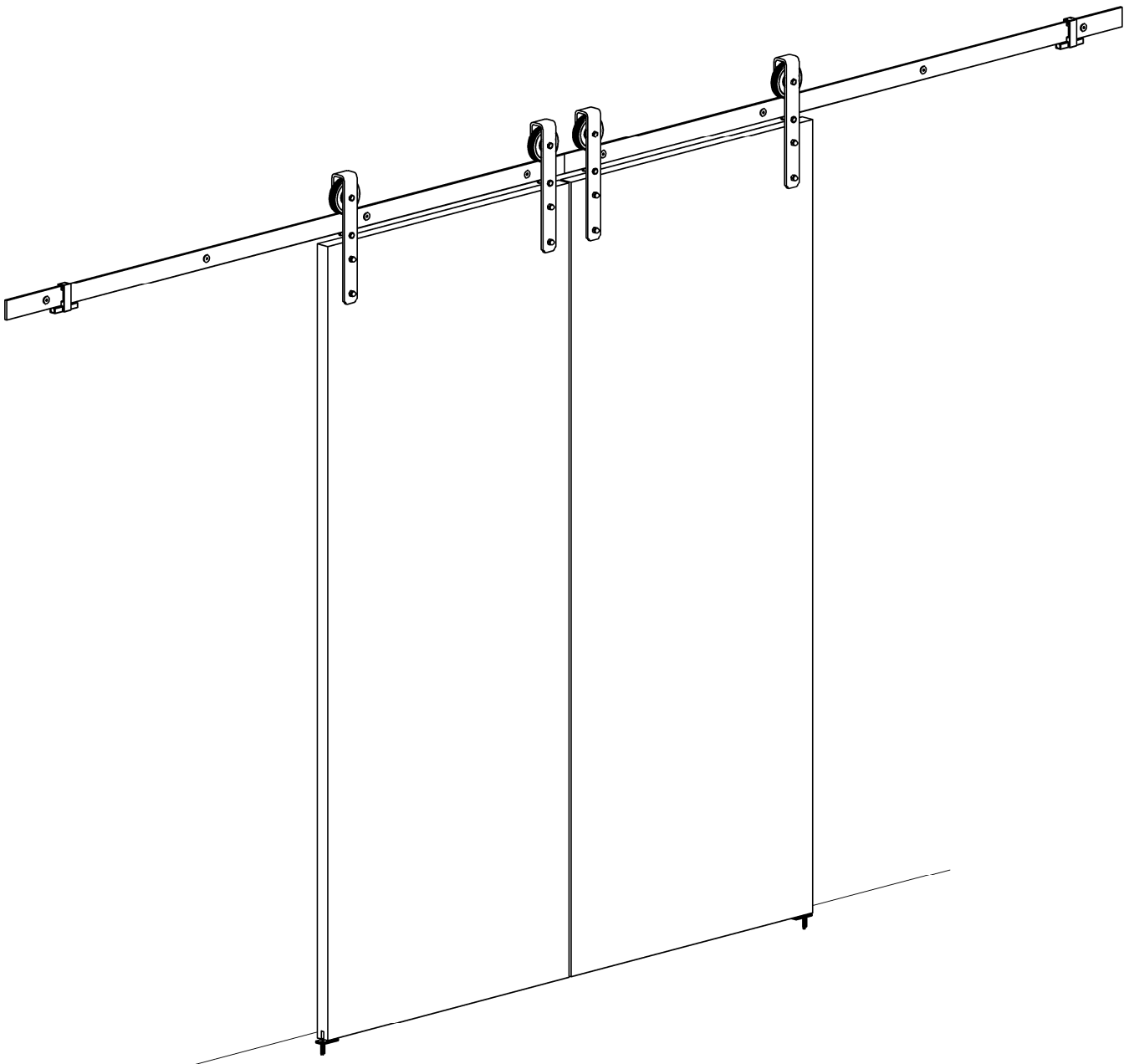


M8

x1

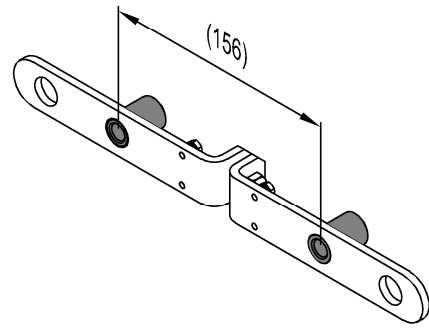
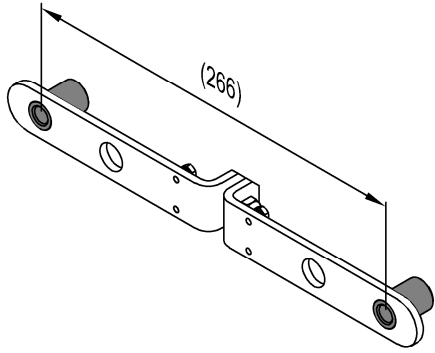


x2

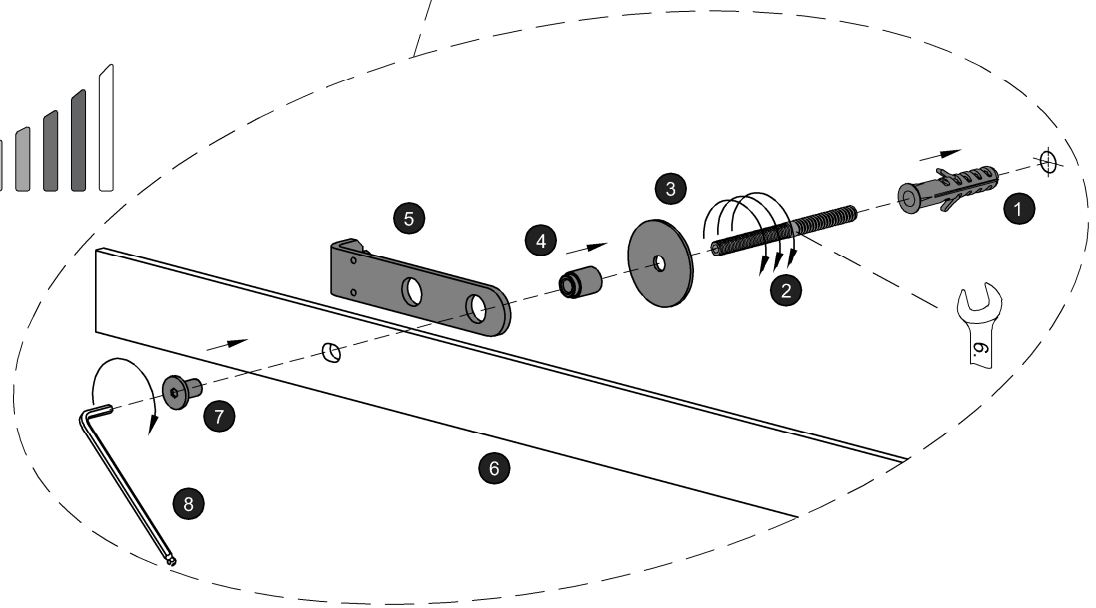
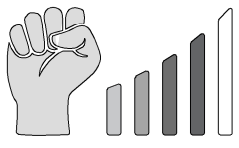
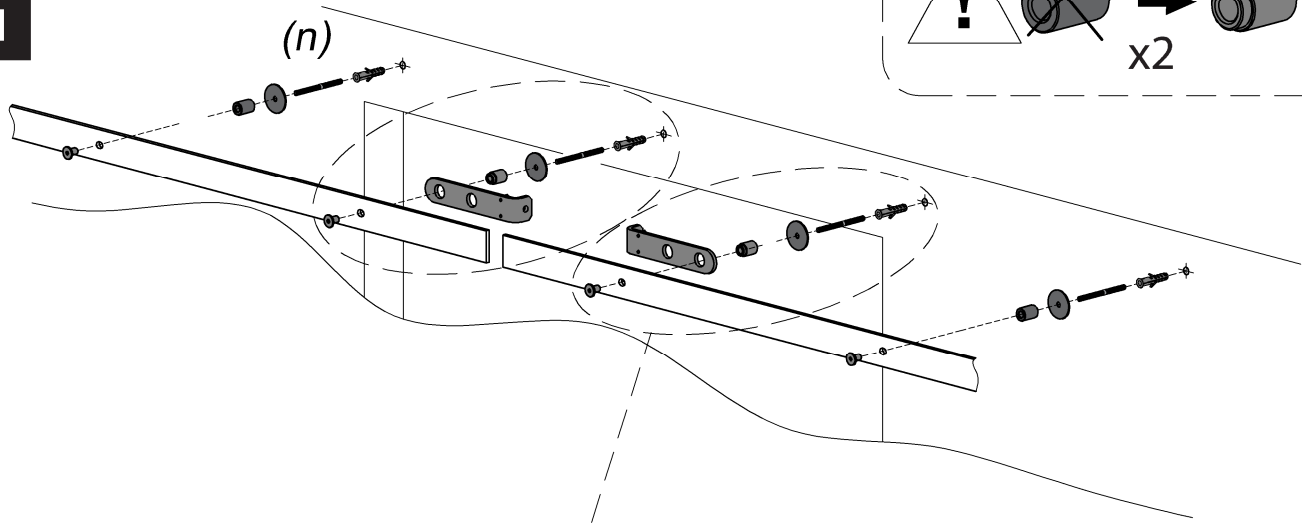
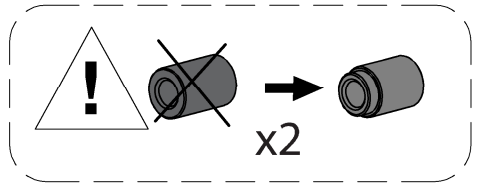


a) $L_{Track} = 1950 [mm]$

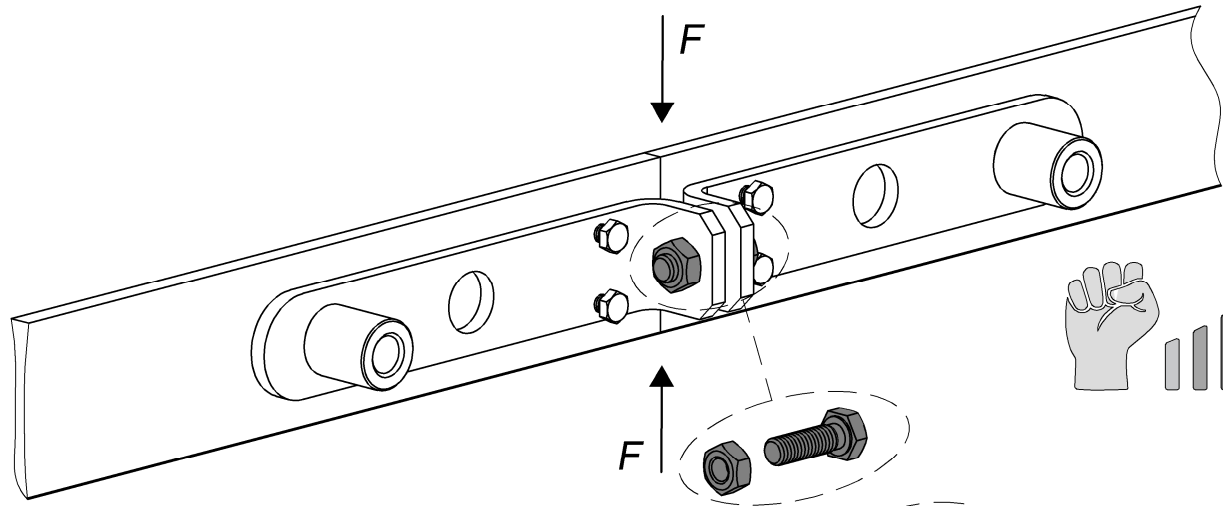
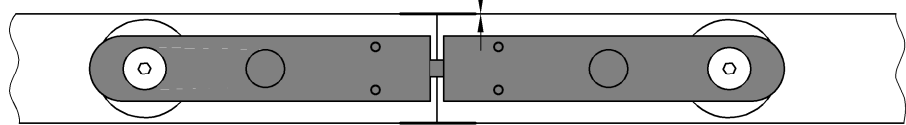
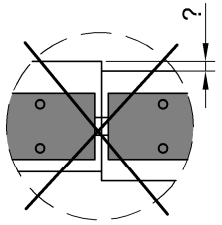
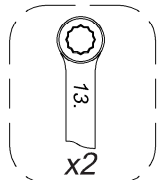
b) $L_{Track} = 2400 [mm]$



1



2



3

