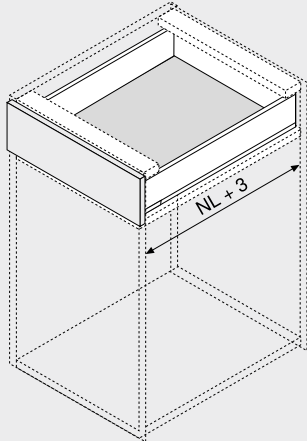


TIP-ON BLUMOTION

Planning

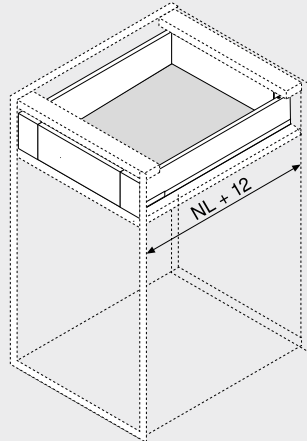
Space requirement in cabinet

Drawer | high fronted pull-out



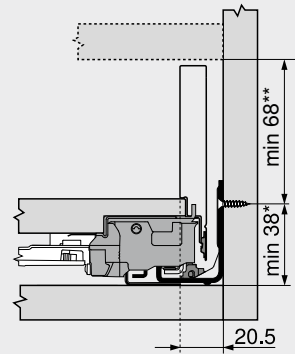
NL Nominal length

Inner drawer | inner pull-out



NL Nominal length

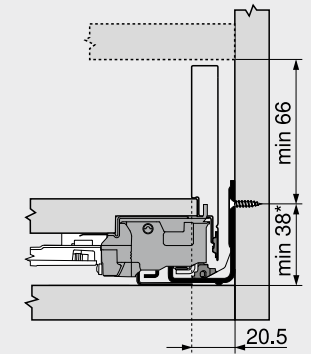
Drawer | high fronted pull-out



Height M

* +1 mm if cabinet profile is installed before the cabinet is assembled
 ** Incl. 2 mm tilt adjustment

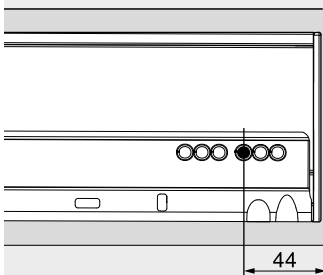
Inner drawer | inner pull-out



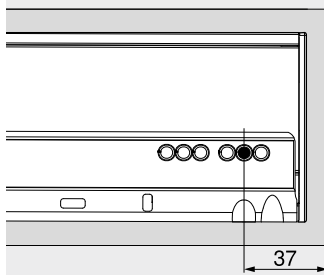
Height M

* +1 mm if cabinet profile is installed before the cabinet is assembled
 TIP-ON BLUMOTION cannot be used in combination with latch set Z17.0M07

Screw position – inner drawer | inner pull-out

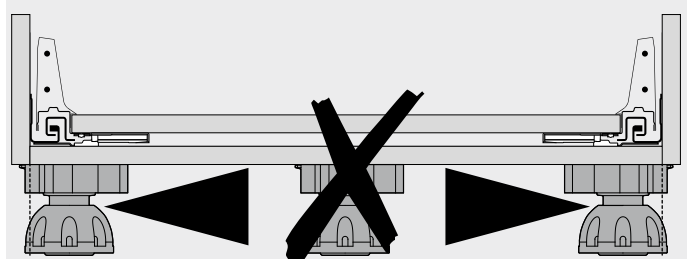


Variant 1

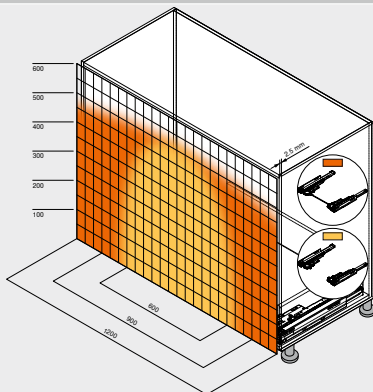


Variant 2

Plinth leg



Trigger range



Trigger range

- With synchronisation
- Without synchronisation

Minimum front gap (mm) 2.5

With front/base stabiliser

To optimise the function and trigger range, we generally recommend using synchronisation

Example for 750 – 40 kg | 753 – 70 kg, C height, nominal length NL 500 mm

Page instructions

Overview – TIP-ON BLUMOTION for LEGRABOX	249	Overview – assembly devices	561
Overview – LEGRABOX	205	More technical details	662
Overview – TIP-ON for LEGRABOX CABLOXX	255		
Accessories	243		
Cabinet profile fixing positions	252		

Assembly, removal and adjustment

Short-URL
www.blum.com/a320

