

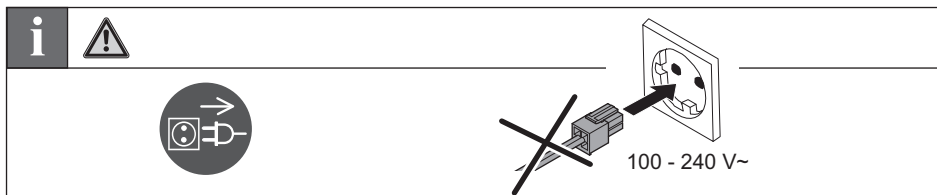



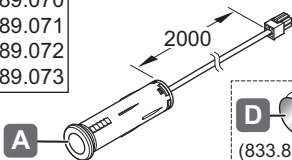


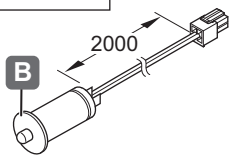


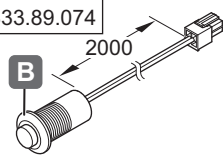
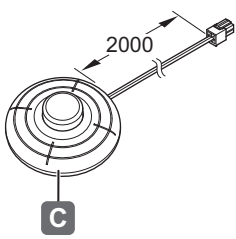
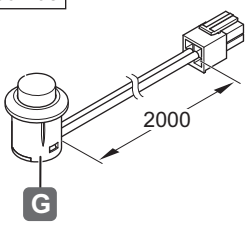
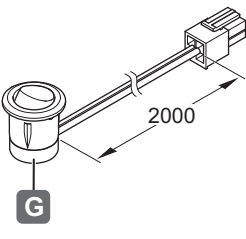
<b>833.89.070</b>	<b>833.89.074</b>	<b>833.89.106</b>
<b>833.89.071</b>	<b>833.89.044</b>	<b>833.89.107</b>
<b>833.89.072</b>	<b>833.89.045</b>	<b>833.89.108</b>
<b>833.89.073</b>	<b>833.89.046</b>	


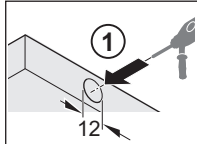
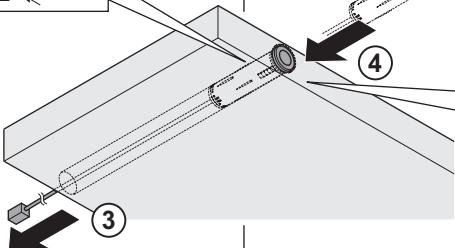


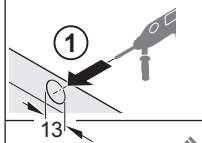
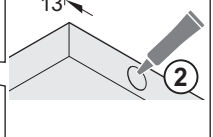

12 V System	24 V System	350 mA System	700 mA System			T <sub>A</sub>		
833.89.070					0-80	-20 °C – +35 °C -4 °F – +95 °F	Ø 16 x 48.5	<div style="border: 1px solid black; padding: 2px; display: inline-block;">Loox <b>12 V</b></div> <div style="border: 1px solid black; padding: 2px; display: inline-block;">Loox <b>24 V</b></div> <div style="border: 1px solid black; padding: 2px; display: inline-block;">Loox <b>350 mA</b></div> <div style="border: 1px solid black; padding: 2px; display: inline-block;">Loox <b>700 mA</b></div>
833.89.071					0-80			
833.89.072					0-3000			
833.89.073					0-80			
833.89.044							Ø 14.5 x 24	
833.89.107							Ø 15 x 20	
833.89.108							Ø 15 x 28	
833.89.045				-	-		Ø 15 x 28	
833.89.046						Ø 70 x 28		
833.89.106						Ø 15 x 17.7		

HDE 06/2015

732.28.403




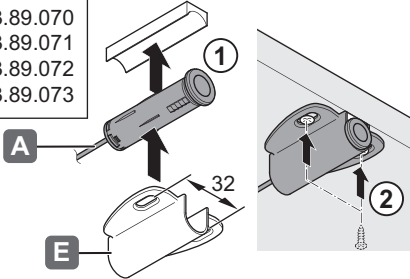
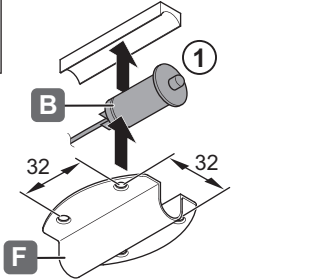
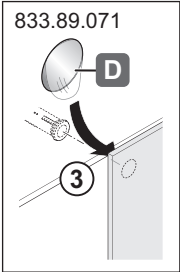
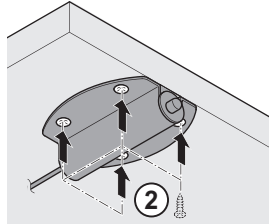






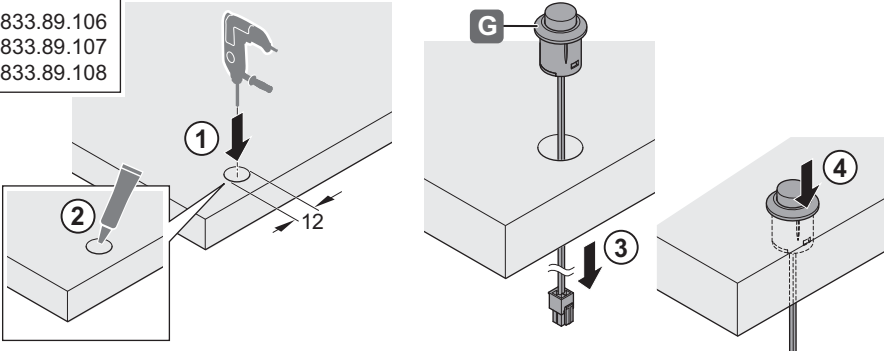
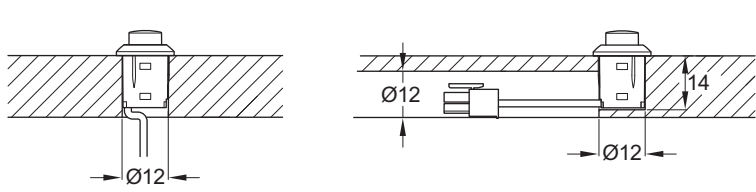
 <p>833.89.070 833.89.071 833.89.072 833.89.073</p>  <p><b>A</b></p>  <p><b>D</b> Ø16 (833.89.071)</p> <p><b>+</b>  <b>E</b> 2x 833.89.090</p>	<p>833.89.045</p>  <p><b>B</b></p> <p><b>+</b>  <b>F</b> 4x 833.89.048 833.89.049</p>	 <p>833.89.044 833.89.074</p>  <p><b>B</b></p>
<p>833.89.046</p>  <p><b>C</b></p>	<p>833.89.107 833.89.108</p>  <p><b>G</b></p>	<p>833.89.106</p>  <p><b>G</b></p>

<p><b>1</b>  12 mm</p> <p>833.89.070 833.89.071 833.89.072 833.89.073</p>   <p><b>3</b></p>	<p> 13 mm </p> <p>833.89.044 833.89.045 833.89.074</p>    <p><b>4</b></p>
--	---

732.28.403

HDE 06/2015

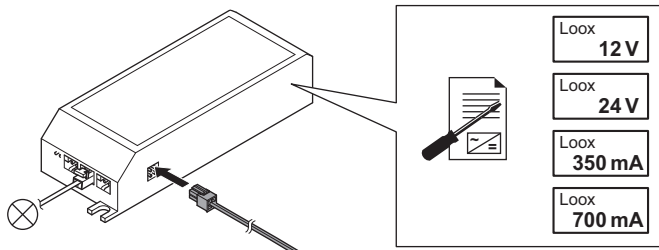
<b>1</b>			
<p>833.89.070 833.89.071 833.89.072 833.89.073</p>		<p>833.89.044 833.89.045 833.89.074</p>	
			
<p>833.89.071</p> 			

<b>1</b>				
<p>833.89.106 833.89.107 833.89.108</p>				
				
<p><b>i</b></p> 				

732.28.403

HDE 06/2015

2



732.28.403

HDE 06/2015