



833.72.478  
833.75.178

LED 2091  
LED 3091

		<b>K</b>		<b>T<sub>A</sub></b>	
833.72.478	2700 - 5000 K	Ø 61.2 x 15.6		-20 °C – +45 °C -4 °F – +113 °F	 12 V
833.75.178	2700 - 5000 K				 24 V

732.28.336

**A**

**+**

**B**

		x	12V
		2000	833.95.787

		x	24V
		2000	833.95.790

**+**

<p><b>C</b></p>	<table border="0"> <tr><td>833.72.126</td><td><input type="checkbox"/></td></tr> <tr><td>833.72.380</td><td><input type="checkbox"/></td></tr> <tr><td>833.72.381</td><td><input type="checkbox"/></td></tr> <tr><td>833.72.382</td><td><input type="checkbox"/></td></tr> <tr><td>833.72.168</td><td><input type="checkbox"/></td></tr> <tr><td>833.72.170</td><td><input type="checkbox"/></td></tr> <tr><td>833.72.171</td><td><input type="checkbox"/></td></tr> </table>	833.72.126	<input type="checkbox"/>	833.72.380	<input type="checkbox"/>	833.72.381	<input type="checkbox"/>	833.72.382	<input type="checkbox"/>	833.72.168	<input type="checkbox"/>	833.72.170	<input type="checkbox"/>	833.72.171	<input type="checkbox"/>
833.72.126	<input type="checkbox"/>														
833.72.380	<input type="checkbox"/>														
833.72.381	<input type="checkbox"/>														
833.72.382	<input type="checkbox"/>														
833.72.168	<input type="checkbox"/>														
833.72.170	<input type="checkbox"/>														
833.72.171	<input type="checkbox"/>														

**D**

833.72.127	<input type="checkbox"/>
833.72.383	<input type="checkbox"/>
833.72.384	<input type="checkbox"/>
833.72.385	<input type="checkbox"/>
833.72.172	<input type="checkbox"/>
833.72.174	<input type="checkbox"/>
833.72.175	<input type="checkbox"/>

**F**

**E** 2x

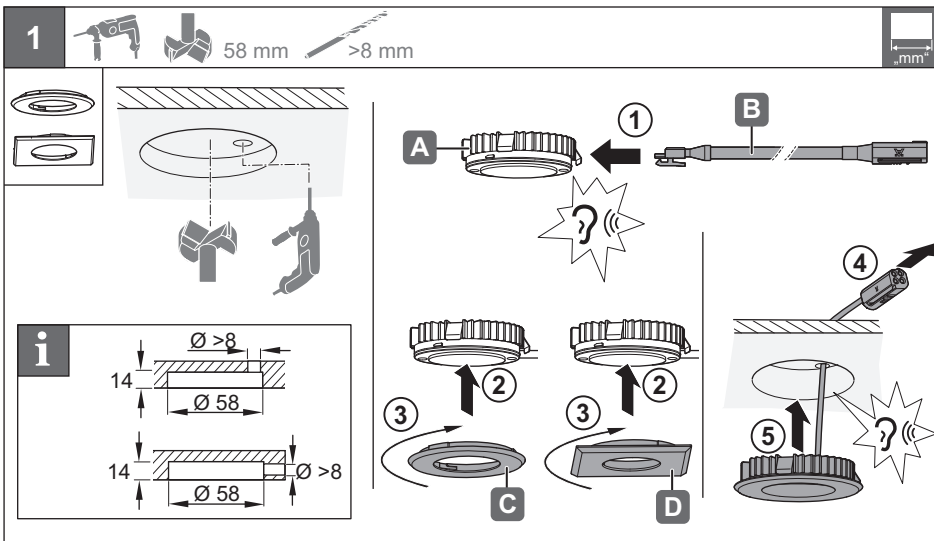
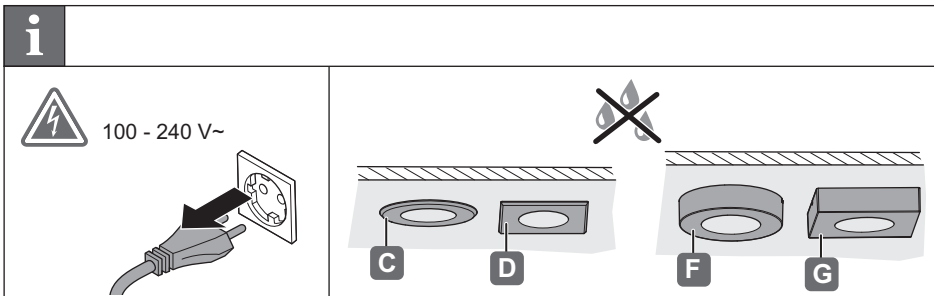
833.72.124	<input type="checkbox"/>
833.72.193	<input type="checkbox"/>
833.72.192	<input type="checkbox"/>
833.72.194	<input type="checkbox"/>
833.72.160	<input type="checkbox"/>
833.72.162	<input type="checkbox"/>
833.72.163	<input type="checkbox"/>

**G**

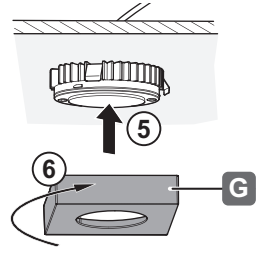
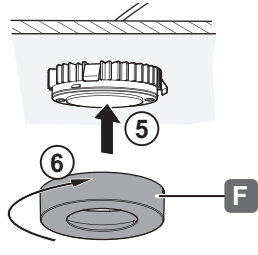
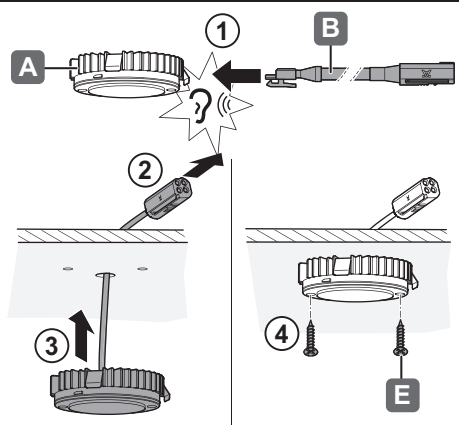
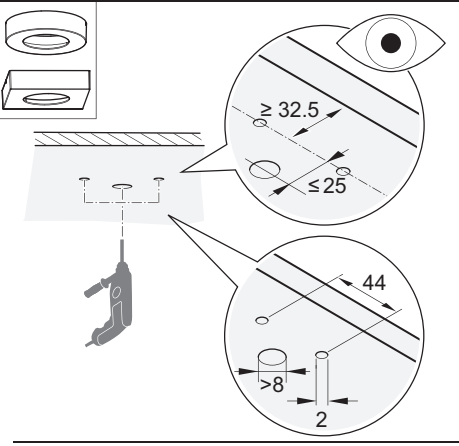
**E** 2x

833.72.125	<input type="checkbox"/>
833.72.195	<input type="checkbox"/>
833.72.196	<input type="checkbox"/>
833.72.197	<input type="checkbox"/>
833.72.164	<input type="checkbox"/>
833.72.166	<input type="checkbox"/>
833.72.167	<input type="checkbox"/>

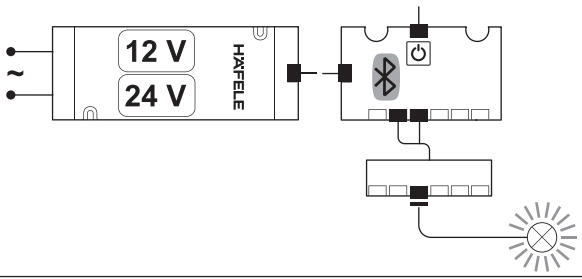
HDE 23.07.2019



1



2



732.28.336

HDE 23.07.2019

732.28.336

HDE 23.07.2019