

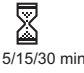

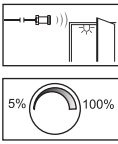

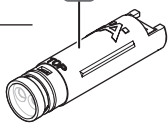




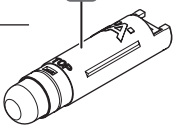
833.89.333
833.89.334
833.89.335

732.28.475

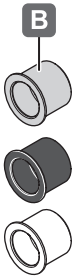
	V	L(mm/in)	T _A	mm/in
833.89.333  833.89.335  	12 V 24 V	0 - 3000 mm 0 - 118.11 in	-20 °C – +45 °C -4 °F – +113 °F	45 x 12 mm 1.77 x 0.47 in
833.89.334  		0 - 75 mm 0 - 2.95 in		50 x 12 mm 1.97 x 0.47 in


833.89.334





833.89.333
833.89.335

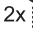


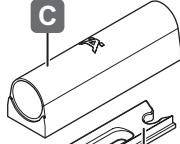
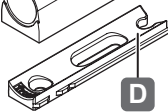
+

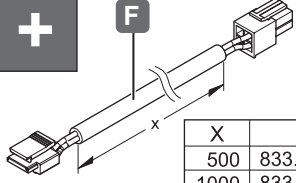
833.89.331 

833.89.332 

833.89.330 

2x  **E**







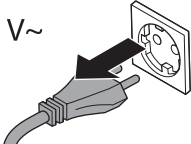
X	
500	833.89.140
1000	833.89.141
2000	833.89.142

HDE 10.01.2024

i



100 - 240 V~



1

833.89.333
833.89.335

30/60/180 sec

833.89.334

5% 100%

2a

12 mm

mm

1

F

A1 / A2

45

Ø12

2

Ø12

3

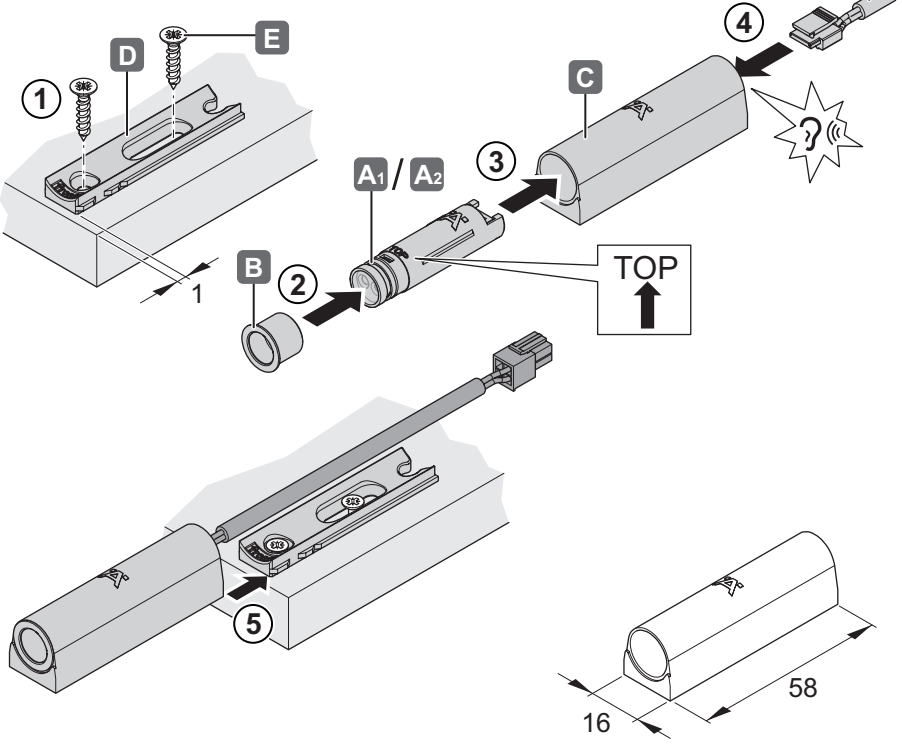
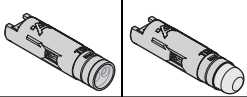
4

B

732.28.475

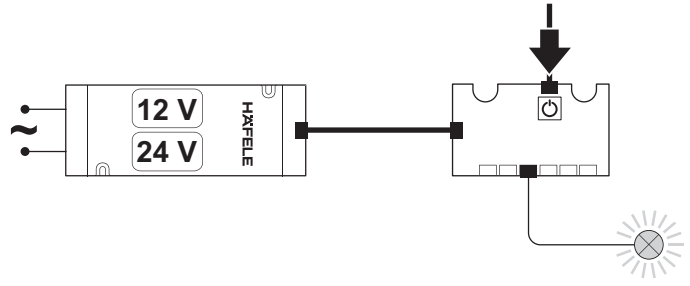
HDE 10.01.2024

2b



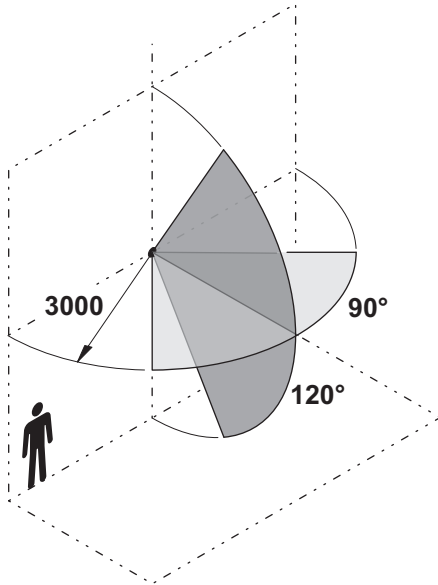
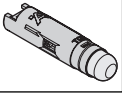
732.28.475

3

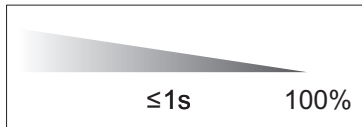
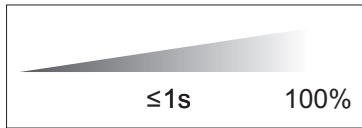
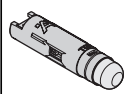
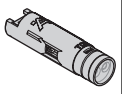


HDE 10.01.2024

i



732.28.475



HDE 10.01.2024