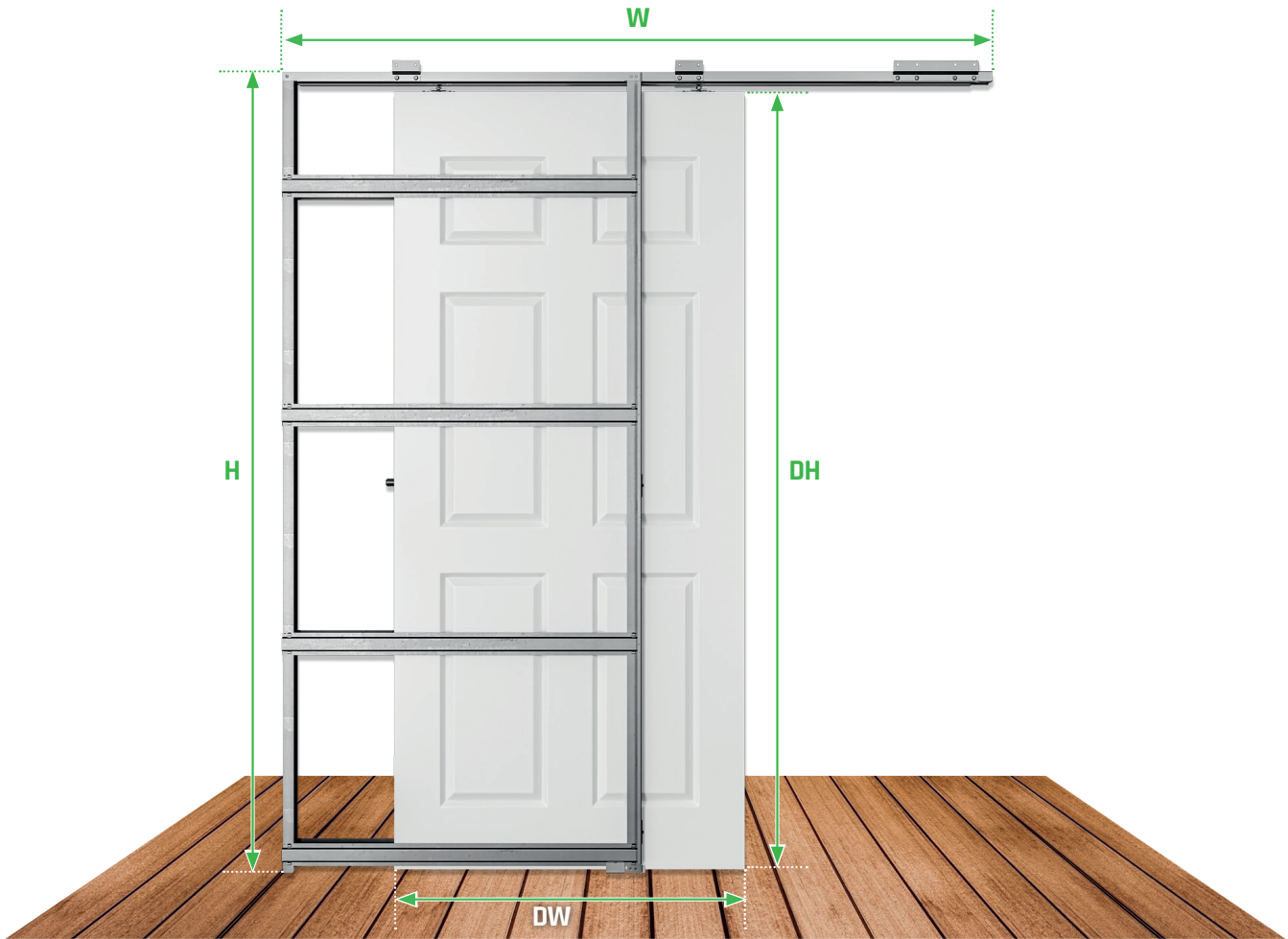




Rocket Door Frames



H measurement from finished floor level

DOOR PANEL		FRAME WIDTH	OVERALL DIMENSIONS			
DW	DH		SINGLE DOOR		DOUBLE DOOR	
			W	H	W	H
610	1981	70	1233	2042	2466	2042
686	1981		1385	2042	2770	2042
762	1981		1537	2042	3074	2042
838	1981		1689	2042	3378	2042
914	1981		1841	2042	3682	2042
626	2040		1264	2101	2528	2101
726	2040		1464	2101	2928	2101
826	2040		1664	2101	3328	2101
926	2040		1864	2101	3728	2101

Door Thickness: 35 - 44 mm

- Install at finished floor level.
- To obtain a sliding pocket door with two leaves it's necessary to join n°2 single door kits.
- See page 4 for stud dimensions

 **CAUTION**

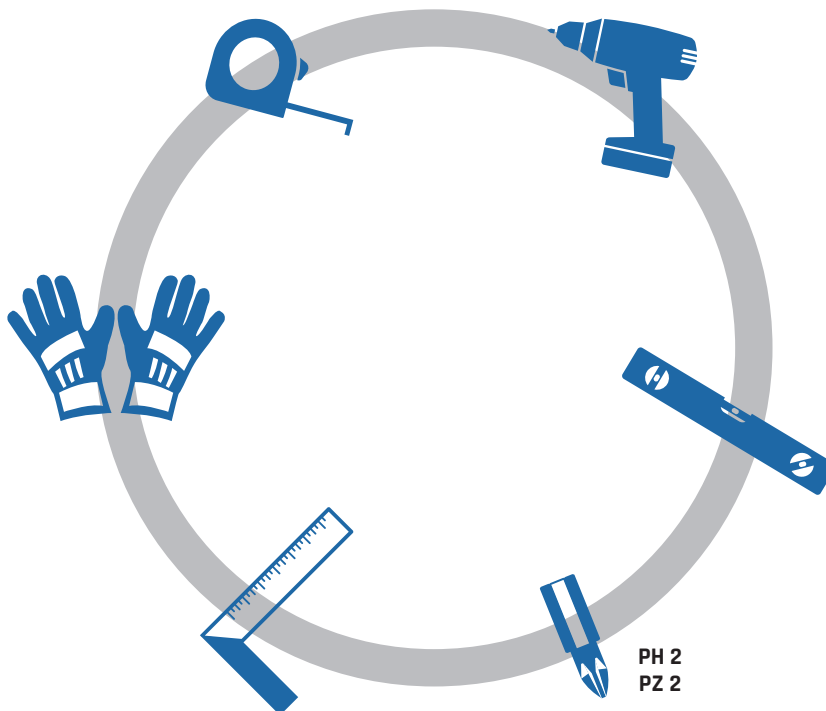
Please follow the instructions carefully as they have been designed to help you, don't skip any pages or stages as you may cause yourself problems. Use the correct tools and relevant protective clothing/eyewear, gloves are essential as there may be some sharp edges. A pair of trestles would be useful for the assembly.

**WANT TO SEE
HOW IT'S DONE?**



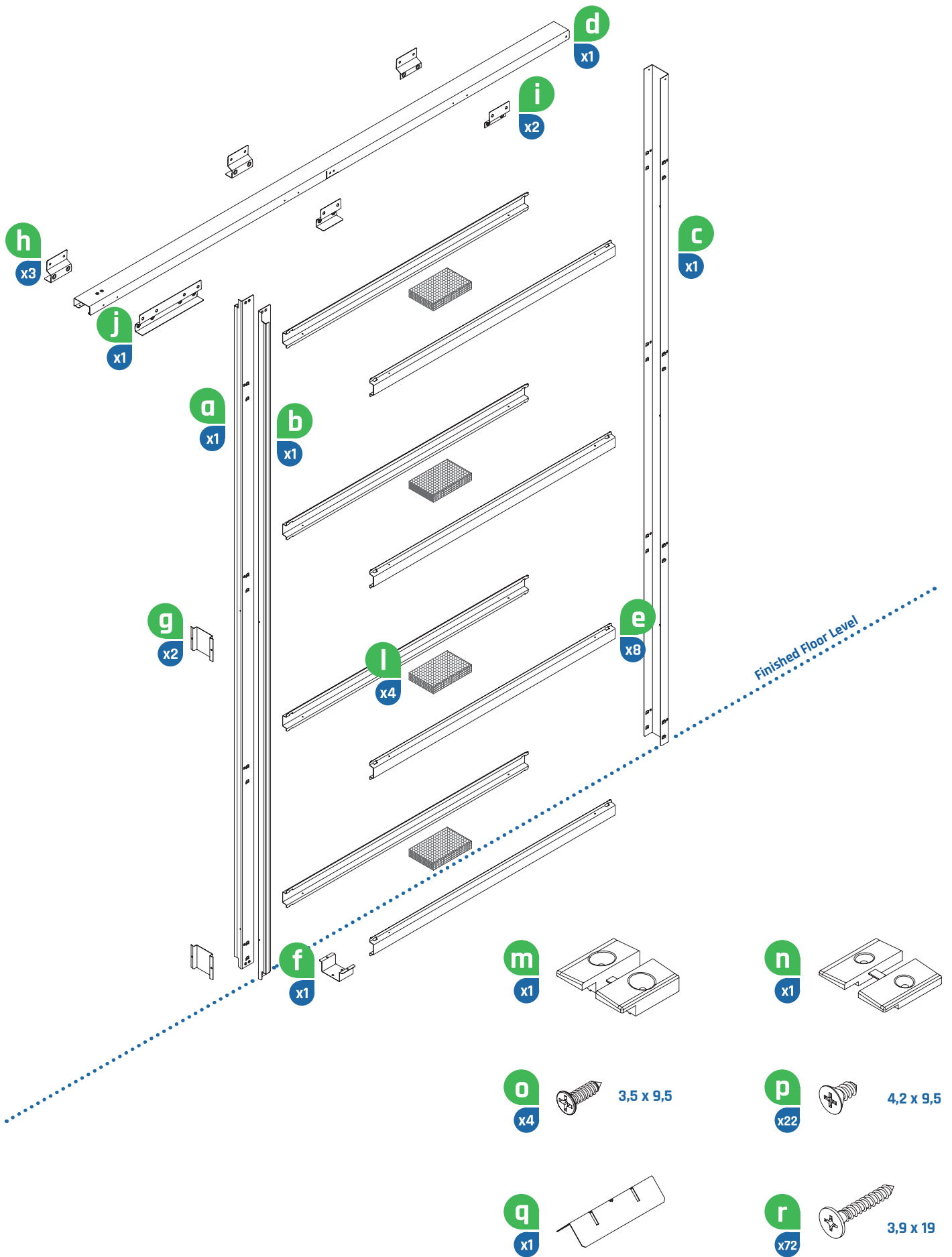
**GO TO WWW.ROCKETDOORFRAMES.CO.UK
TO SEE THE INSTALLATION VIDEO**

TOOLS REQUIRED



CONTENTS

EACH KIT CONTAINS:



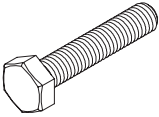
CONTENTS

EACH KIT CONTAINS:

aa
x2



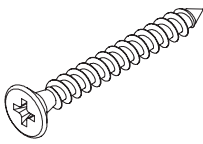
bb
x2



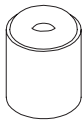
cc
x2



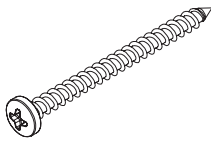
dd
x8



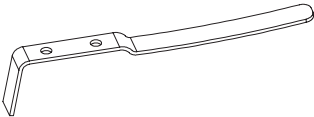
ee
x1



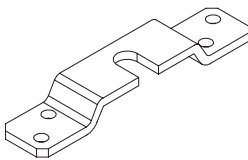
ff
x1



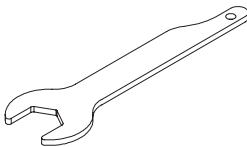
gg
x1



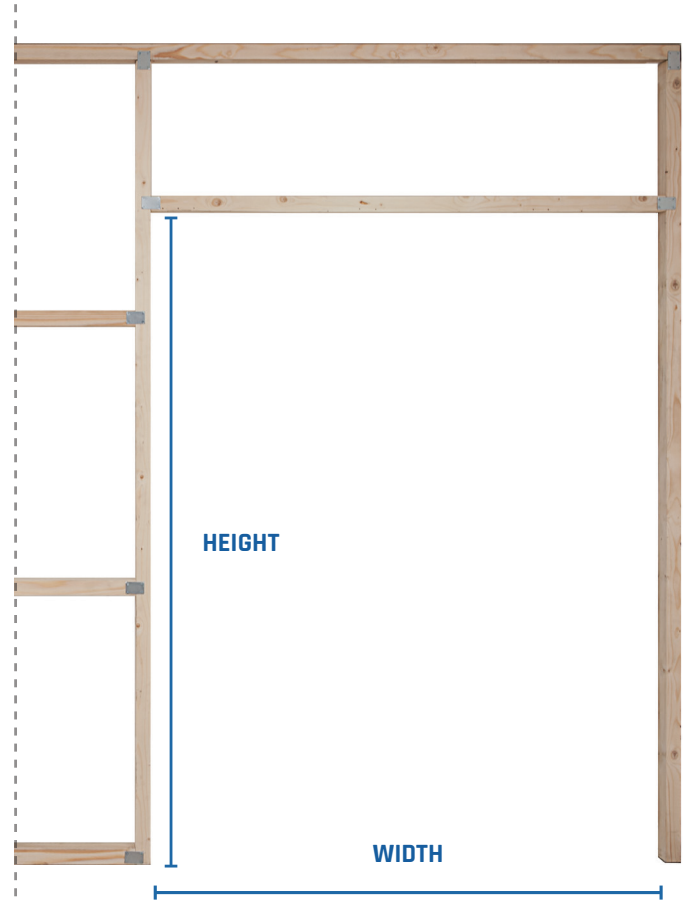
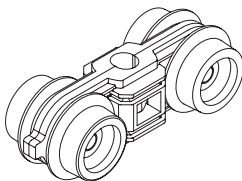
hh
x2



ii
x2



ll
x2

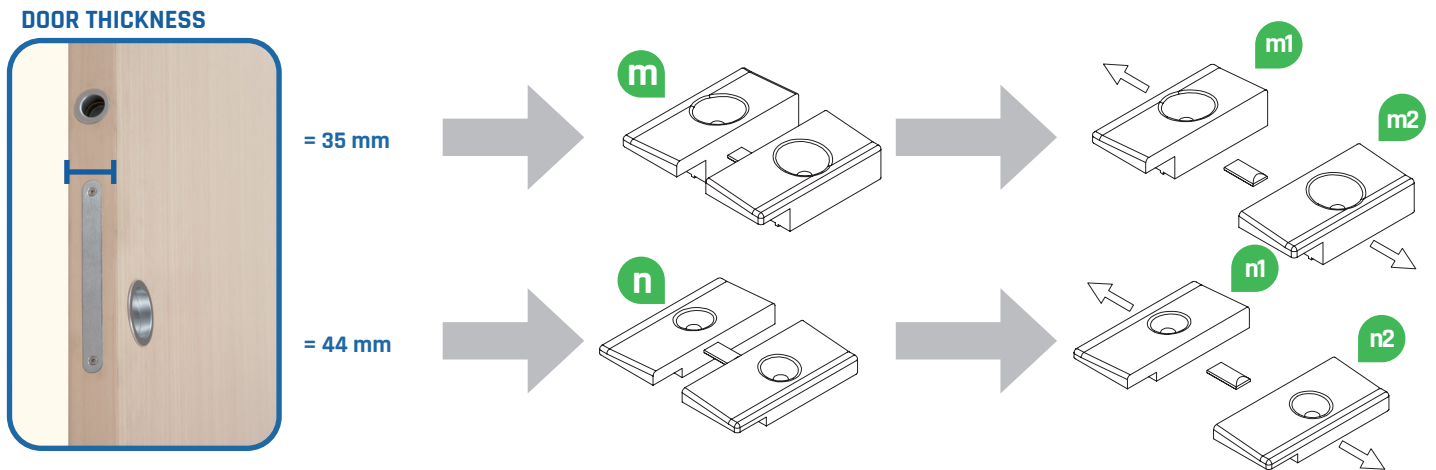


DOOR PANEL		OVERALL DIMENSIONS			
		SINGLE DOOR		DOUBLE DOOR	
DW	DH	W	H	W	H
610	1981	1233	2042	2466	2042
686	1981	1385	2042	2770	2042
762	1981	1537	2042	3074	2042
838	1981	1689	2042	3378	2042
914	1981	1841	2042	3682	2042
626	2040	1264	2101	2528	2101
726	2040	1464	2101	2928	2101
826	2040	1664	2101	3328	2101
926	2040	1864	2101	3728	2101

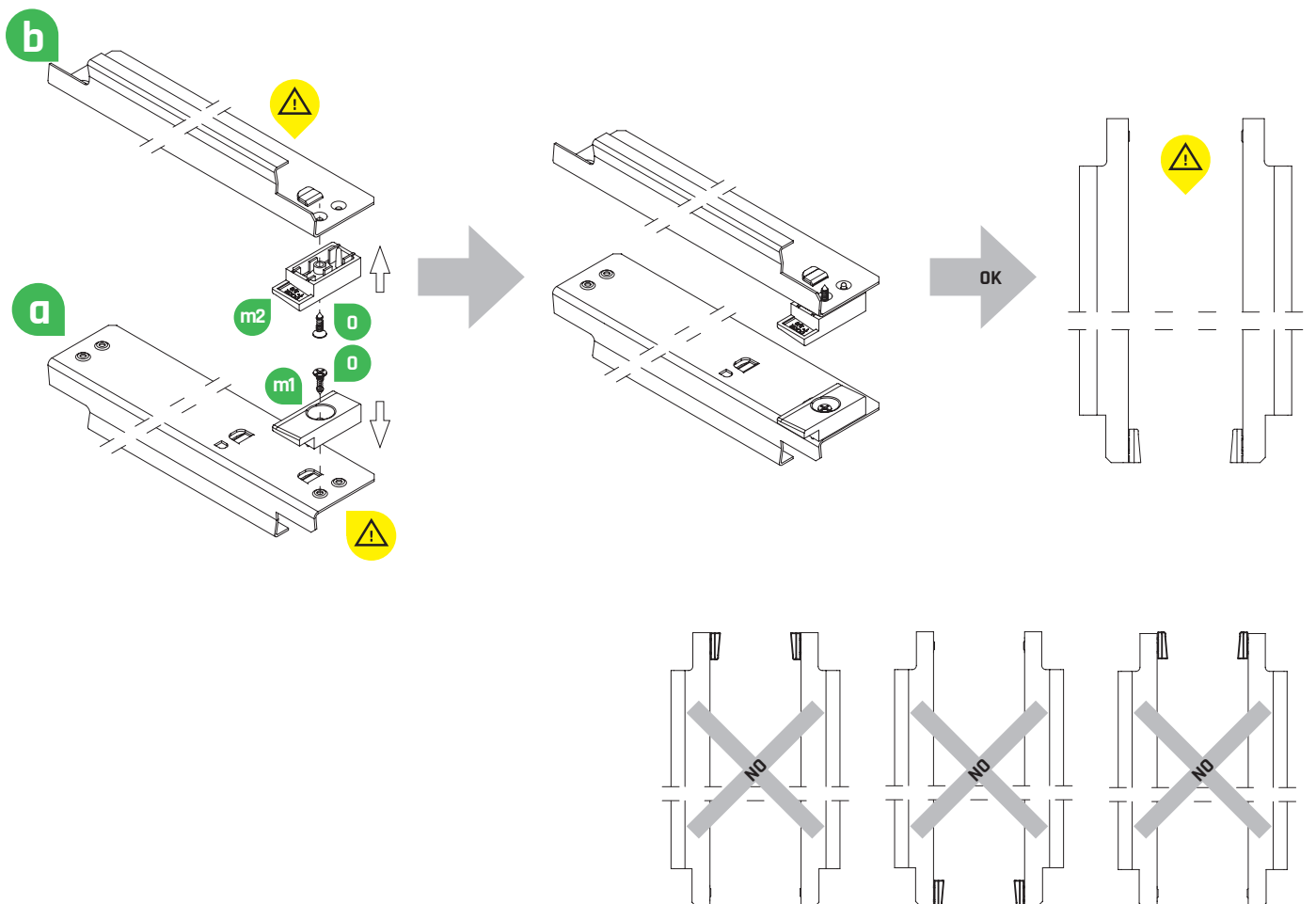
Door Thickness: 35 - 44 mm

CHOOSING THE DOOR GUIDE

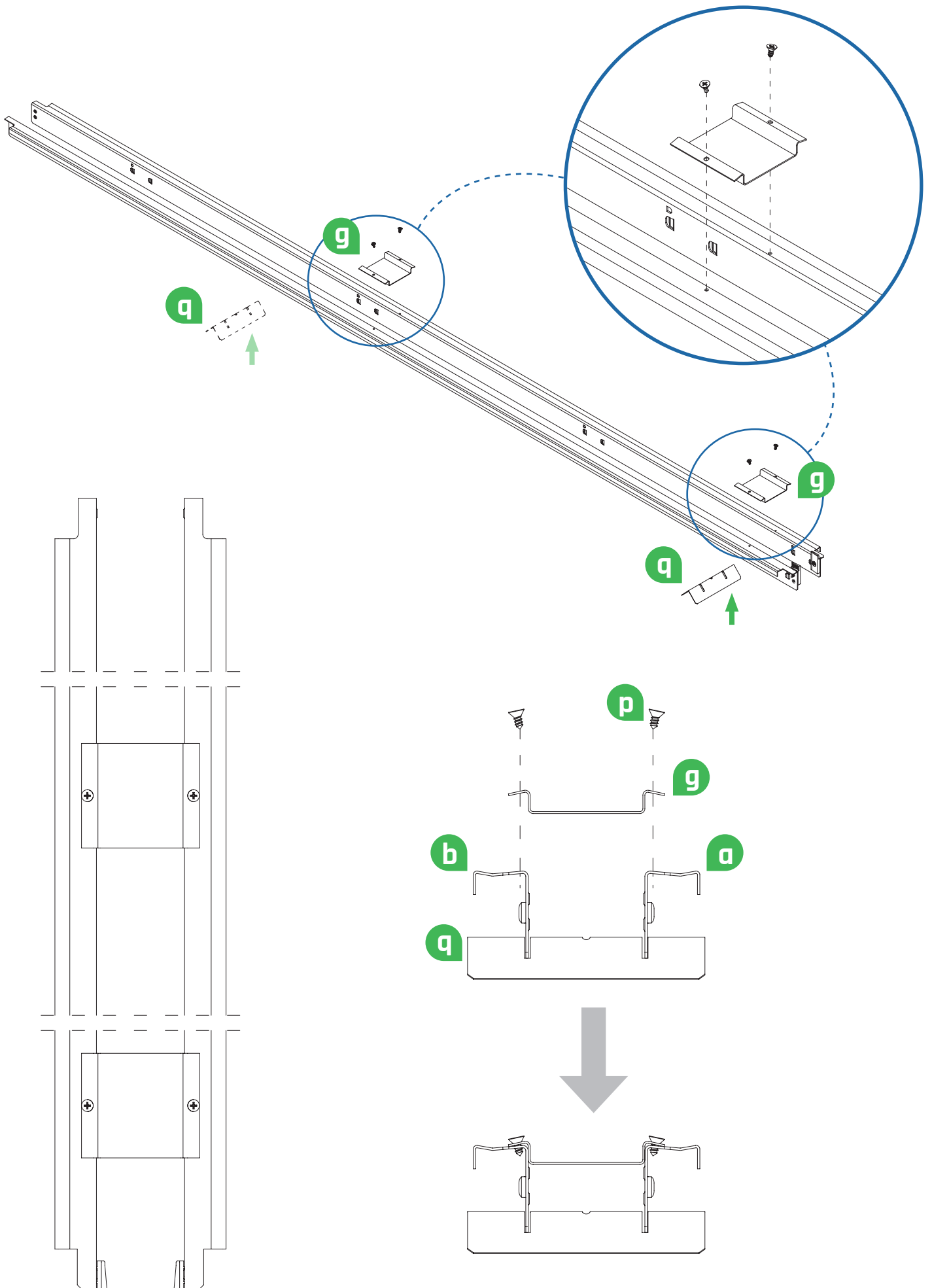
FOR WOODEN DOORS ONLY

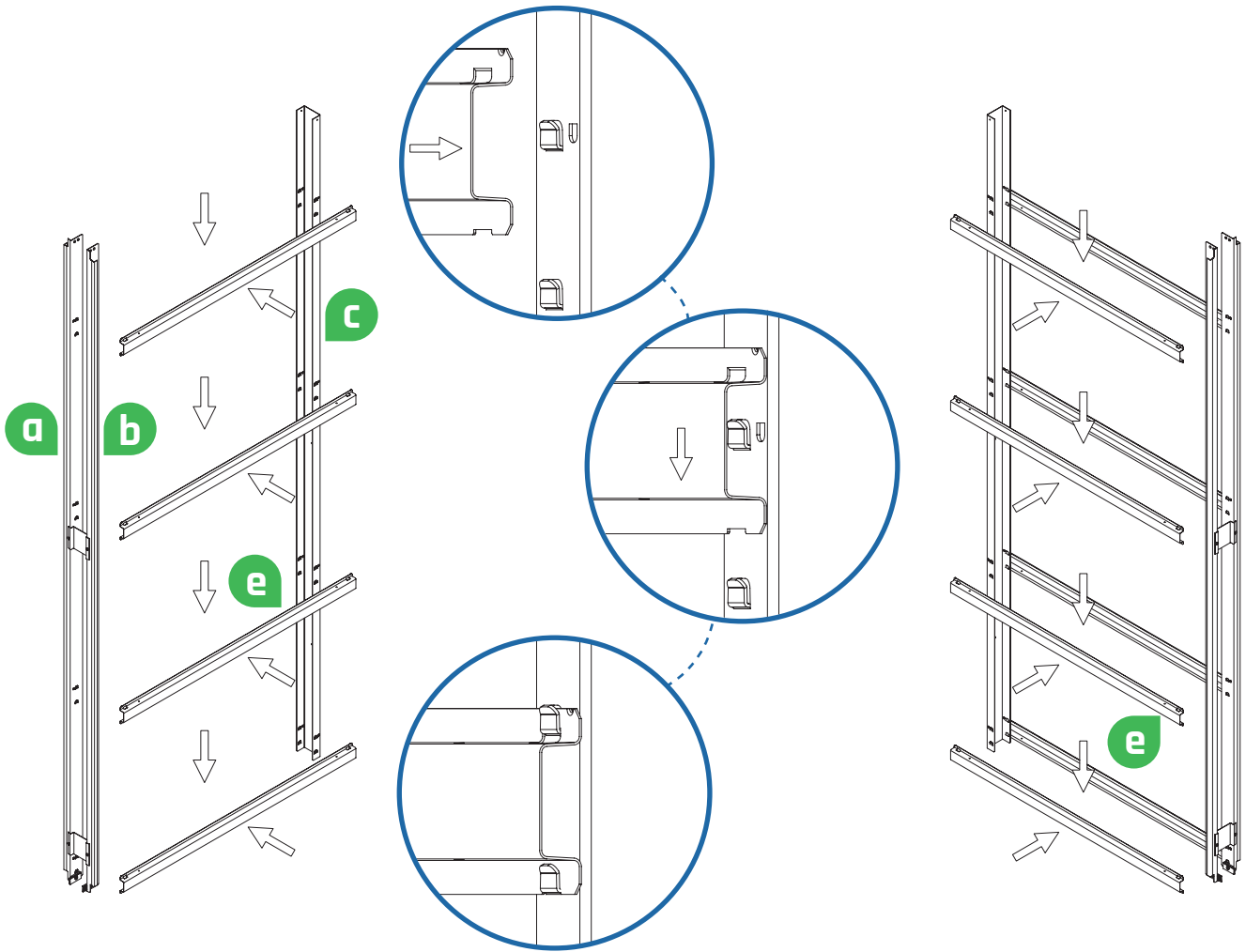


FOR EXAMPLE 35 mm THICK DOOR

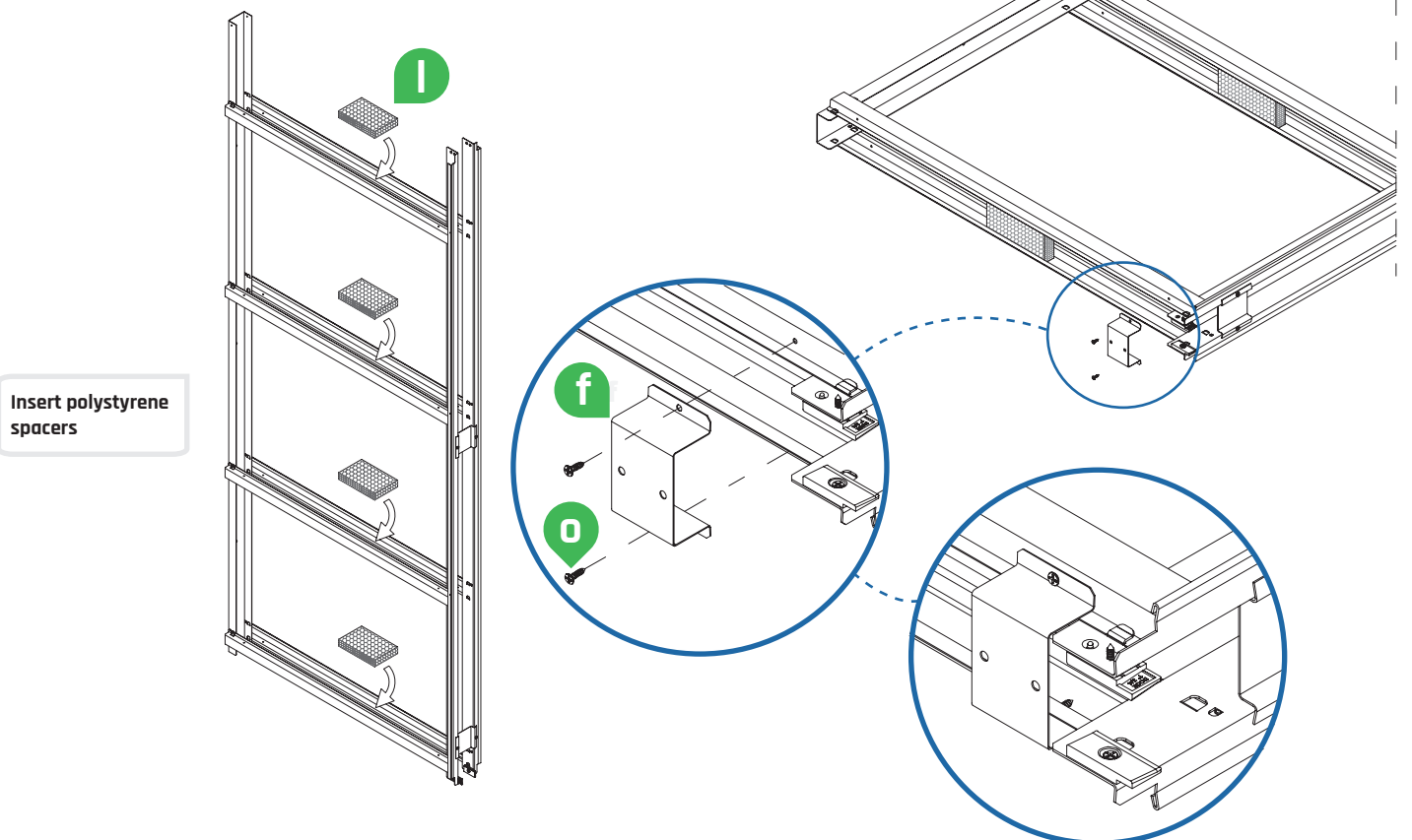


ATTACHING THE BRACKETS



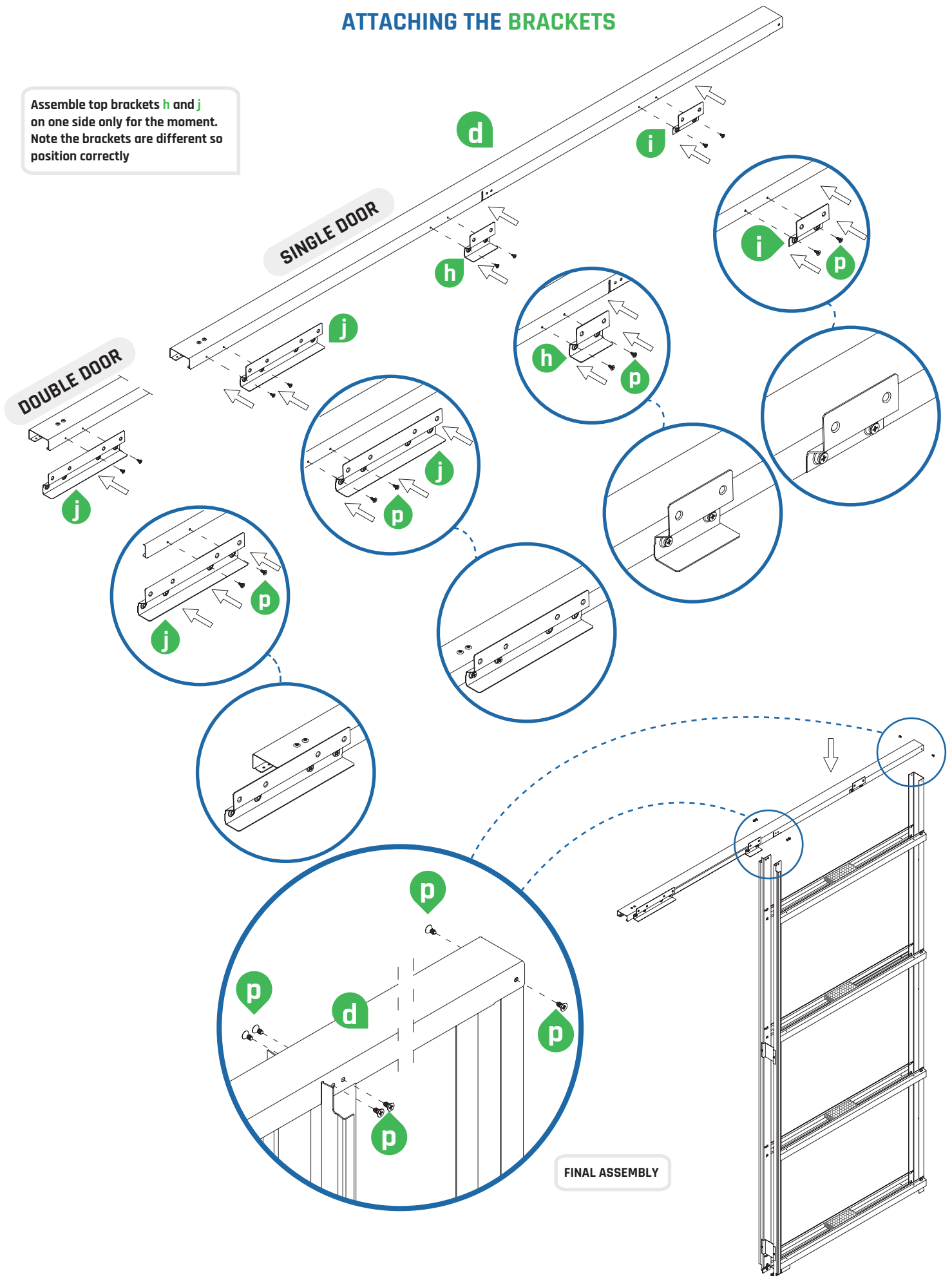


FRAME ASSEMBLING

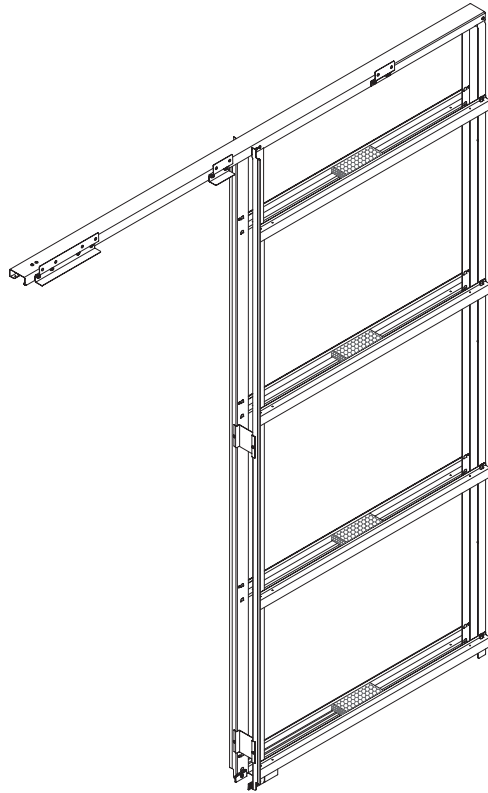


ATTACHING THE BRACKETS

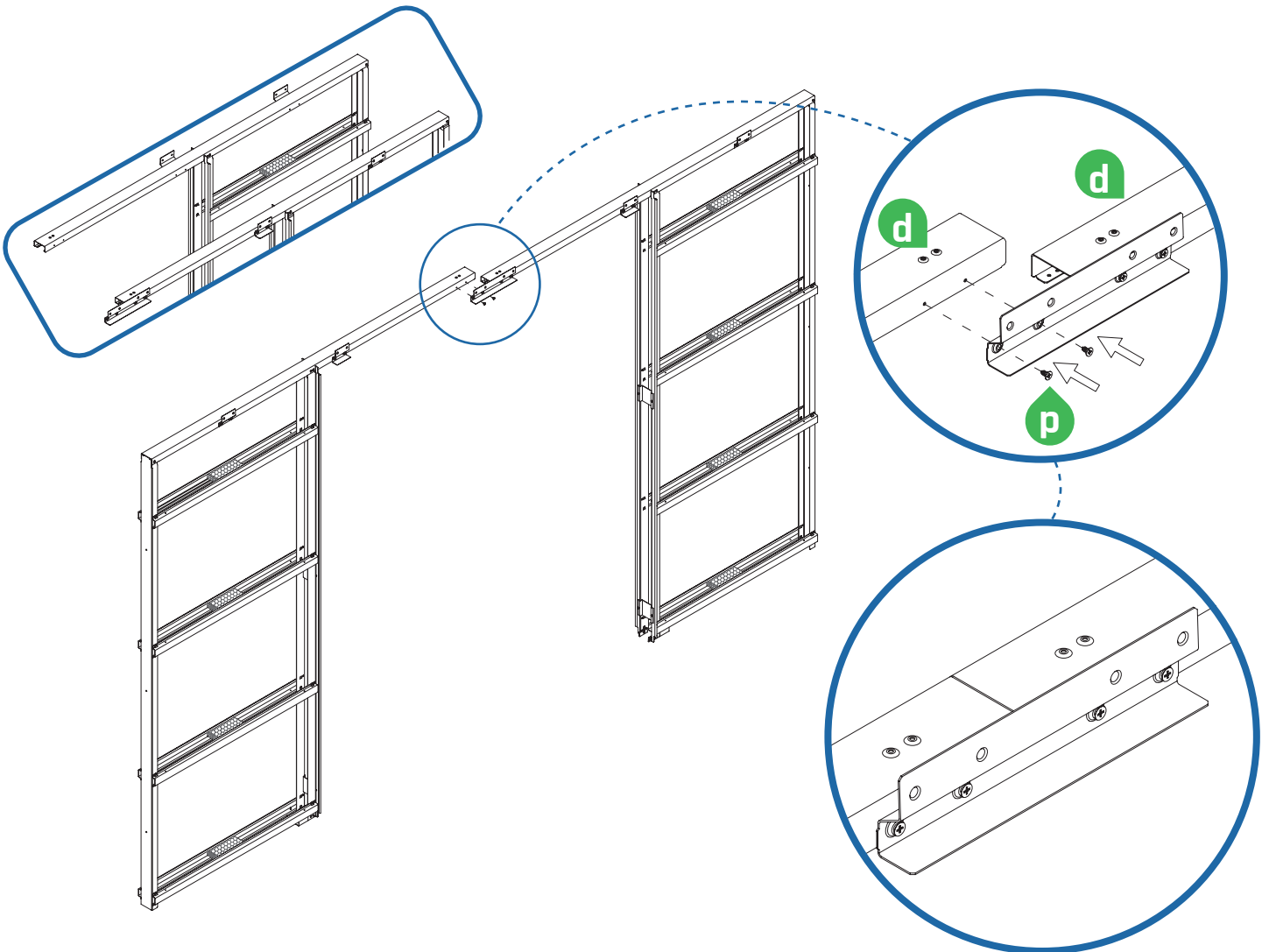
Assemble top brackets **h** and **j** on one side only for the moment. Note the brackets are different so position correctly



SINGLE DOOR

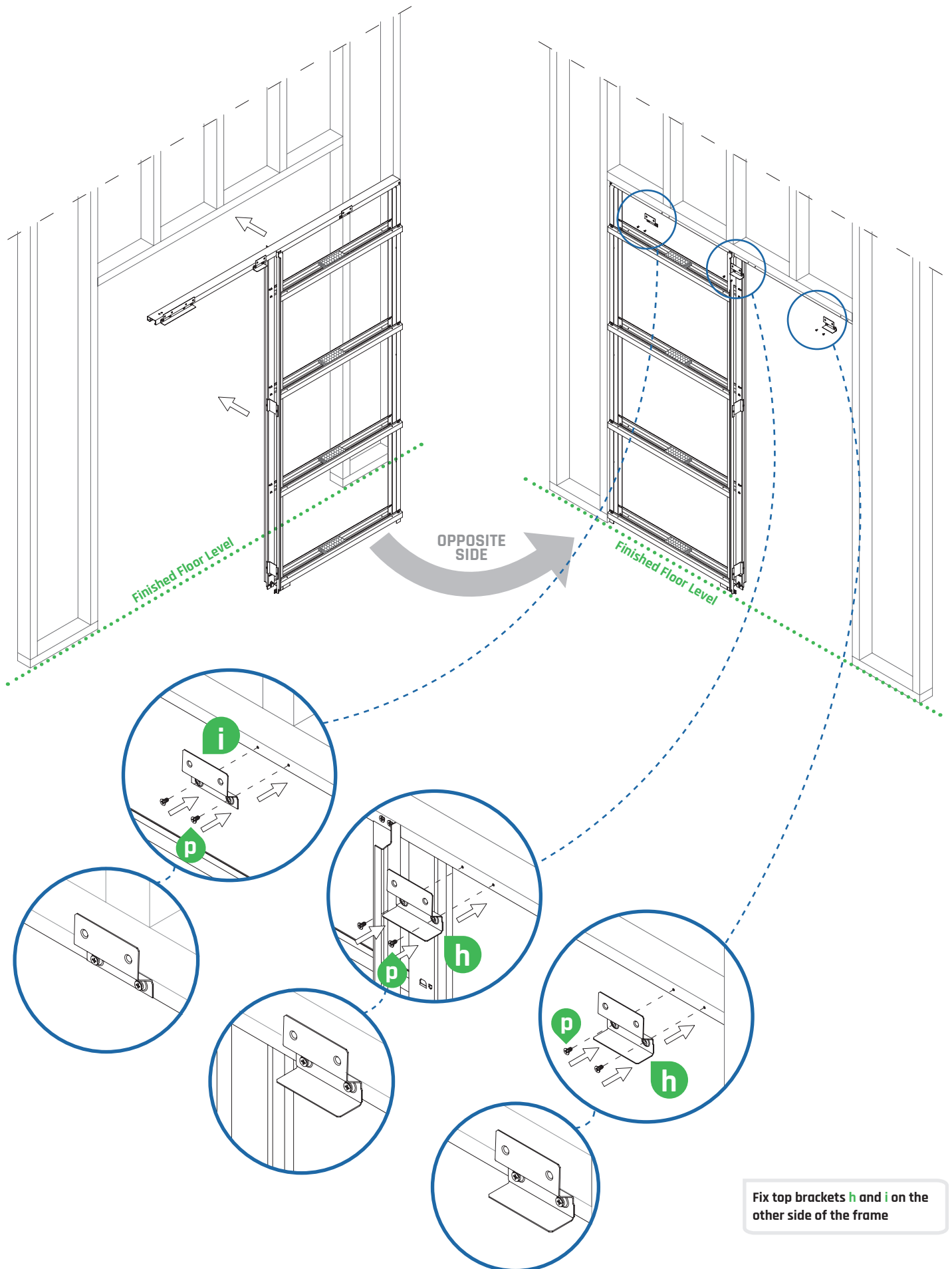


DOUBLE DOOR



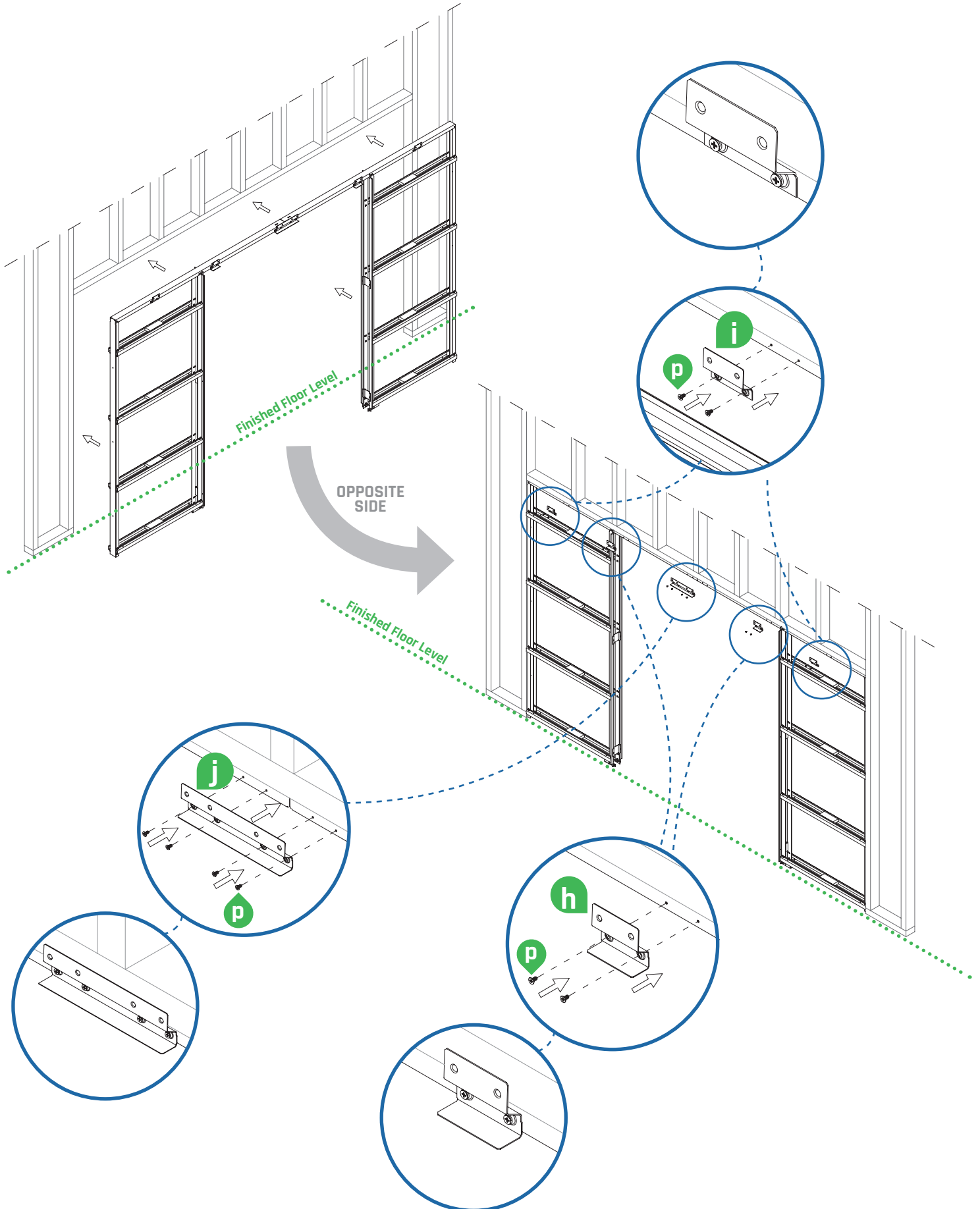
INSTALLING IN STUDWORK

SINGLE DOOR



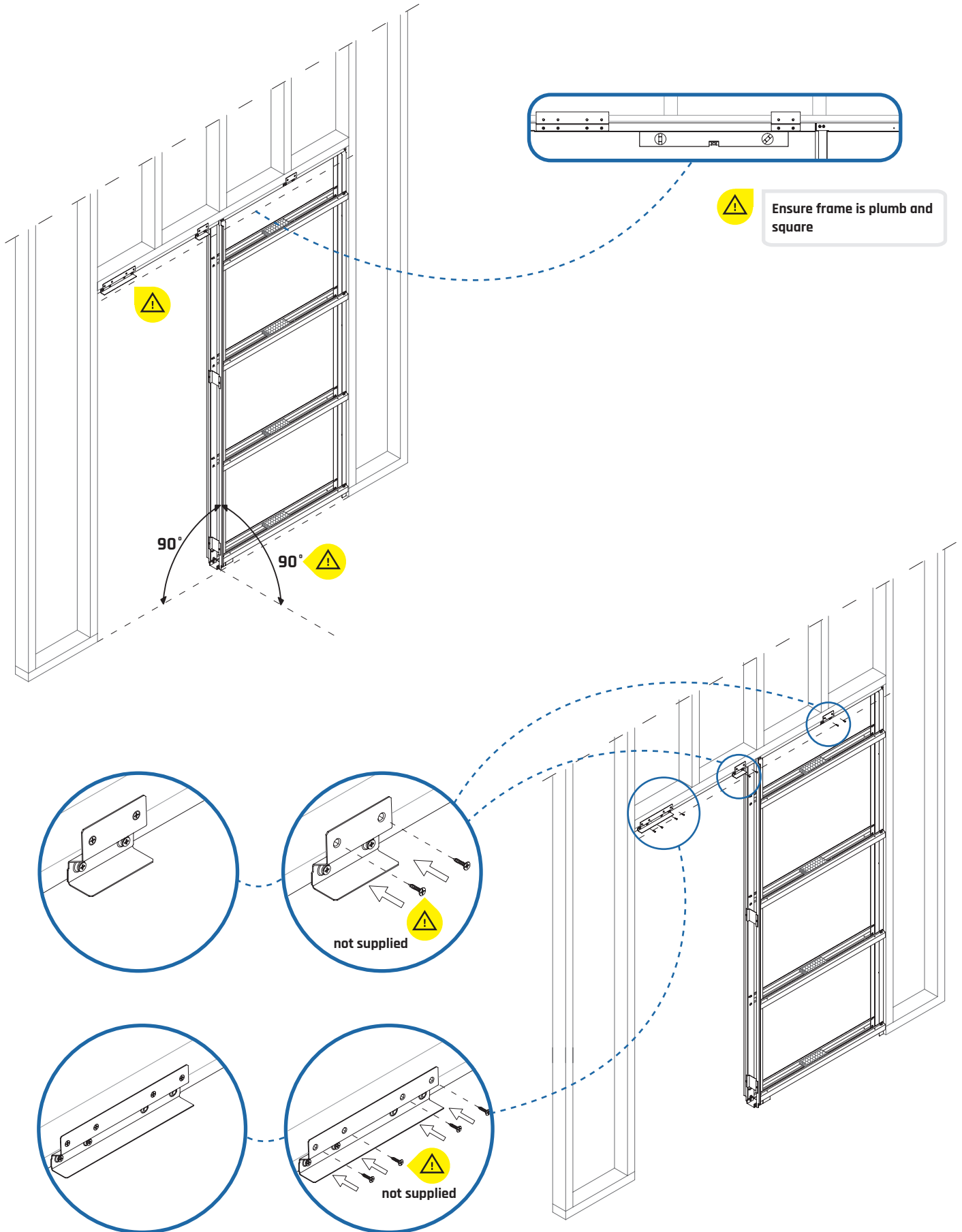
INSTALLING IN STUDWORK

DOUBLE DOOR



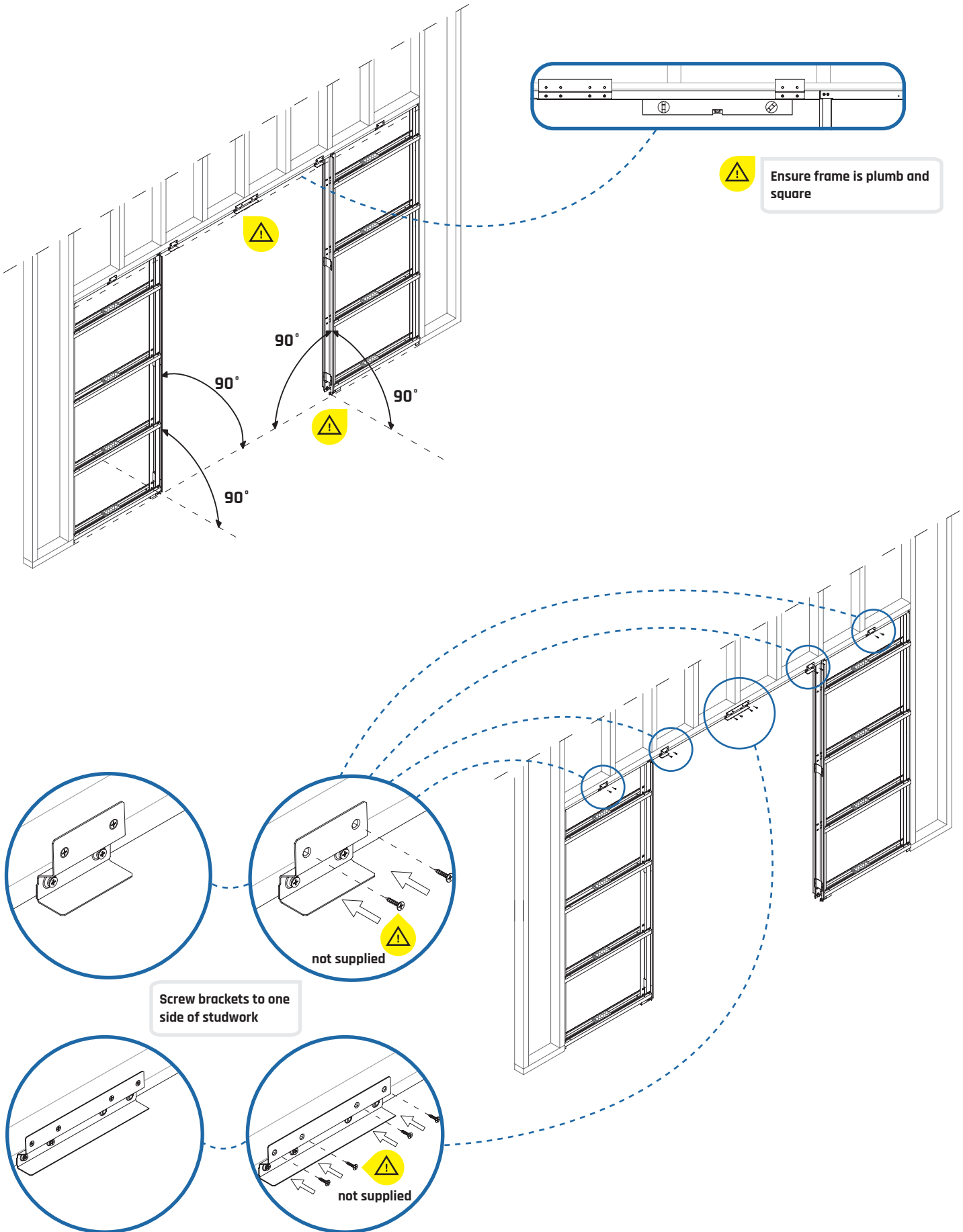
INSTALLING IN STUDWORK

SINGLE DOOR



INSTALLING IN STUDWORK

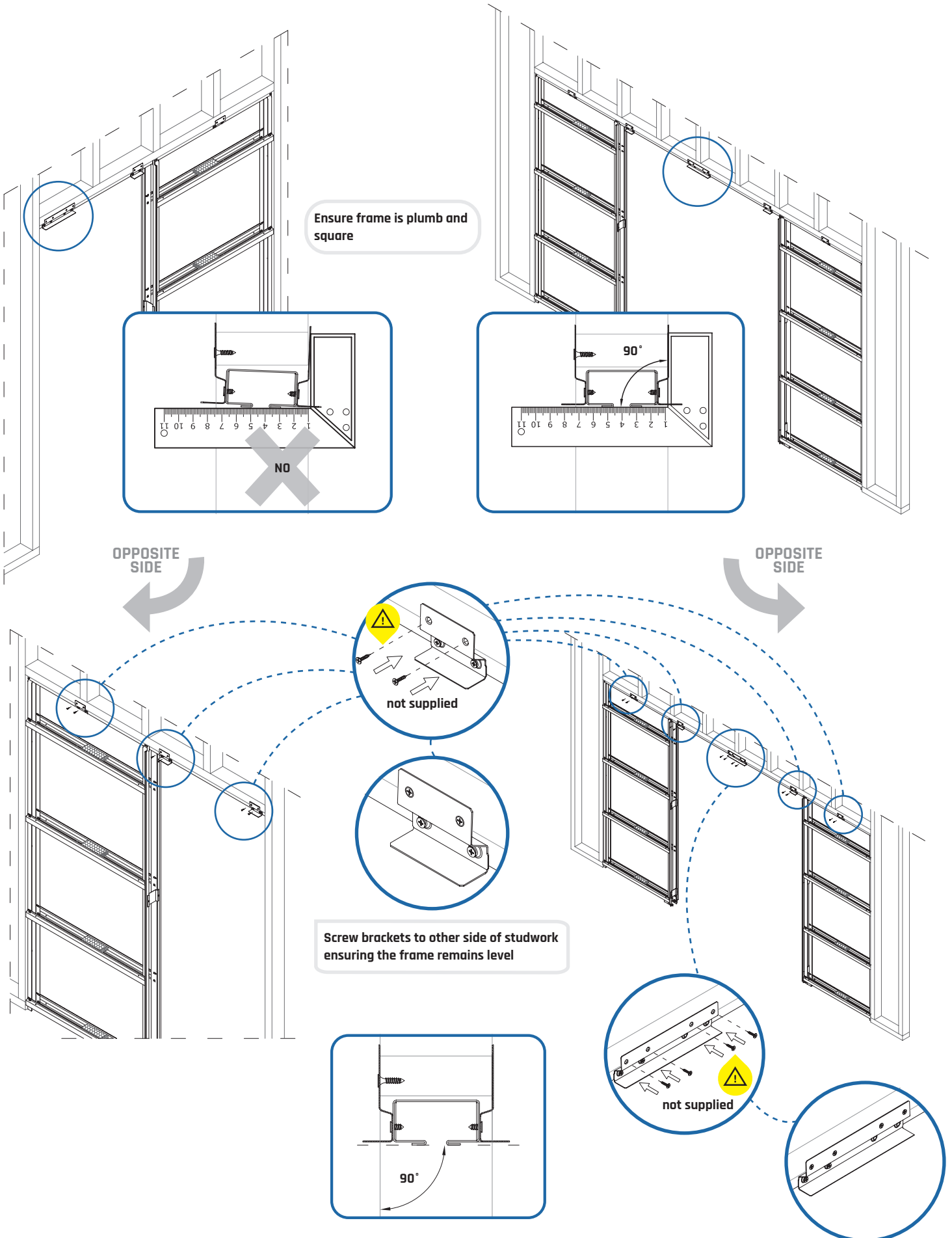
DOUBLE DOOR



INSTALLING IN STUDWORK

SINGLE DOOR

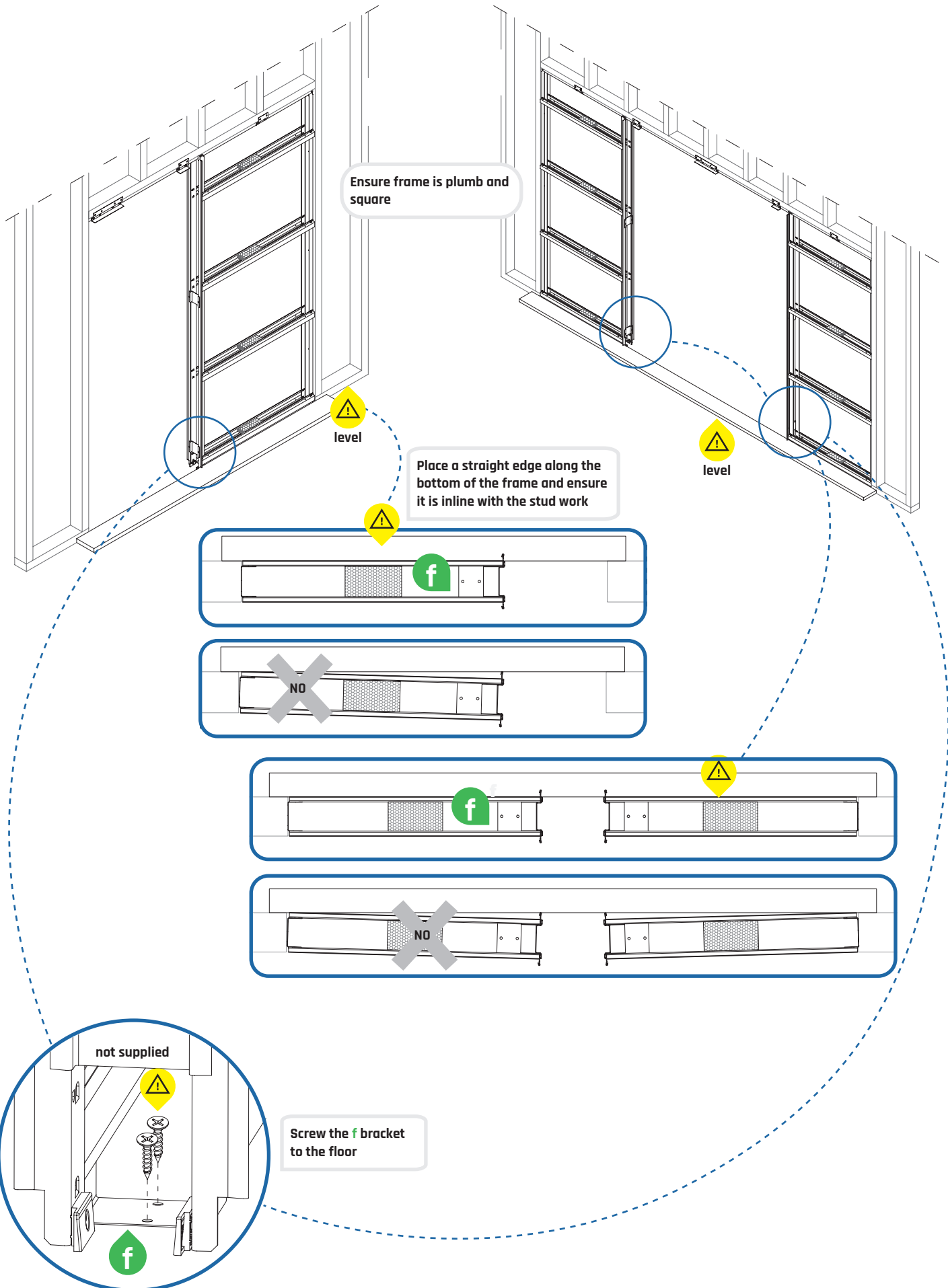
DOUBLE DOOR



INSTALLING IN STUDWORK

SINGLE DOOR

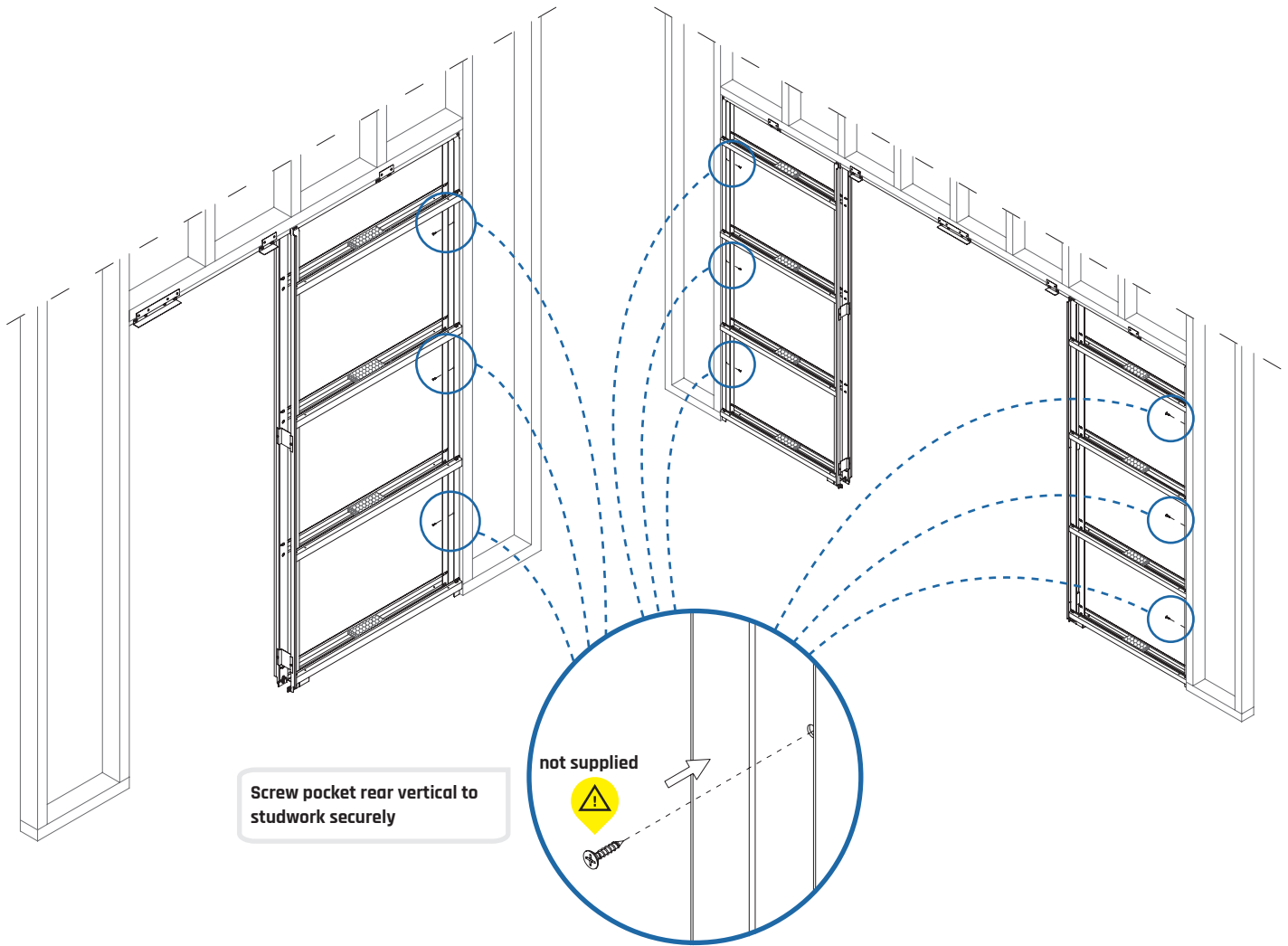
DOUBLE DOOR



SCREWING THE REAR VERTICAL TO THE STUDWORK

SINGLE DOOR

DOUBLE DOOR

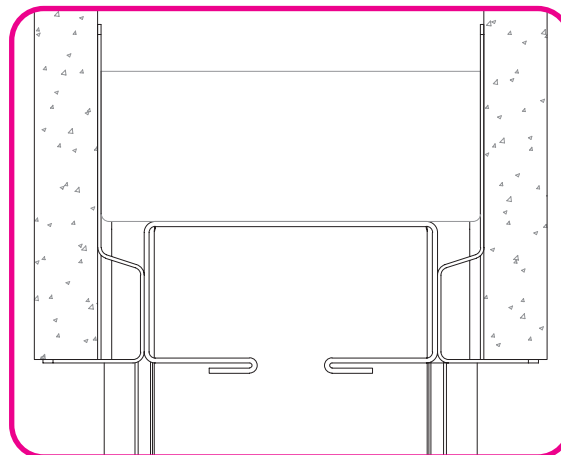


Screw pocket rear vertical to studwork securely

not supplied



x2



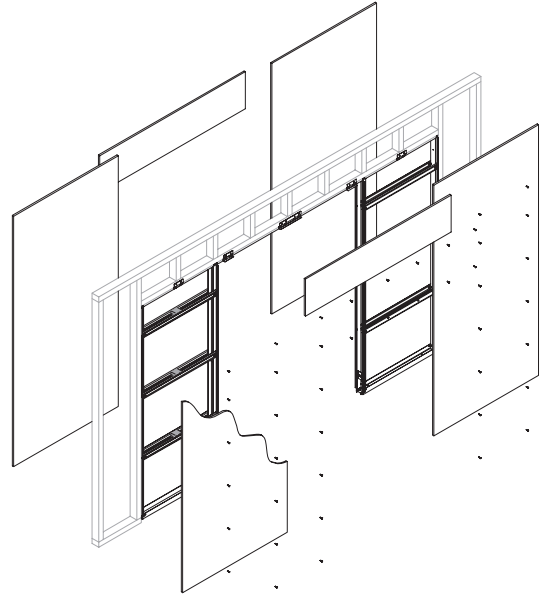
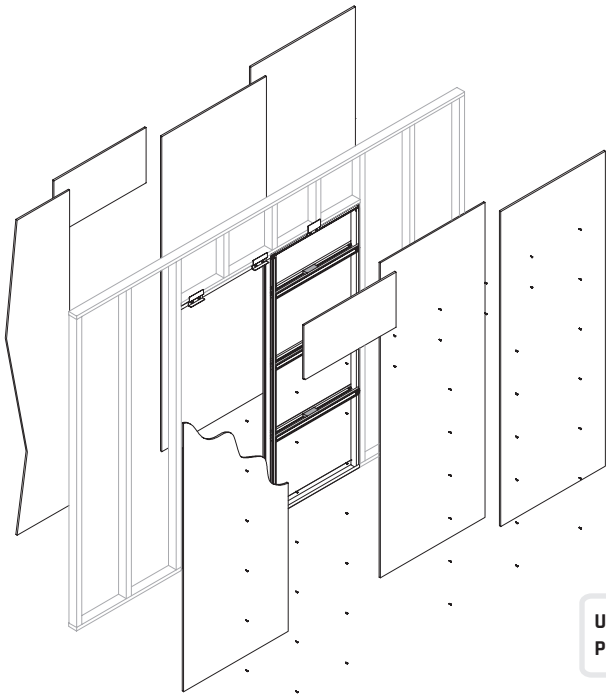
CAREFULLY CLEAN THE TRACK TWICE

IF INSTALLING A GLASS DOOR PLEASE REFER TO THE GLASS DOOR INSTRUCTIONS LOCATED IN THE GLASS DOOR

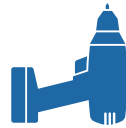
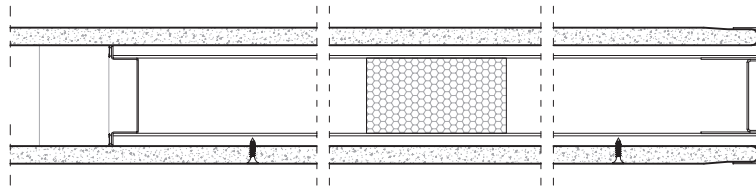
FIXING THE PLASTERBOARD

SINGLE DOOR

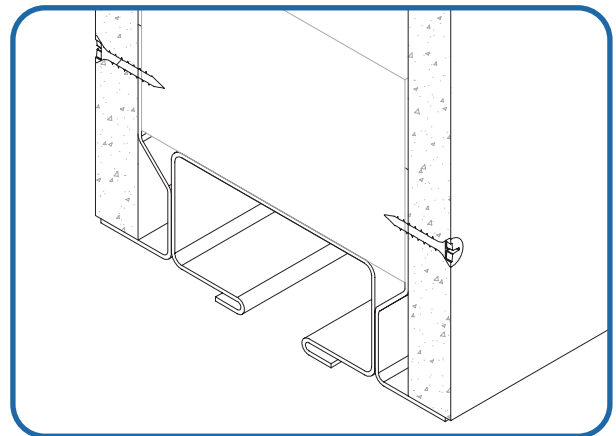
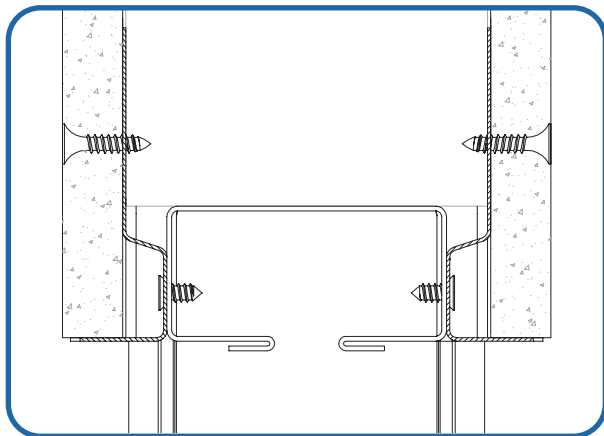
DOUBLE DOOR



USE 12.5 mm
PLASTERBOARD



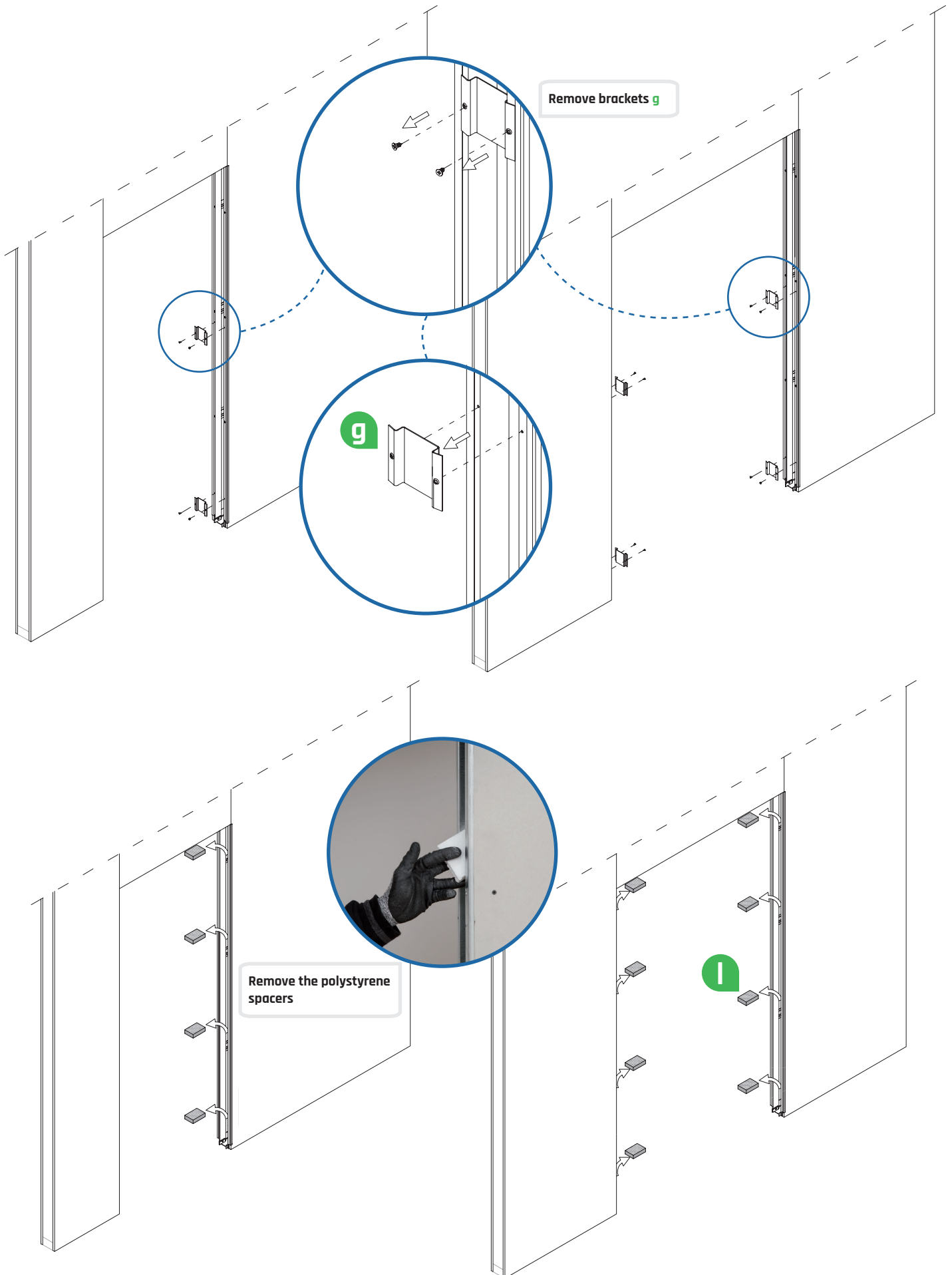
Use supplied
19 mm screws



REMOVING BRACKETS AND SPACERS

SINGLE DOOR

DOUBLE DOOR



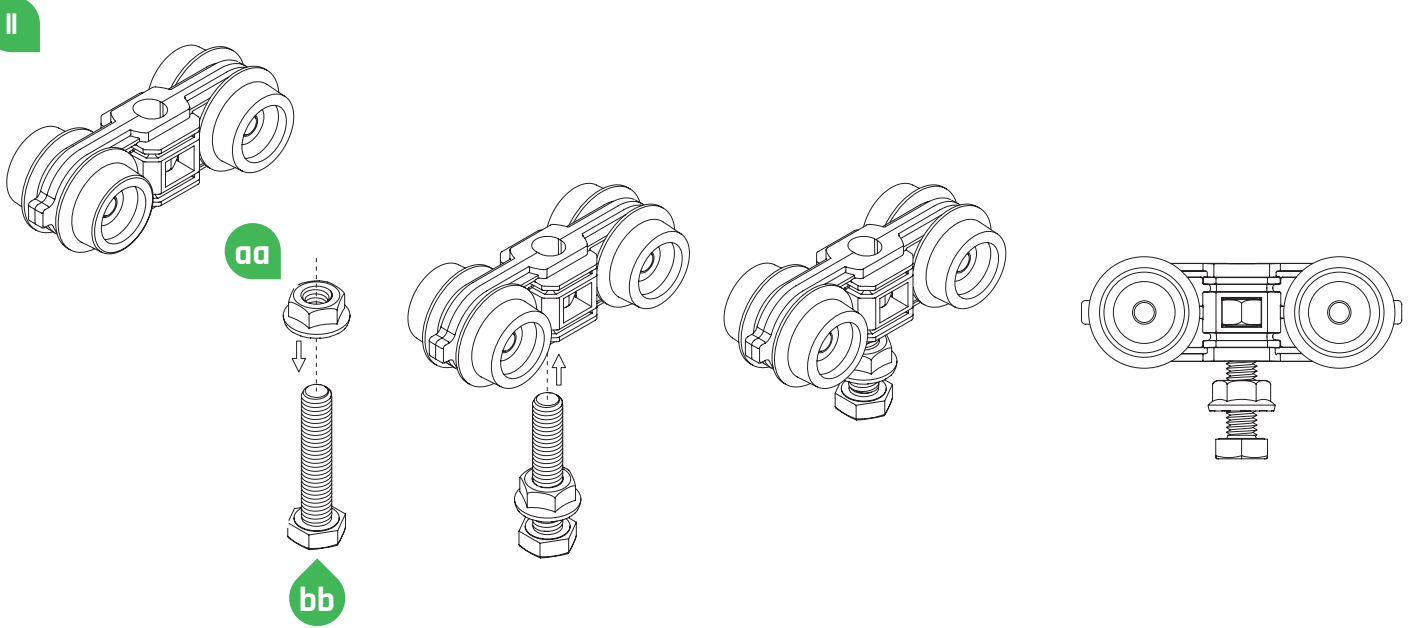
RUNNERS ASSEMBLING

X2

SINGLE DOOR

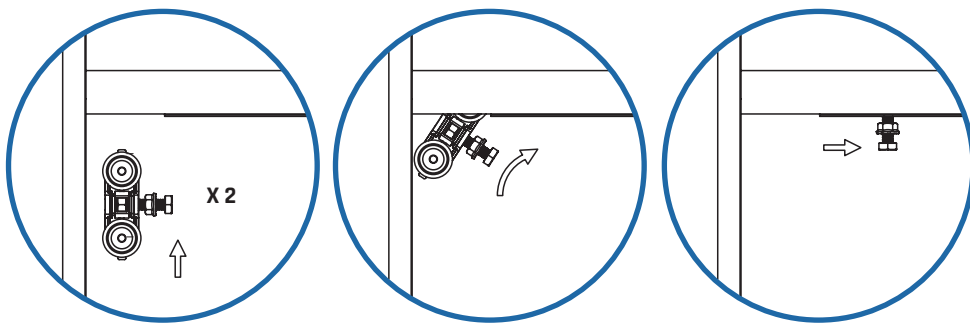
X4

DOUBLE DOOR

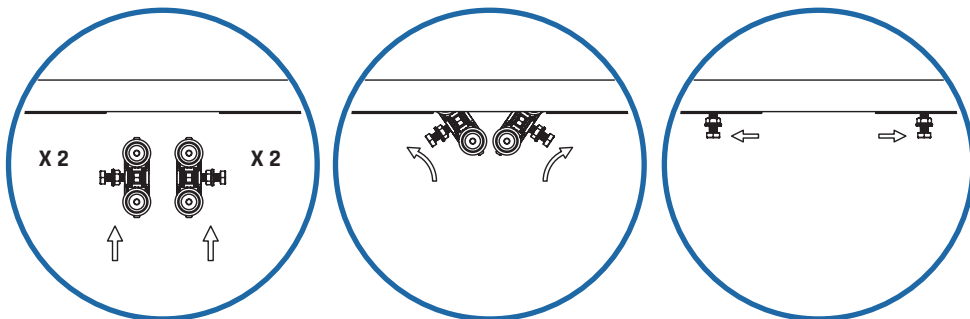


INSERT RUNNERS INTO TRACK

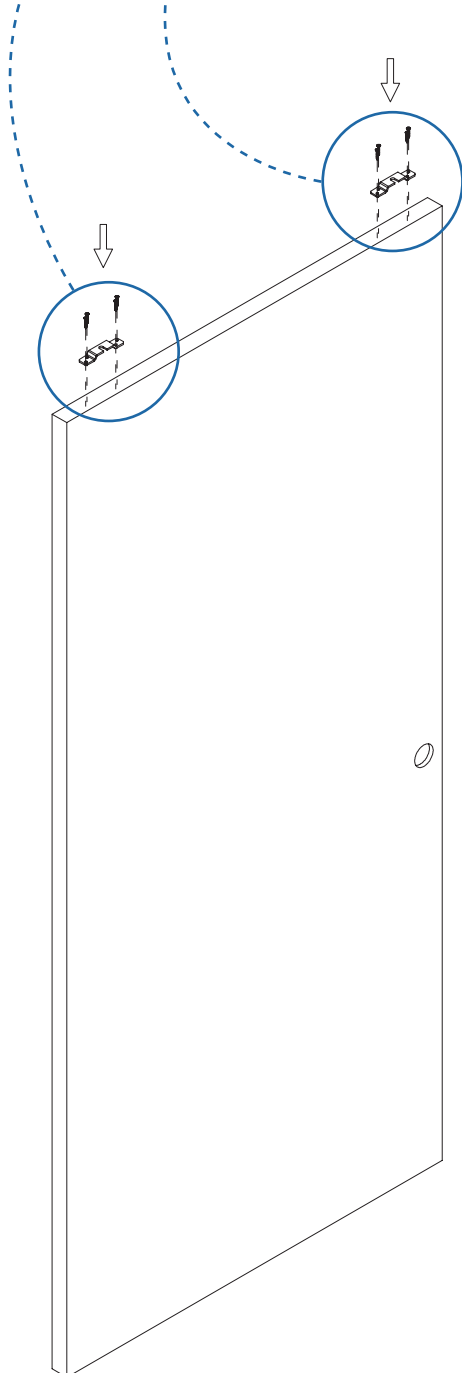
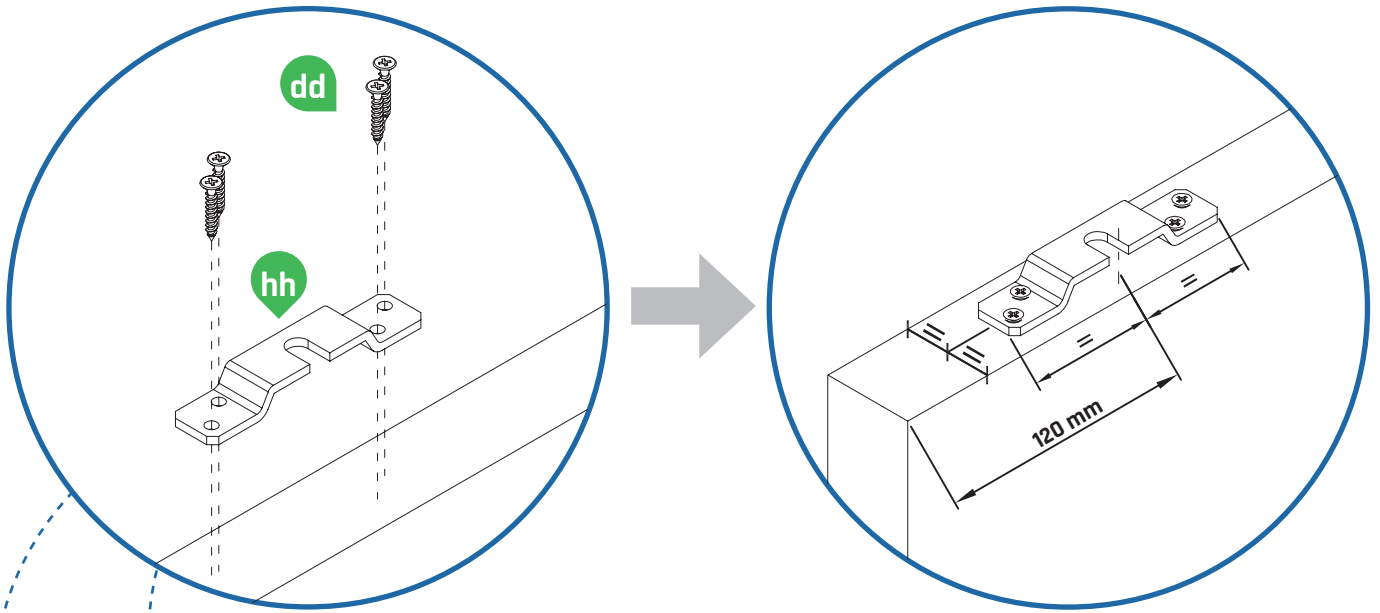
SINGLE DOOR



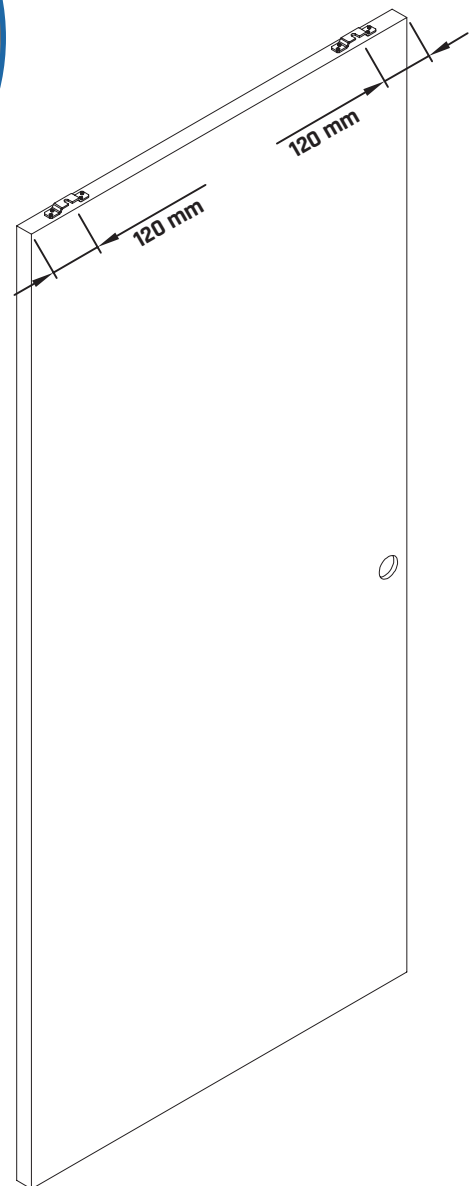
DOUBLE DOOR



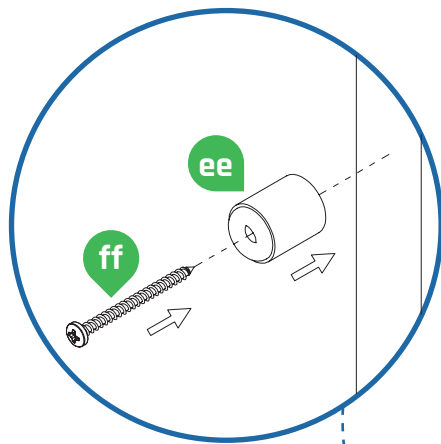
INSTALLING DOOR BRACKETS



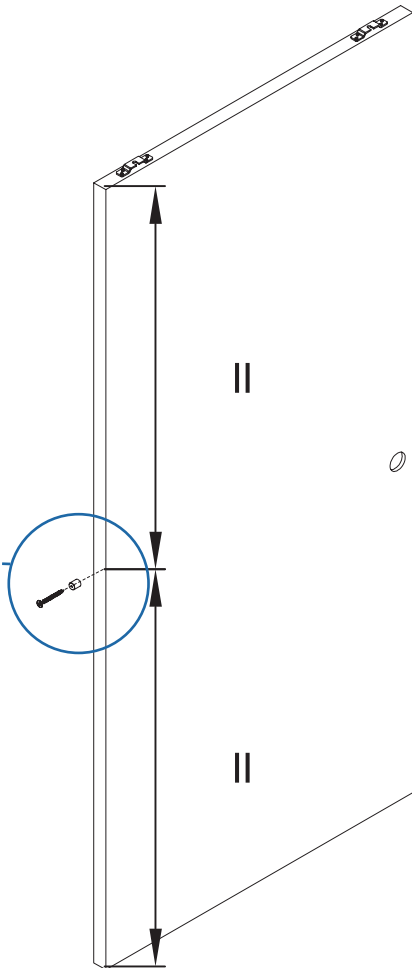
IMPORTANT:
for double doors position
front bracket on each door at
90 mm instead of 120 mm.



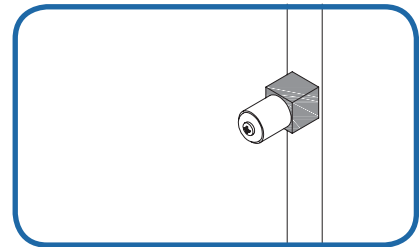
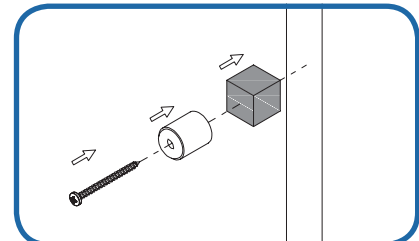
INSTALLING REAR DOOR BUMPER



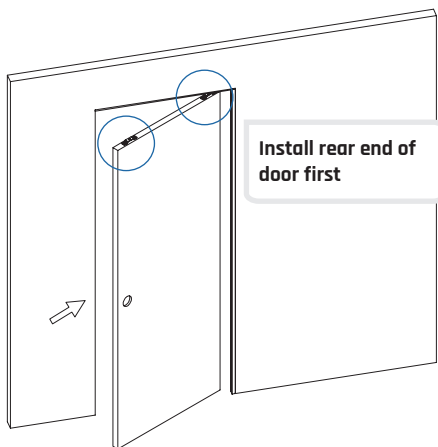
Screw in front doorstop using supplied screws and pre drilled holes



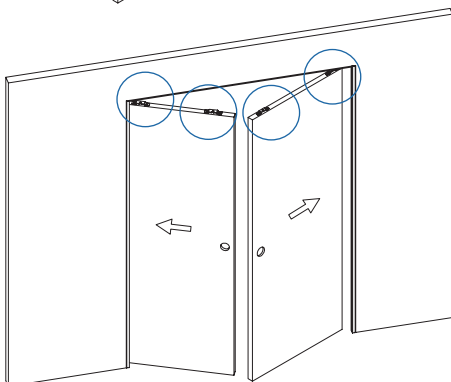
If you wish to adjust the door to protrude from the pocket when fully open, you need to add a distance piece between the rear of the door and the rubber bumper. We recommend this when using flush pulls to eliminate the risk of trapped fingers.



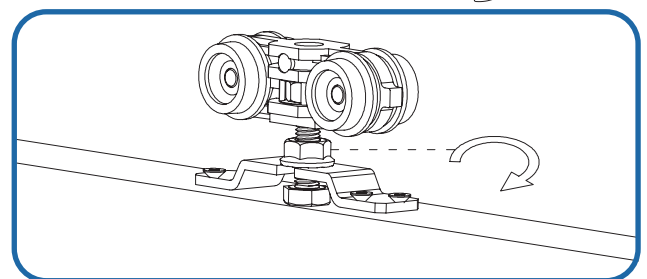
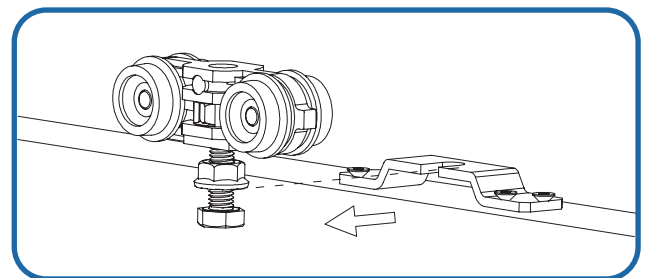
INSTALLING DOOR PANEL



Install rear end of door first

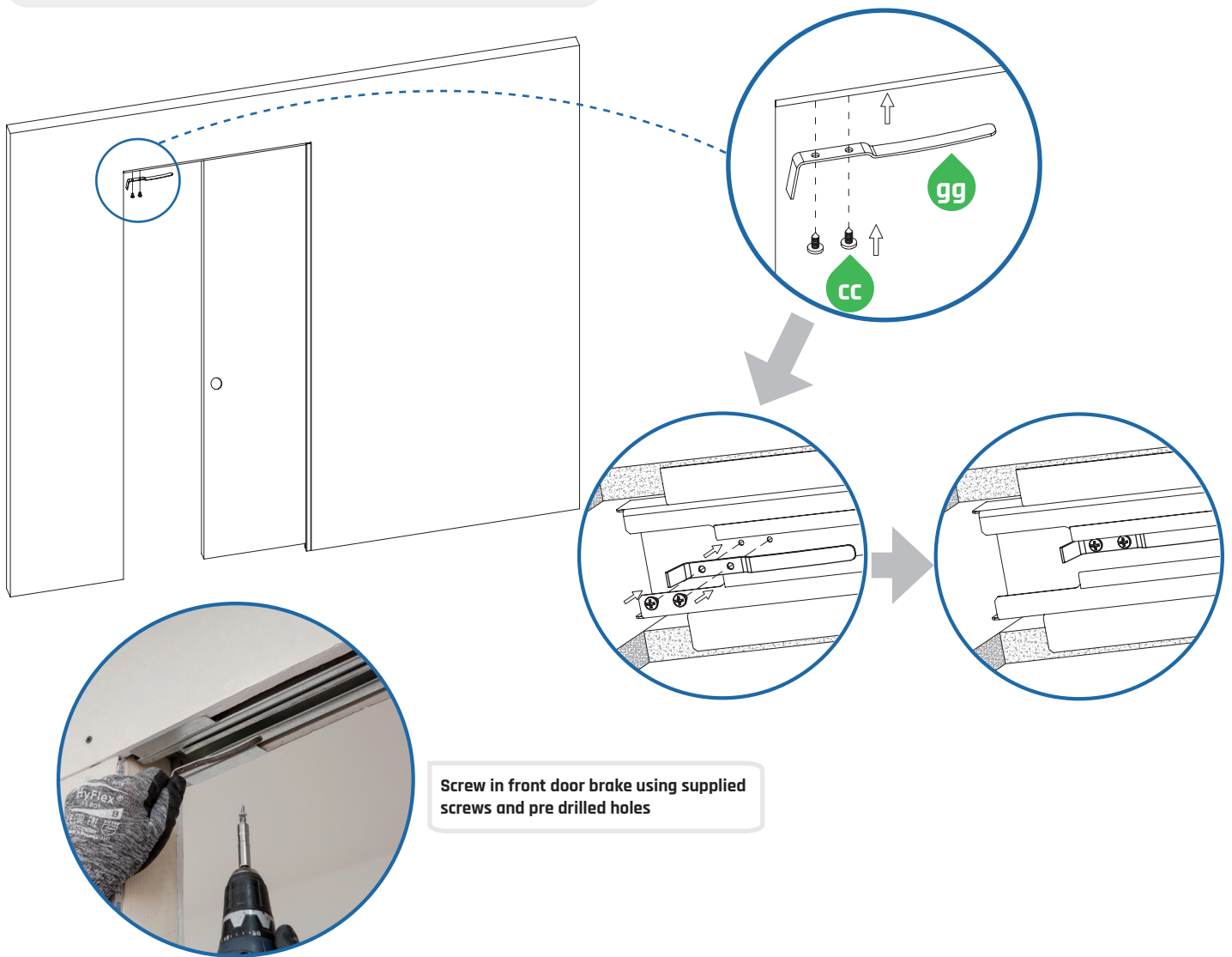


Adjust door height to be 7 mm above the floor and lock into position with by tightening lock nut

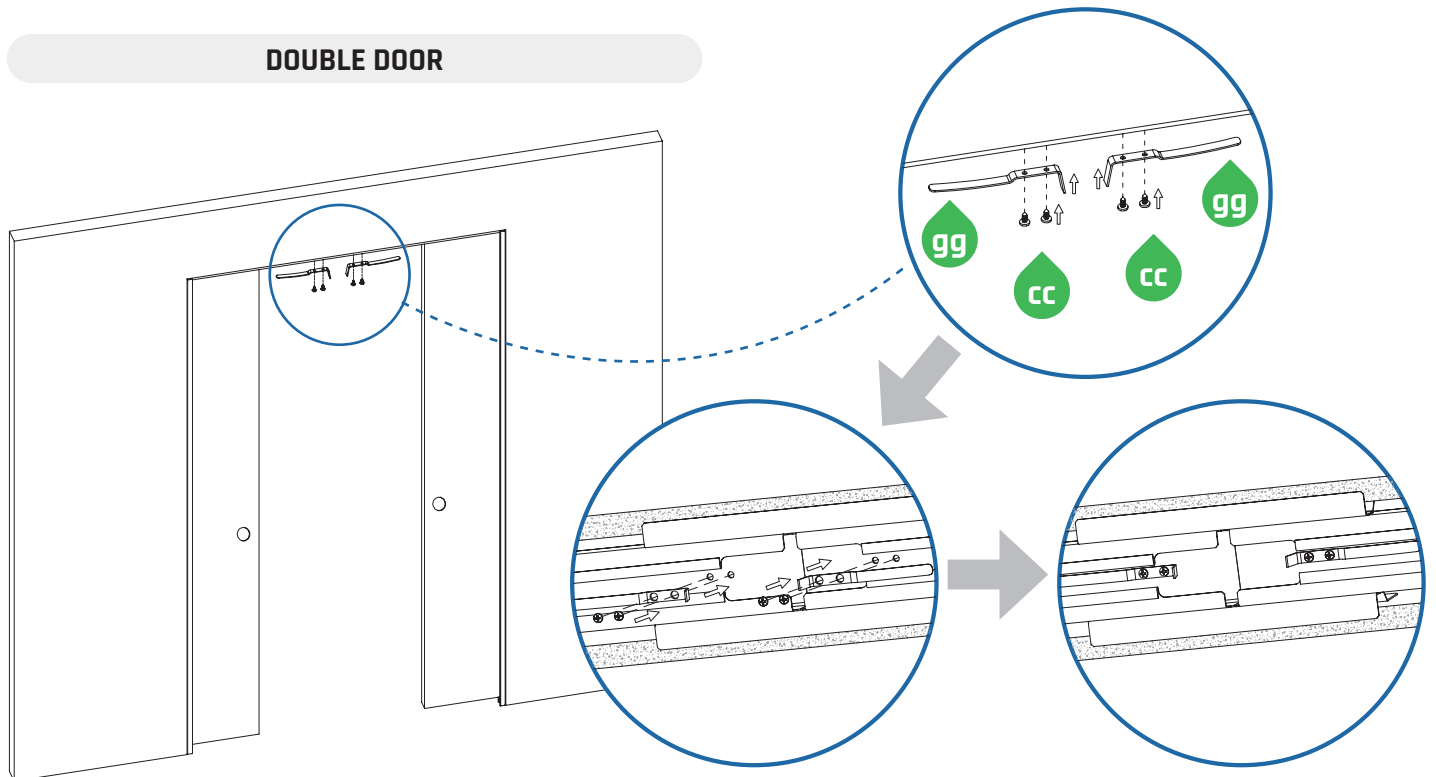


INSTALLING DOOR BRAKE

SINGLE DOOR



DOUBLE DOOR





**WANT TO SEE
HOW IT'S DONE?**



**GO TO WWW.ROCKETDOORFRAMES.CO.UK
TO SEE AN INSTALLATION VIDEO**

NEED HELP? GIVE US A CALL 03309980617

