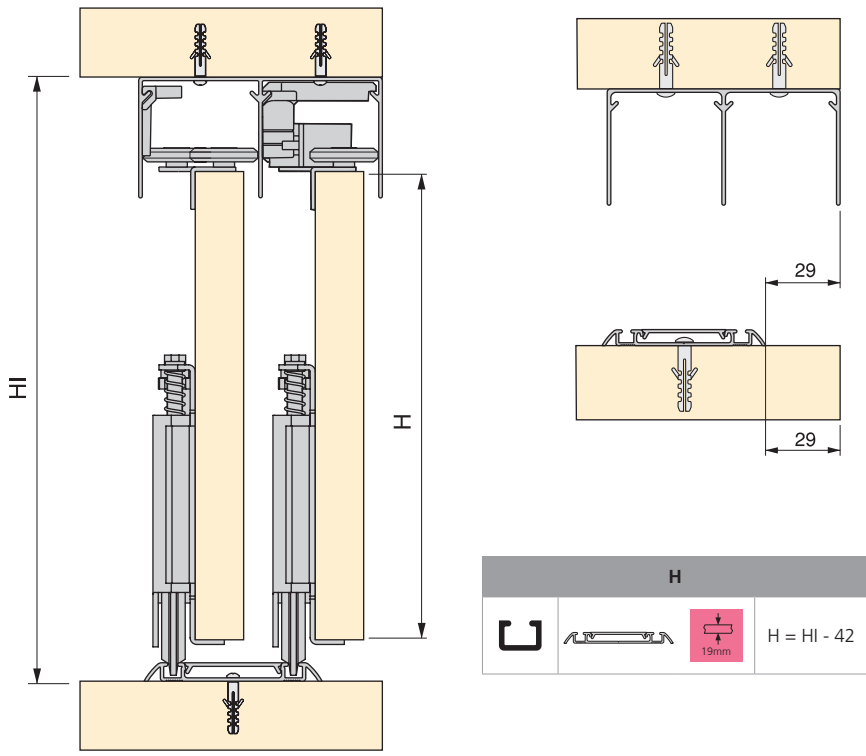
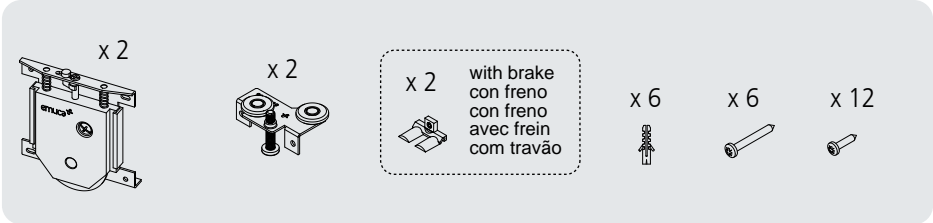


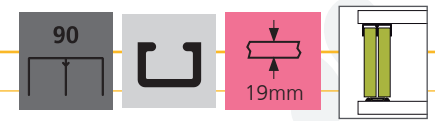
PLACARD 90

Groove / Canale / Canal / Canal / Canal



2 doors / 2 porte / 2 puertas / 2 portes / 2 portas
3 doors / 3 porte / 3 puertas / 3 portes / 3 portas

Placard 90				
VALL 19	$T = \frac{A + 16}{2}$	$T = \frac{A + 42}{3}$	$P = \frac{A + 28}{2}$	$P = \frac{A + 60}{3}$
HILL 19	$T = \frac{A + 30}{2}$	$T = \frac{A + 62}{3}$	$P = \frac{A + 34}{2}$	$P = \frac{A + 68}{3}$
LINE 19	$T = \frac{A + 16}{2}$	$T = \frac{A + 34}{3}$	$P = \frac{A + 20}{2}$	$P = \frac{A + 40}{3}$
HANDY 19	$T = \frac{A + 24}{2}$	$T = \frac{A + 50}{3}$	$P = \frac{A + 28}{2}$	$P = \frac{A + 56}{2}$



PLACARD 90

