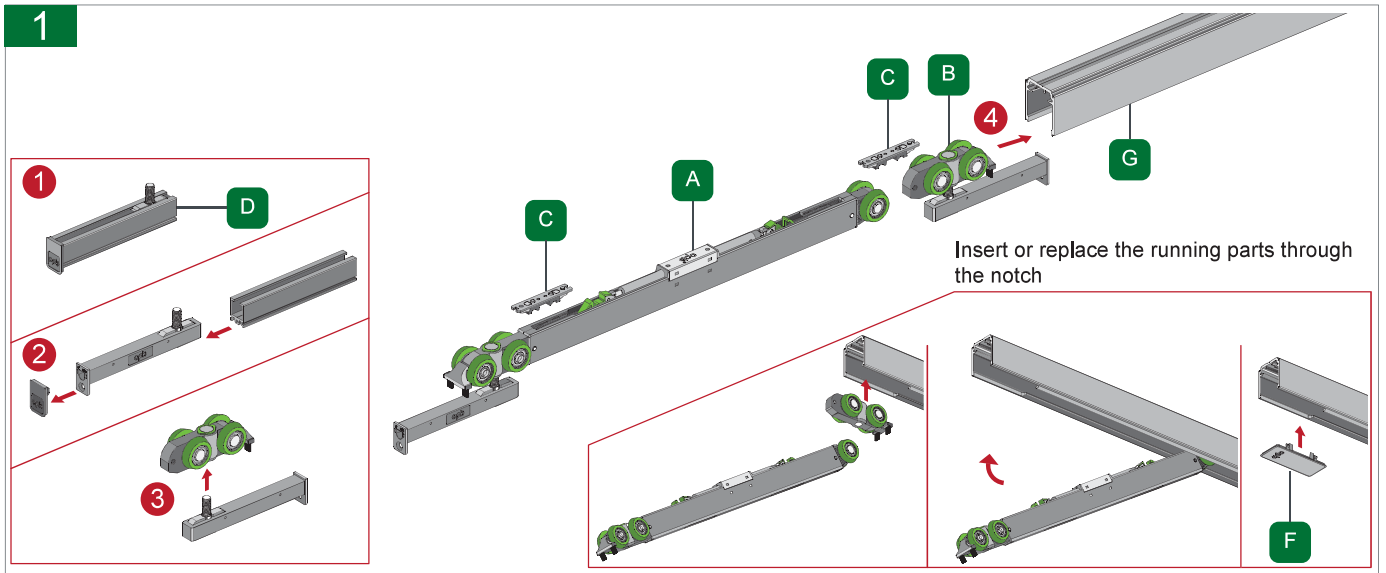
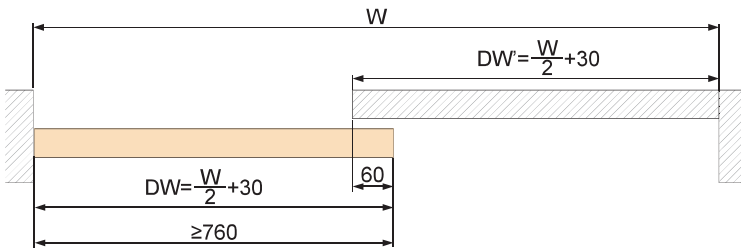
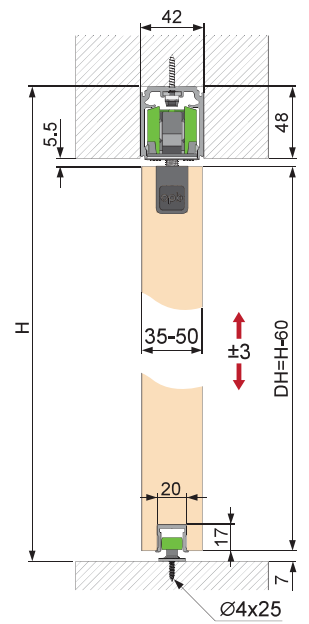
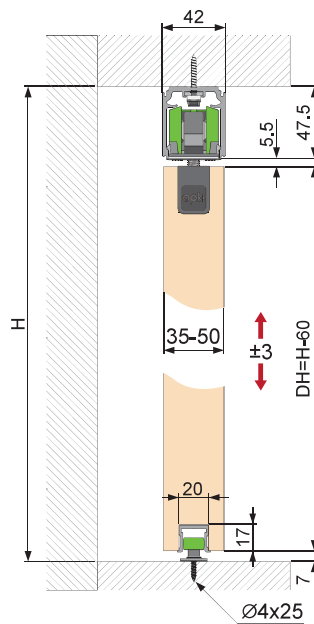
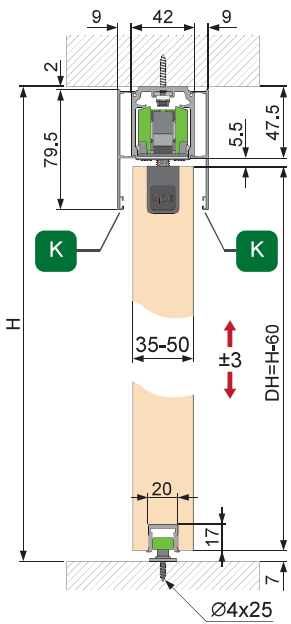
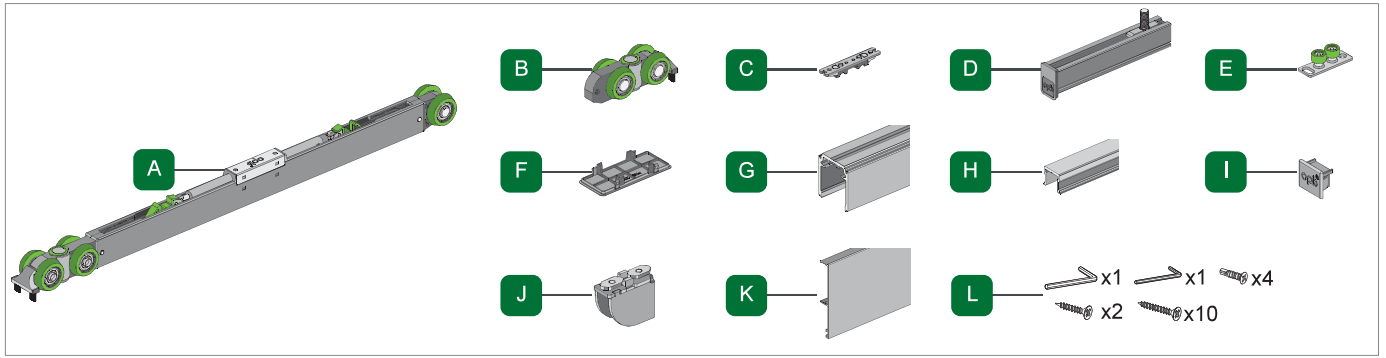
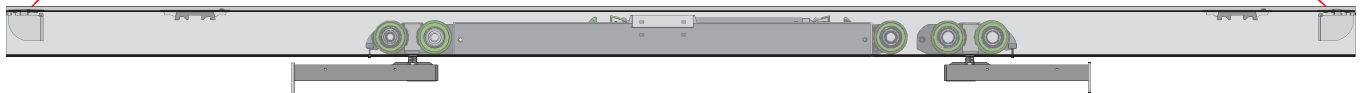
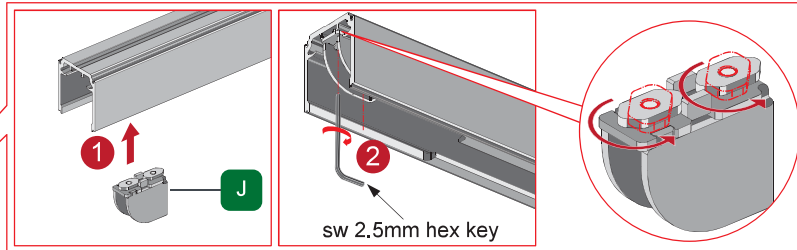


opk Spaceship 160 W Deckenmontage / Ceiling Mounting Mounting Instruction

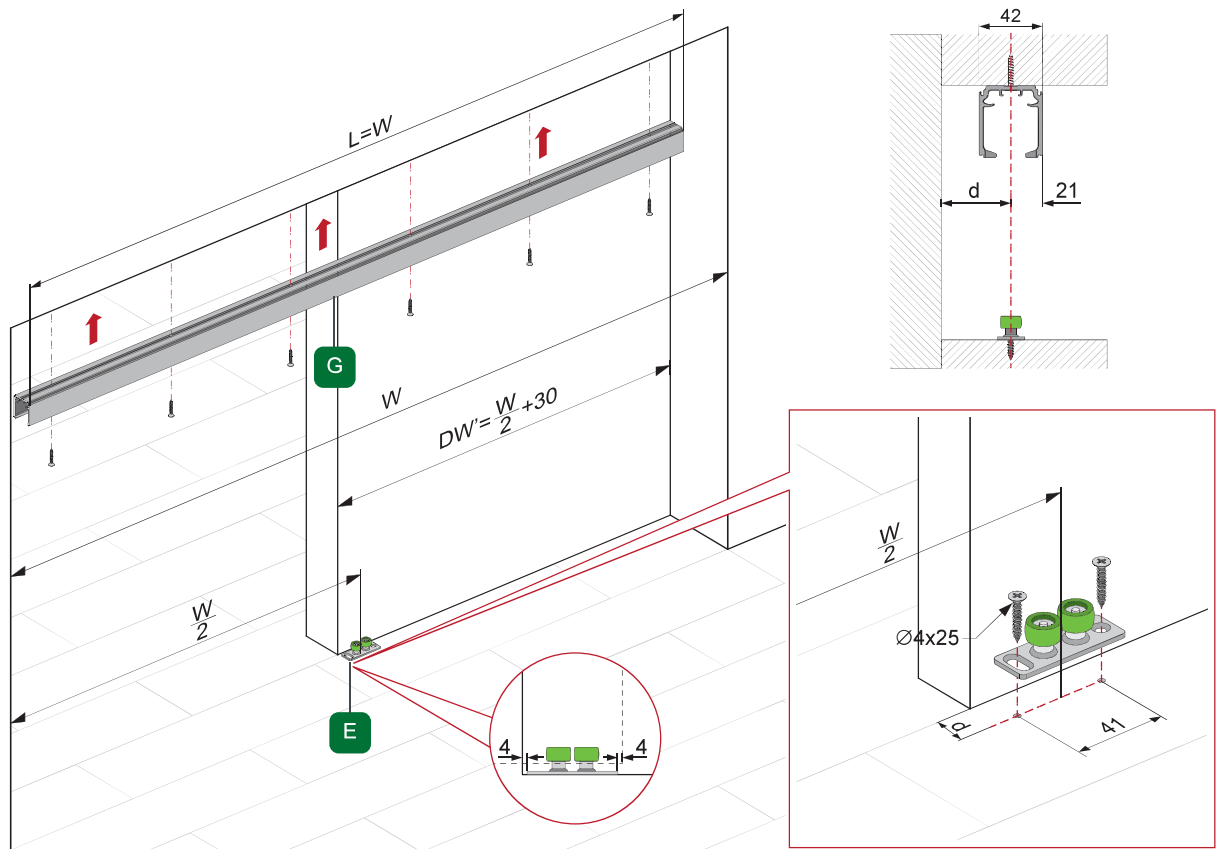


2

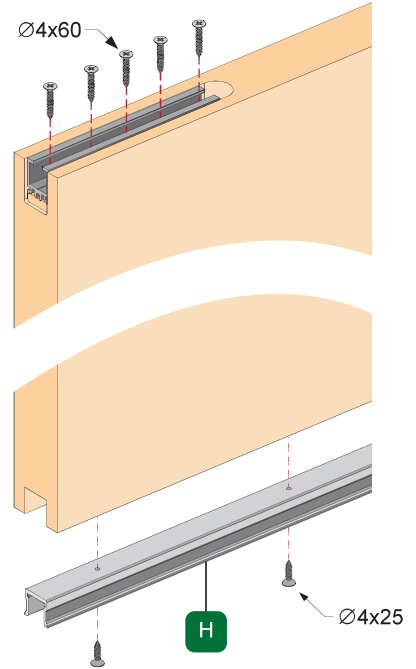
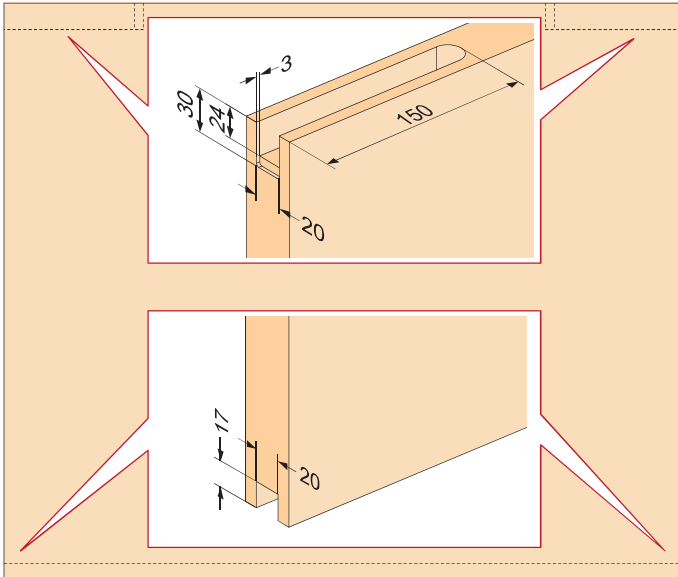
Fix the stoppers to both sides of the track



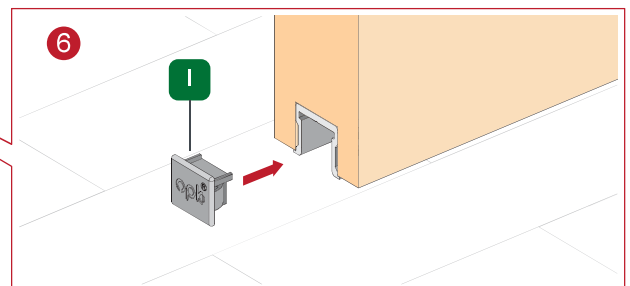
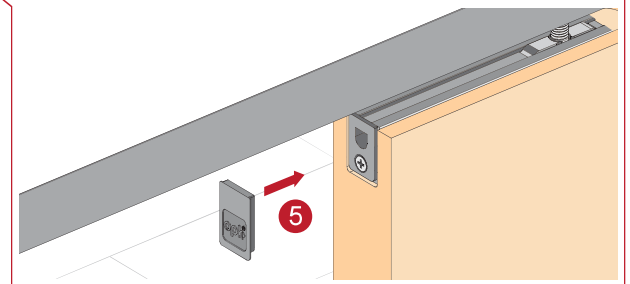
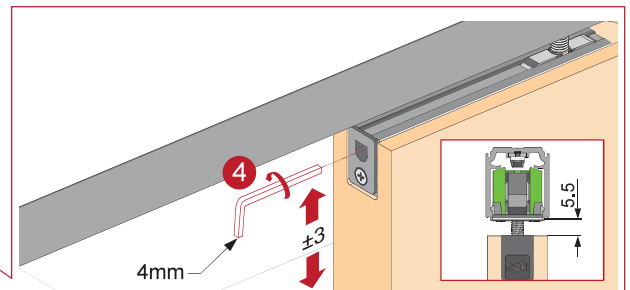
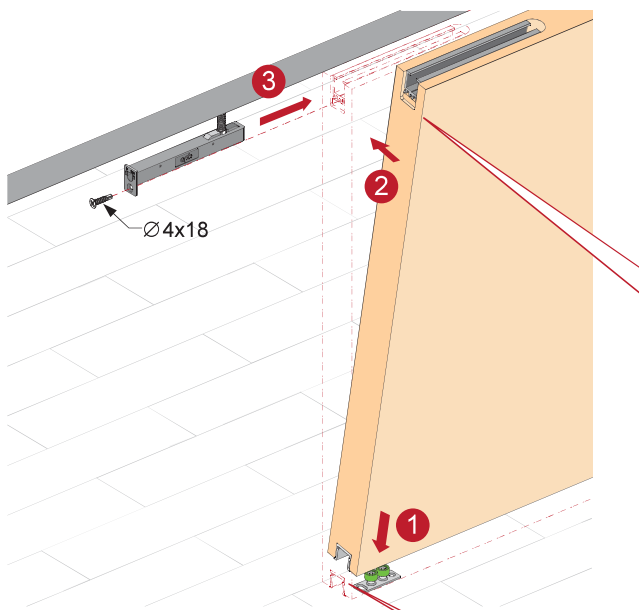
3



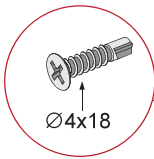
4



5



6



First adjust the activator,
then fix it with the safety screw!

