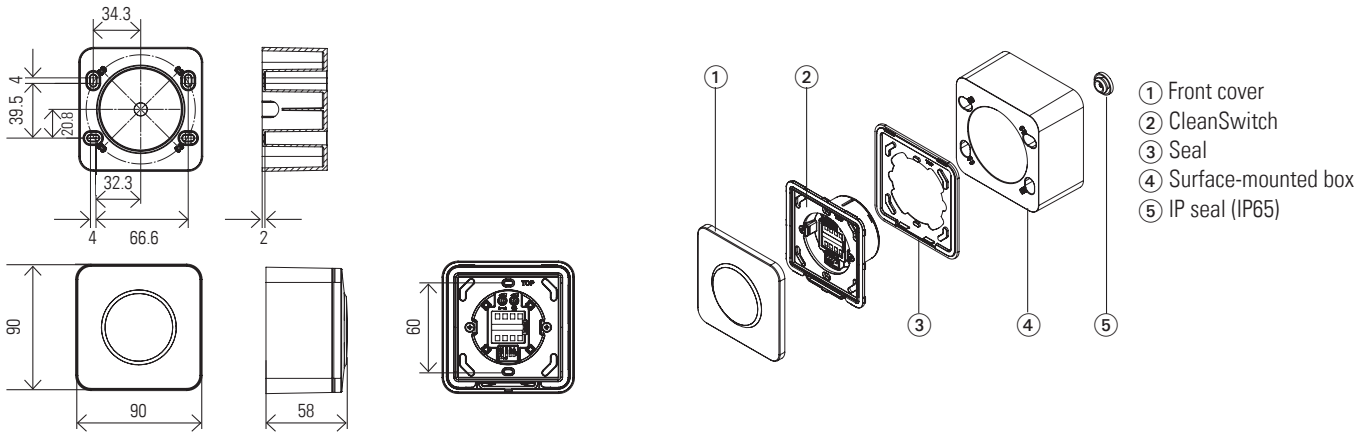


CleanSwitch surface-mounted box

Mounting instructions

General



1 Mounting

<p>1 Desired IP protection and cable routing</p> <p>IP65 or IP54</p> <p>Pop out the cover</p> <p>Pop out the window with pliers depending on the desired cable routing point</p>	<p>2</p> <p>Secure surface-mounted box diagonally with 2 screws</p>	<p>3</p> <p>IP65 or IP54</p> <p>TOP</p>
<p>4</p> <p>Insert the seal as shown on the surface-mounted box</p>	<p>5</p> <p>Attach the cover at the top</p> <p>Press until it clicks!</p>	<p>Dismantling</p>

2 Contact

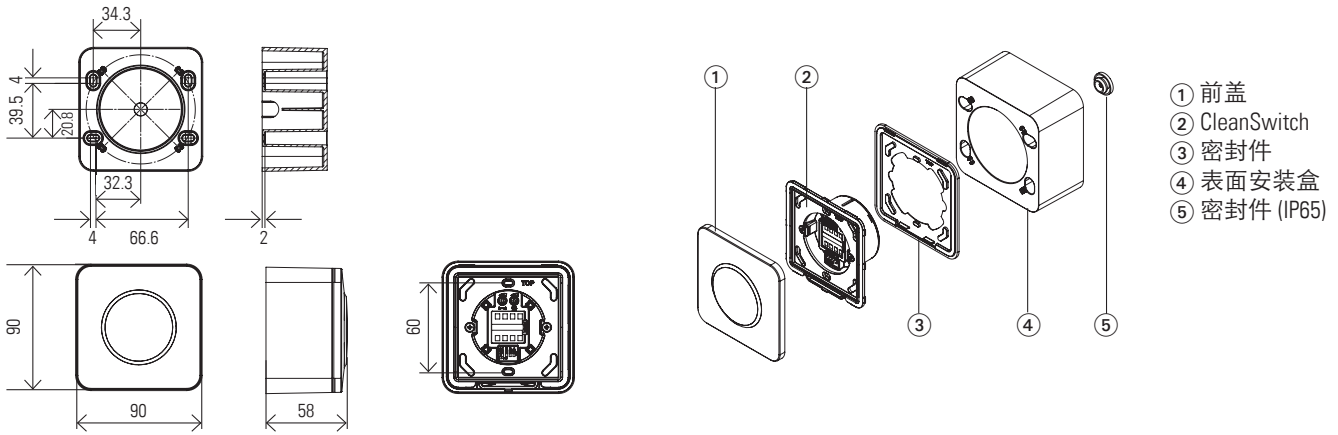
BBC Bircher Smart Access, BBC Bircher AG, Wiesengasse 20, CH-8222 Beringen, www.bircher.com

Made in China / Designed in Switzerland

CleanSwitch 表面安装盒

装配说明书

概述



1 安装

1 所需的 IP 防护和电缆布线

IP65 或 IP54

拆下盖板

根据所需的电缆布线，用钳子拆下端盖

2

用 2 个螺栓对角固定表面安装盒

3

IP65 或 IP54

TOP

4

将密封件如标记所示放到表面安装件上

5

挂上顶部盖板

按下直到卡住!

拆卸

2 联系方式

BBC Bircher Smart Access, BBC Bircher AG, Wiesengasse 20, CH-8222 Beringen, www.bircher.com

Made in China / Designed in Switzerland