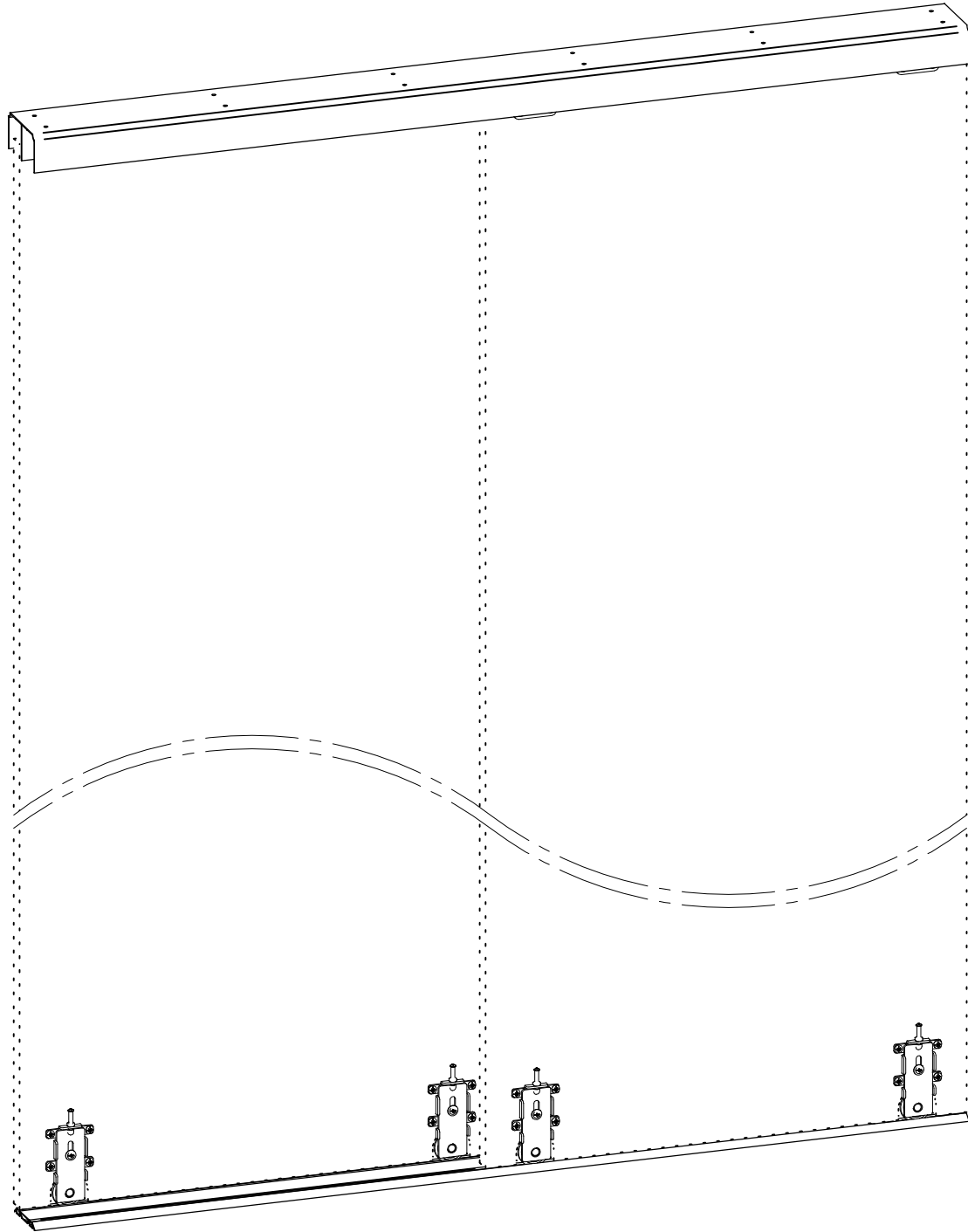


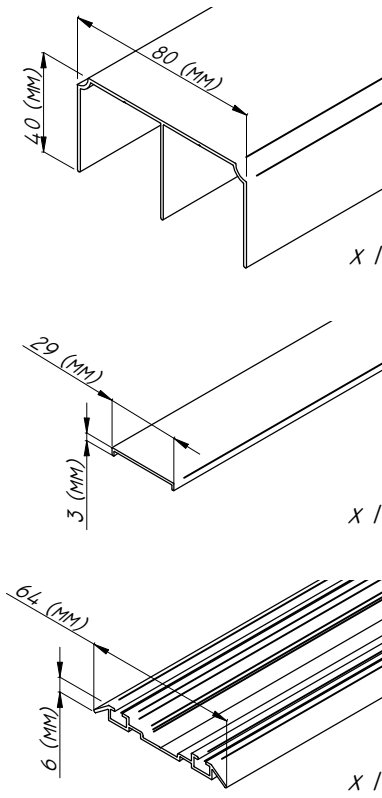
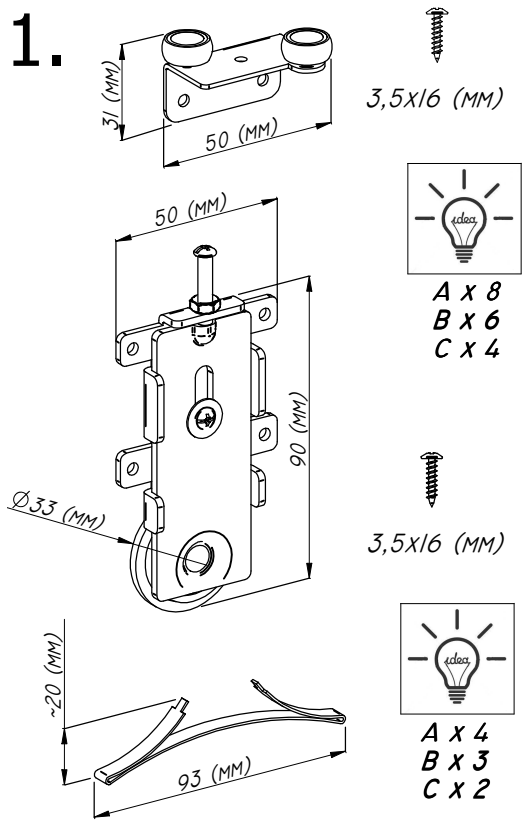
AUSTIN™

Sliding door system



Buller™
furniture fittings & accessories
www.bullerltd.co.uk

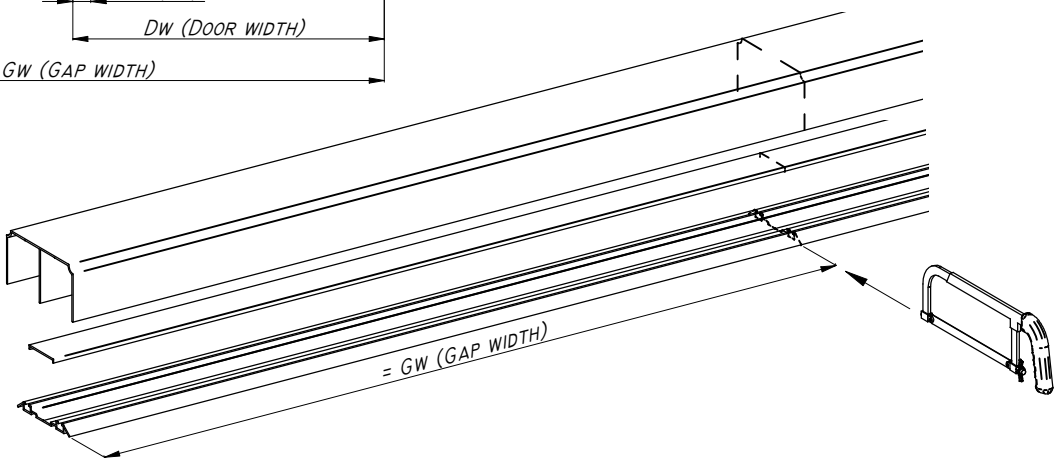
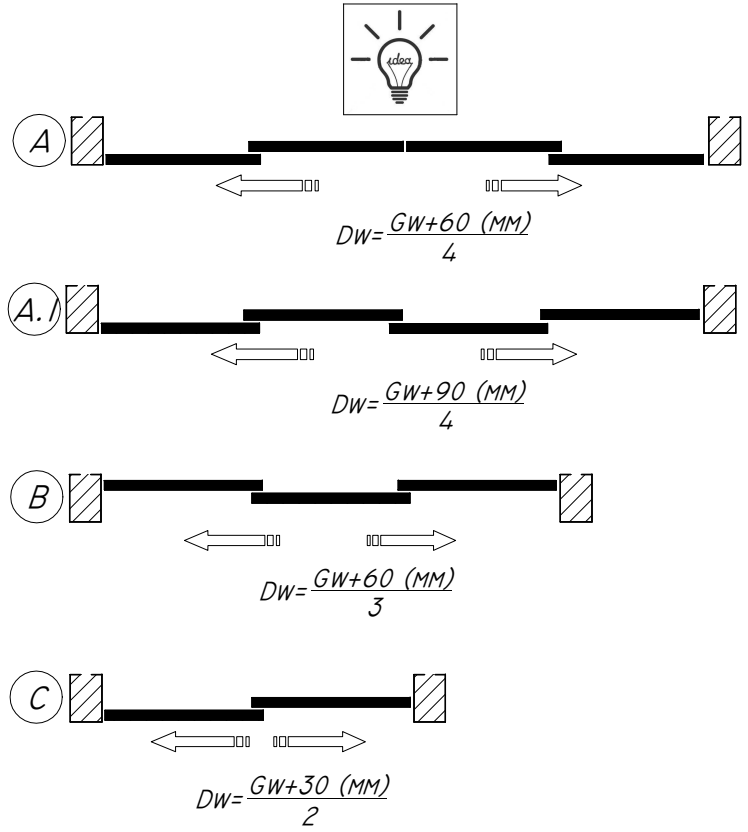
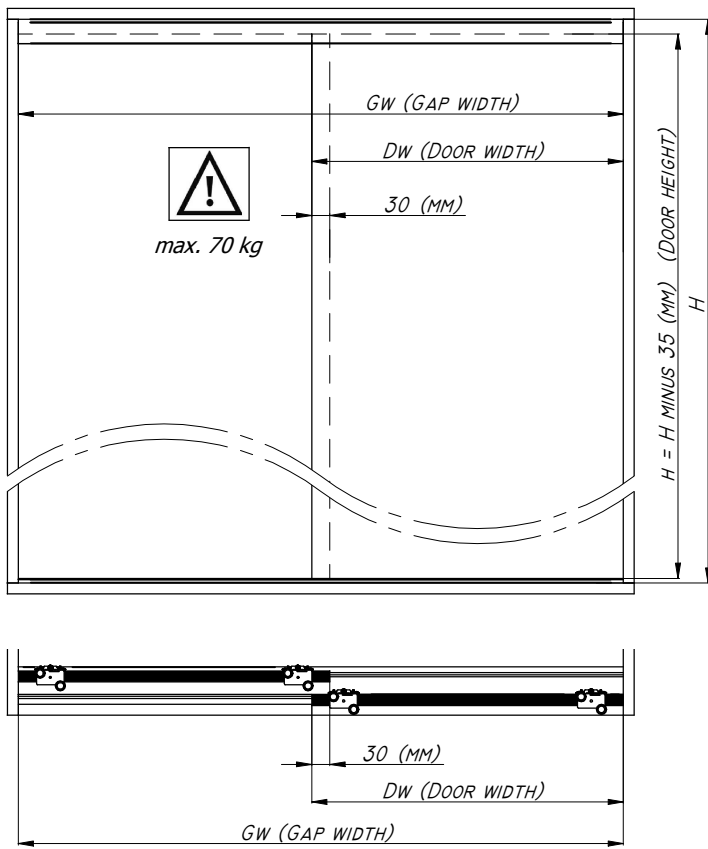
1.



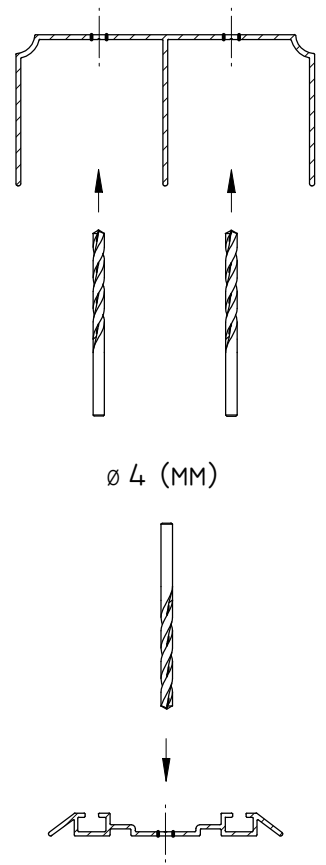
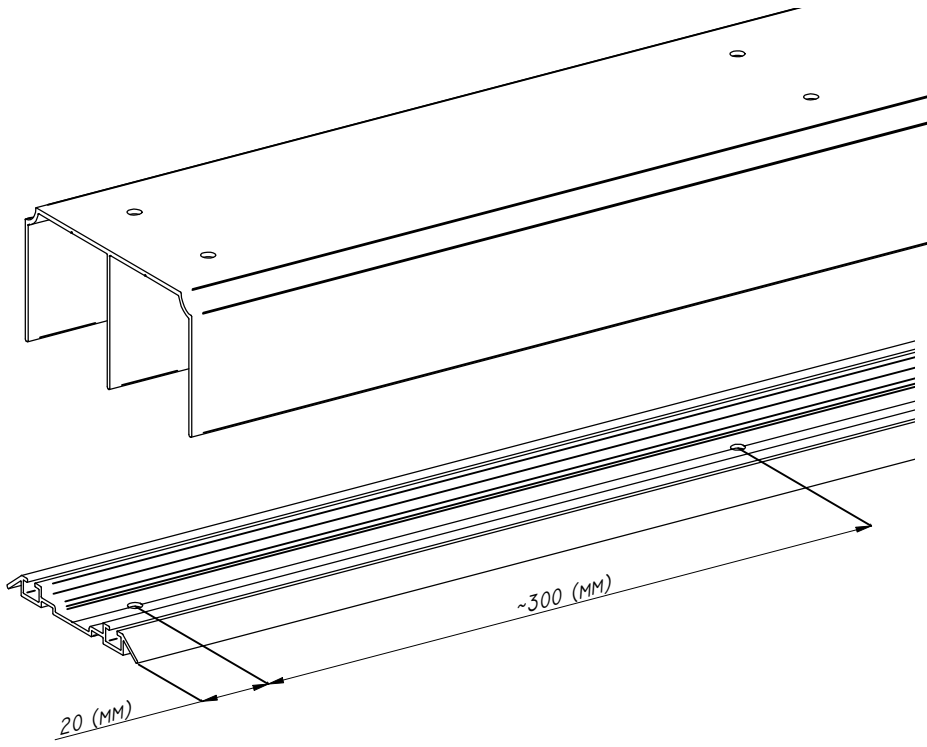
1.1 SYSTEM 18 MM OPTIONS

- 1 ALUMINIUM PROFILE HANDLES OR
- 2 ALUMINIUM "H" PROFILE TO MERGE WARDROBE DOORS
- 3 ALUMINIUM TOP & BOTTOM FINISHING PROFILES FOR WARDROBE DOORS OR
- 4 ALUMINIUM FLAT STRIPE FOR WARDROBE DOORS
- 5 SOFT CLOSING MECHANISM

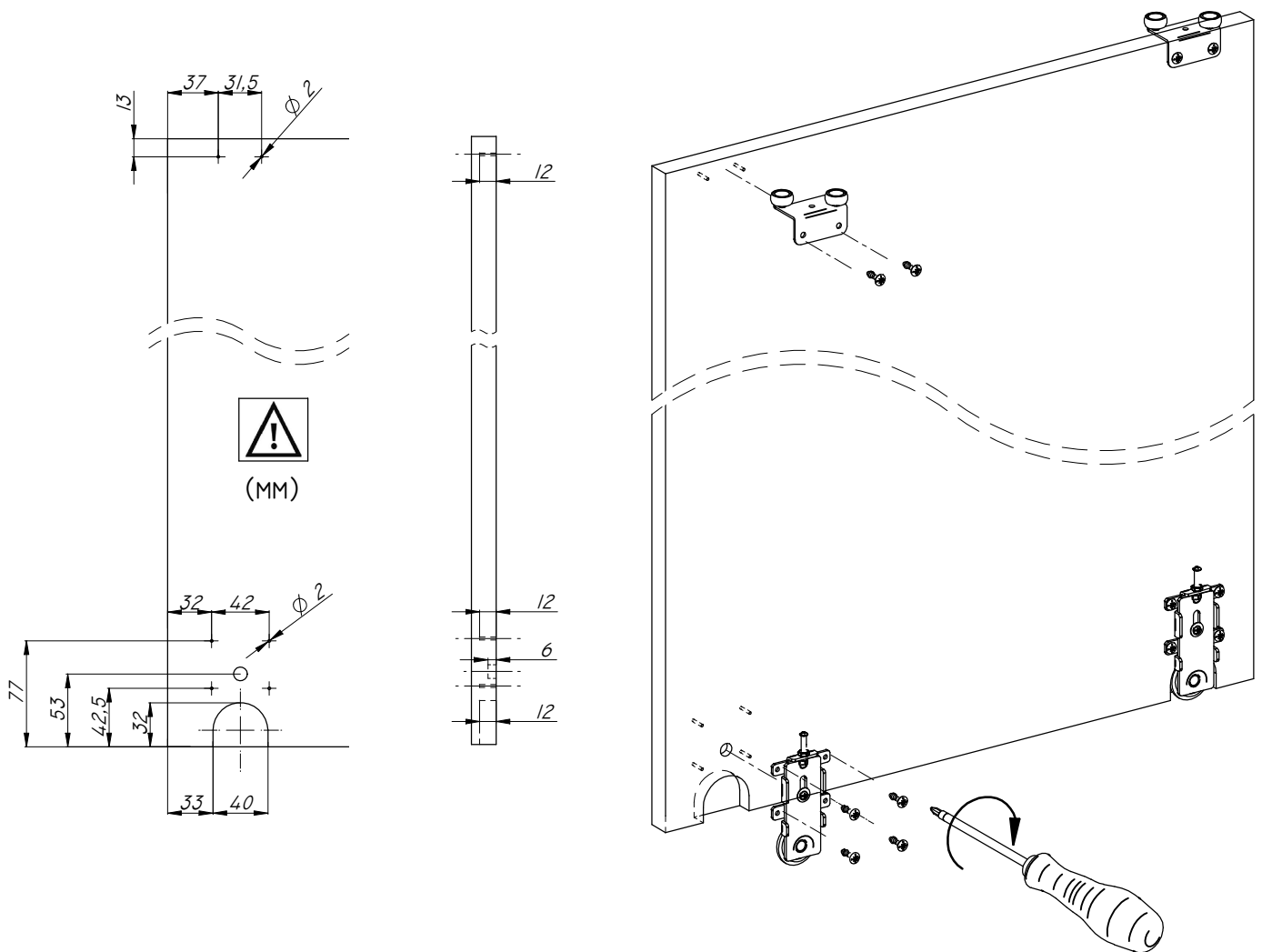
2.



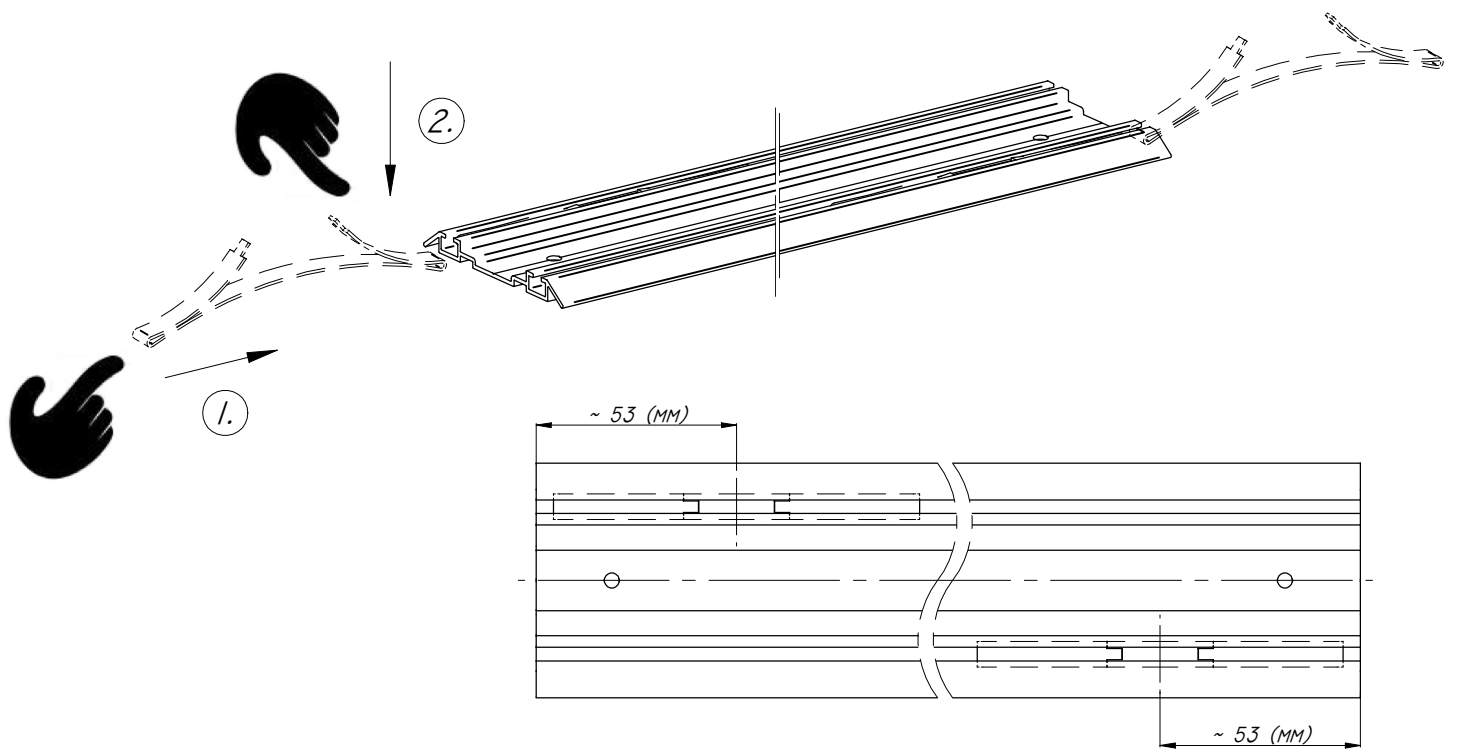
3.



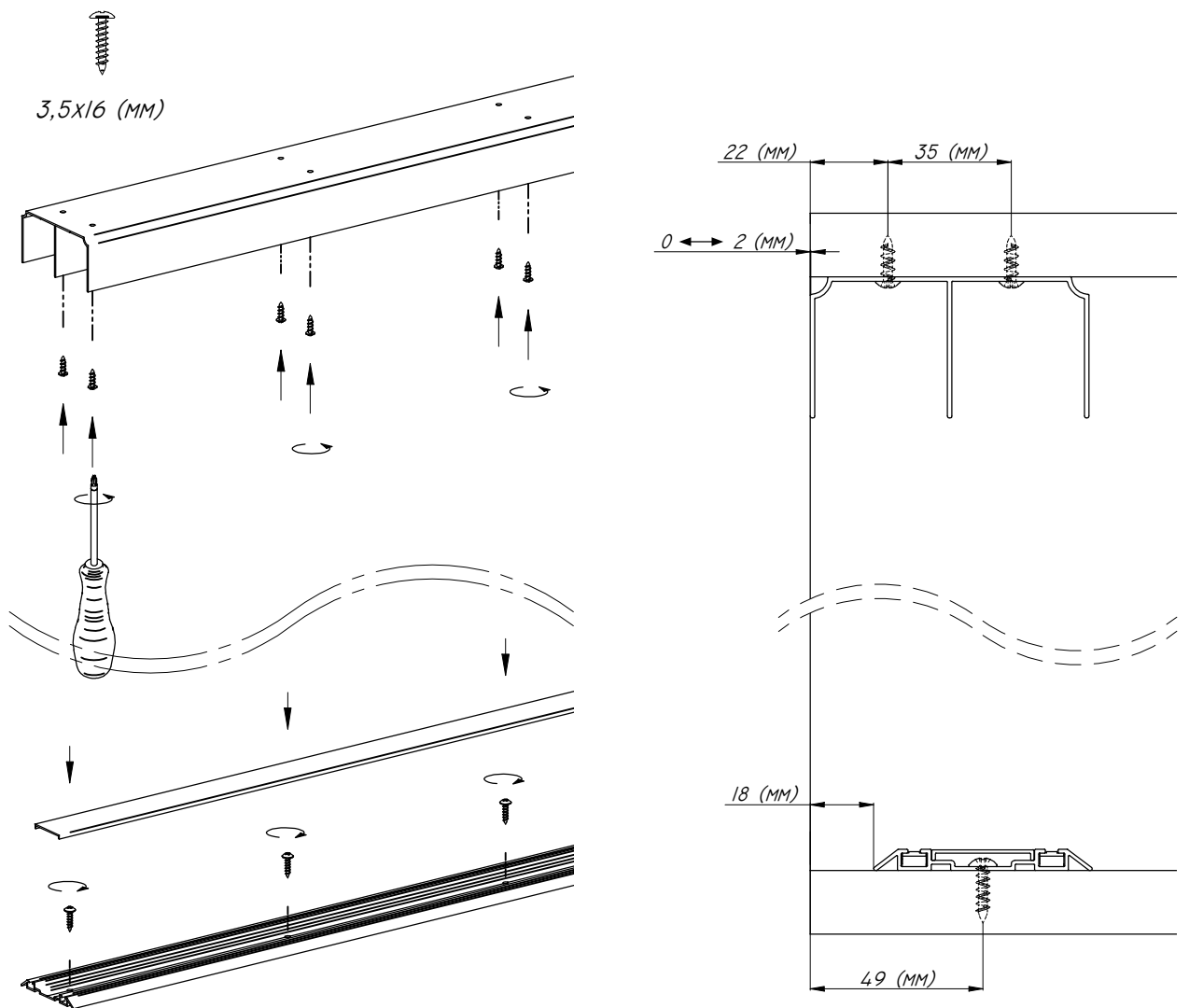
4.



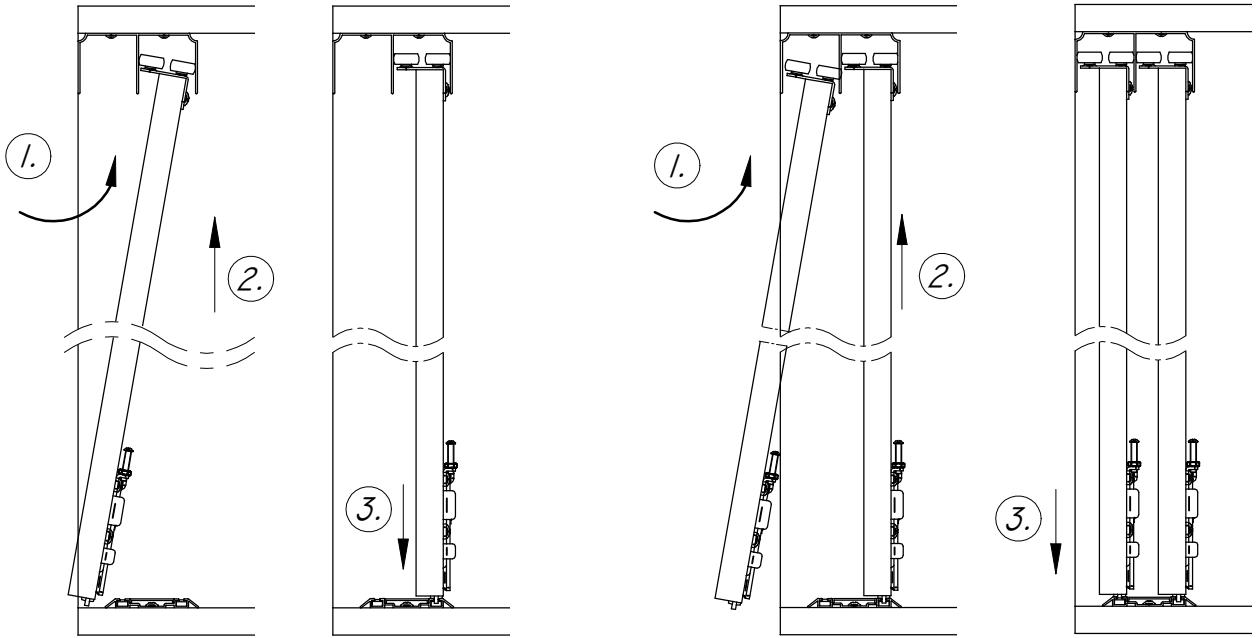
5. 



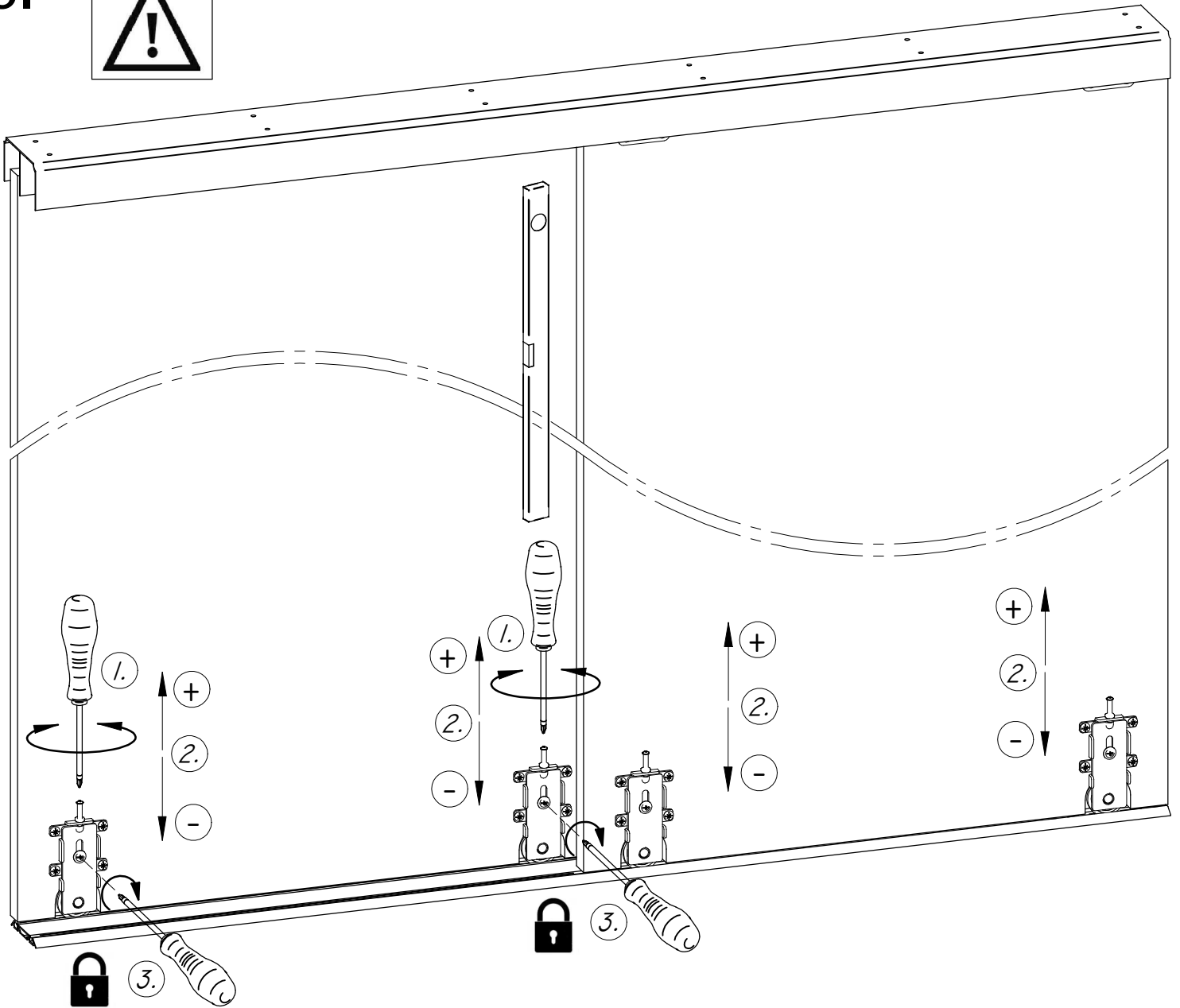
6.



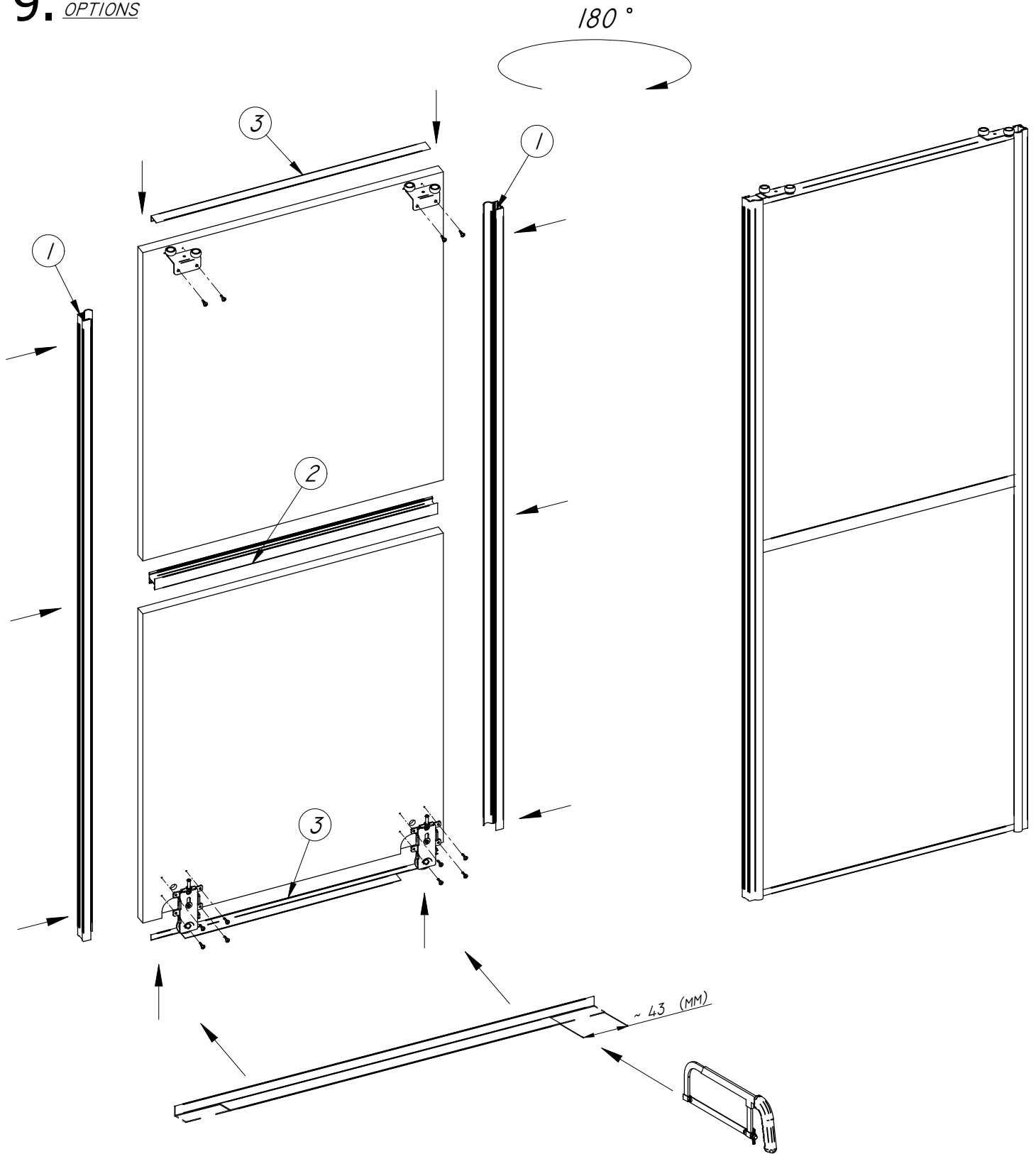
7.



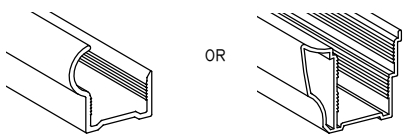
8.



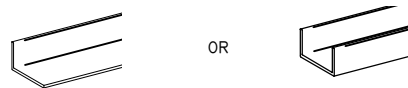
9. SYSTEM 18 MM
OPTIONS



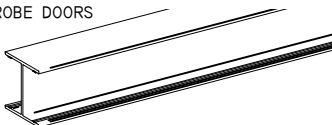
1 ALUMINIUM PROFILE HANDLES



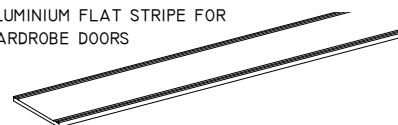
3 ALUMINIUM TOP & BOTTOM FINISHING PROFILES FOR WARDROBE DOORS



2 ALUMINIUM "H" PROFILE TO MERGE WARDROBE DOORS



4 ALUMINIUM FLAT STRIPE FOR WARDROBE DOORS



9. SYSTEM 18 MM OPTIONS - SOFT CLOSING MECHANISM

