

## A safety insurance regarding the performance of fittings for sliding doors:

Simple and efficient:

By requiring the characteristics of a product according to the European standard, you will avoid inconvenience such as bad sliding, blocking or early wearing.

What does the European standard EN 1527 indicate?

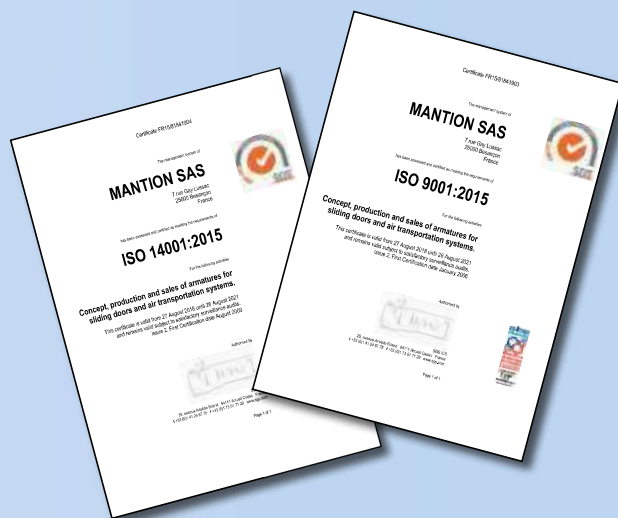
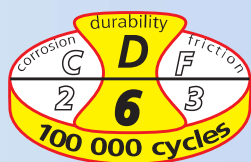
It defines objective quality criteria for a complete set of fittings for sliding doors (tracks, brackets, rollers, stops and guides):

- Corrosion resistance (resistance to salt spray)
- Durability (number of cycles)
- Initial friction (initial max. force required to open and close the panels)

It determines the conditions in which the tests have to be made. This allows an easy and real comparison between different competing products:

- Door under 200 kg      Height: 2 meters      Width: 0.80 meters
- Door over 200 kg      Height: 2 meters      Width: 2 meters

It indicates the performance of fittings according to the tests results:



### CORROSION RESISTANCE [C]

grade 1	grade 2	grade 3	grade 4	grade 5
24 h*	48 h*	96 h*	240 h*	480 h*

\*Numbers of hours of resistance to salt spray (Standard EN1670)

### INITIAL FRICTION [F]



calculated without the use of damper closer or hydraulic closer stop

	grade 1	grade 2	grade 3
Door of 50 Kg	50 N*	30 N*	10 N*
Door from 51 to 100 Kg	80 N*	50 N*	20 N*
Door from 101 to 330 Kg	90 N*	60 N*	30 N*
Door over 330 Kg	5 %**	3 %**	2 %**

\*(10N): 10 newton correspond to a force of approx. 982 g to start movement of panel

\*\*Percentage of the mass

### DURABILITY [D]

grade 1	grade 2	grade 3	grade 4	grade 5	grade 6
5 000 c*	10 000 c*	25 000 c*	50 000 c*	75 000 c*	100 000 c*

\*Number of cycles

**Mantion certifies\* the performance of its fittings for sliding doors and gives you the guaranty of high quality products.**

The different Mantion products have been designed, produced and tested to be used together. In order to avoid any technical problem or early use of fittings, require MANTION products.

\* This guaranty of durability applies to complete sets of Mantion products: tracks, rollers, brackets, stops and guides which are used and installed according to Mantion instructions (capacity and number of cycles).

CAPACITY / PANEL: up to 150 kg

TRACK: 3530 to 8570

MOVEMENT: STRAIGHT FOLDING

- A complete range:
  - 4 systems up to 150 kg / panel
  - for panels up to 0.90 m width
  - screwing or welding versions
- **Solution** which combines a wide opening with a service door
- **Reduced space needed when open**

The hangers and hinges of this 500 Series are supplied for a top-fixing. They can be supplied for a side-fixing on request.

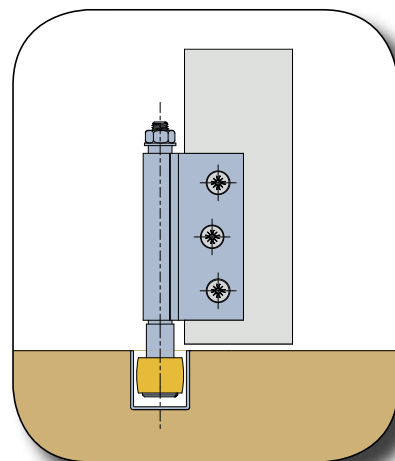
Place a complementary bracket on the push back side and use brackets 8578MC or brackets 8578ML for doors over 500 kg

The axis of the hangers, hinges and guides making up an articulation must be perfectly aligned

Floor guiding is imperative

For a good sliding, the width of the panels must not exceed 90 cm

#### FLOOR GUIDING:





**SLIDSOFT:**  
our SLIDSOFT calculation  
software in order to make  
easier your technical details  
[www.mantion.com](http://www.mantion.com)

**FOR PANELS UP TO 20 KG** **Track: 3530**

Item Nr	Fig.	Description	Pack.
0532	1	Intermediate hanger, mounted on a hinge (capacity 40 kg)	2
0532E	2	Off-center end hanger (capacity 20 kg)	2
1104	3	Bottom guide on a hinge for U profile 25 x 17 (1109)	1
1104E	4	Off-center bottom end guide for U profile 25 x 17 (1109)	1
1510C	5	Hinge 80 x 60, with a Ø 10 axle, top-fixing	10
1109/400		Galvanised U-profile 25 x 17 - 4 m long	4
1109/500	7	Ditto - 5 m long	4
1109/600		Ditto - 6 m long	4
1109M	8	Jointing bracket for U profile 25 x 17 (1109)	1

**FOR PANELS UP TO 38 KG** **Track: 5040**

0552	1	Intermediate hanger, mounted on a hinge (capacity 75 kg)	2
0552E	2	Off-center end hanger (capacity 37 kg)	2
1105	3	Bottom guide on a hinge for U profile 30 x 30 (1110)	1
1105E	4	Off-center bottom end guide for U profile 30 x 30 (1110)	1
1512C	5	Hinge 85 x 85, with a Ø 12 axle, top-fixing	10
1110/400		Galvanised U-profile 30 x 30 - 4 m long	4
1110/500	7	Ditto - 5 m long	4
1110/600		Ditto - 6 m long	4
1110M	8	Jointing bracket for U profile 30 x 30 (1110)	1

**FOR PANELS UP TO 75 KG** **Track: 6255**

0562	1	Intermediate hanger, mounted on a hinge (capacity 150 kg)	2
0562E	2	Off-center end hanger (capacity 75 kg)	2
1106	3	Bottom guide on a hinge for U-profile 30 x 30 (1110)	1
1106E	4	Off-center bottom end guide for U-profile 30 x 30 (1110)	1
1514C	6	Hinge 120 x 100, with a Ø 14 axle, top-fixing	6
1110/400		Galvanised U profile 30 x 30 - 4 m long	4
1110/500	7	Ditto - 5 m long	4
1110/600		Ditto - 6 m long	4
1110M	8	Jointing bracket for U-profile 30 x 30 (1110)	1

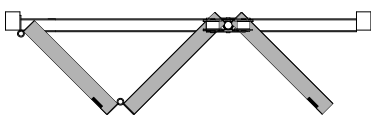
**FOR PANELS UP TO 150 KG** **Track: 8570**

0582	1	Intermediate hanger, mounted on a hinge (capacity 300 kg)	2
0582E	2	Off-center end hanger (capacity 150 kg)	2
1114	3	Bottom guide on a hinge for U-profile 50 x 60 (1115)	1
1114E	4	Off-center bottom end guide for U-profile 50 x 60 (1115)	1
1516C	6	Hinge 120 x 100, with a Ø 16 axle, top-fixing	4
1115/600	7	Galvanised U profile 50 x 60 - 6 m long	1
1115M	8	Jointing bracket for U profile 50 x 60 (1115)	1

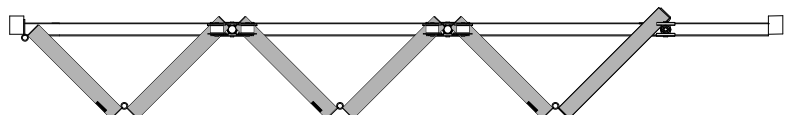


## EXAMPLES OF ASSEMBLY:

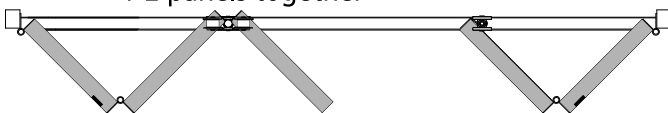
2 panels and 1 service door



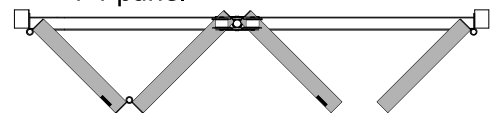
6 panels together



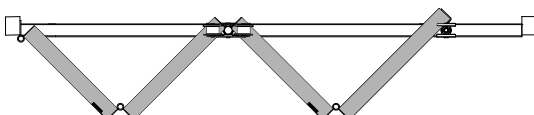
2 panels and 1 service door  
+ 2 panels together



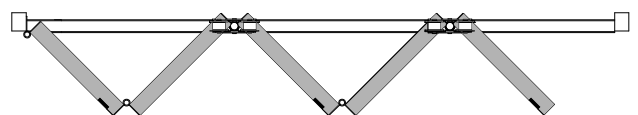
2 panels and 1 service door  
+ 1 panel

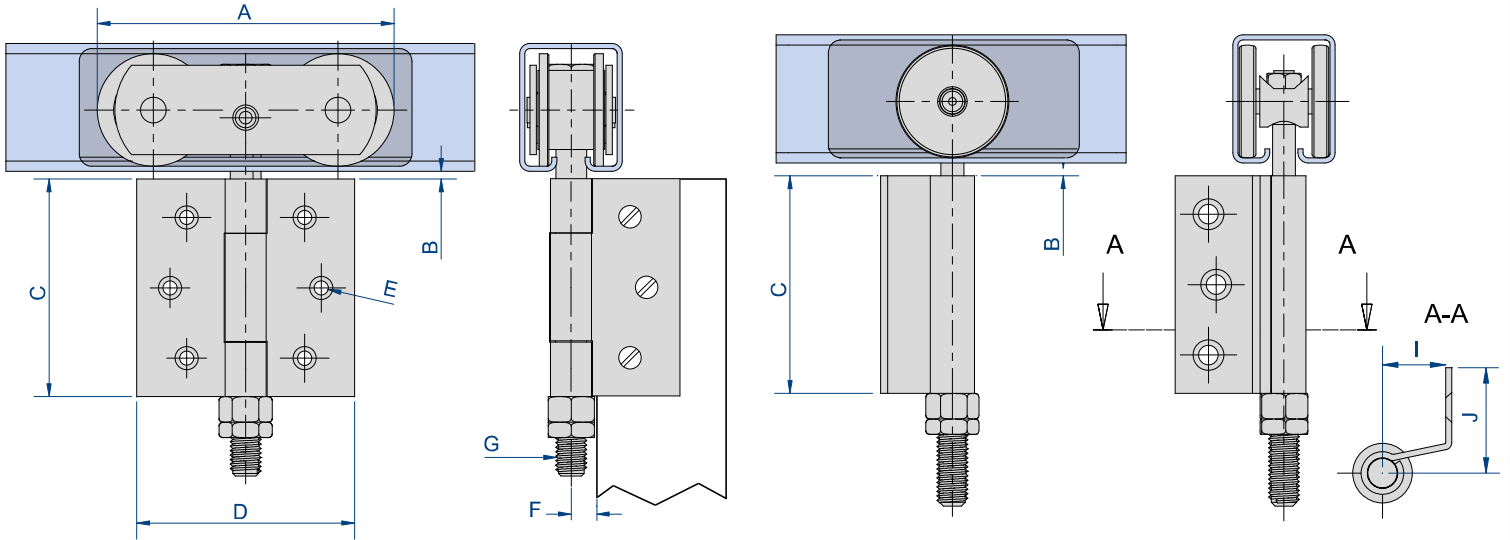
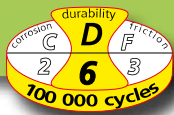


4 panels together



4 panels and 1 service door





Intermediate hangers

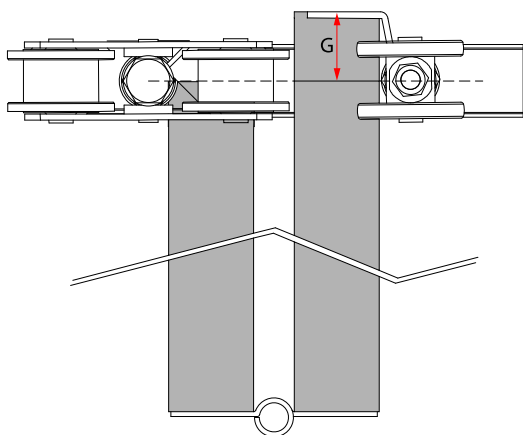
End hangers

Item Nr	A	B		C	D	E	F	G	I	J
		Min.	Max.							
0532	77	6	15	80	60	5	11	M10	15	30
0552	116	5	15	85	85	5	12	M12	25.5	42.5
0562	137	5	17	120	100	6	13	M14	25.5	50
0582	168	5	17	120	100	6	13	M16	33	50

## USE OF END HANGERS:

They must be fixed on to the end panels. The width of the end panels must be equal to the width of the other panels, increased by the G dimension.

Item Nr	G
0532E	17
0552E	28
0562E	28.5
0582E	37



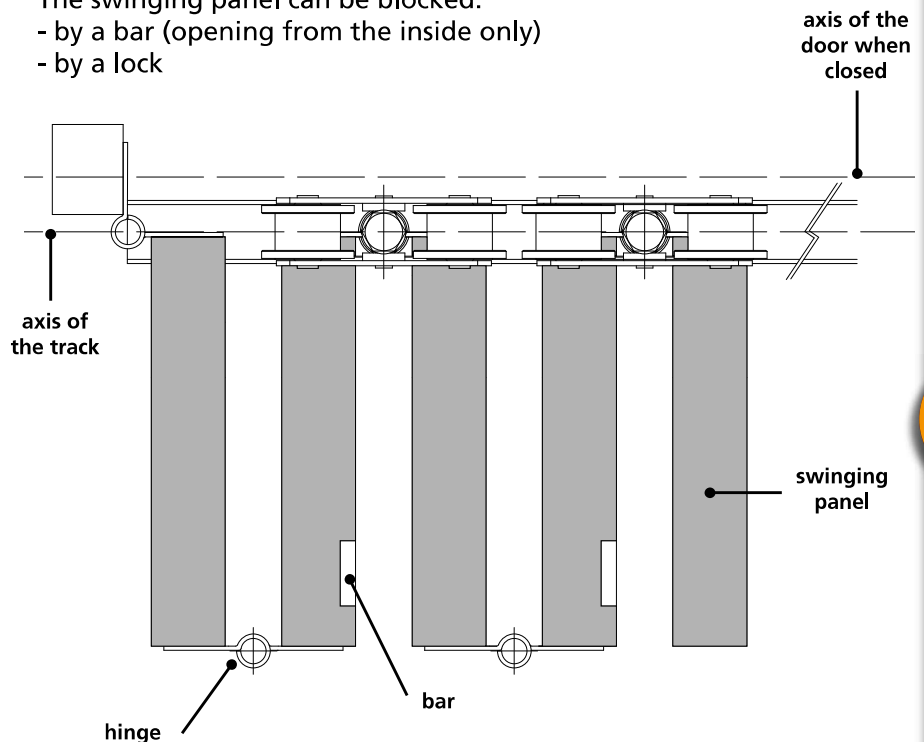
## CROSS SECTION, TOP VIEW:

folding door with 4 panels and a swinging panel, folding on one side only

This top view of a set of panels shows more precisely the use of the items in our 500 series.

The swinging panel can be blocked:

- by a bar (opening from the inside only)
- by a lock



See our assembly recommendations on p. 26