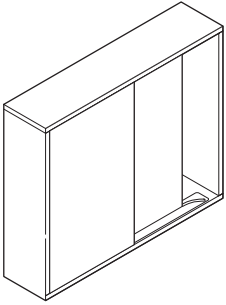


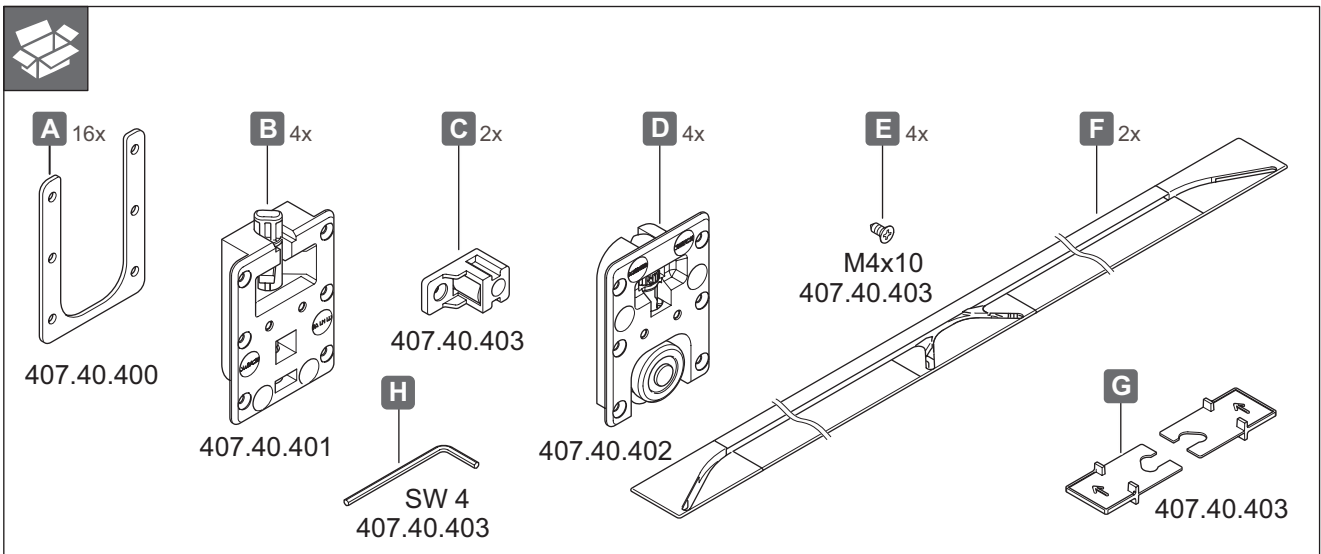


## Slido F-Flush52 20A

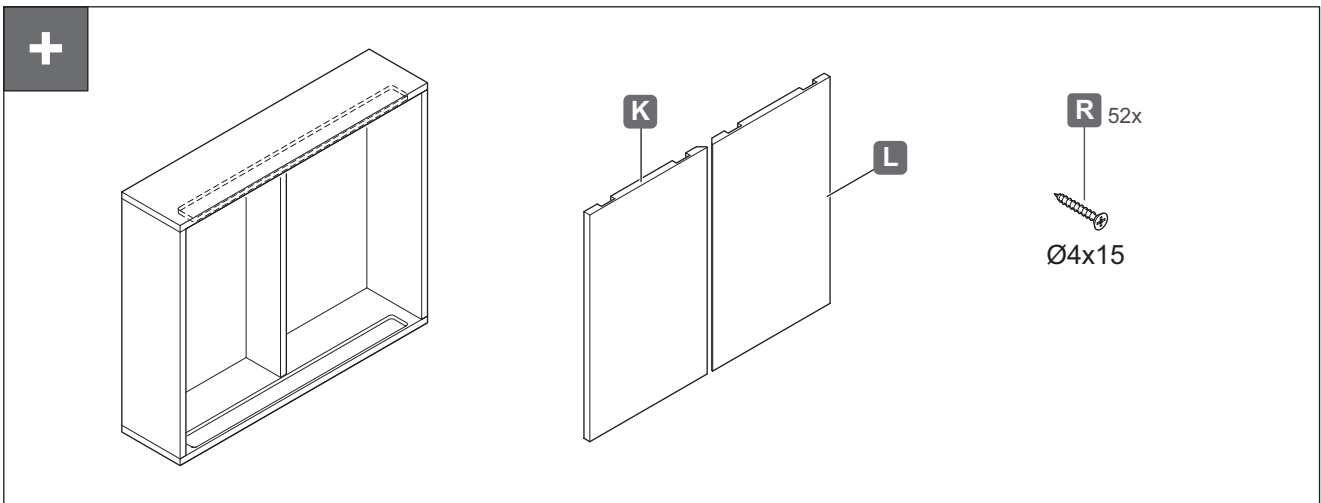
407.40.090	407.40.094
407.40.091	407.40.095
407.40.092	407.40.096
407.40.093	407.40.097



732.24.128



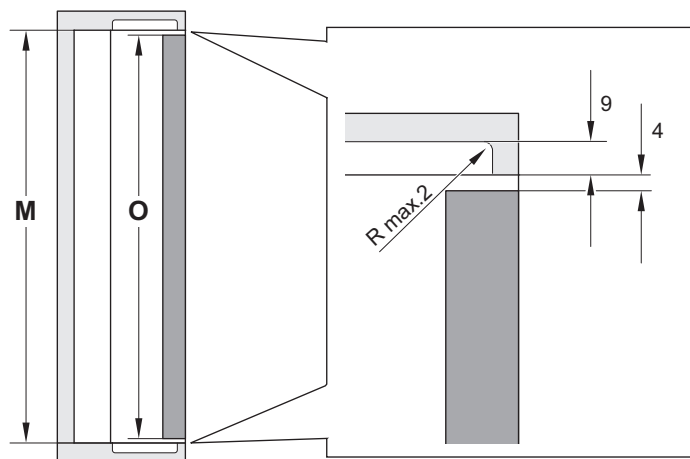
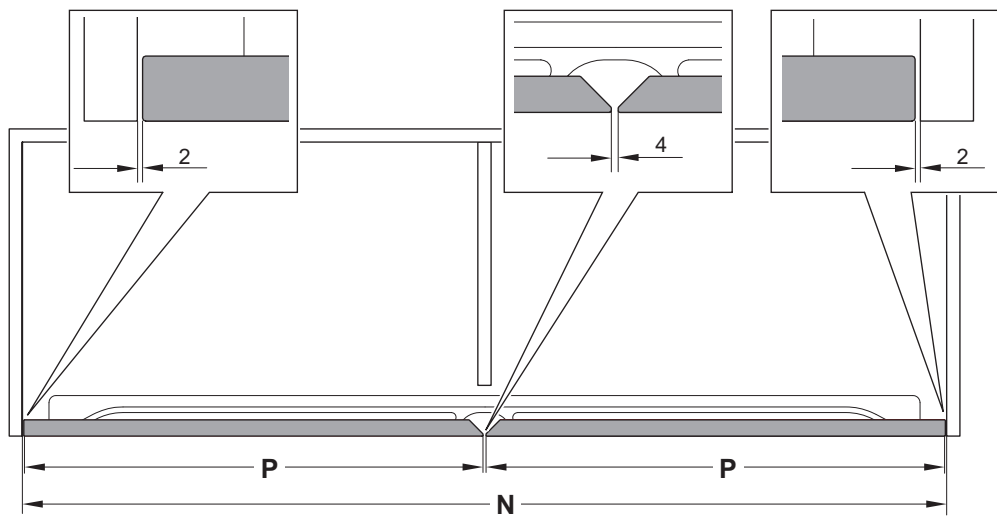
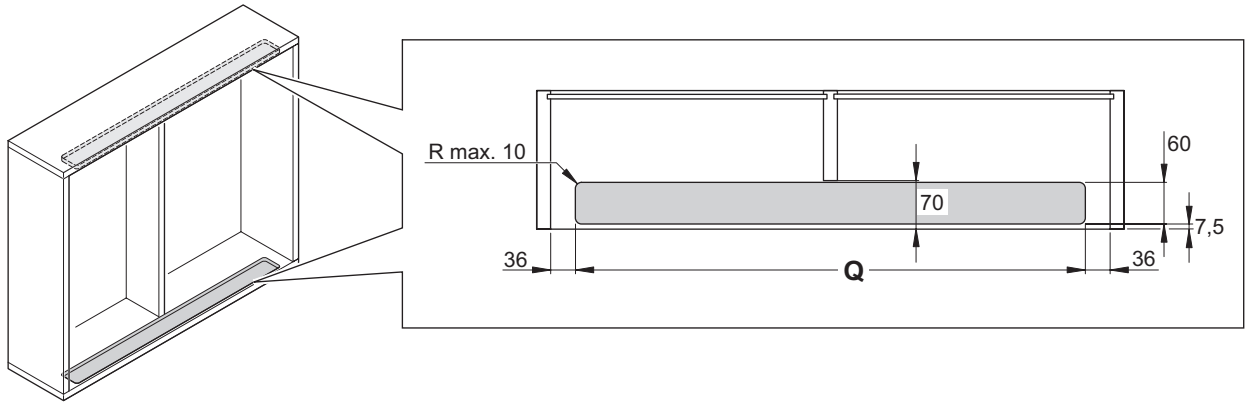
[1653167]


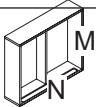
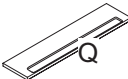


HDE 27.01.2023

**i**

mm

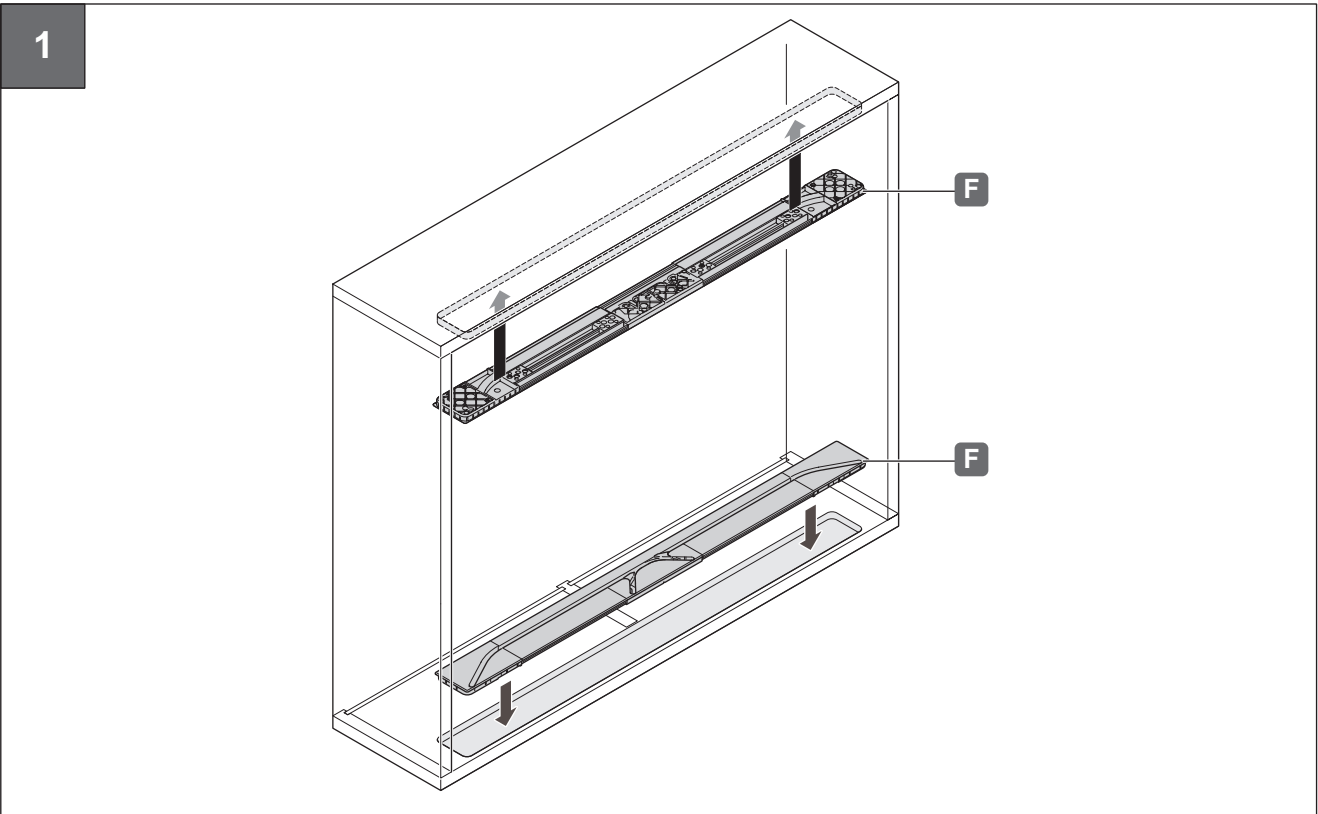
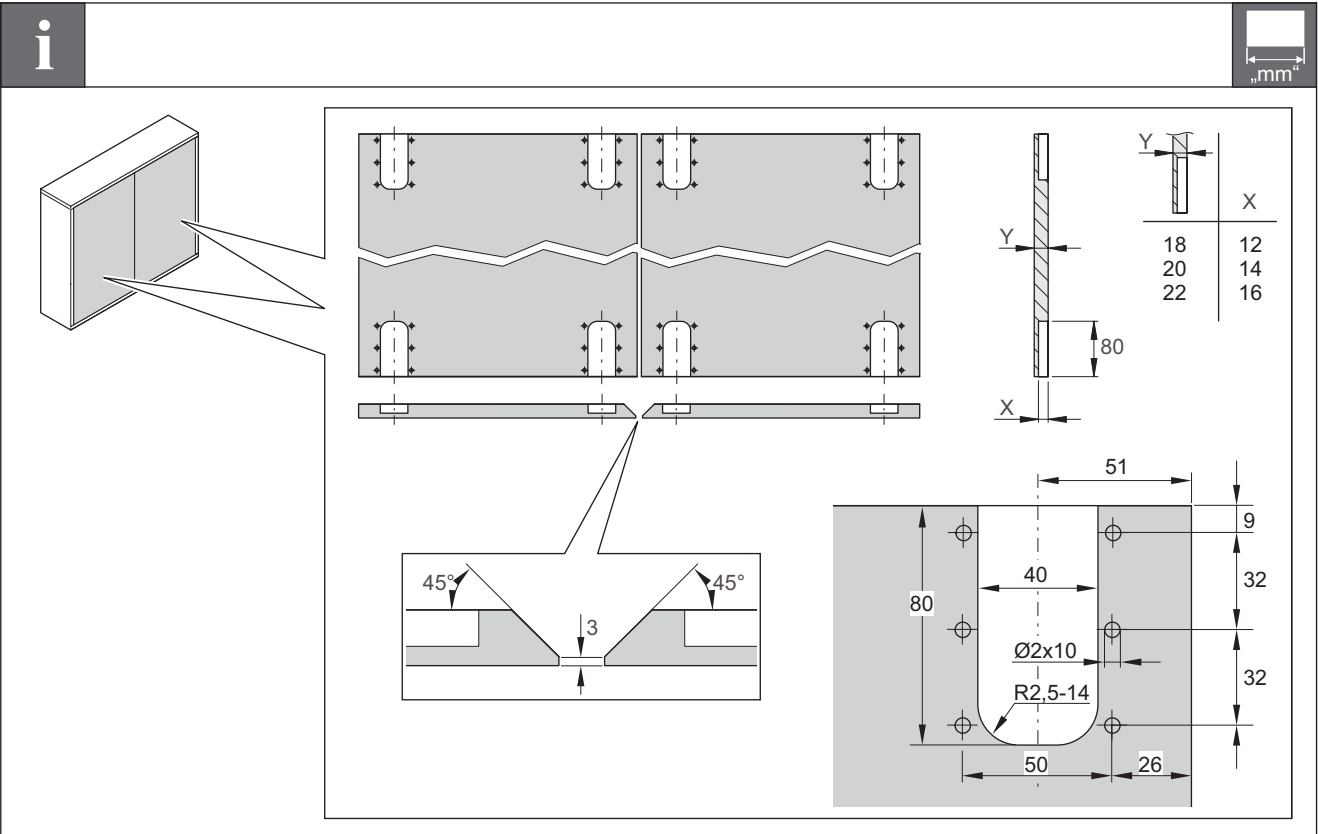


				
<b>O</b>	<b>P</b>	<b>M</b> (Max. 1608 mm)	<b>N</b> = (Px2)+4+4 mm	<b>Q</b> = N-2x36 mm
Max. 1600 mm	900 mm	O+4+4 mm	1808 mm	1736 mm
Max. 1600 mm	750 mm	O+4+4 mm	1508 mm	1436 mm
Max. 1600 mm	600 mm	O+4+4 mm	1208 mm	1136 mm
Max. 1600 mm	450 mm	O+4+4 mm	908 mm	836 mm

732.24.128

[1653167]

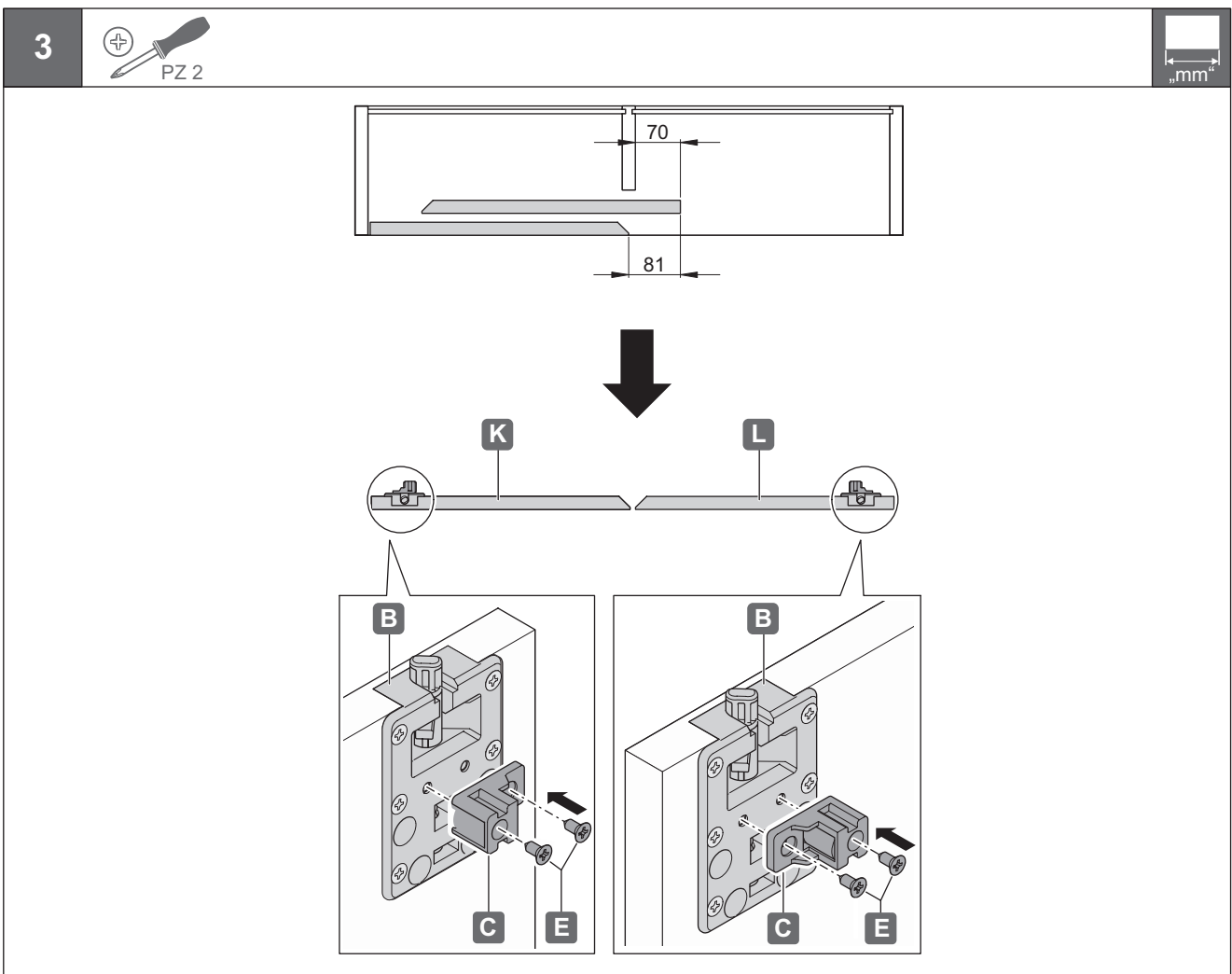
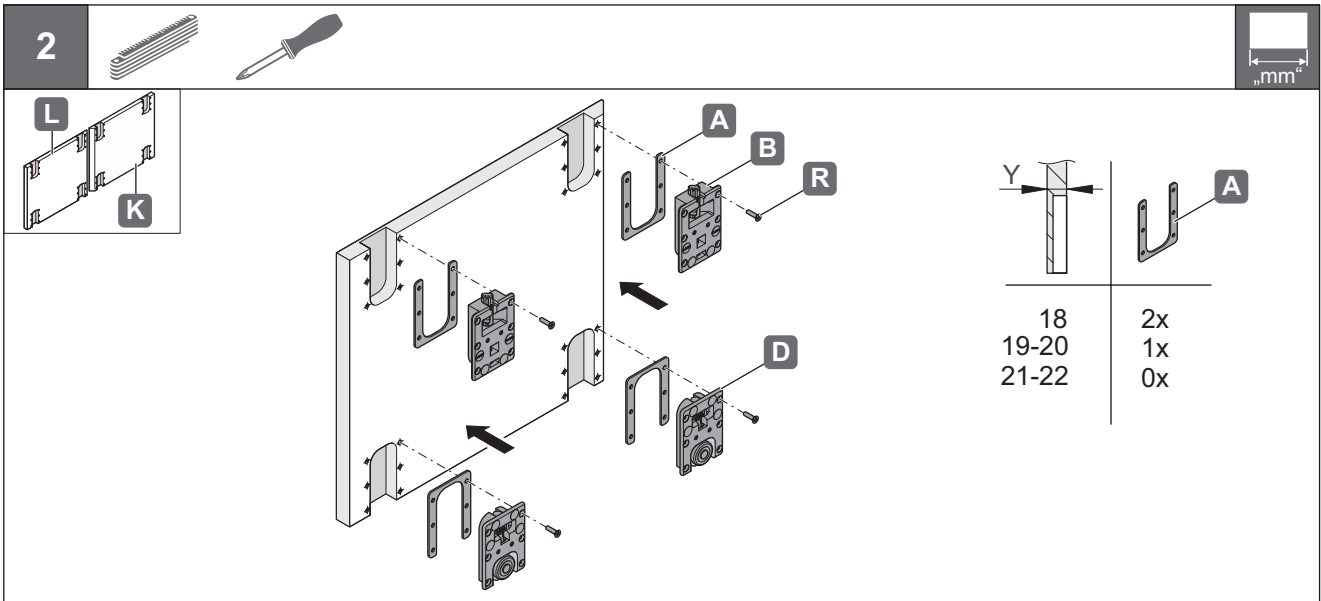
HDE 27.01.2023



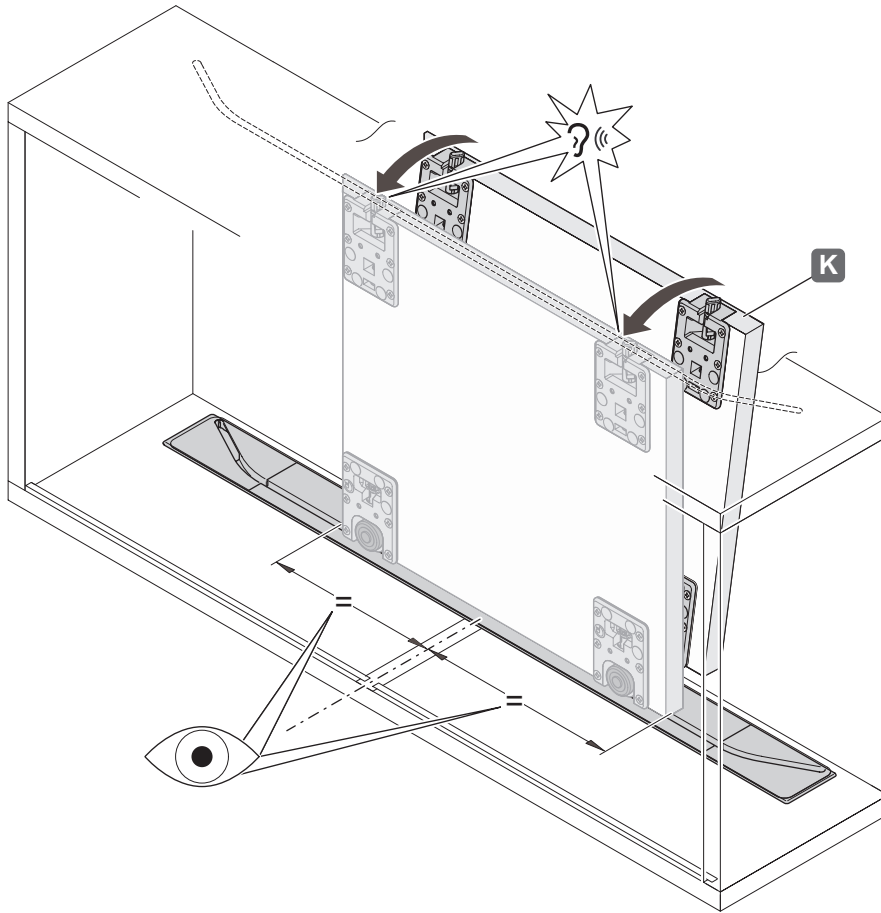
732.24.128

[1653167]

HDE 27.01.2023

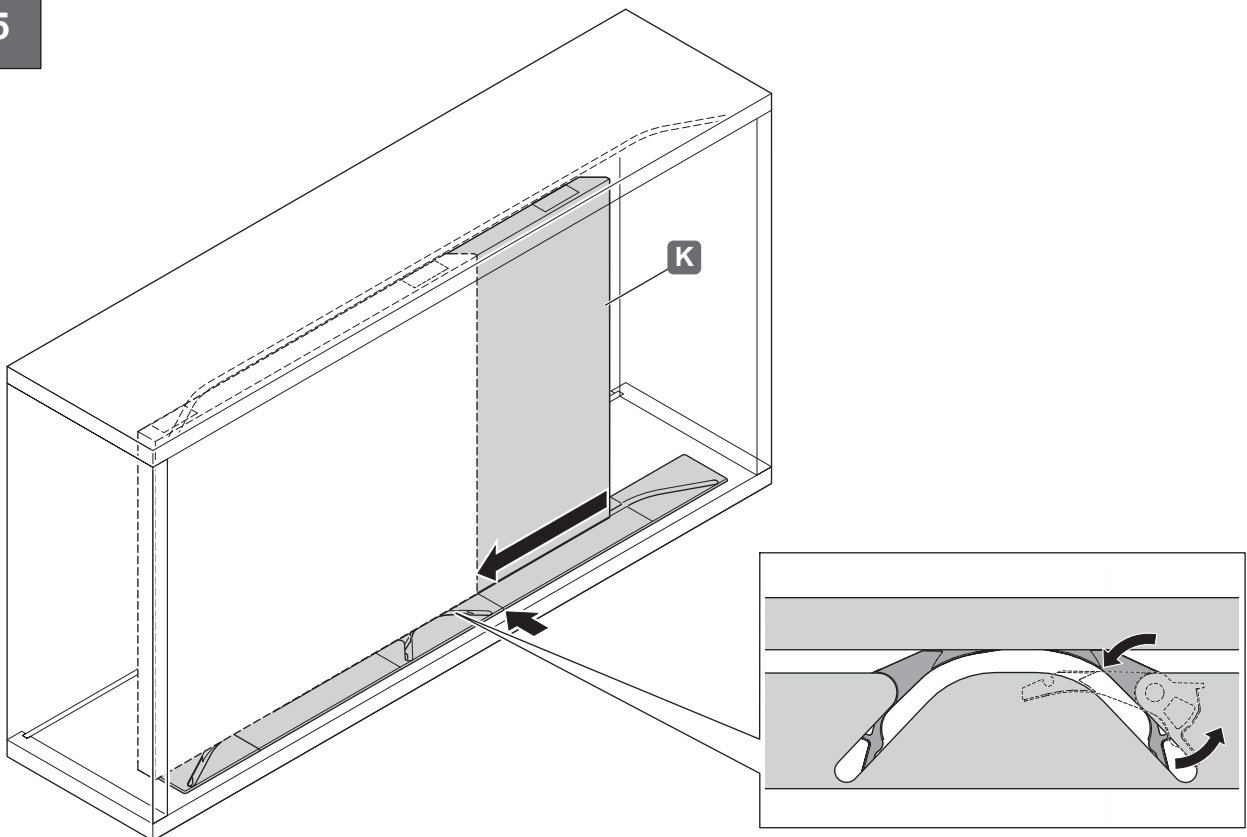


4



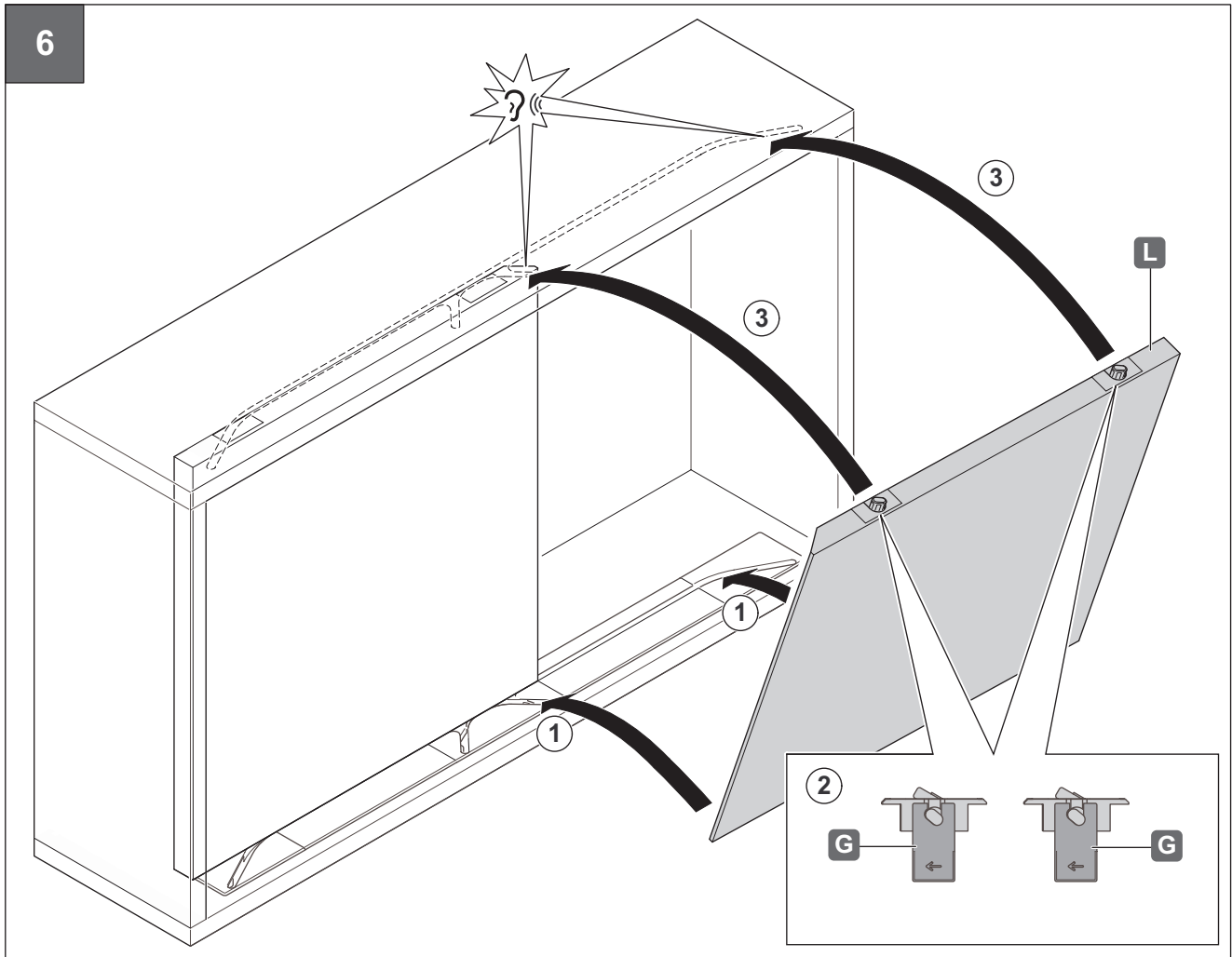
732.24.128

5



[1653167]

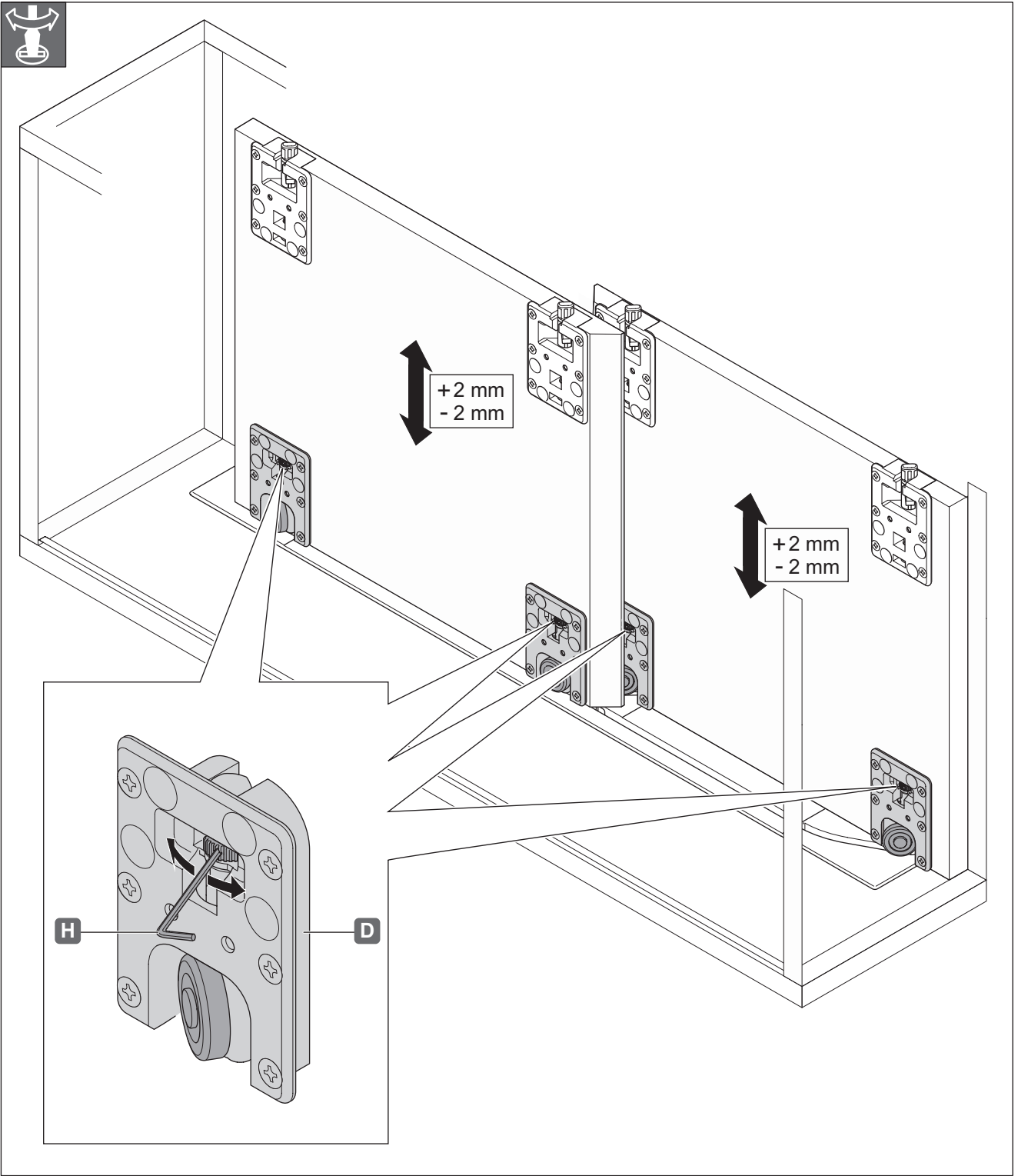
HDE 27.01.2023



732.24.128

[1653167]

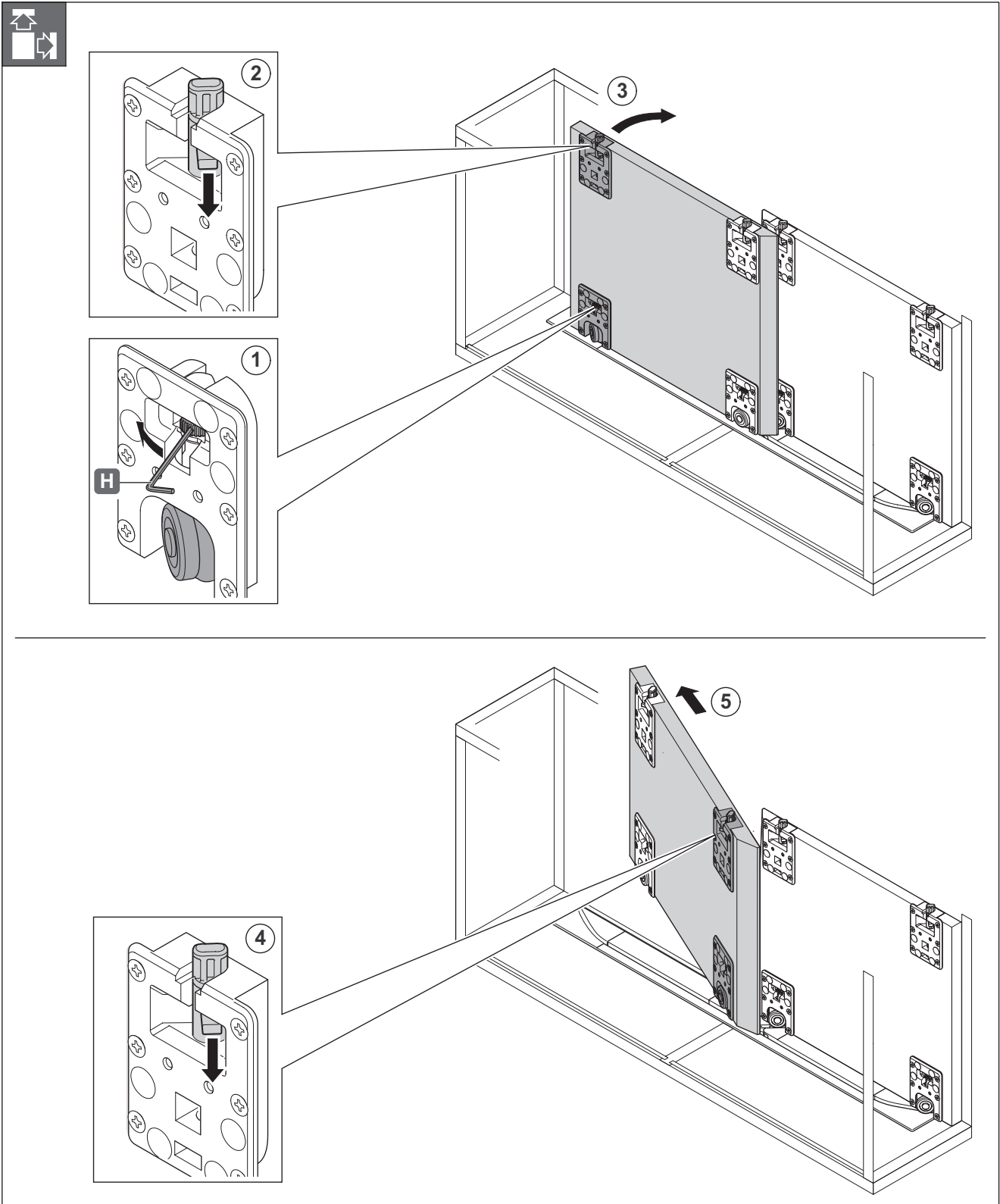
HDE 27.01.2023



732.24.128

[1653167]

HDE 27.01.2023



732.24.128

[1653167]

HDE 27.01.2023