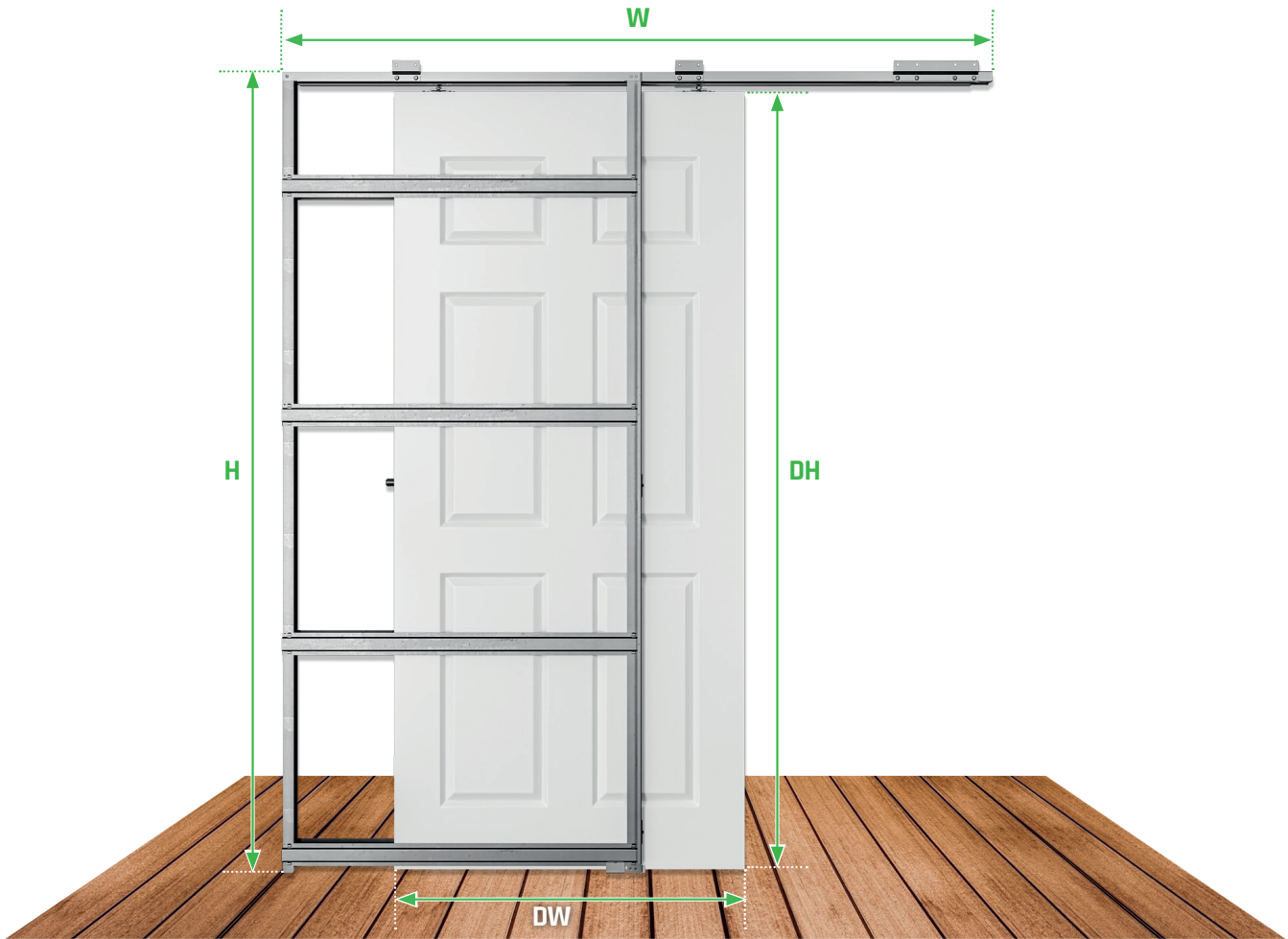




# Rocket Door Frames



**H measurement from finished floor level**

DOOR PANEL		FRAME WIDTH	OVERALL DIMENSIONS			
DW	DH		SINGLE DOOR		DOUBLE DOOR	
			W	H	W	H
610	1981	70	1233	2042	2466	2042
686	1981		1385	2042	2770	2042
762	1981		1537	2042	3074	2042
838	1981		1689	2042	3378	2042
914	1981		1841	2042	3682	2042
626	2040		1264	2101	2528	2101
726	2040		1464	2101	2928	2101
826	2040		1664	2101	3328	2101
926	2040		1864	2101	3728	2101

**Door Thickness: 35 - 44 mm**

- Install at finished floor level.
- To obtain a sliding pocket door with two leaves it's necessary to join n°2 single door kits.
- See page 4 for stud dimensions

 **CAUTION**

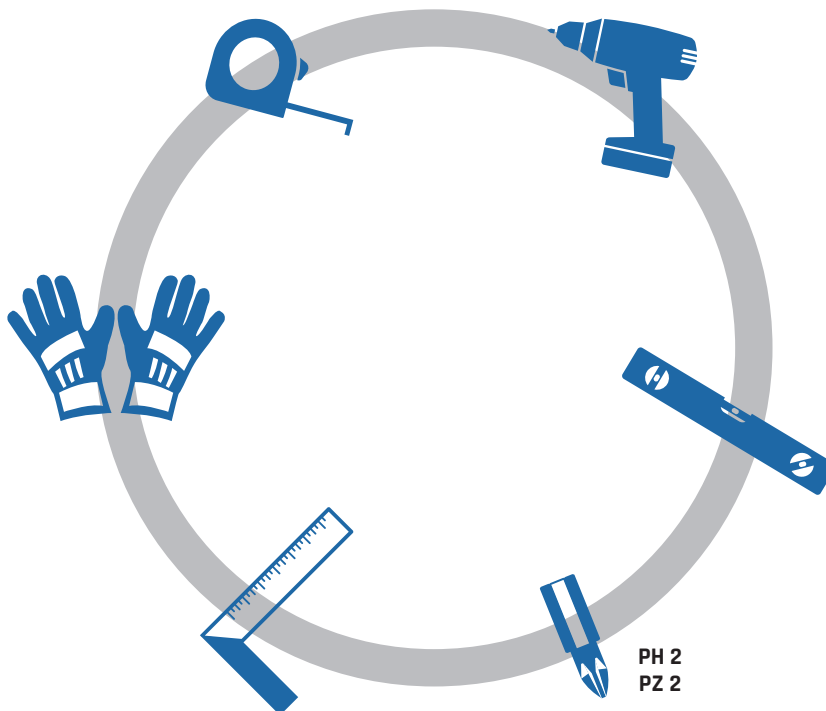
Please follow the instructions carefully as they have been designed to help you, don't skip any pages or stages as you may cause yourself problems. Use the correct tools and relevant protective clothing/eyewear, gloves are essential as there may be some sharp edges. A pair of trestles would be useful for the assembly.

**WANT TO SEE  
HOW IT'S DONE?**



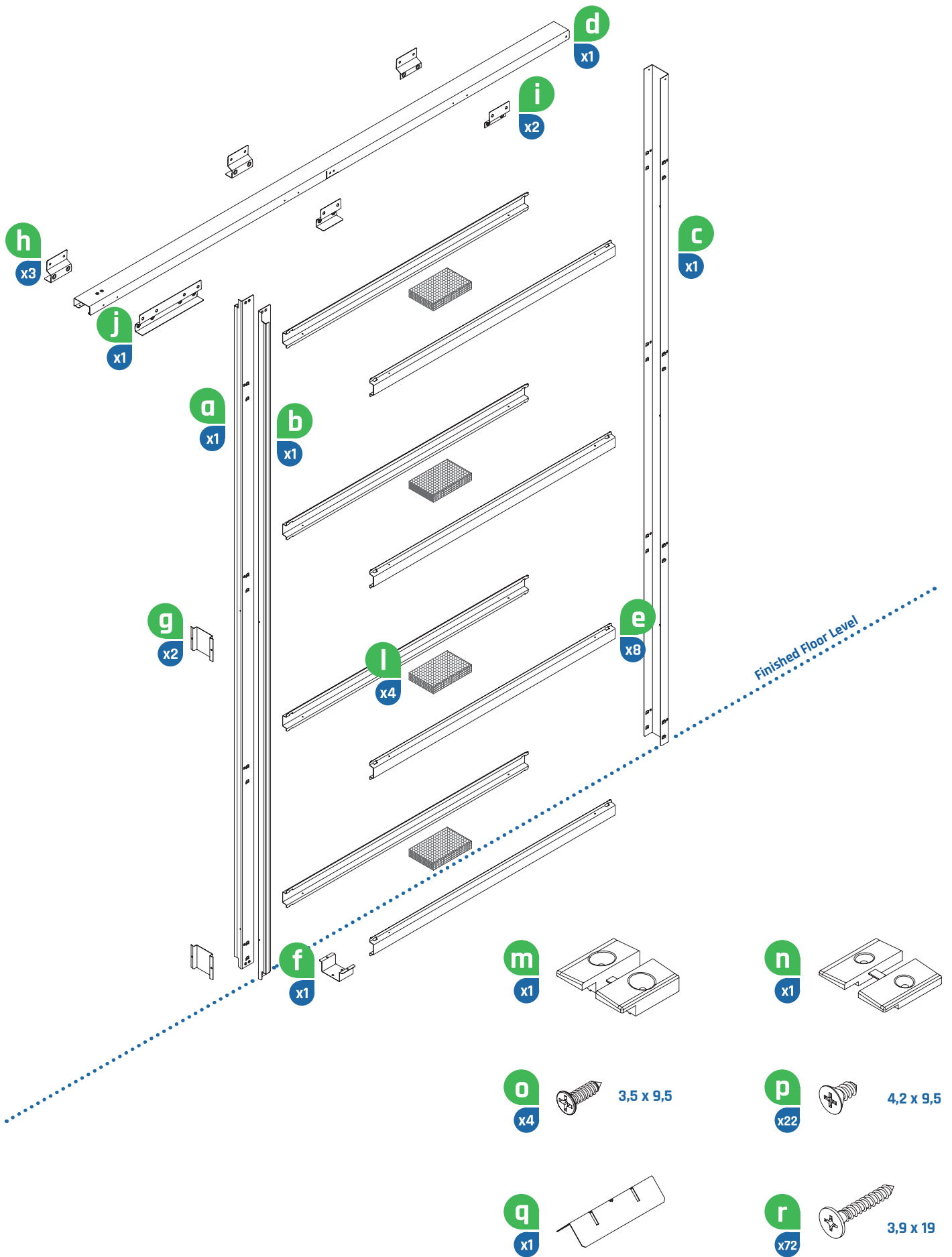
**GO TO [WWW.ROCKETDOORFRAMES.CO.UK](http://WWW.ROCKETDOORFRAMES.CO.UK)  
TO SEE THE INSTALLATION VIDEO**

**TOOLS REQUIRED**



# CONTENTS

EACH KIT CONTAINS:



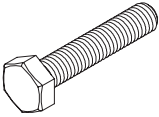
# CONTENTS

EACH KIT CONTAINS:

aa  
x2



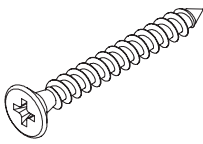
bb  
x2



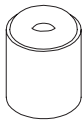
cc  
x2



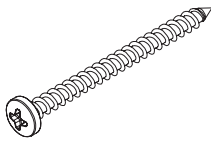
dd  
x8



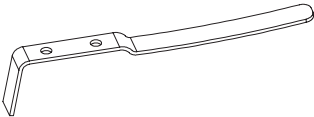
ee  
x1



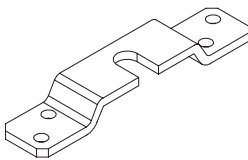
ff  
x1



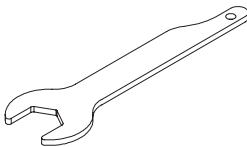
gg  
x1



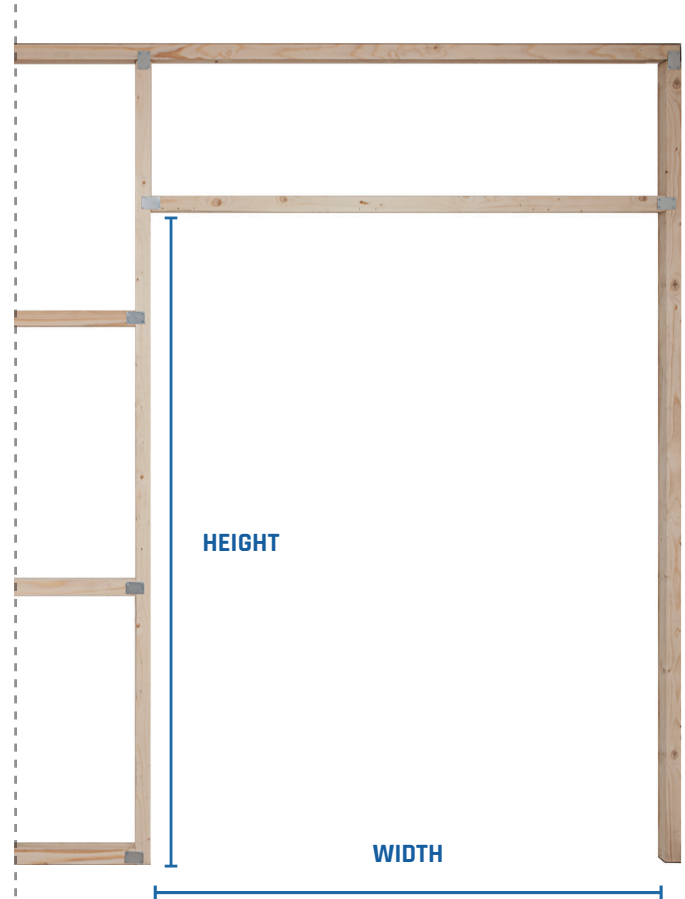
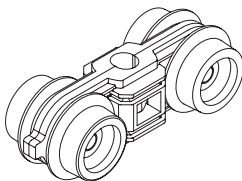
hh  
x2



ii  
x2



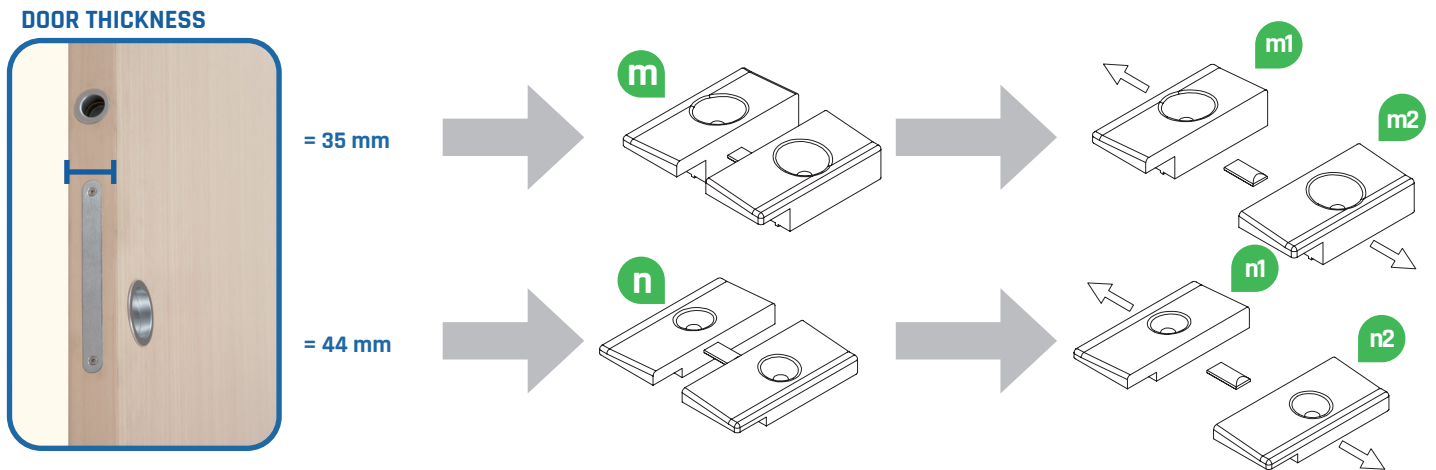
ll  
x2



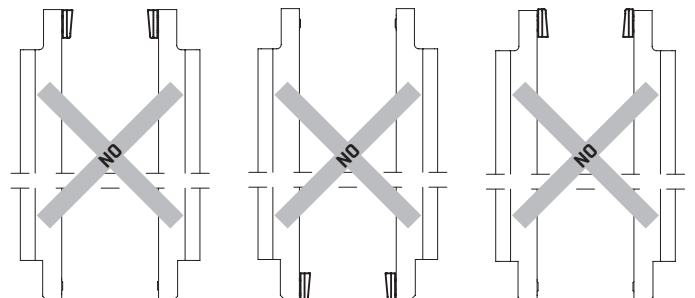
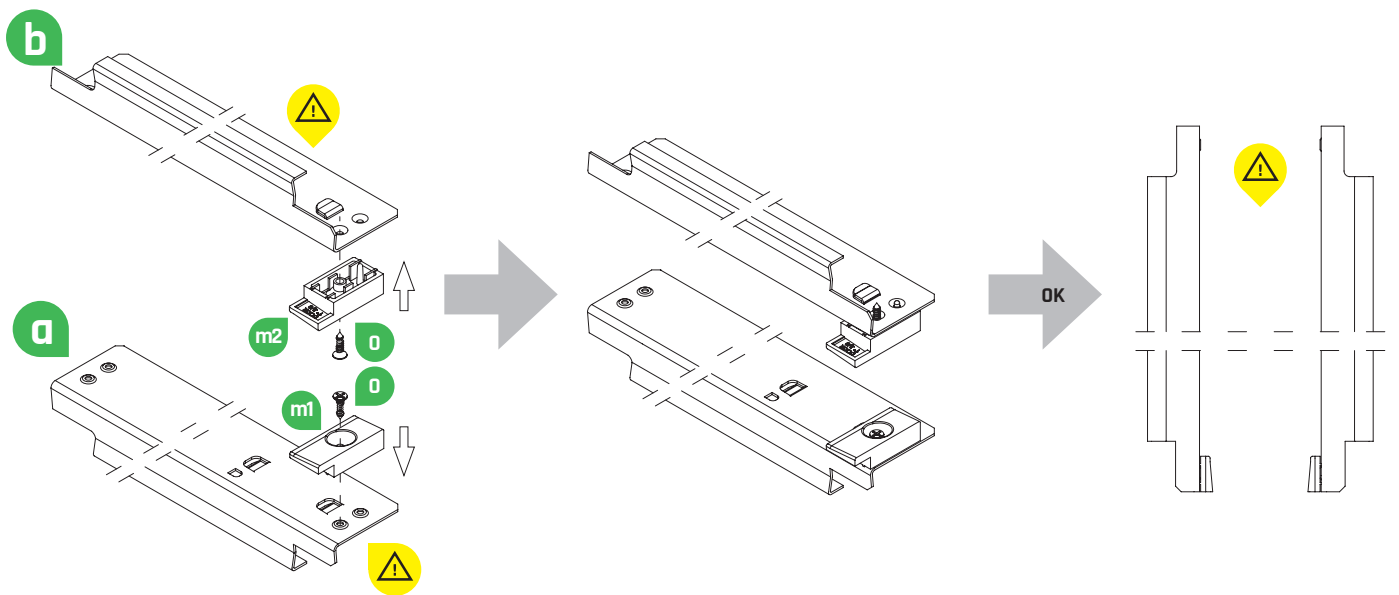
DOOR PANEL		OVERALL DIMENSIONS			
		SINGLE DOOR		DOUBLE DOOR	
DW	DH	W	H	W	H
610	1981	1233	2042	2466	2042
686	1981	1385	2042	2770	2042
762	1981	1537	2042	3074	2042
838	1981	1689	2042	3378	2042
914	1981	1841	2042	3682	2042
626	2040	1264	2101	2528	2101
726	2040	1464	2101	2928	2101
826	2040	1664	2101	3328	2101
926	2040	1864	2101	3728	2101

Door Thickness: 35 - 44 mm

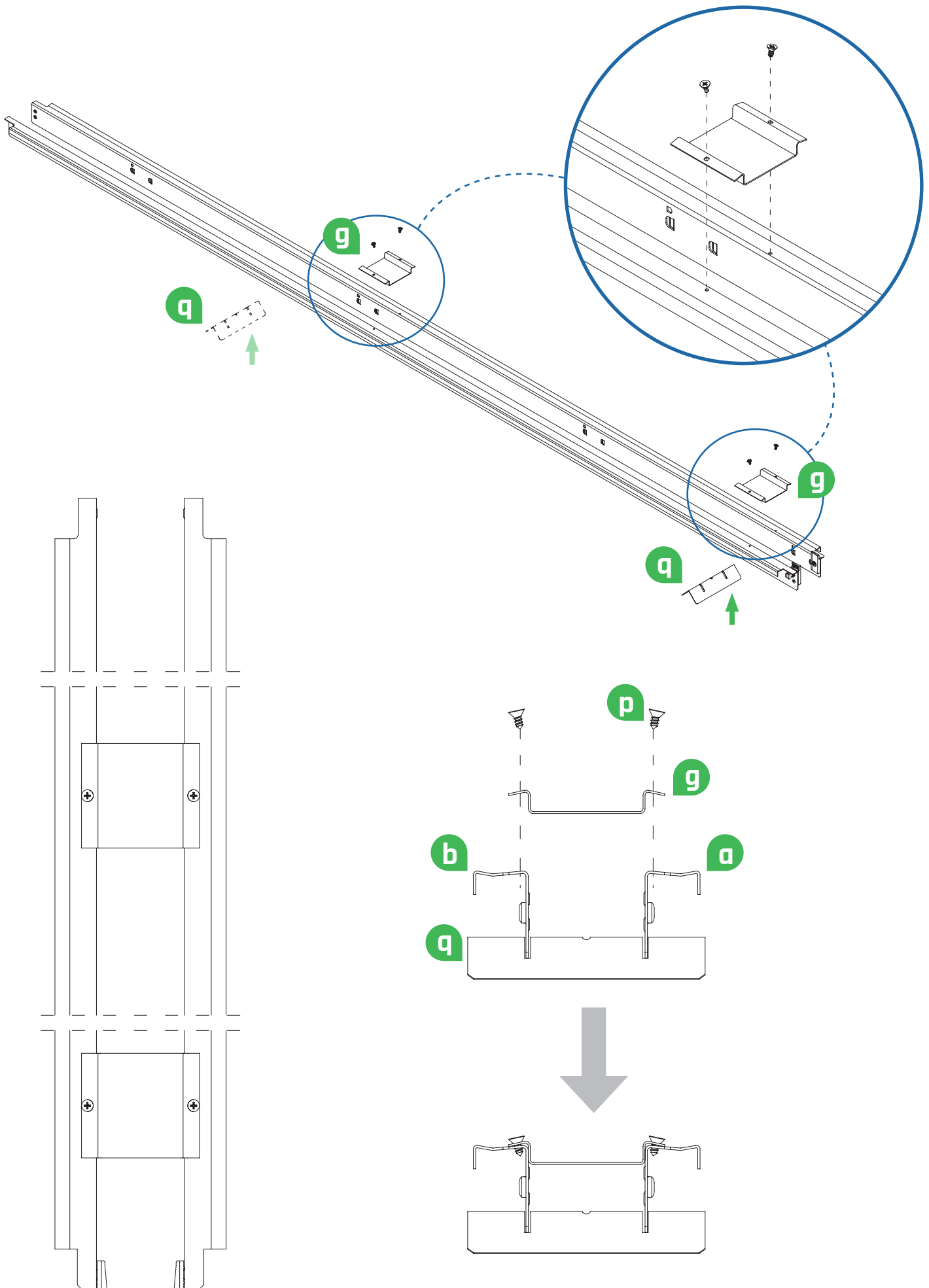
# CHOOSING THE DOOR GUIDE FOR WOODEN DOORS ONLY

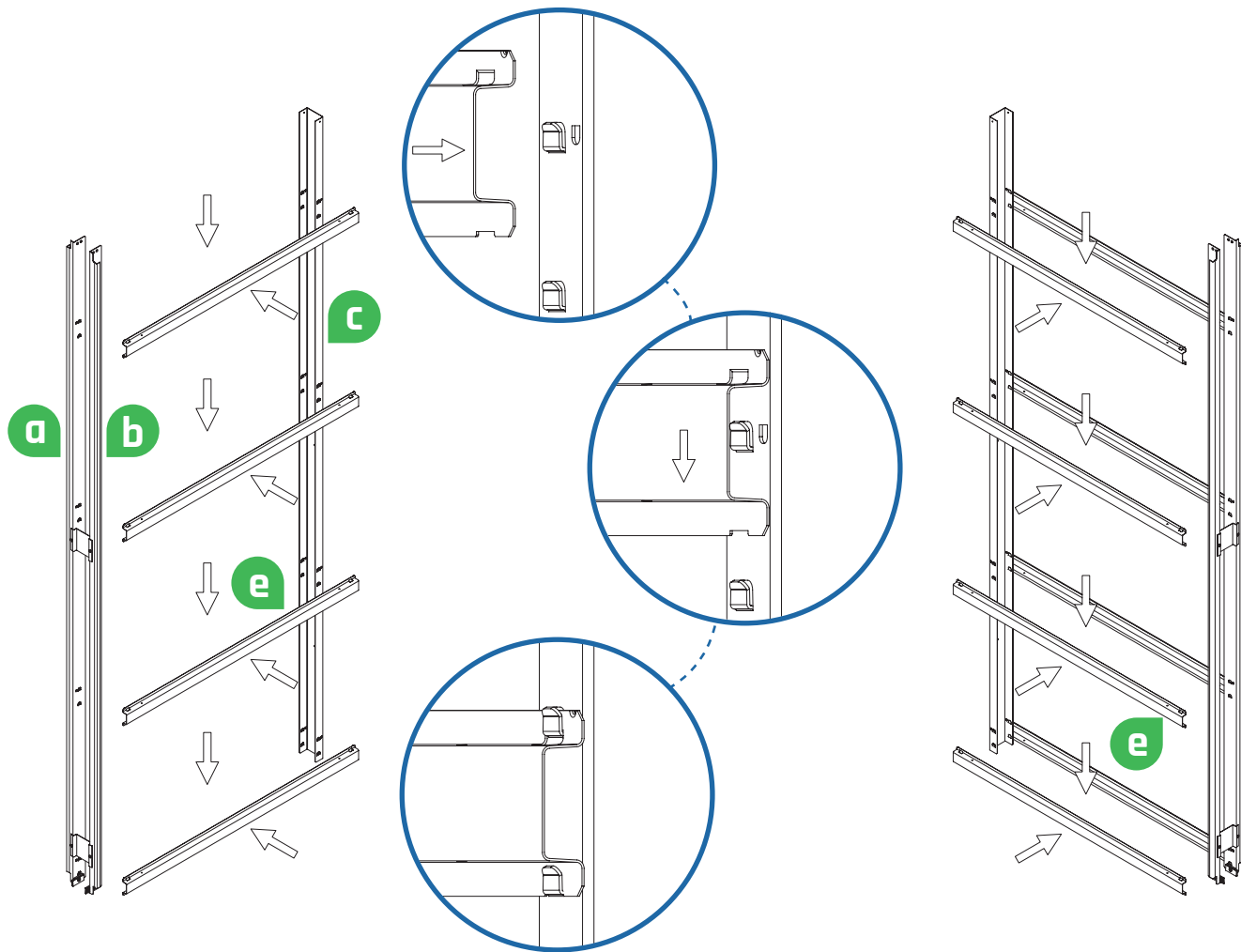


## FOR EXAMPLE 35 mm THICK DOOR

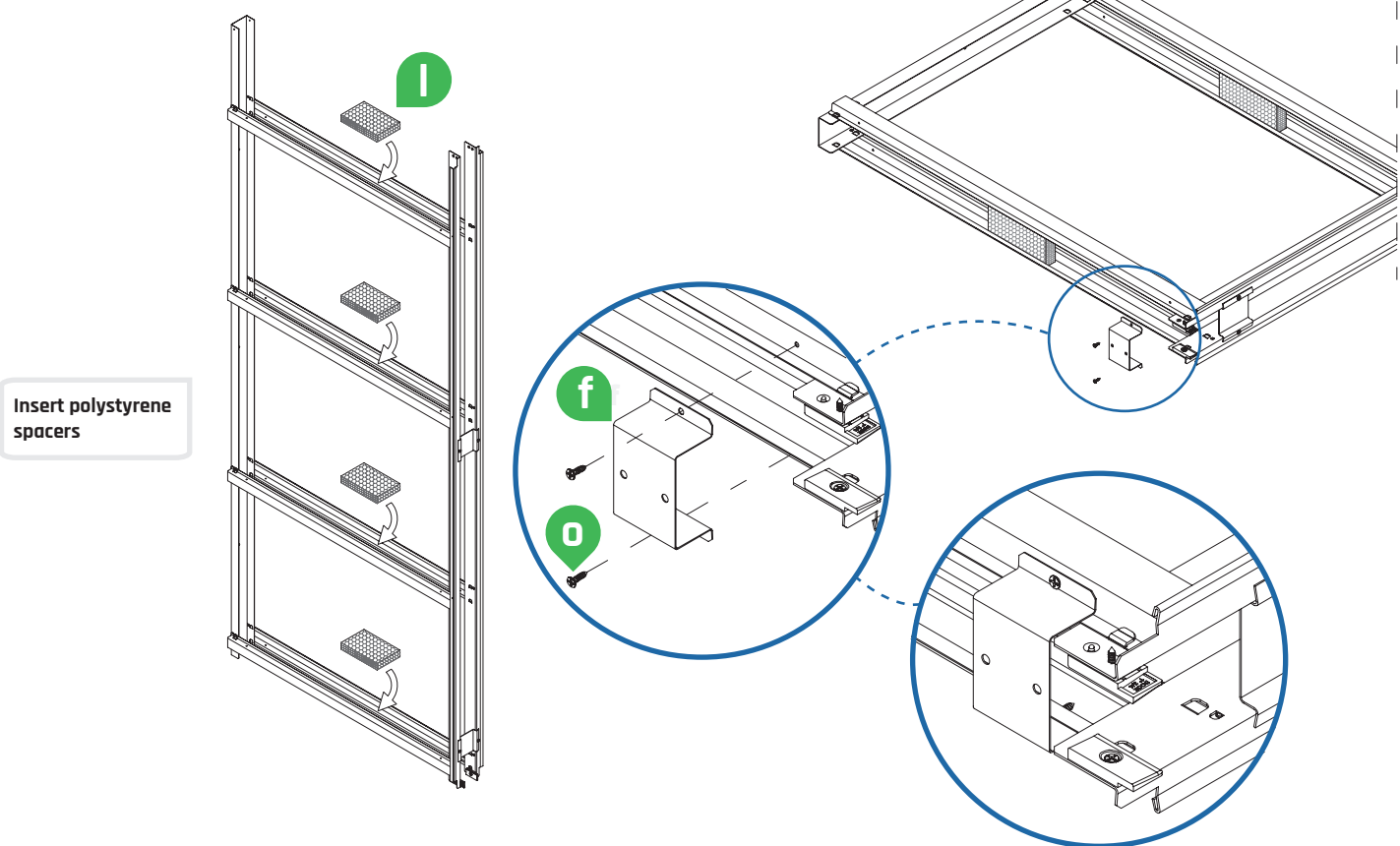


## ATTACHING THE BRACKETS



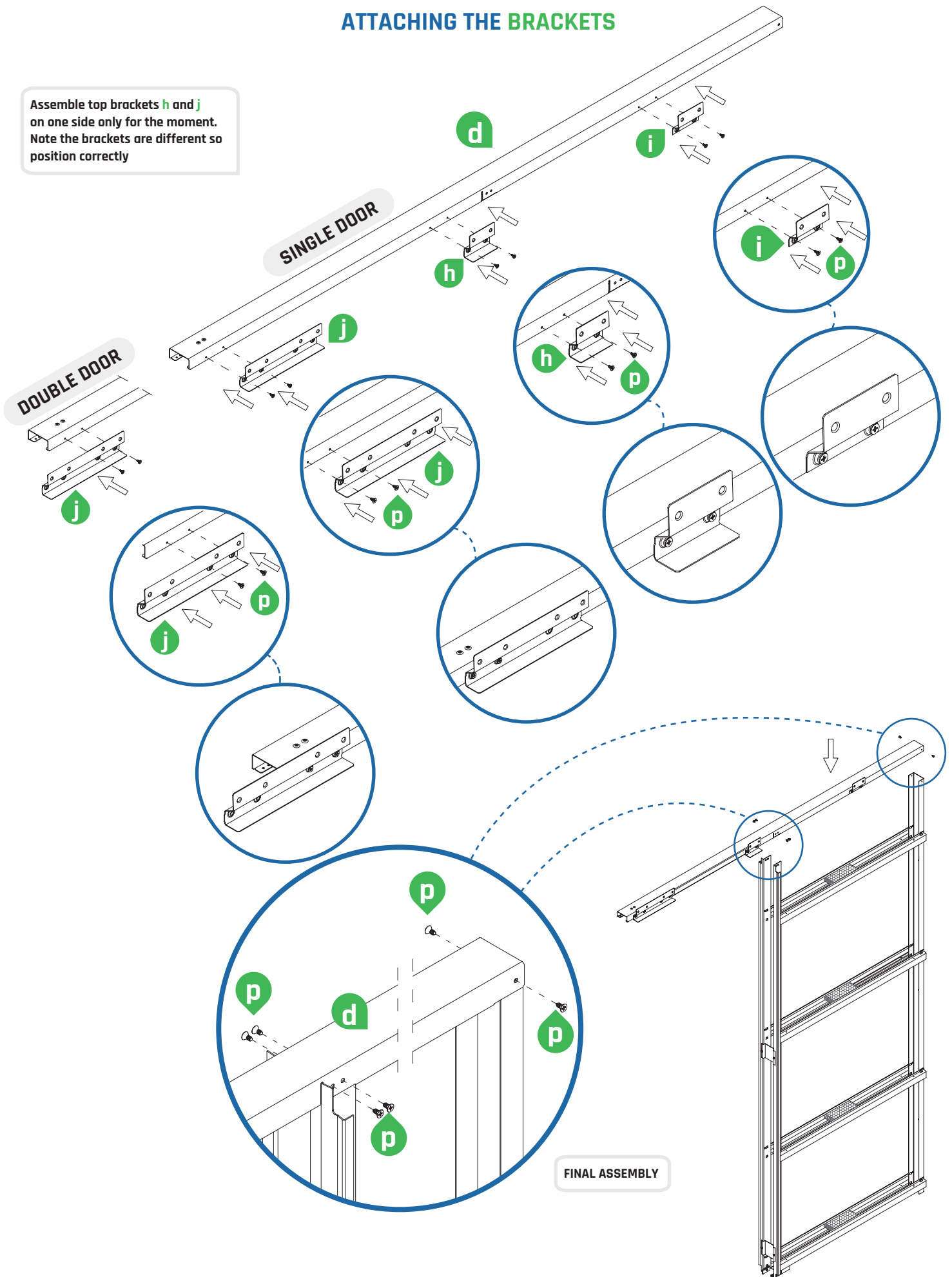


## FRAME ASSEMBLING



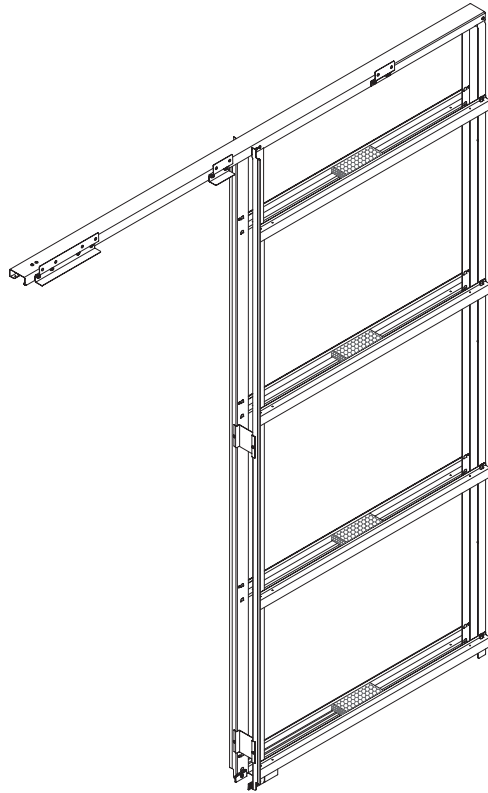
## ATTACHING THE BRACKETS

Assemble top brackets **h** and **j** on one side only for the moment. Note the brackets are different so position correctly

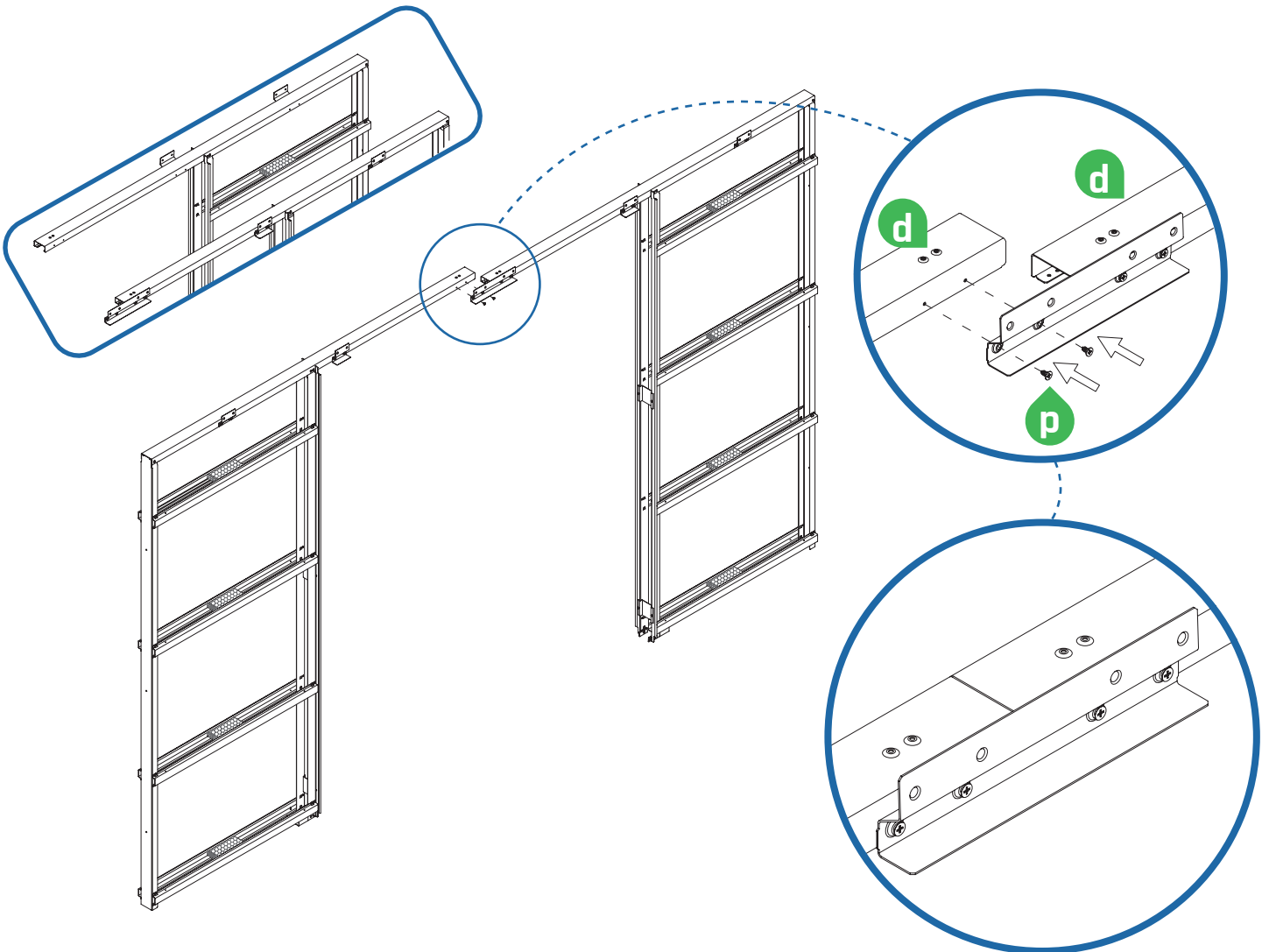




## SINGLE DOOR

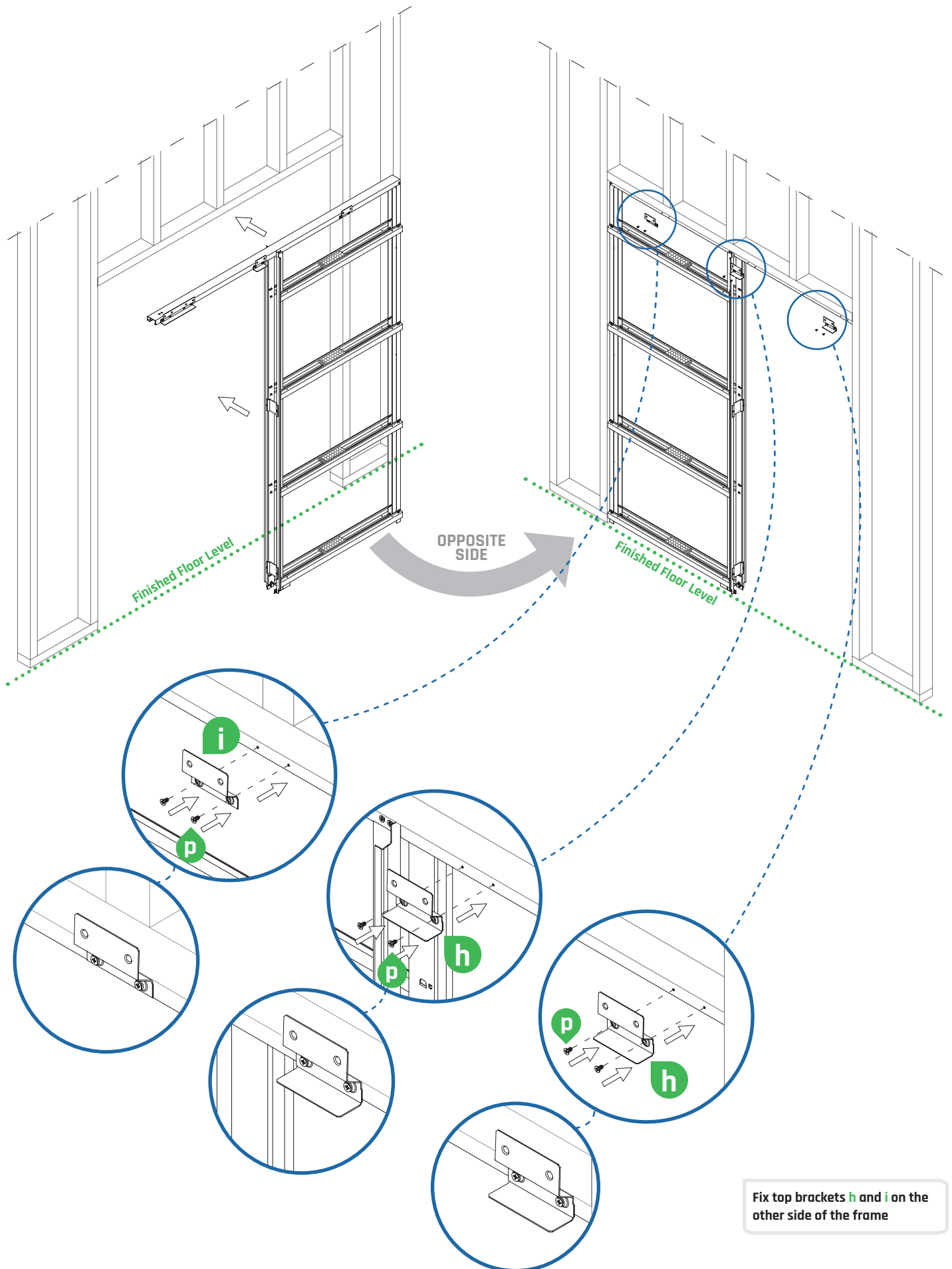


## DOUBLE DOOR



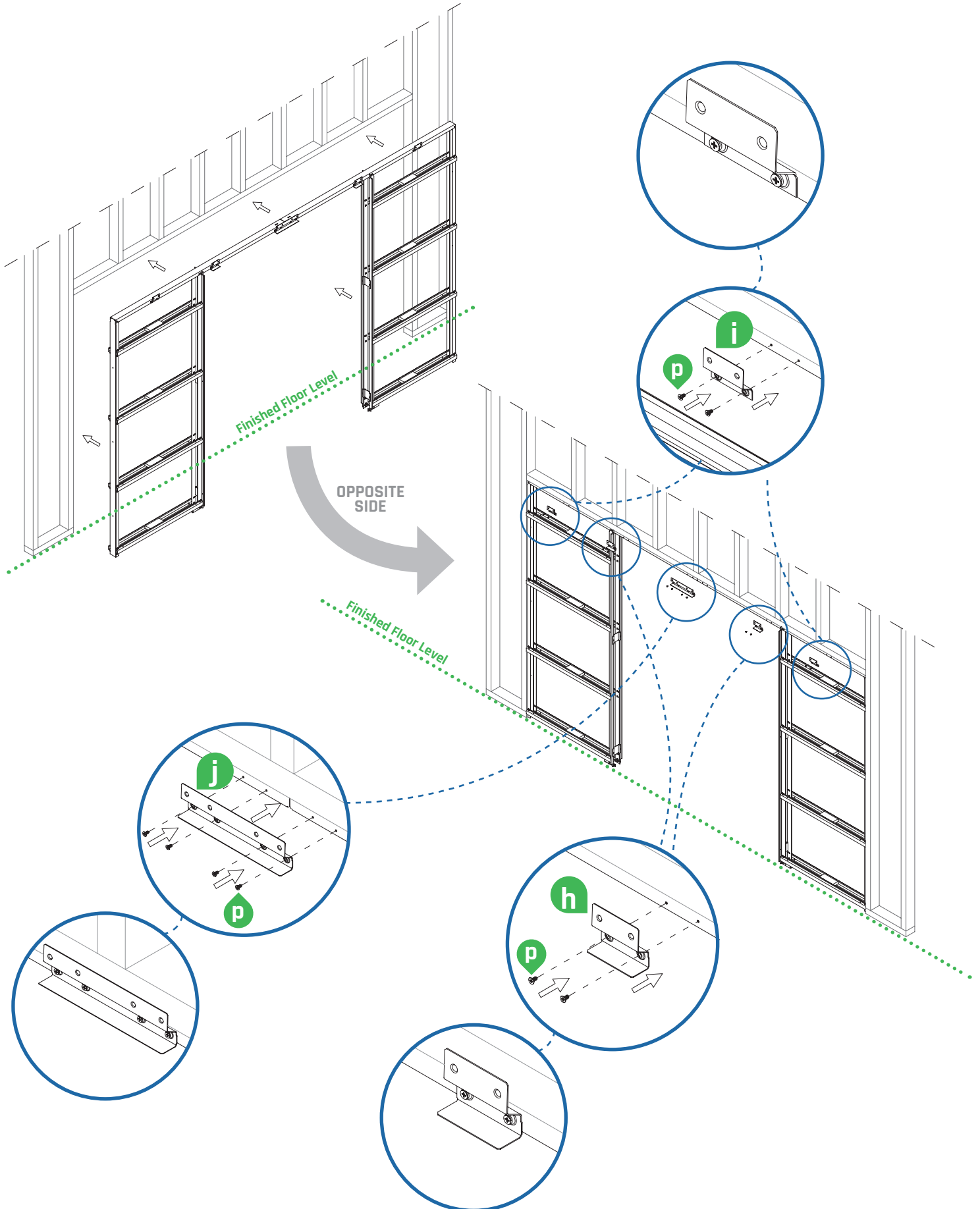
# INSTALLING IN STUDWORK

## SINGLE DOOR



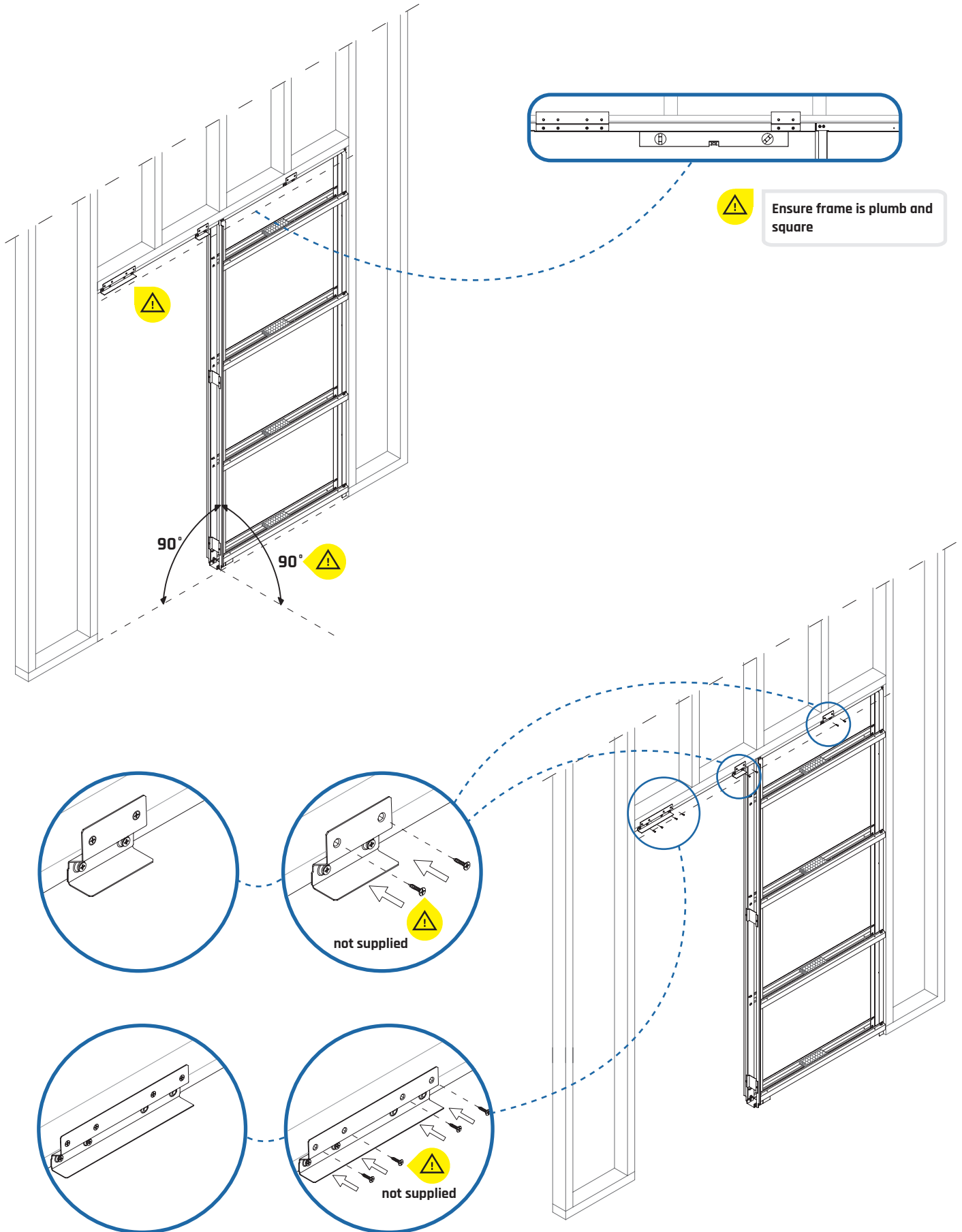
# INSTALLING IN STUDWORK

## DOUBLE DOOR



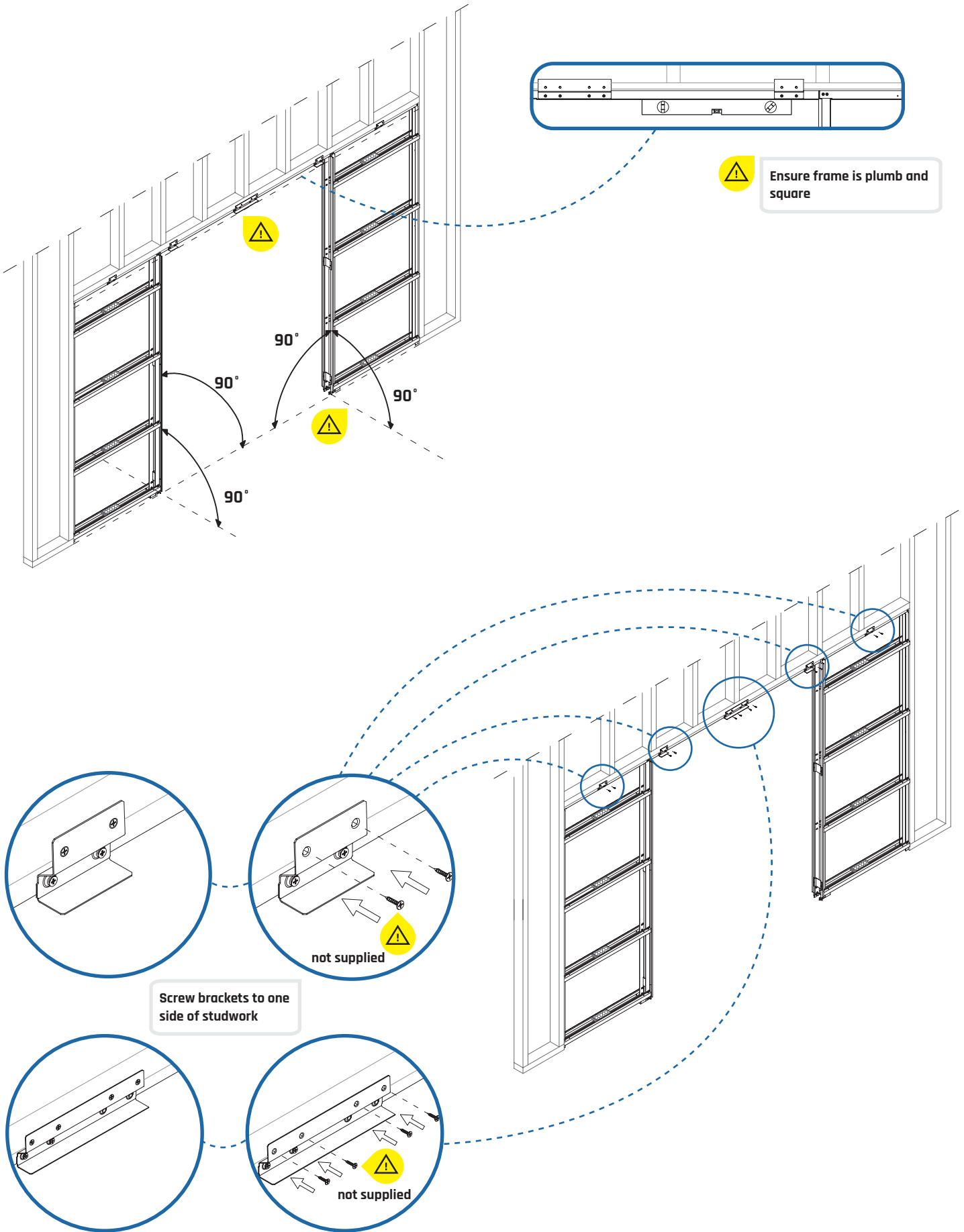
# INSTALLING IN STUDWORK

## SINGLE DOOR



# INSTALLING IN STUDWORK

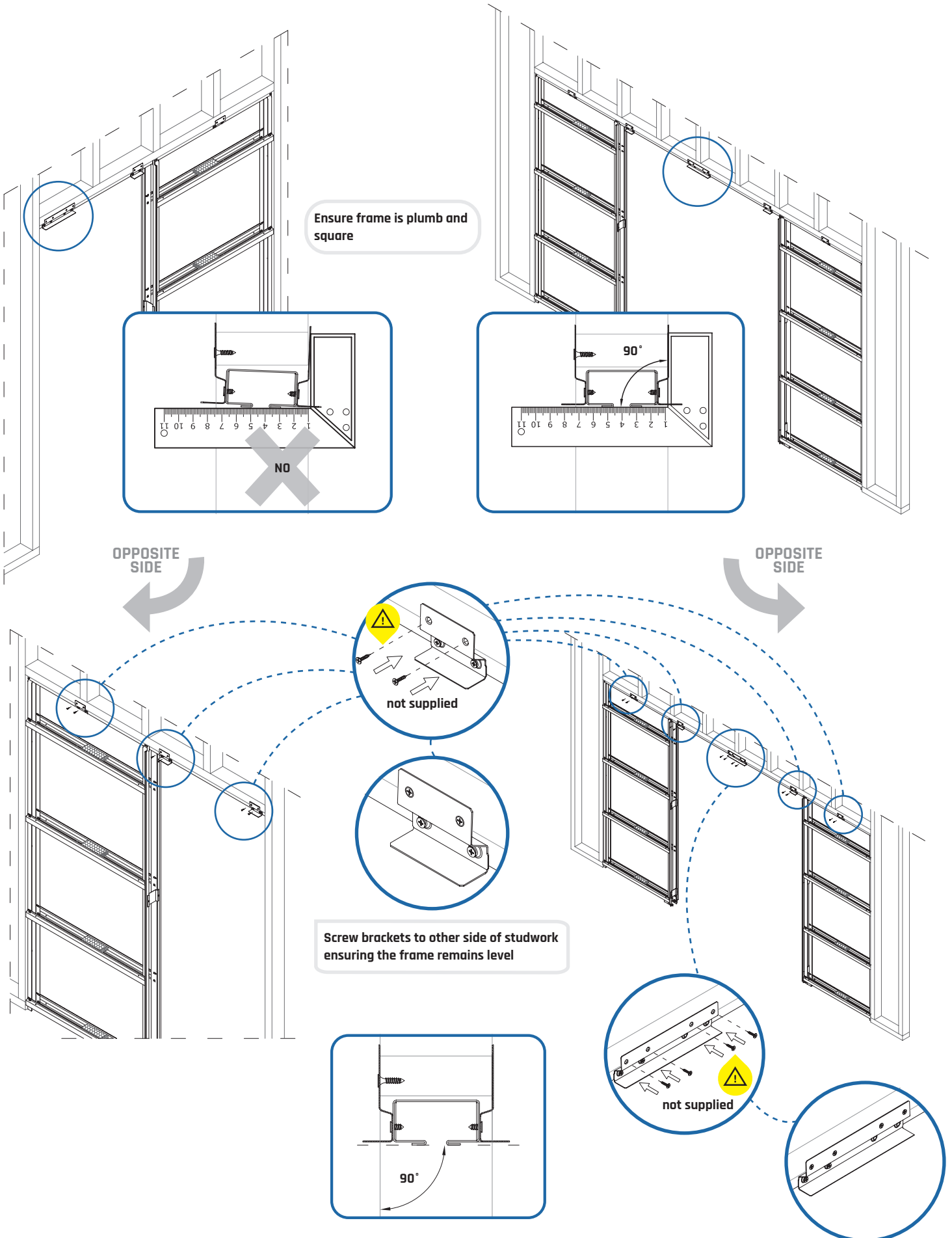
## DOUBLE DOOR



# INSTALLING IN STUDWORK

## SINGLE DOOR

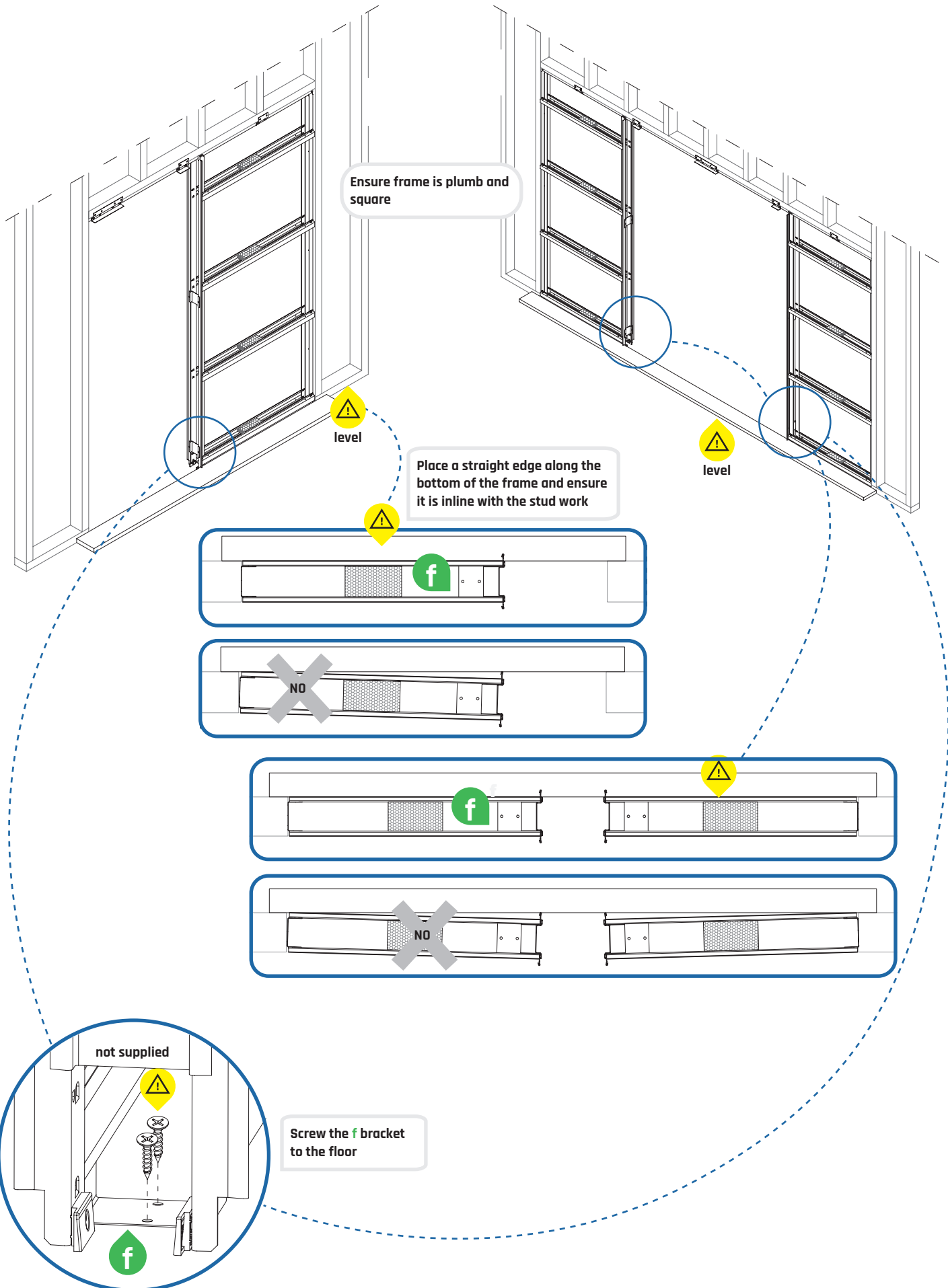
## DOUBLE DOOR



# INSTALLING IN STUDWORK

## SINGLE DOOR

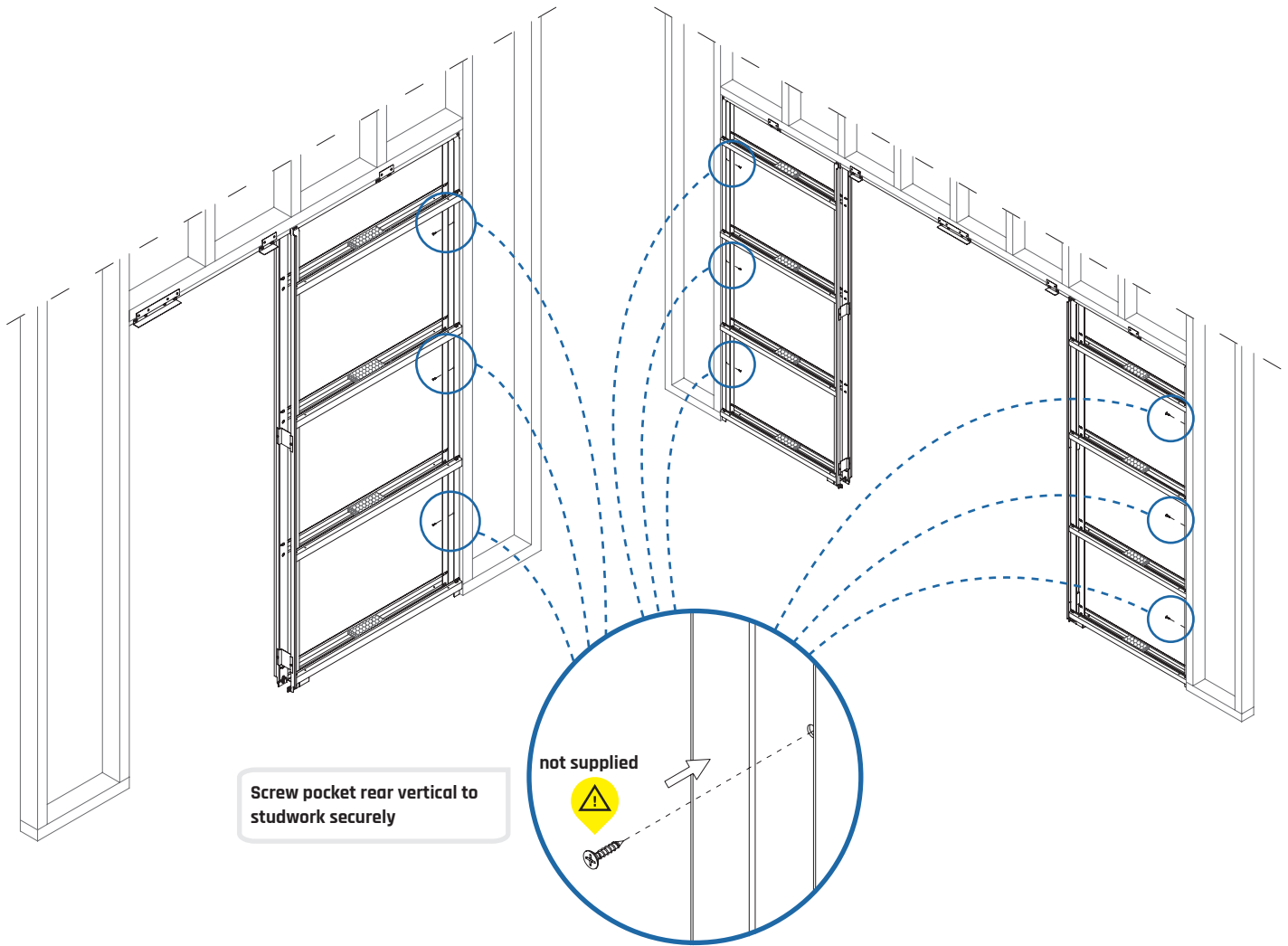
## DOUBLE DOOR



## SCREWING THE REAR VERTICAL TO THE STUDWORK

SINGLE DOOR

DOUBLE DOOR

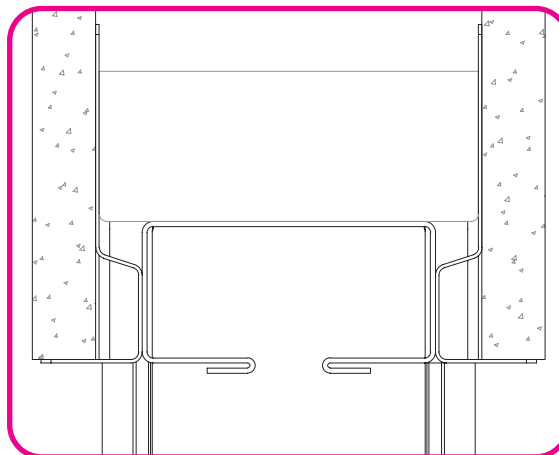


Screw pocket rear vertical to studwork securely

not supplied



x2



CAREFULLY CLEAN THE TRACK TWICE

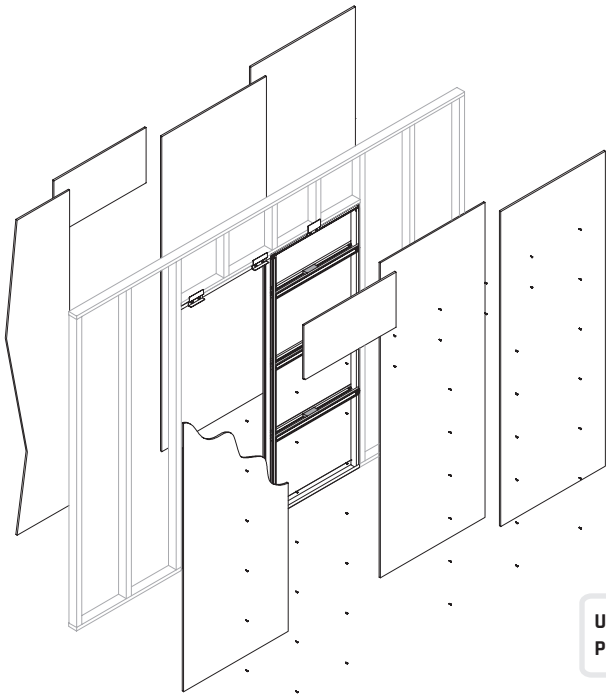
IF INSTALLING A GLASS DOOR PLEASE REFER TO THE GLASS DOOR INSTRUCTIONS LOCATED IN THE GLASS DOOR



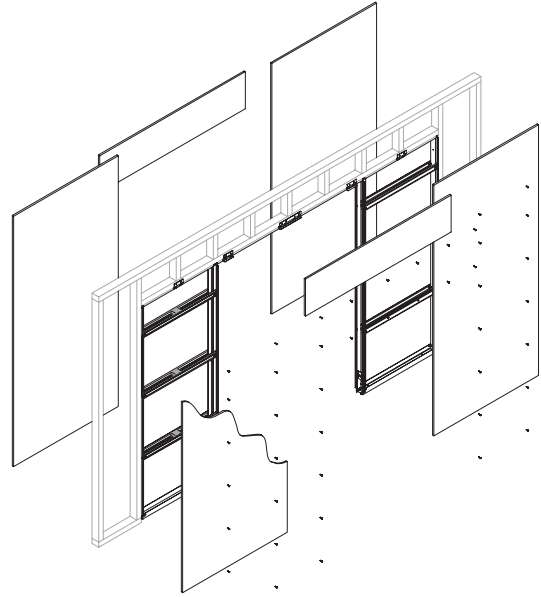
## FIXING THE PLASTERBOARD

If installing a FD30 kit allow for two layers of plasterboard each side of the frame

### SINGLE DOOR

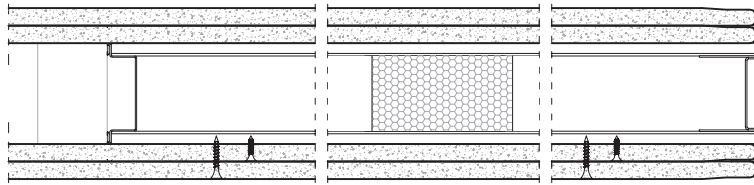


### DOUBLE DOOR



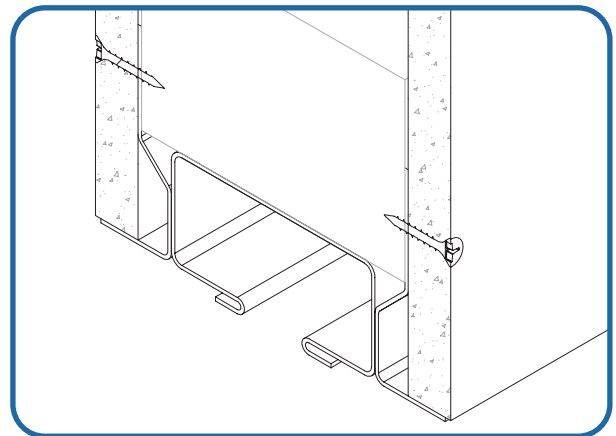
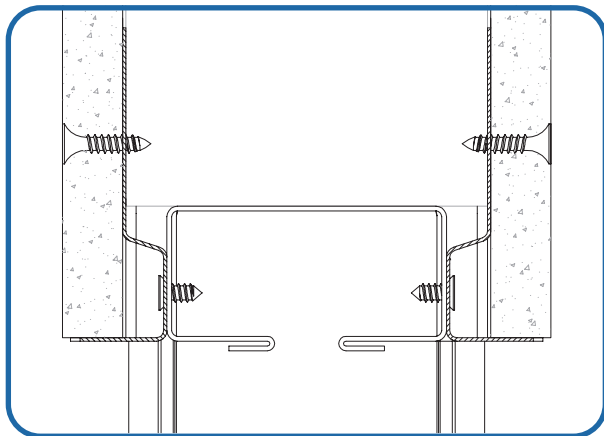
USE 12.5 mm  
PLASTERBOARD

 If installing a FD30 kit allow for two layers of plasterboard each side of the frame



Use supplied 25 mm  
screws for the first layer

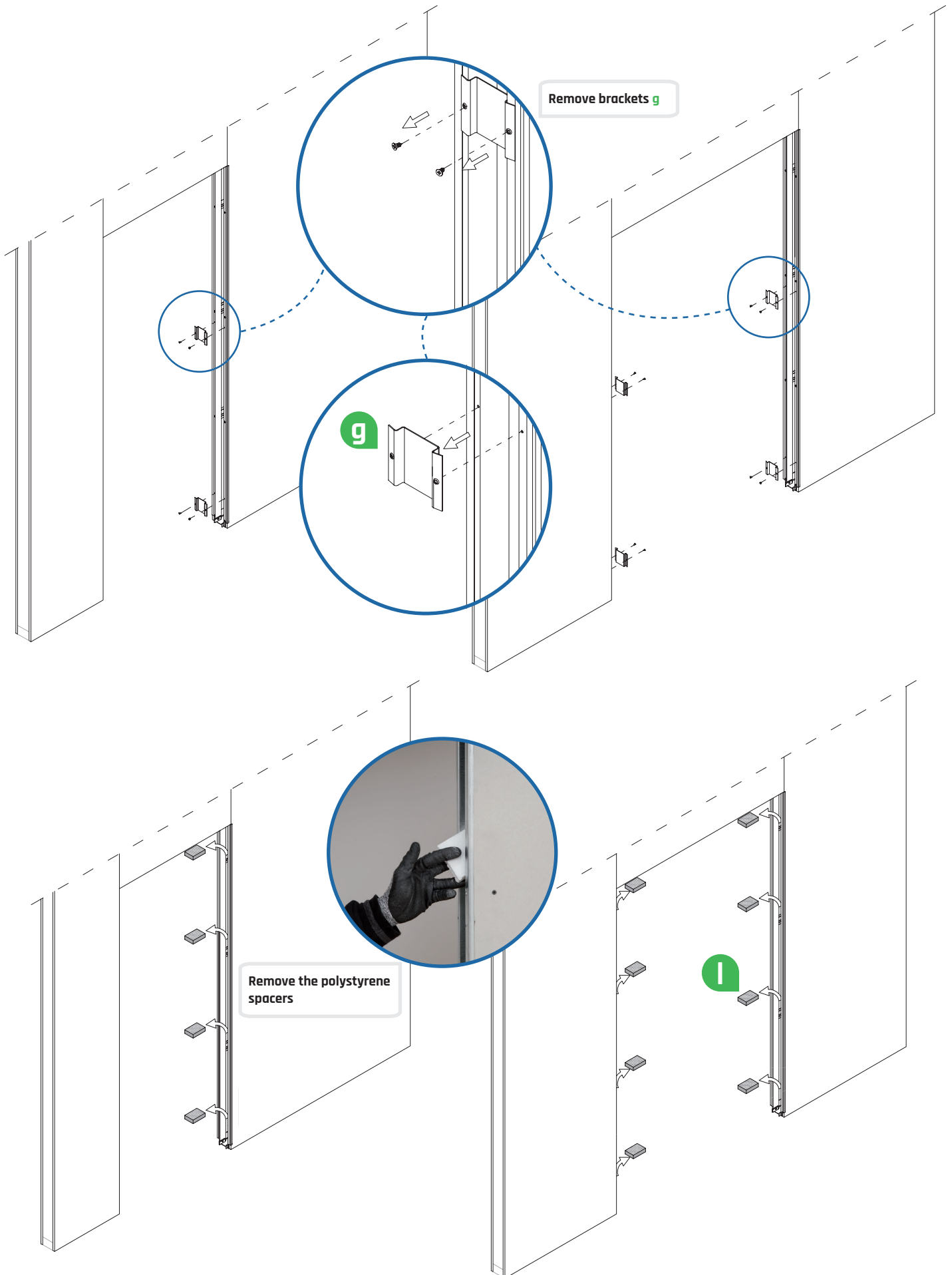
Second layer screws are  
not supplied



## REMOVING BRACKETS AND SPACERS

SINGLE DOOR

DOUBLE DOOR



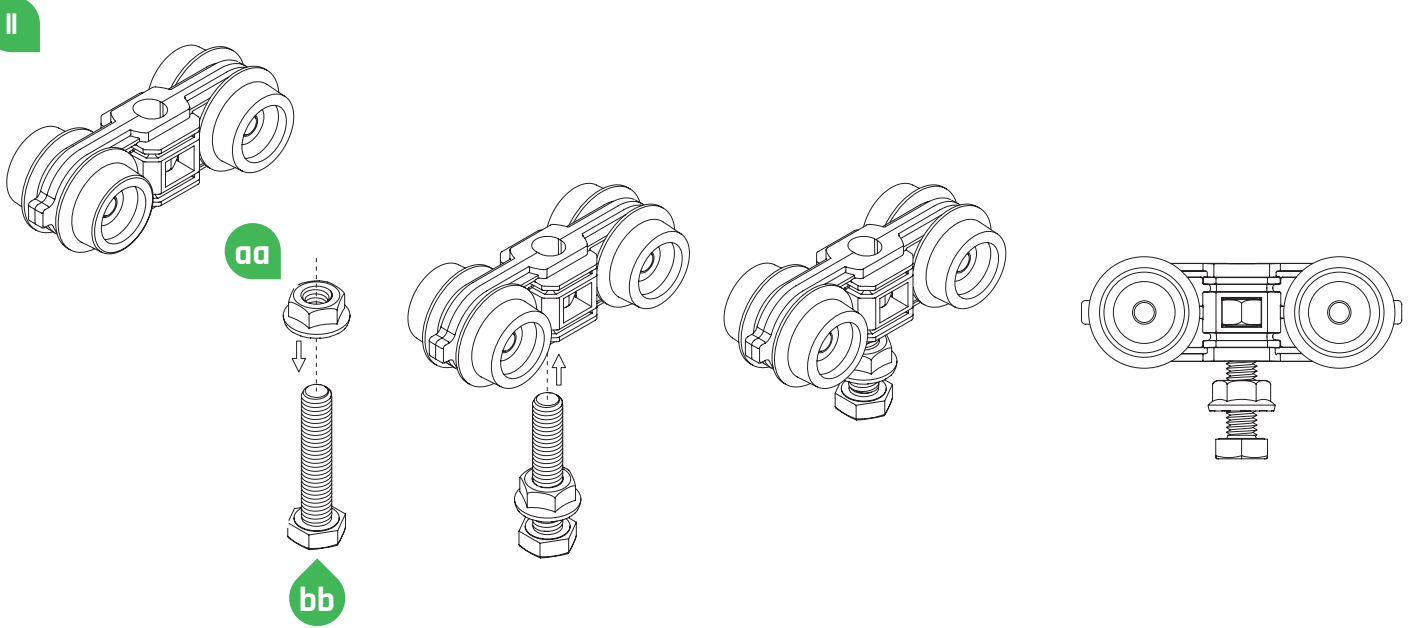
## RUNNERS ASSEMBLING

X2

SINGLE DOOR

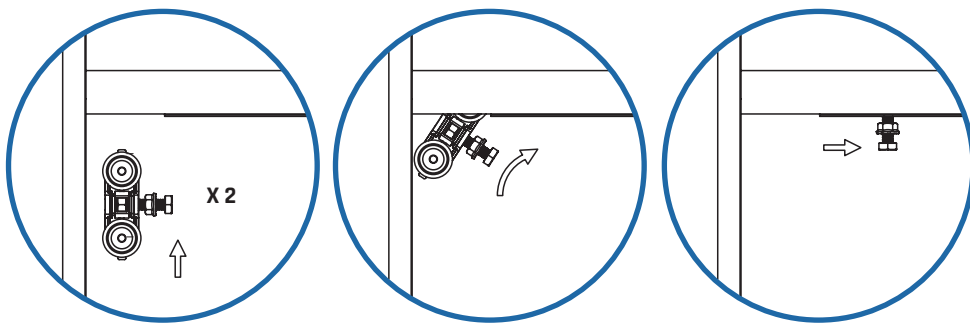
X4

DOUBLE DOOR

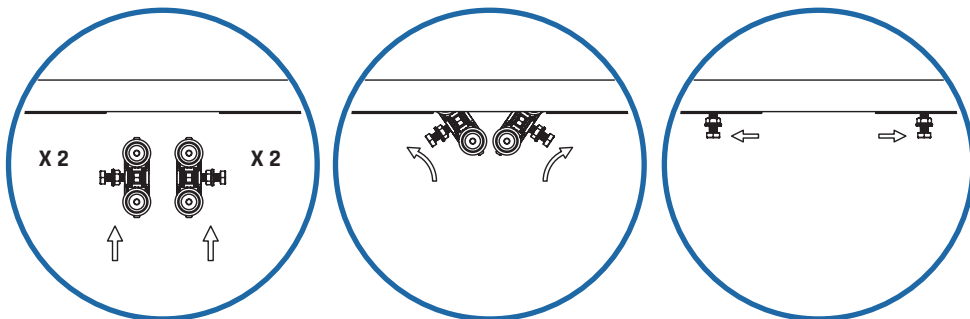


## INSERT RUNNERS INTO TRACK

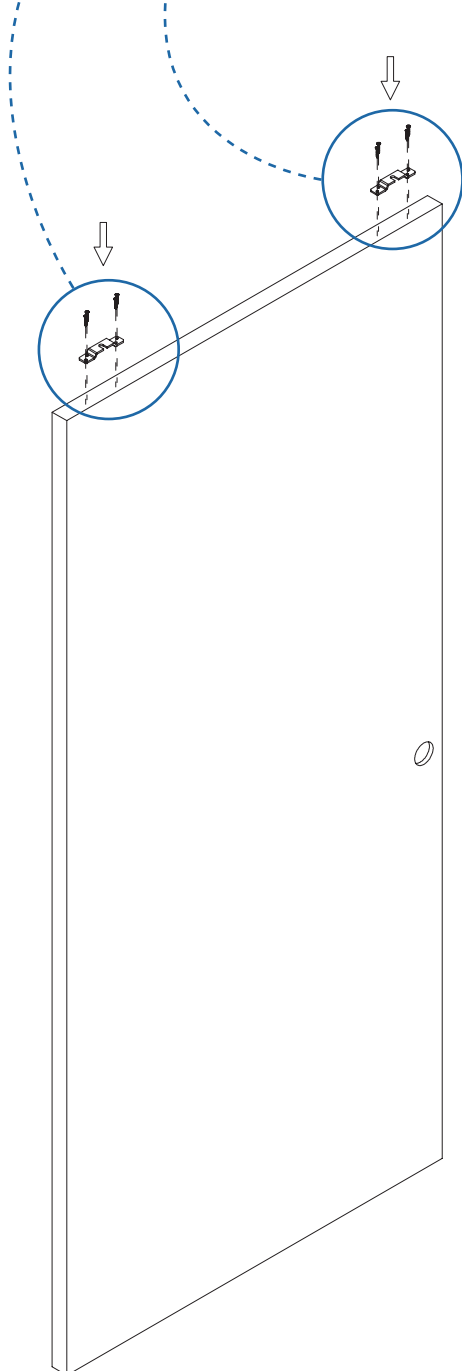
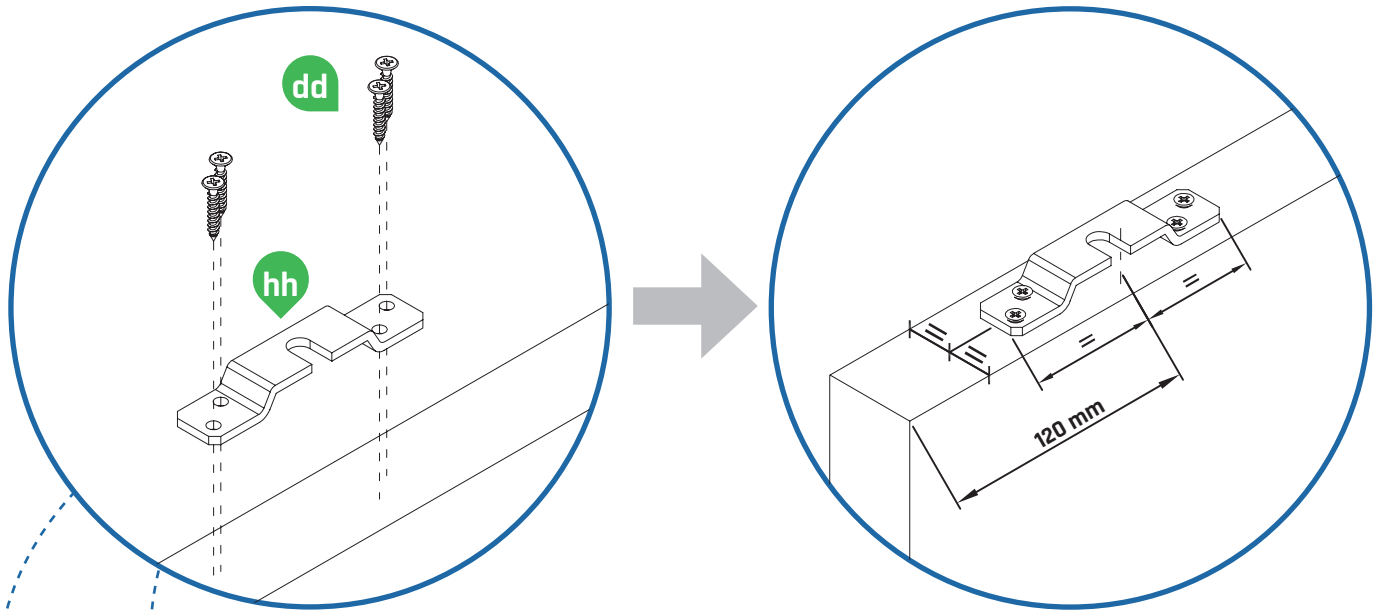
SINGLE DOOR



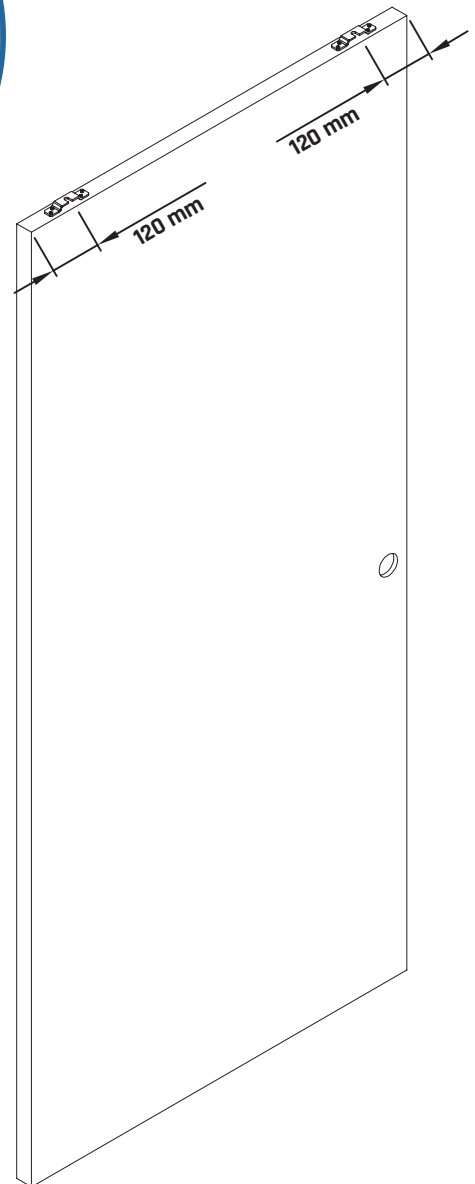
DOUBLE DOOR



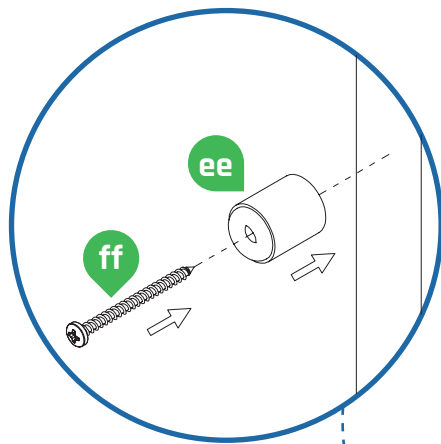
## INSTALLING DOOR BRACKETS



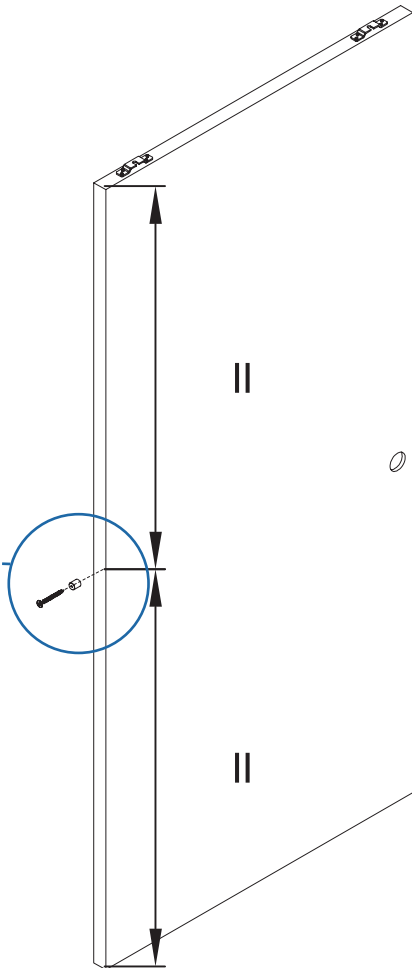
**IMPORTANT:**  
for double doors position  
front bracket on each door at  
90 mm instead of 120 mm.



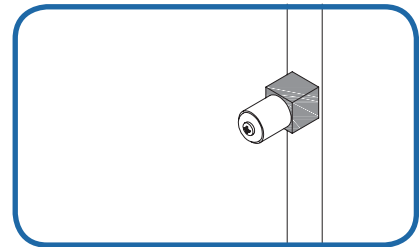
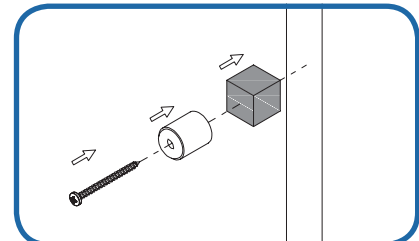
## INSTALLING REAR DOOR BUMPER



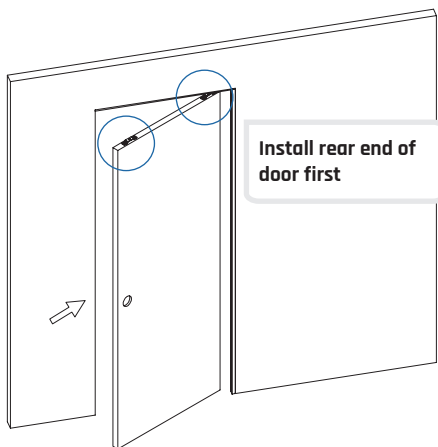
Screw in front doorstop using supplied screws and pre drilled holes



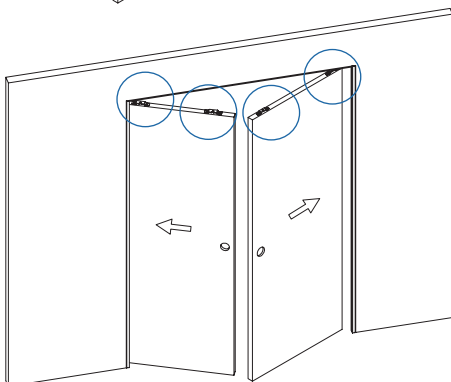
If you wish to adjust the door to protrude from the pocket when fully open, you need to add a distance piece between the rear of the door and the rubber bumper. We recommend this when using flush pulls to eliminate the risk of trapped fingers.



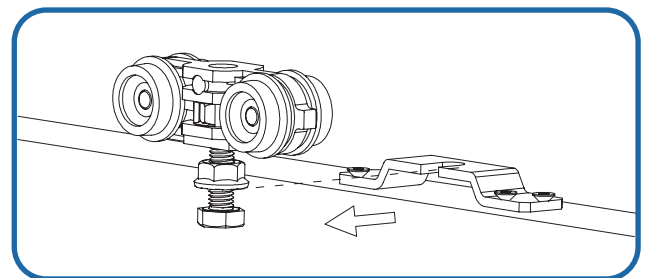
## INSTALLING DOOR PANEL



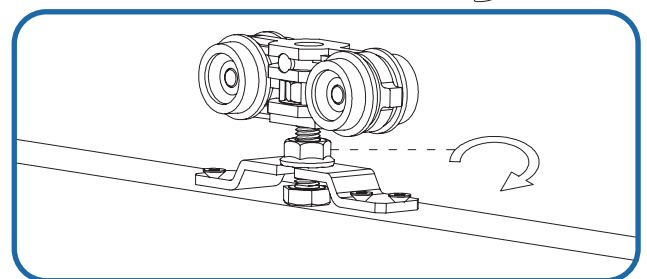
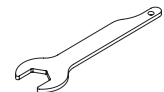
Install rear end of door first



Adjust door height to be 7 mm above the floor and lock into position with by tightening lock nut

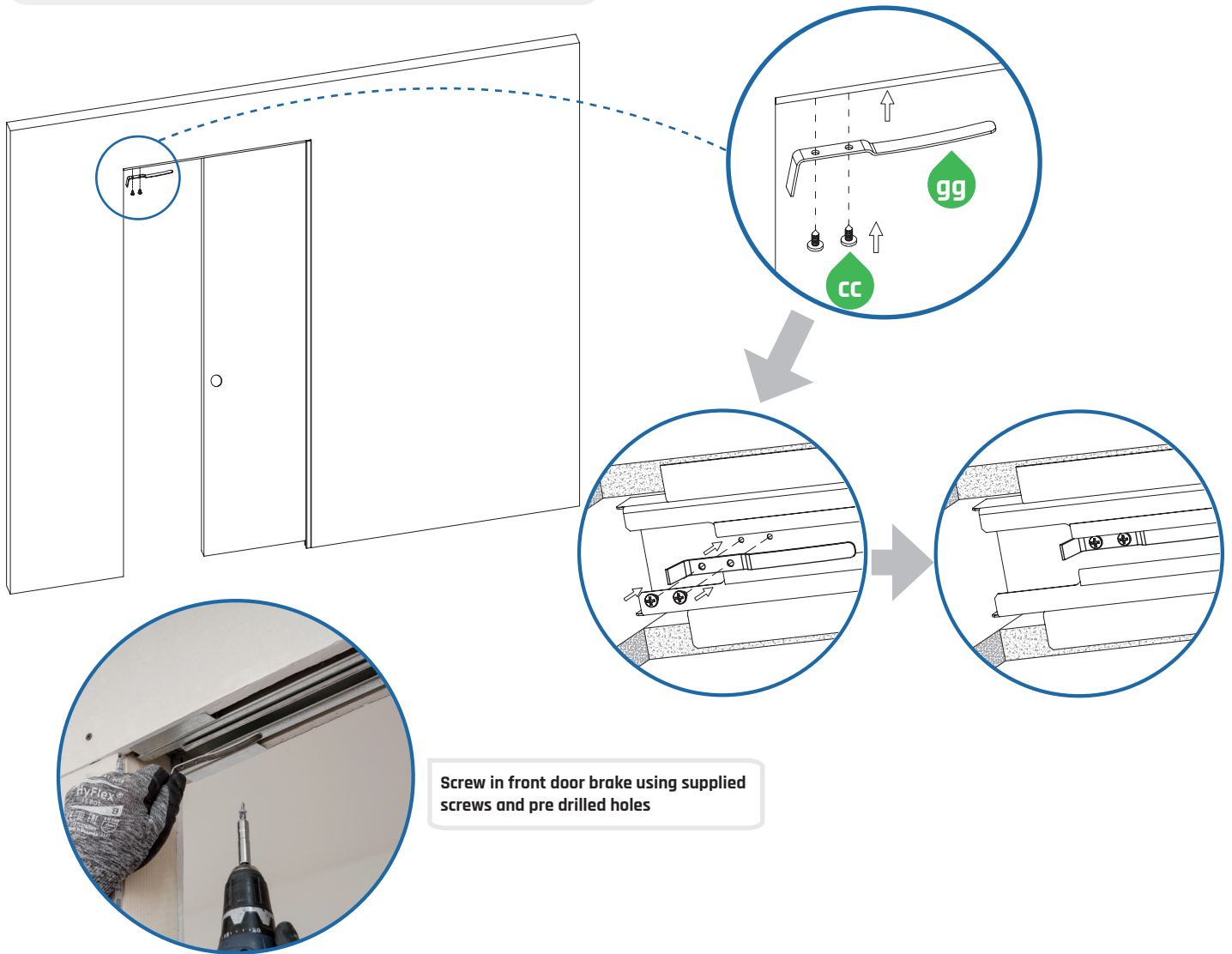


ii

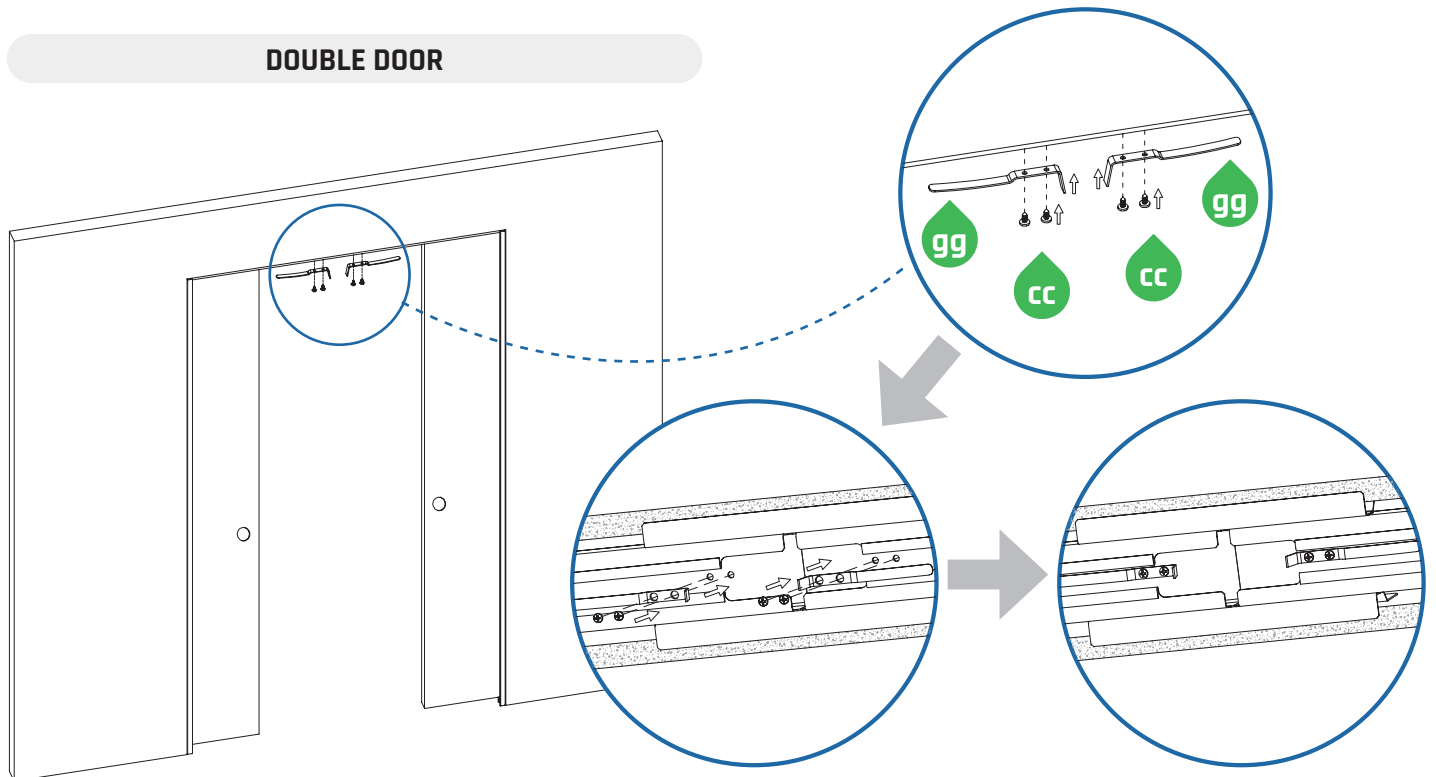


# INSTALLING DOOR BRAKE

## SINGLE DOOR



## DOUBLE DOOR





**WANT TO SEE  
HOW IT'S DONE?**



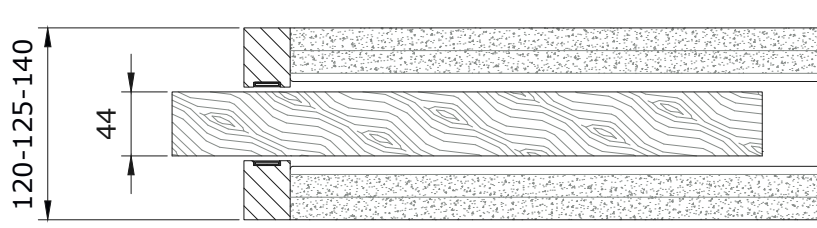
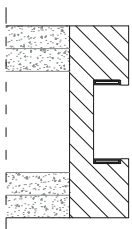
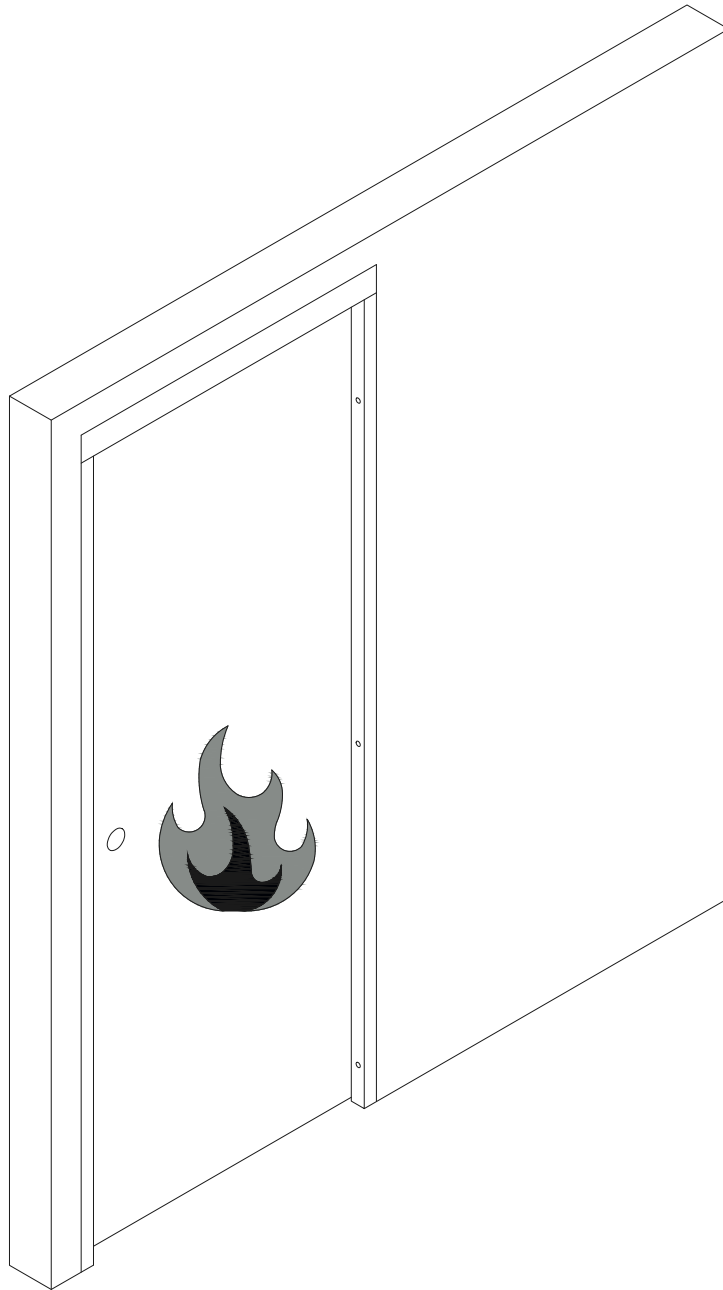
**GO TO [WWW.ROCKETDOORFRAMES.CO.UK](http://WWW.ROCKETDOORFRAMES.CO.UK)  
TO SEE AN INSTALLATION VIDEO**

**NEED HELP? GIVE US A CALL 03309980617**

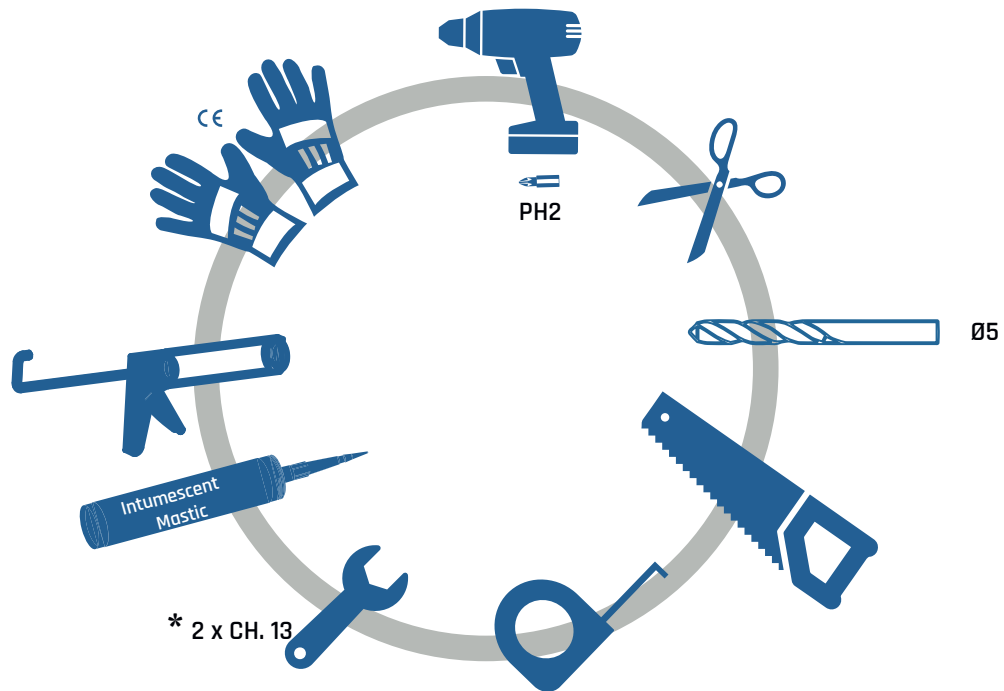




## FIRE JAMBS INSTRUCTIONS

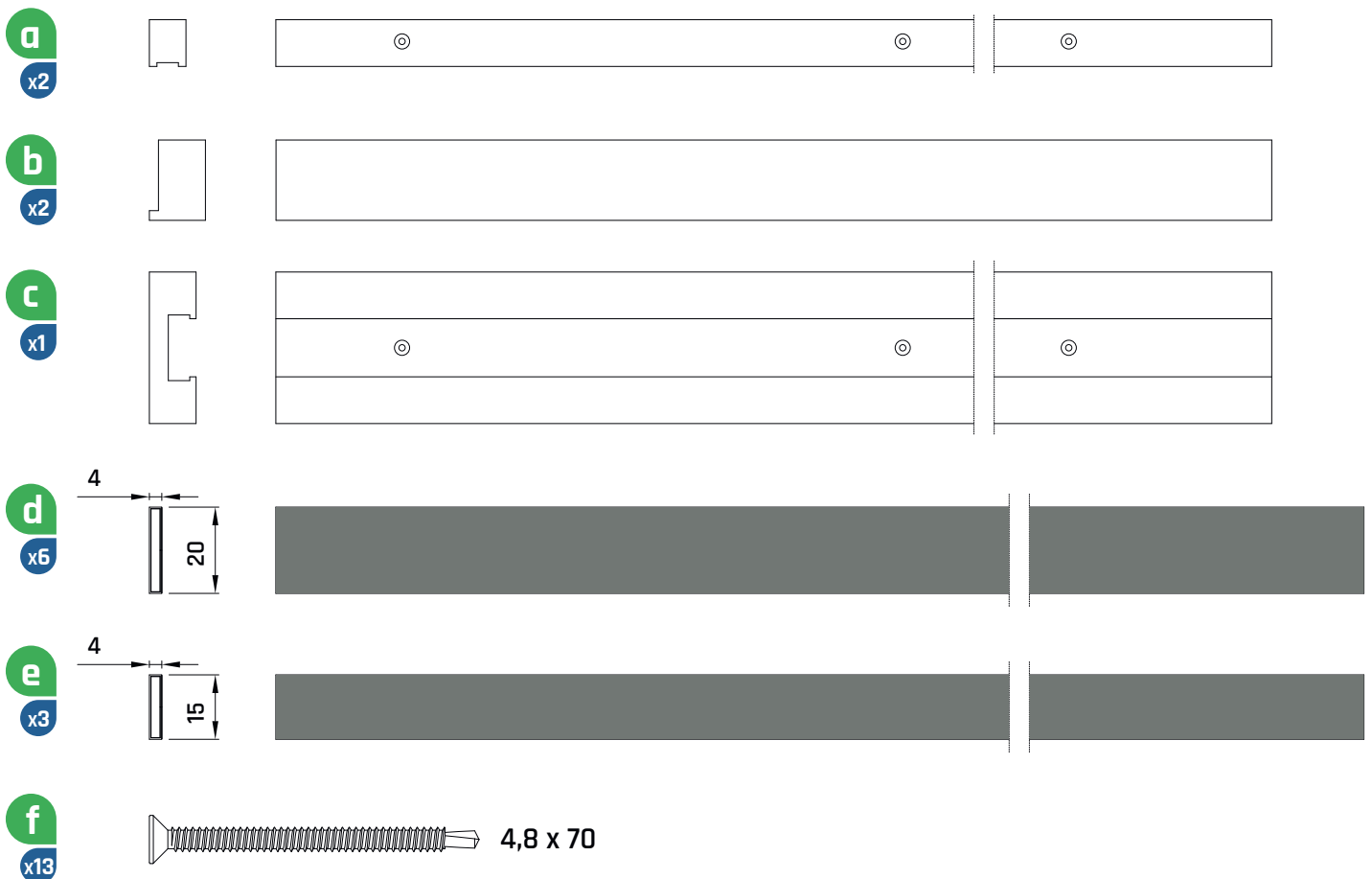


## TOOLS REQUIRED

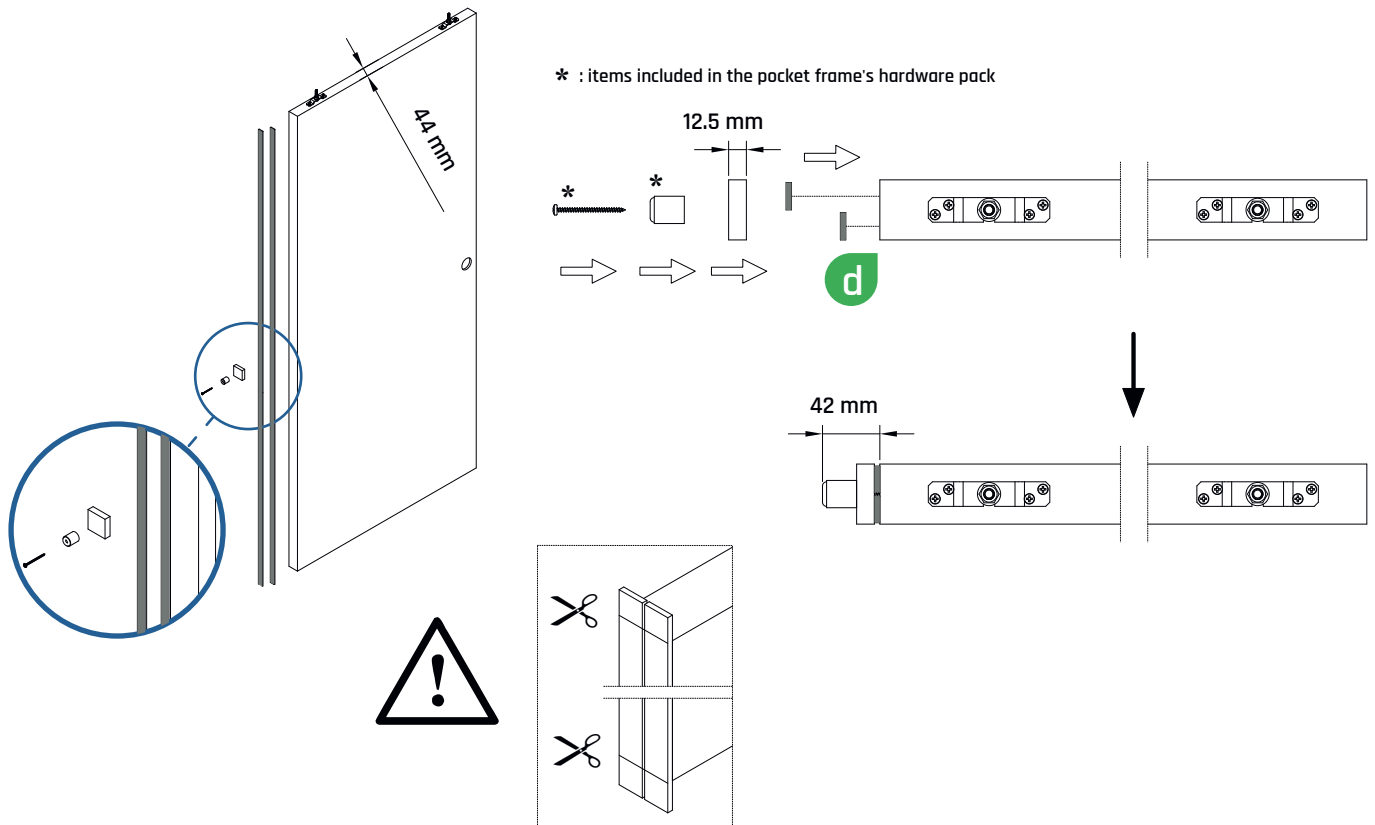


\* : items included in the pocket frame's hardware pack

## COMPONENTS

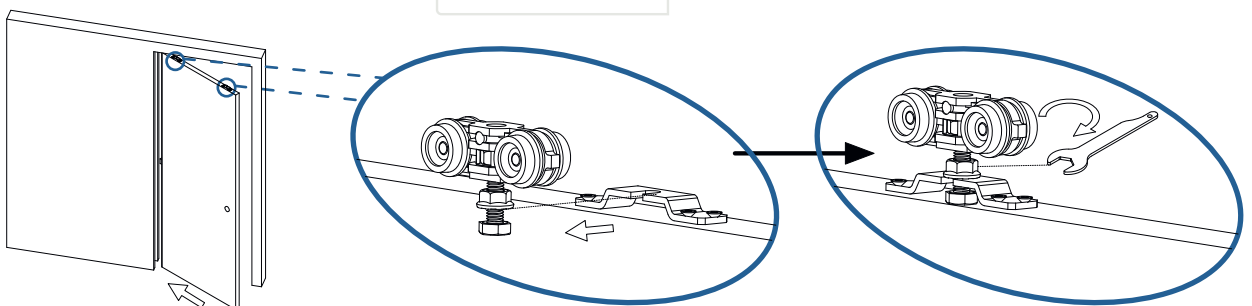


Attach intumescents (d), a 12,5 mm section of plasterboard and the bumper to the back of the door

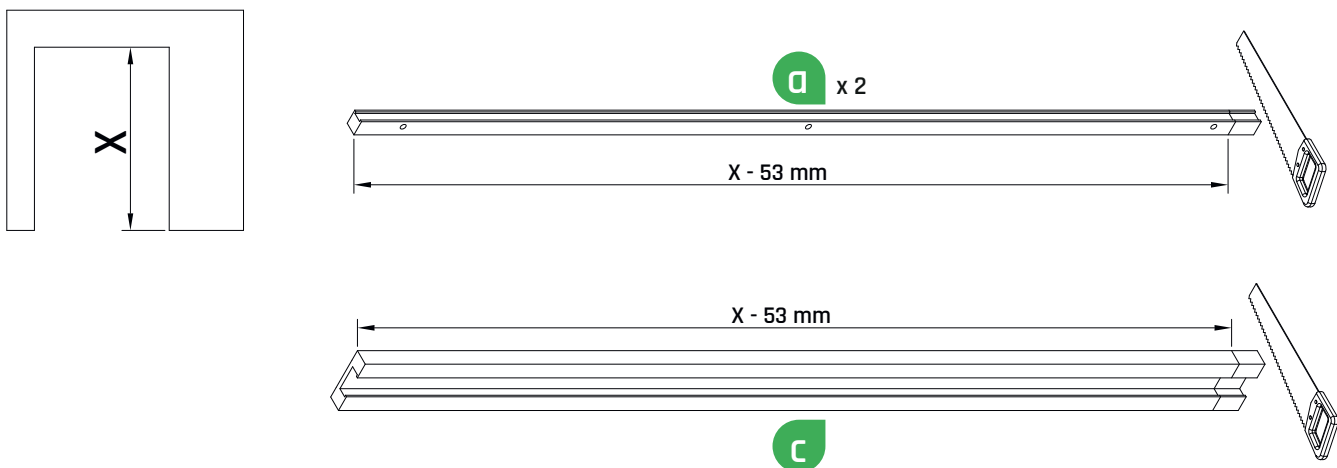


Attention: if purchased, install the Soft Close and Self Closing before installing the door.

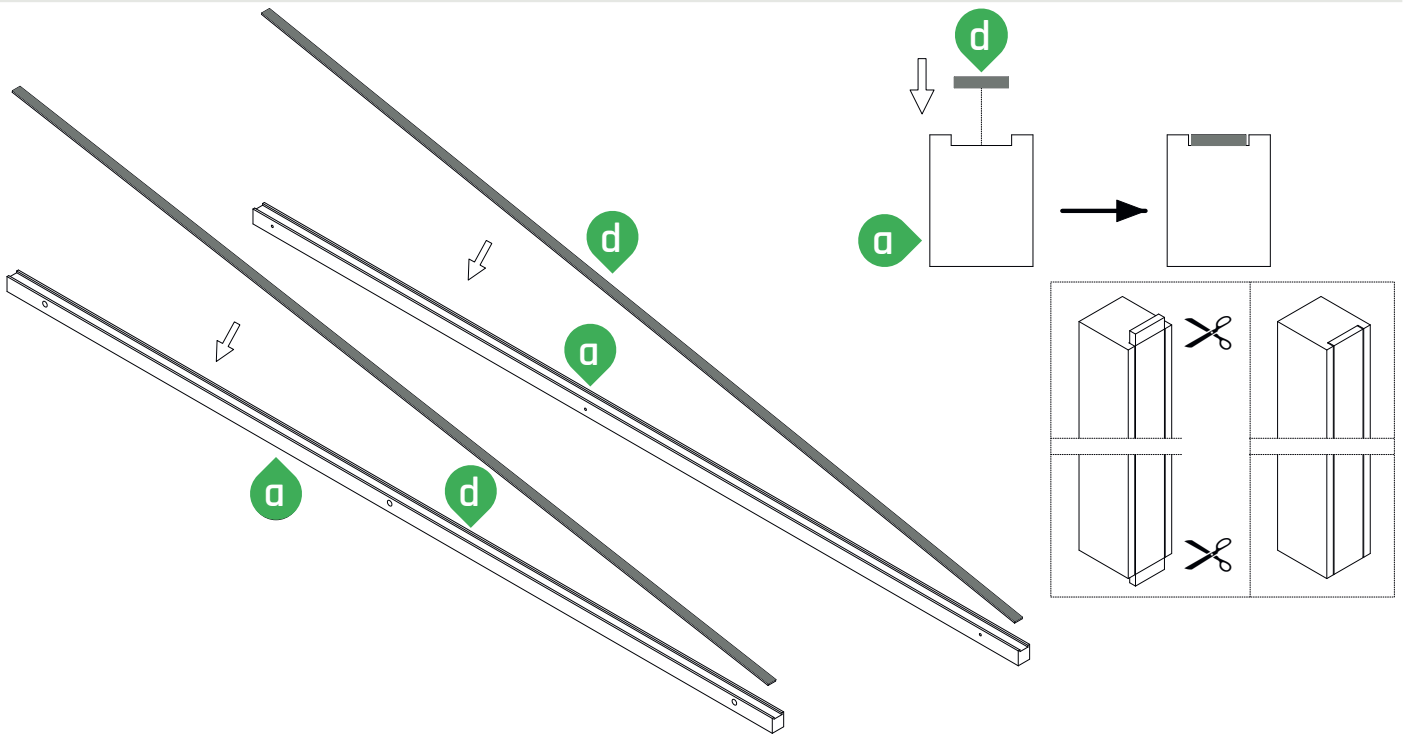
Insert the door



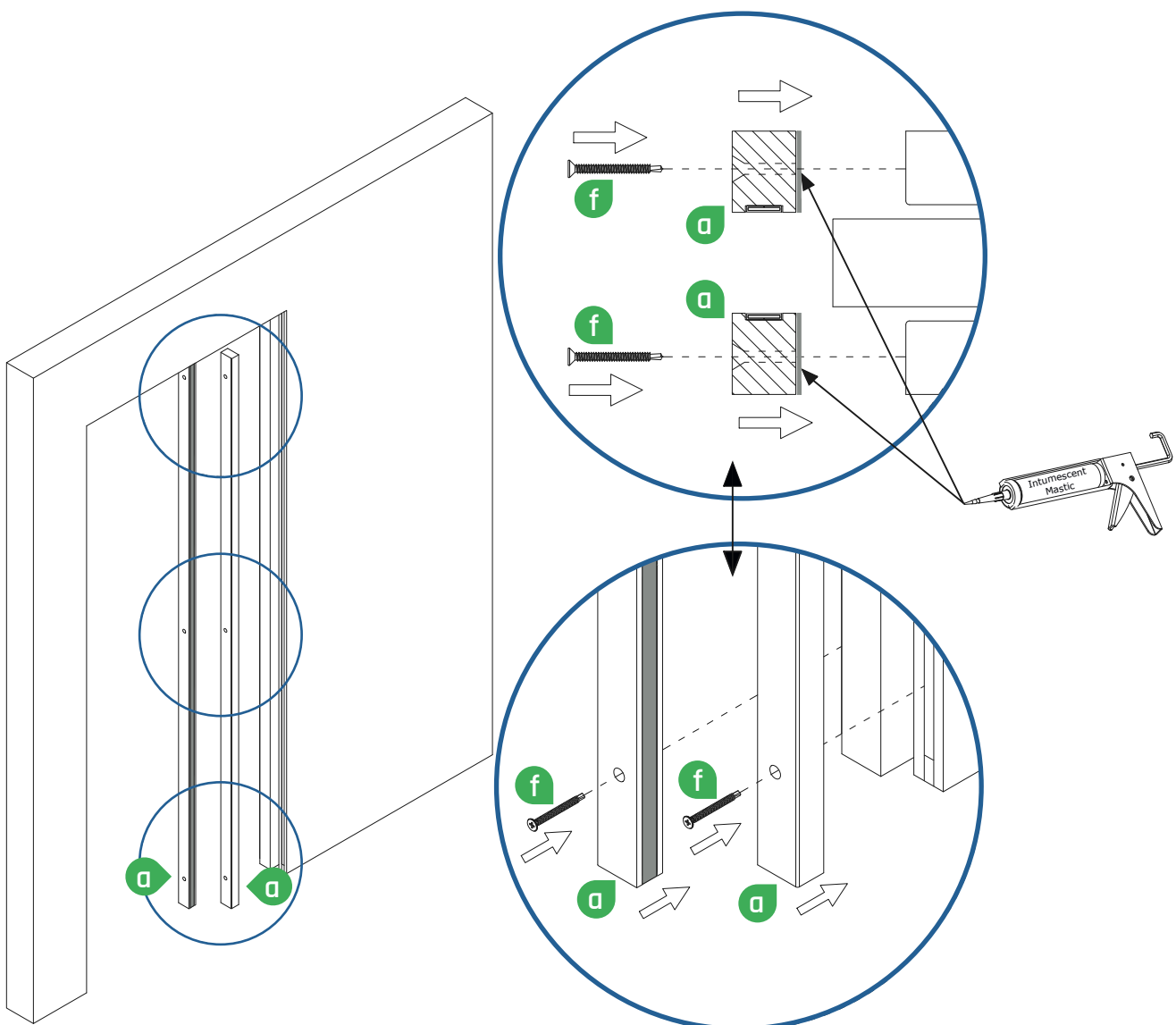
Cut the jambs' verticals as per drawing



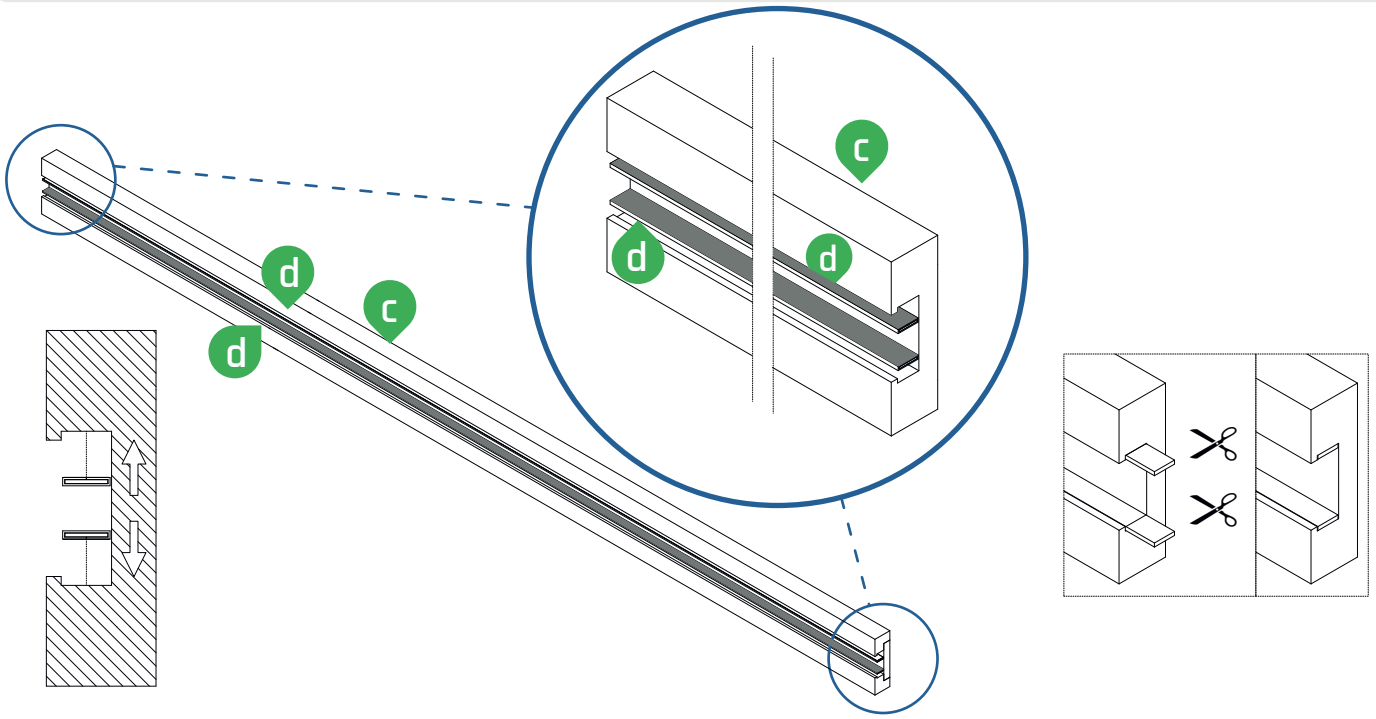
Install the intumescent strips (d) on the verticals and cut the exceeding part



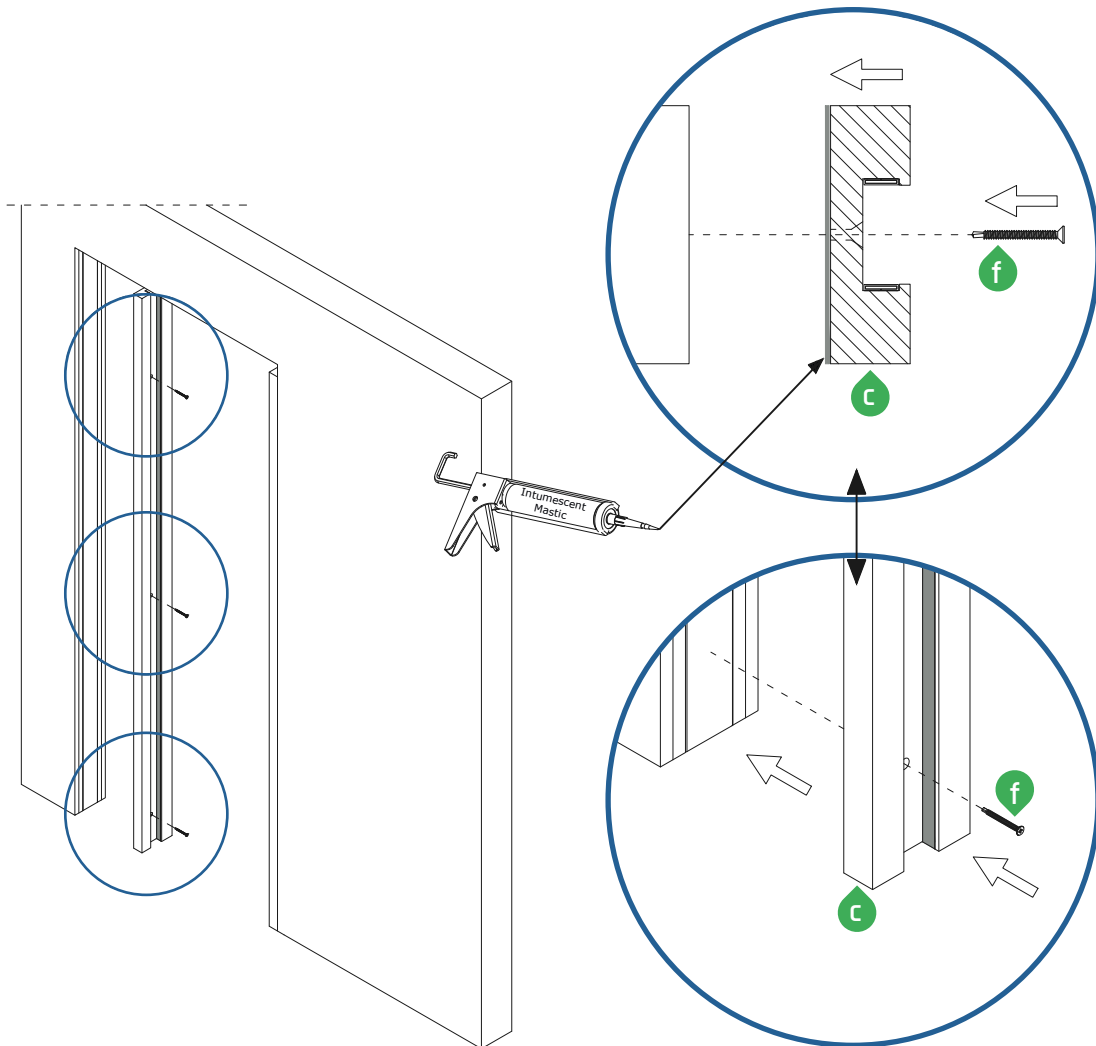
Attach the vertical jamba (a) to the pocket entrance opening



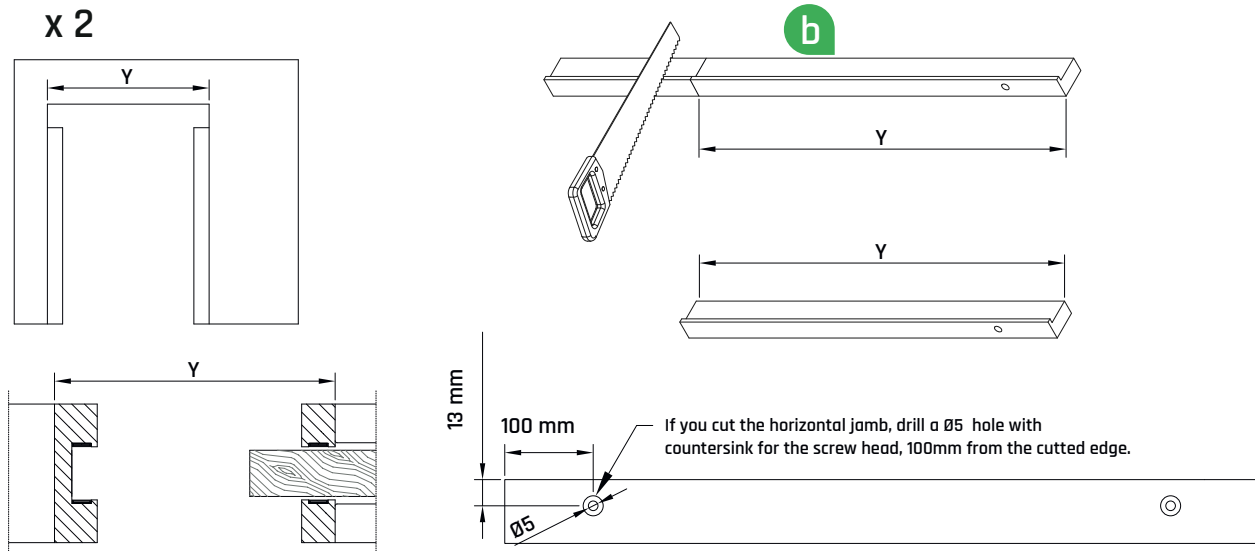
Apply the intumescent strips (d) on the door post and cut the exceeding parts



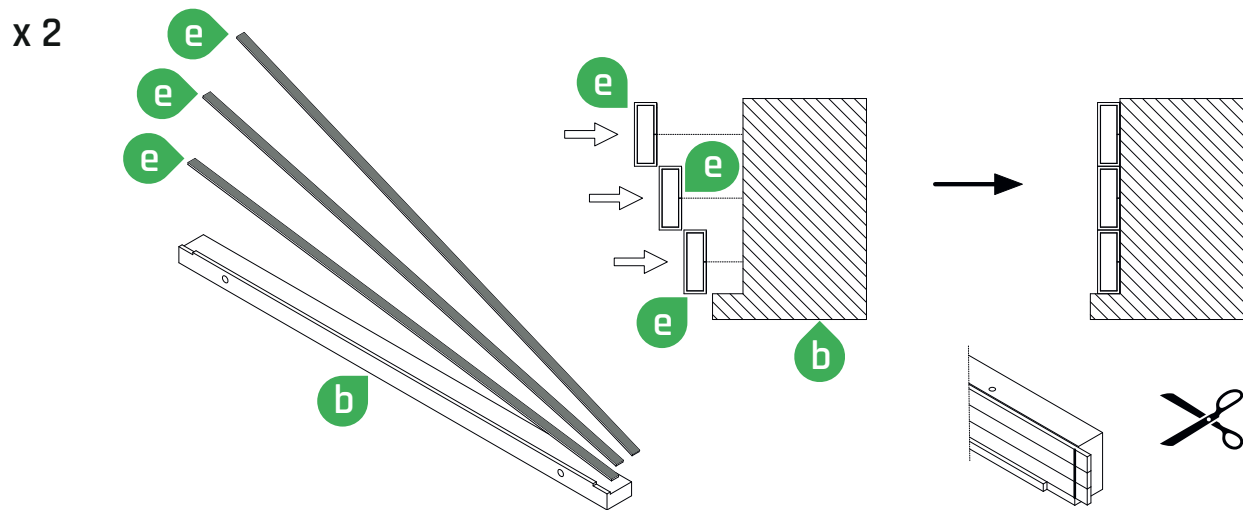
Attach the door post



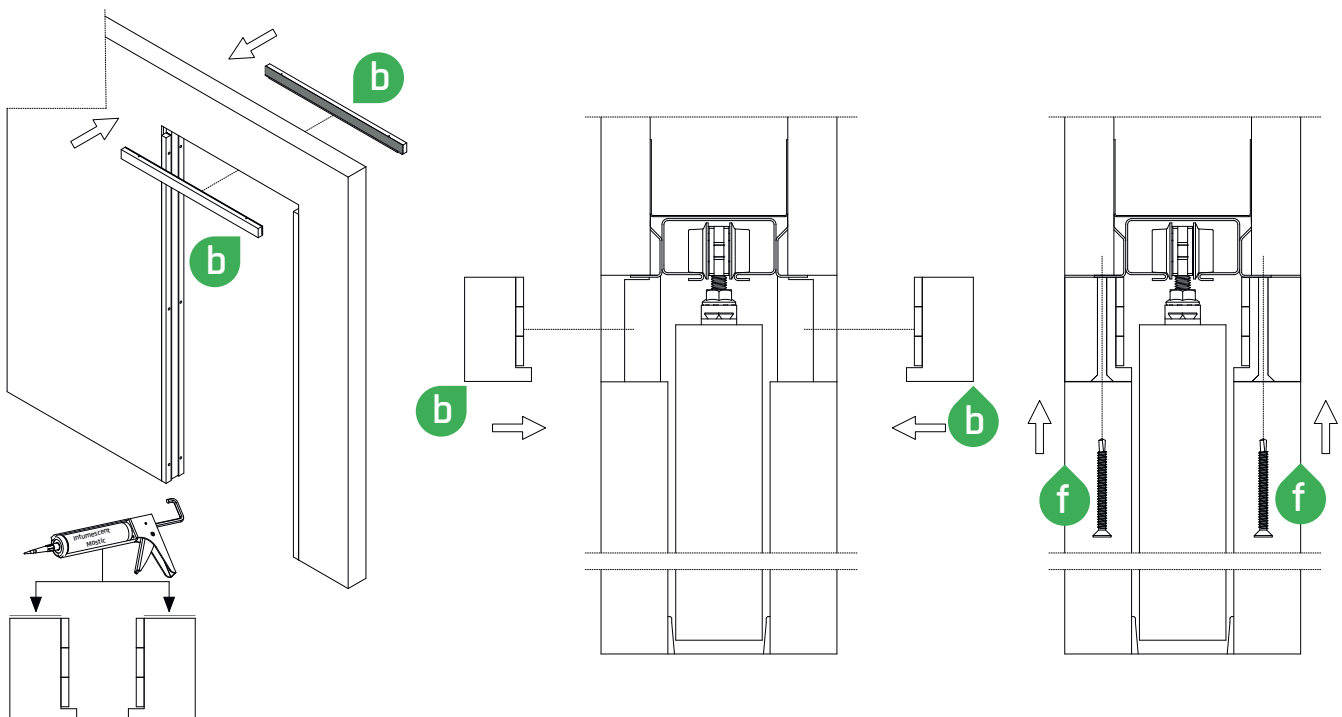
Cut the horizontal jamb to size



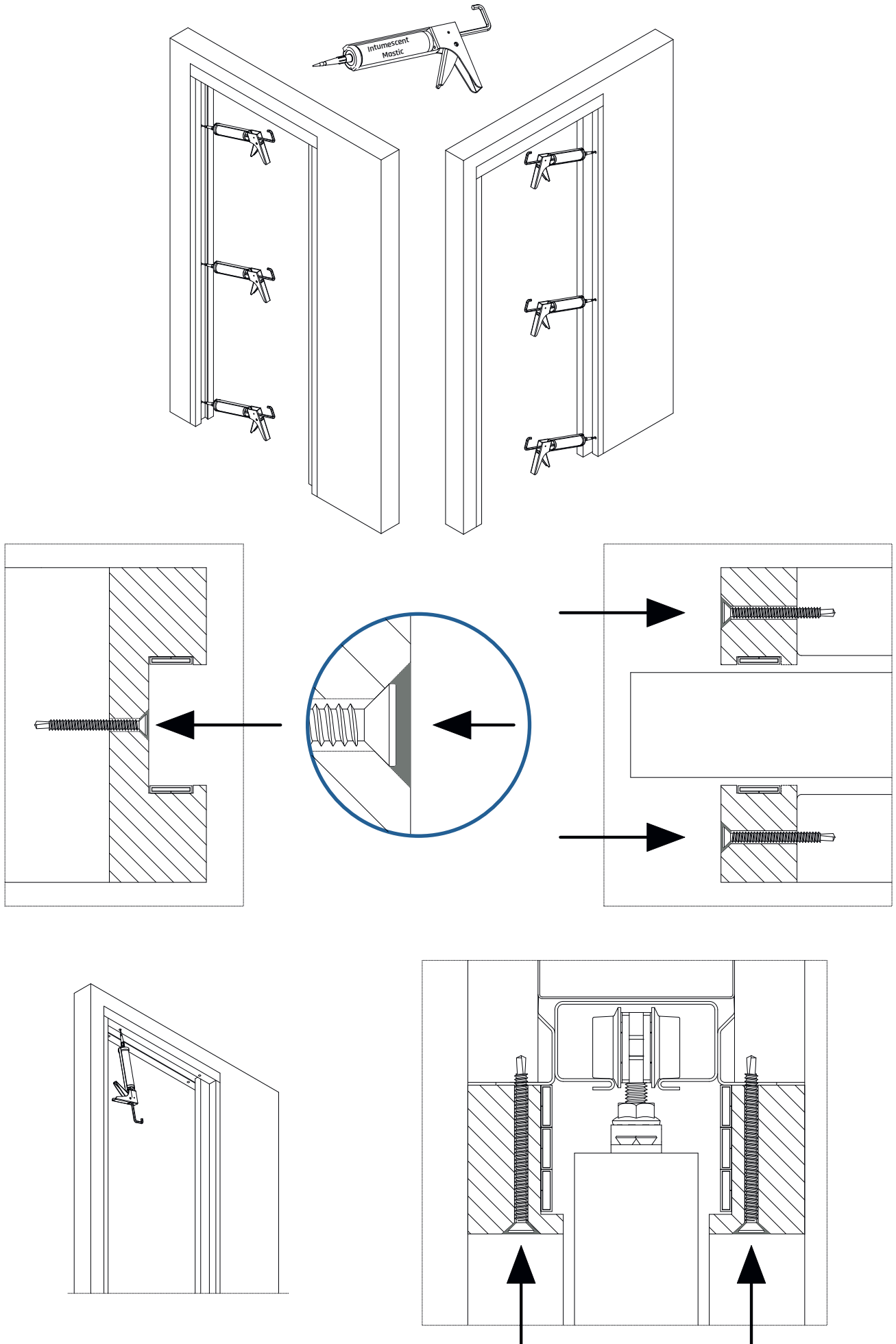
Apply the intumescent strips (e) and cut the exceeding part



Fix the horizontal jamb



Fill the screws holes with intumescent mastic/sealant





Rocket Door Frames - Unit 14 Priest Court - Springfield Ind Est - Grantham NG31 7FZ  
T: 03309980617 - [info@rocketdoorframes.co.uk](mailto:info@rocketdoorframes.co.uk) - [www.rocketdoorframes.co.uk](http://www.rocketdoorframes.co.uk)

NEED HELP? GIVE US A CALL 03309980617