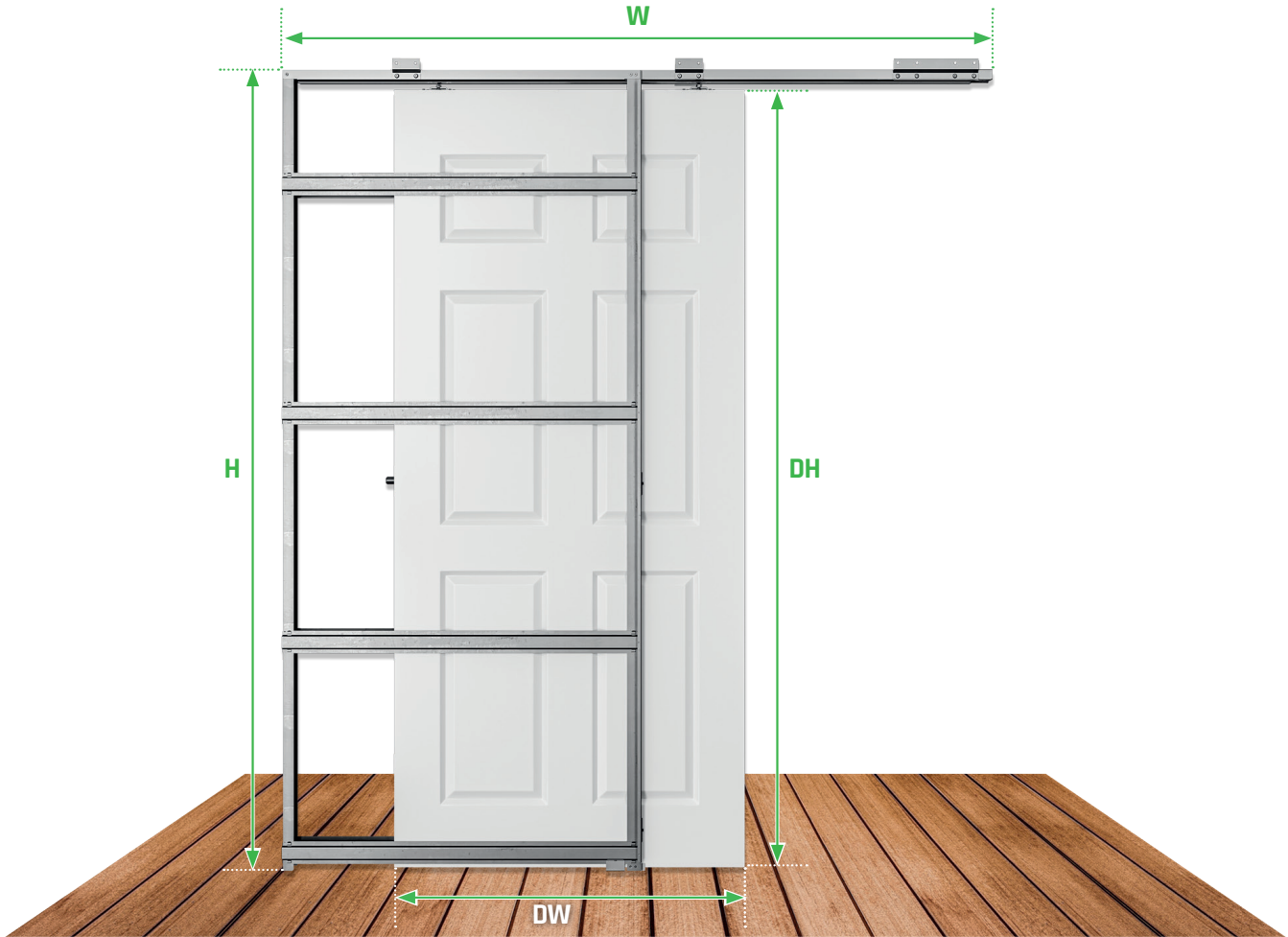




Rocket Door Frames



H measurement from finished floor level

DOOR PANEL		FRAME WIDTH	OVERALL DIMENSIONS			
DW	DH		SINGLE DOOR		DOUBLE DOOR	
			W	H	W	H
610	1981	90	1233	2042	2466	2042
686	1981		1385	2042	2770	2042
711	1981		1434	2042	2868	2042
762	1981		1537	2042	3074	2042
838	1981		1689	2042	3378	2042
914	1981		1841	2042	3682	2042
813	2032		1638	2093	3276	2093
864	2032		1740	2093	3480	2093
626	2040		1264	2101	2528	2101
726	2040		1464	2101	2928	2101
826	2040		1664	2101	3328	2101
926	2040		1864	2101	3728	2101

Door Thickness: 35 - 44 mm

- Install at finished floor level.
- To obtain a sliding pocket door with two leaves it's necessary to join n°2 single door kits.
- See page 4 for stud dimensions

 **CAUTION**

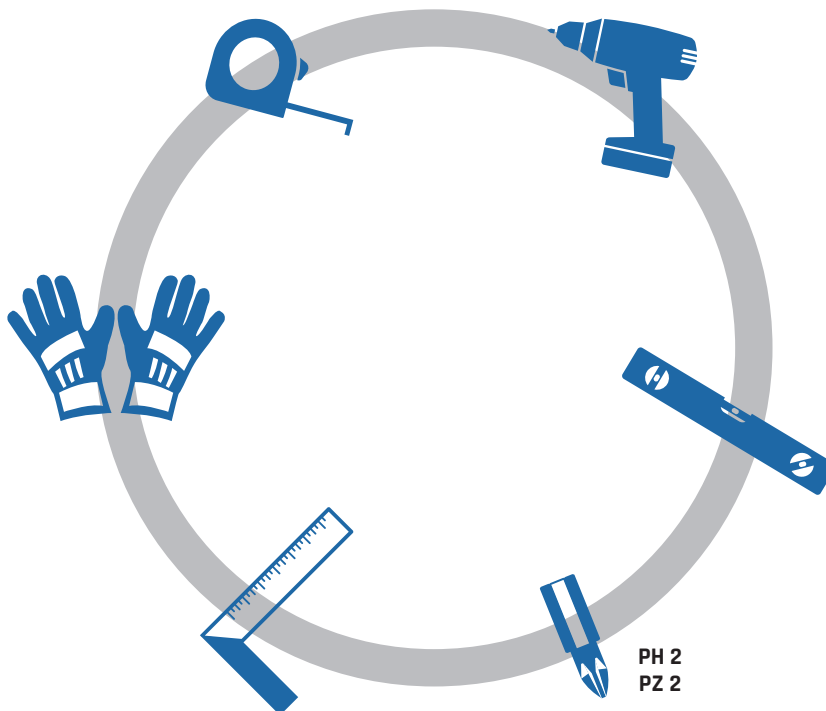
Please follow the instructions carefully as they have been designed to help you, don't skip any pages or stages as you may cause yourself problems. Use the correct tools and relevant protective clothing/eyewear, gloves are essential as there may be some sharp edges. A pair of trestles would be useful for the assembly.

**WANT TO SEE
HOW IT'S DONE?**



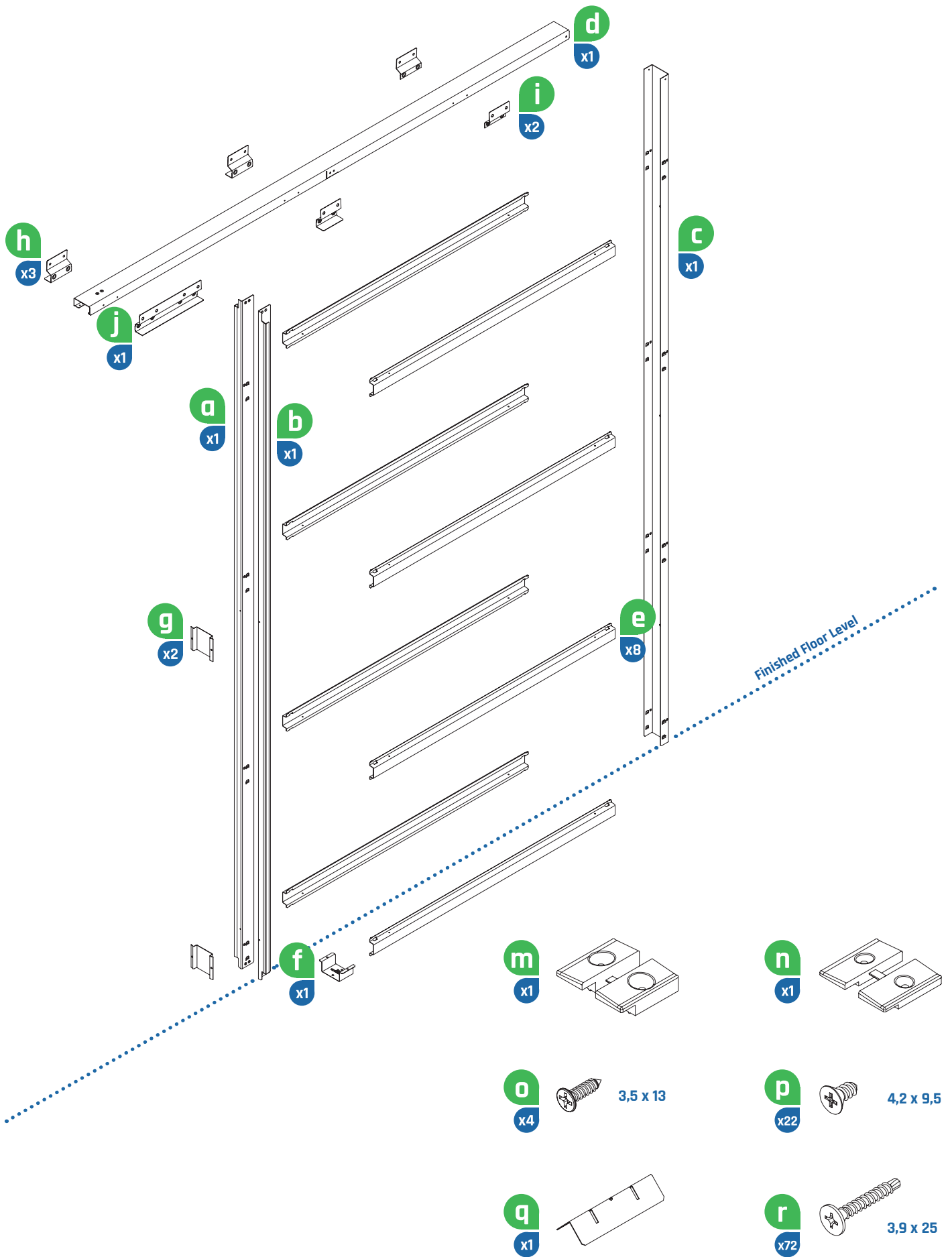
**GO TO WWW.ROCKETDOORFRAMES.CO.UK
TO SEE THE INSTALLATION VIDEO**

TOOLS REQUIRED



CONTENTS

EACH KIT CONTAINS:



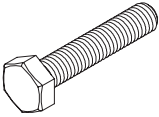
CONTENTS

EACH KIT CONTAINS:

aa
x2



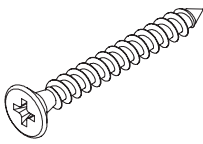
bb
x2



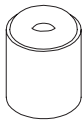
cc
x2



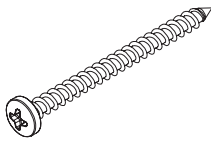
dd
x8



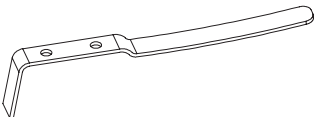
ee
x1



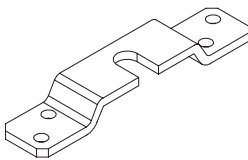
ff
x1



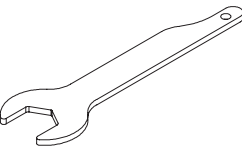
gg
x1



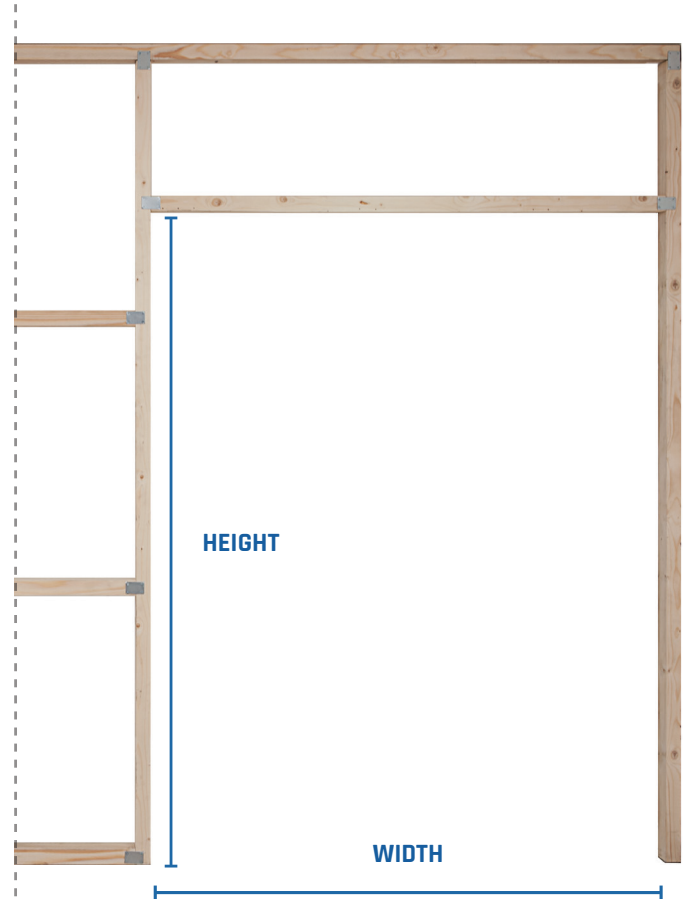
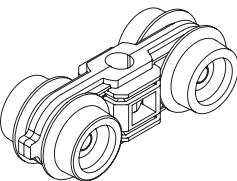
hh
x2



ii
x2



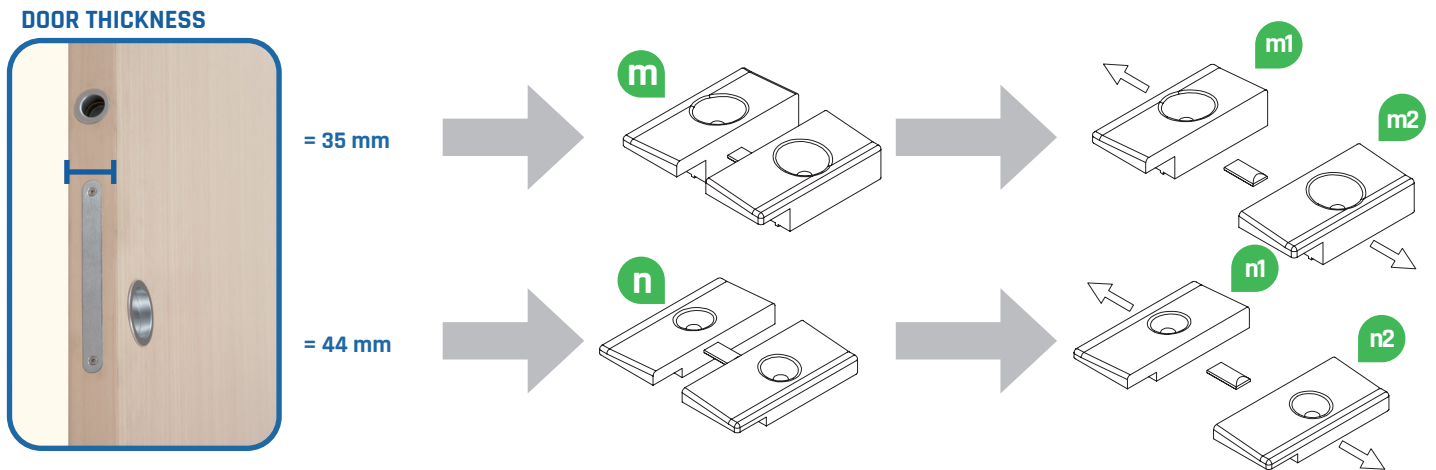
ll
x2



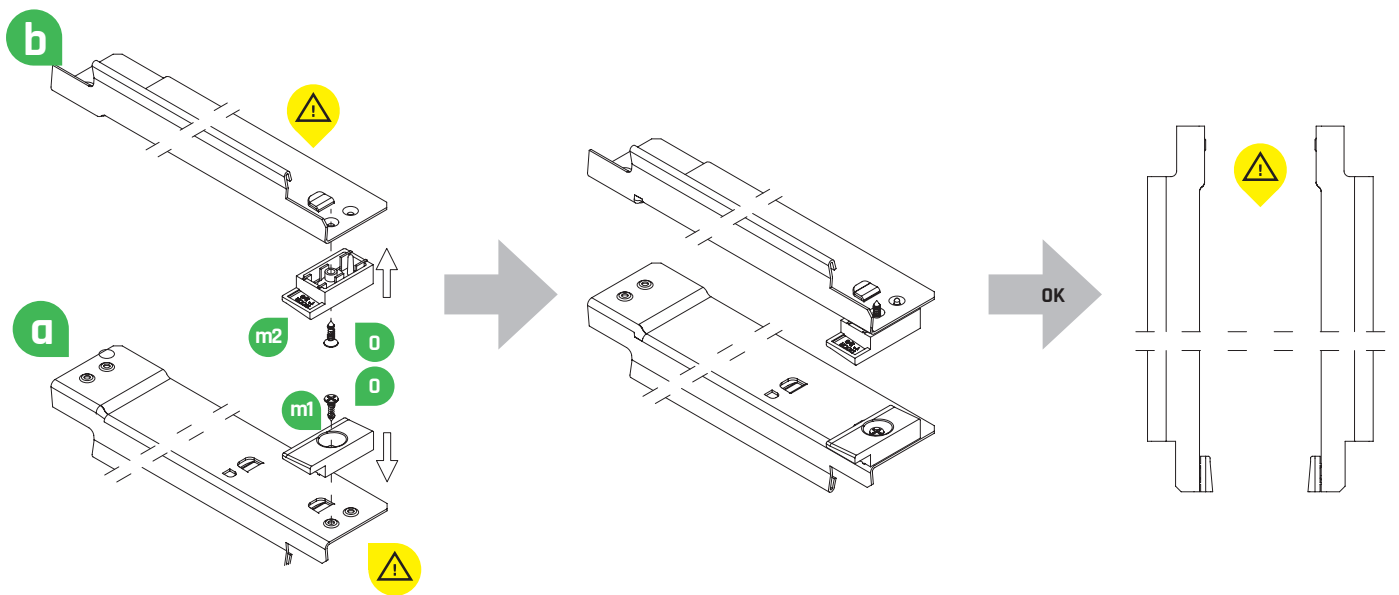
DOOR PANEL		OVERALL DIMENSIONS			
		SINGLE DOOR		DOUBLE DOOR	
DW	DH	W	H	W	H
610	1981	1233	2042	2466	2042
686	1981	1385	2042	2770	2042
711	1981	1434	2042	2868	2042
762	1981	1537	2042	3074	2042
838	1981	1689	2042	3378	2042
914	1981	1841	2042	3682	2042
813	2032	1638	2093	3276	2093
864	2032	1740	2093	3480	2093
626	2040	1264	2101	2528	2101
726	2040	1464	2101	2928	2101
826	2040	1664	2101	3328	2101
926	2040	1864	2101	3728	2101

Door Thickness: 35 - 44 mm

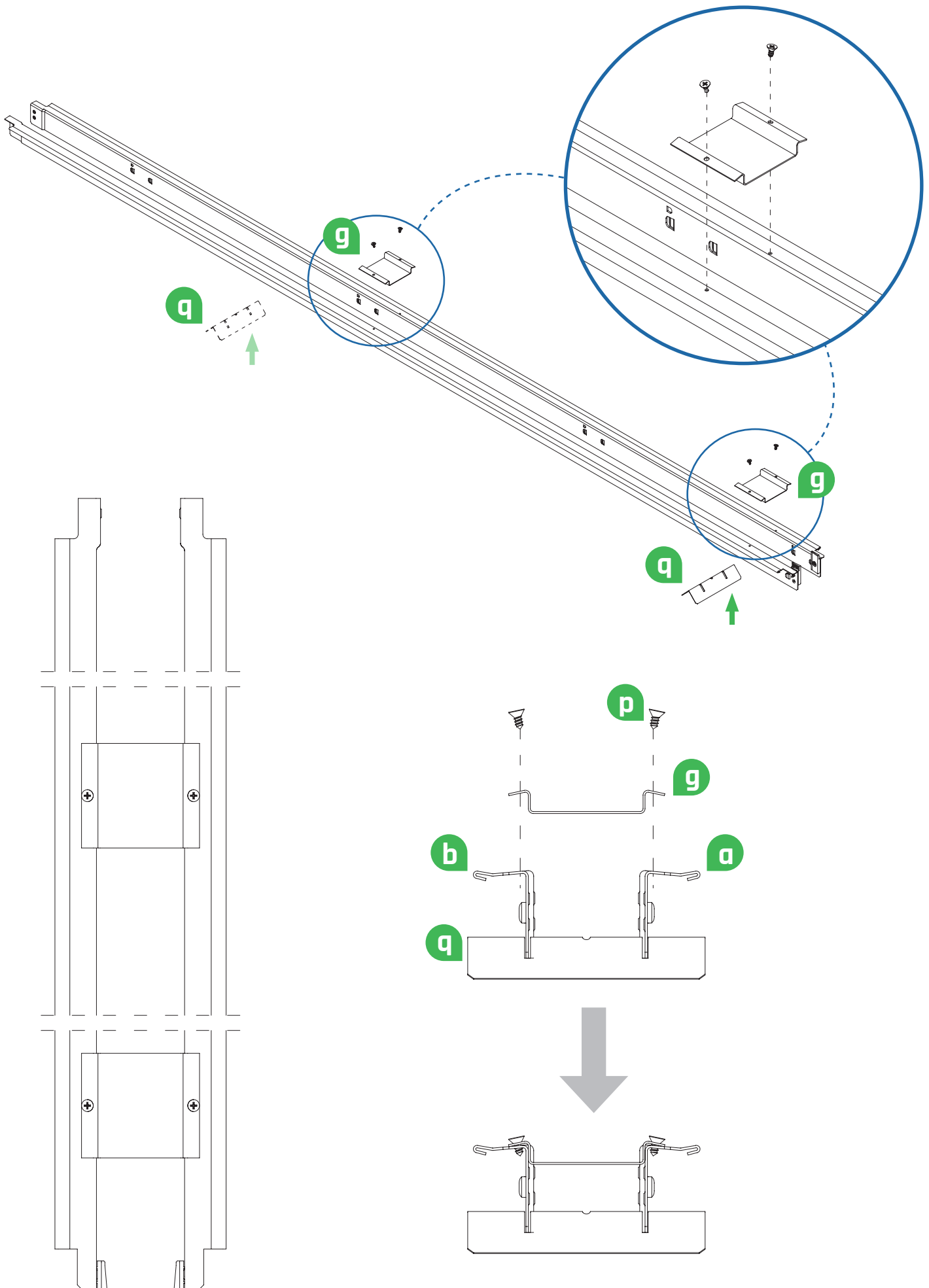
CHOOSING THE DOOR GUIDE FOR WOODEN DOORS ONLY

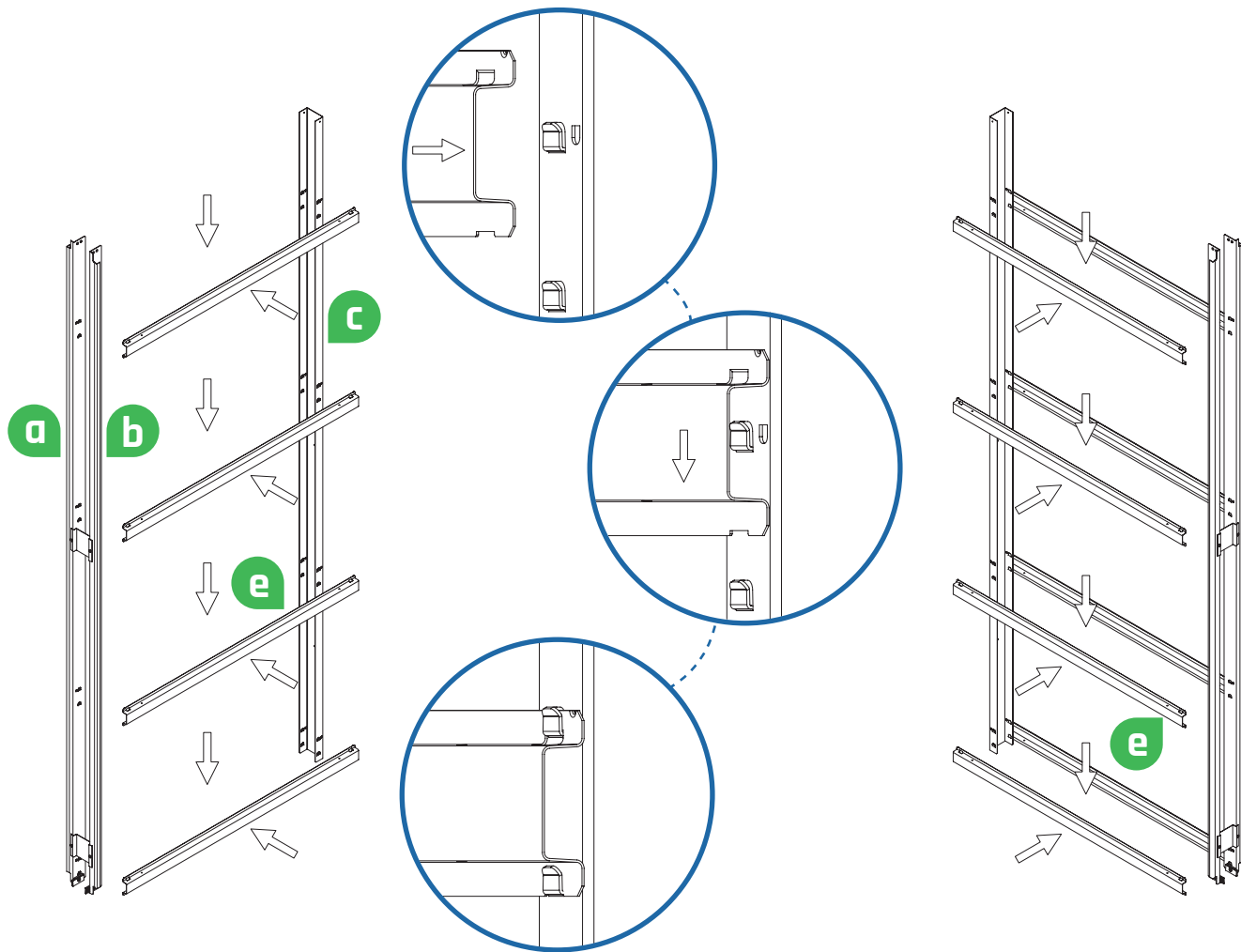


FOR EXAMPLE 35 mm THICK DOOR

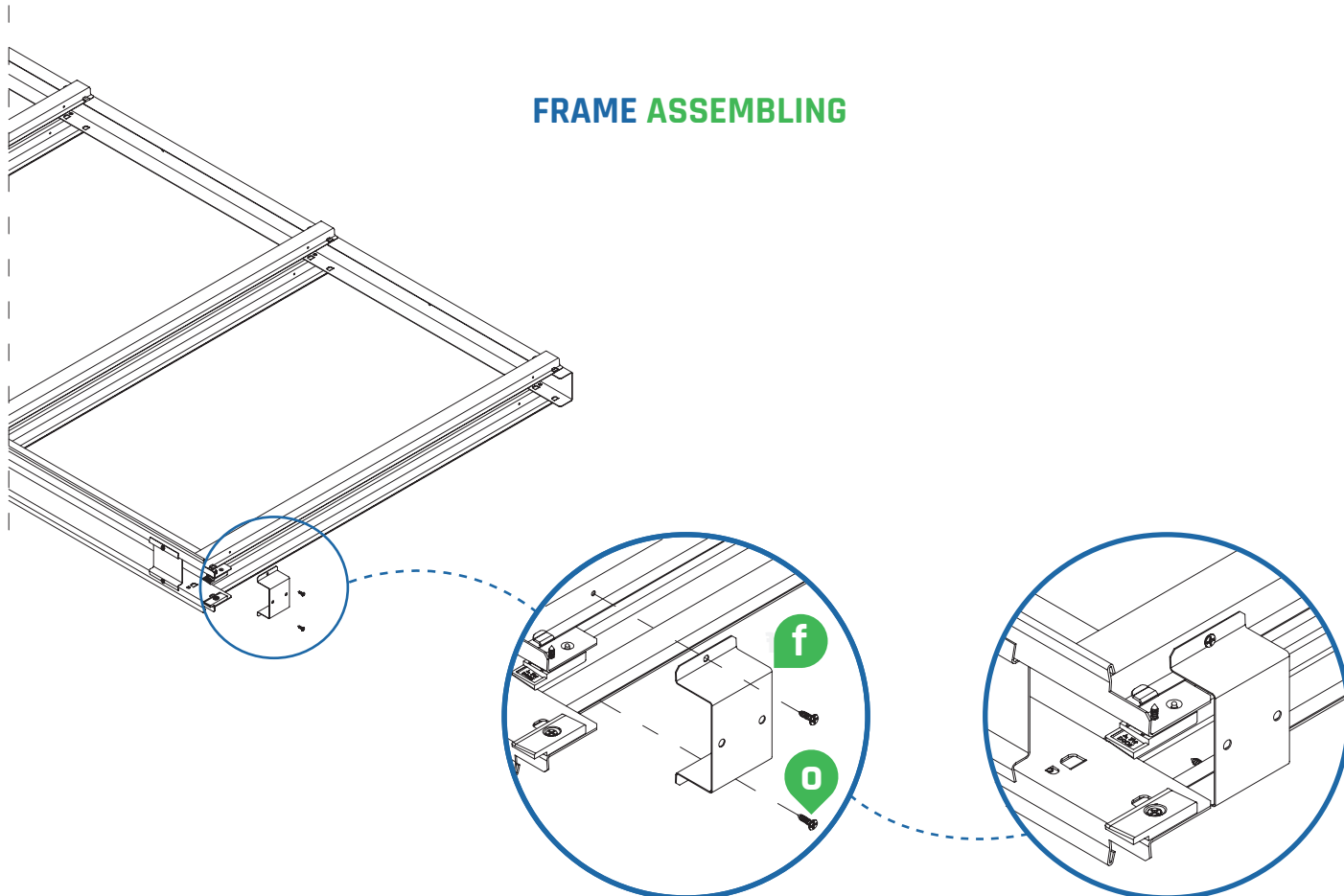


ATTACHING THE BRACKETS



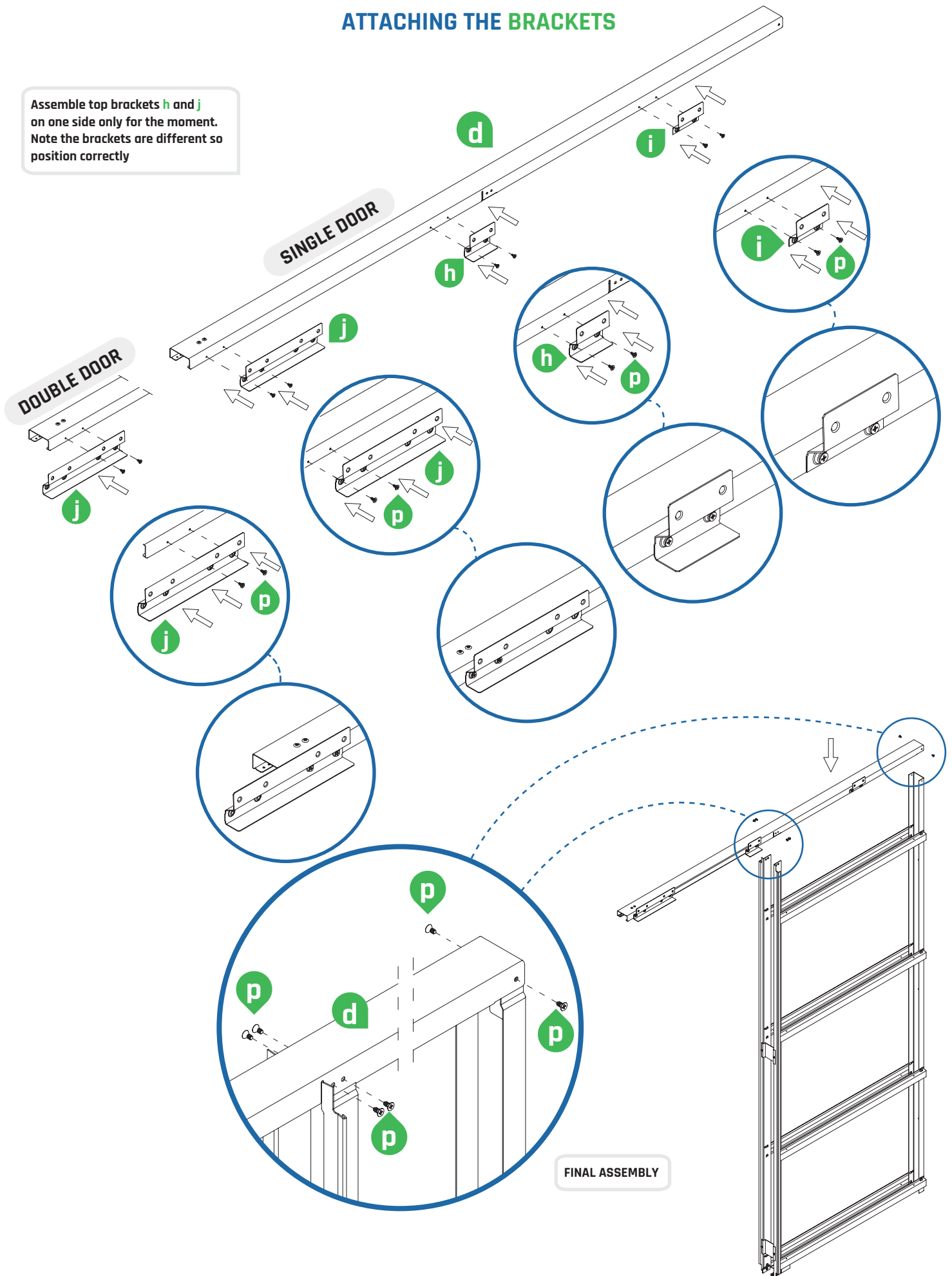


FRAME ASSEMBLING

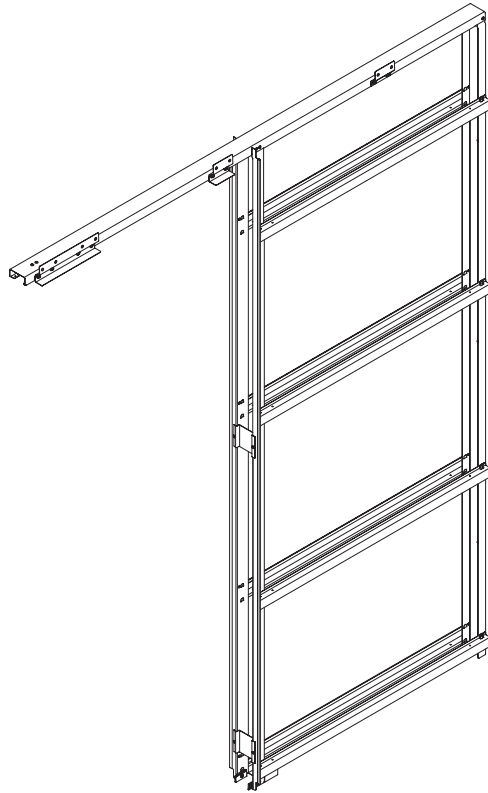


ATTACHING THE BRACKETS

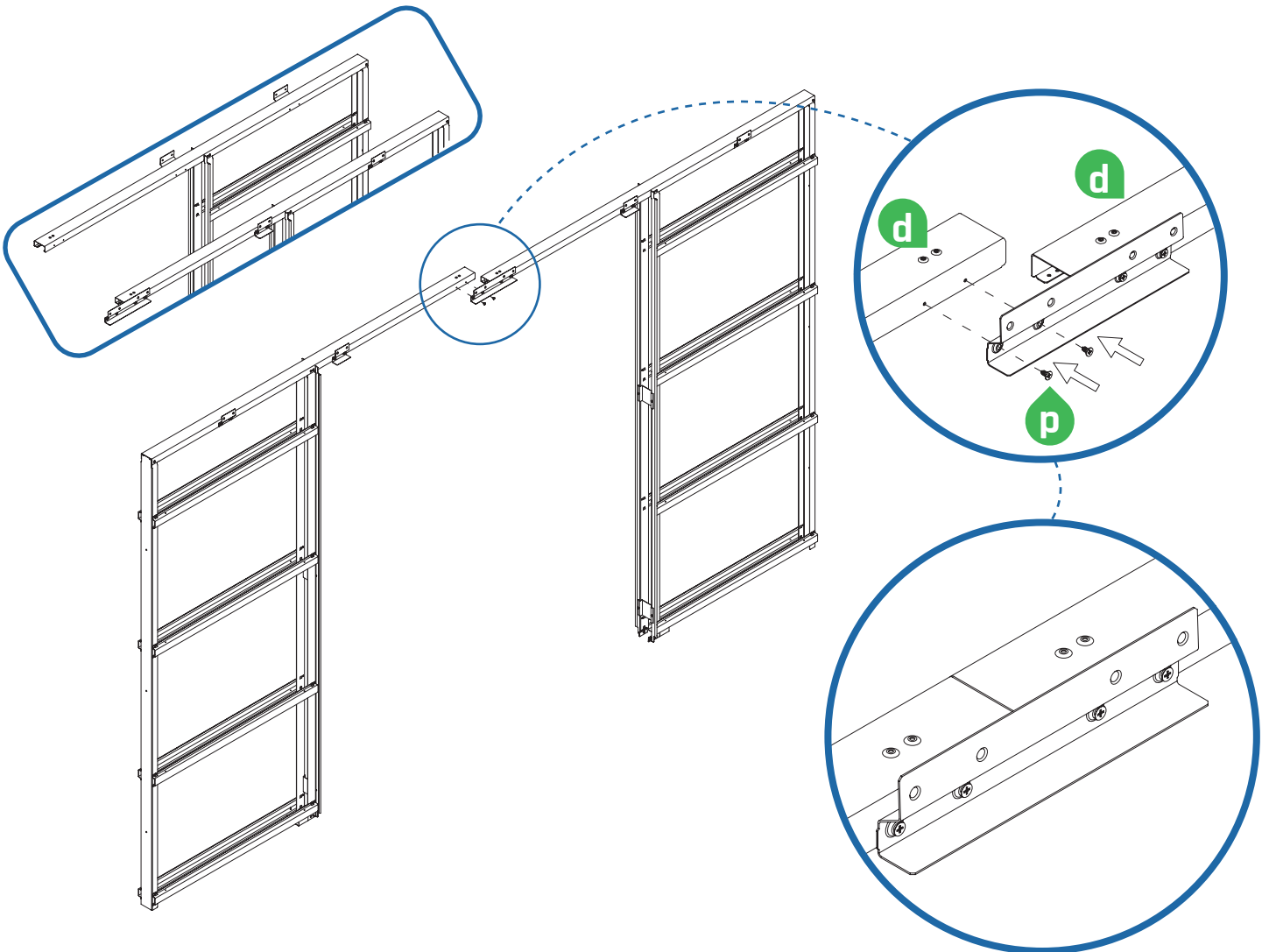
Assemble top brackets **h** and **j** on one side only for the moment. Note the brackets are different so position correctly



SINGLE DOOR

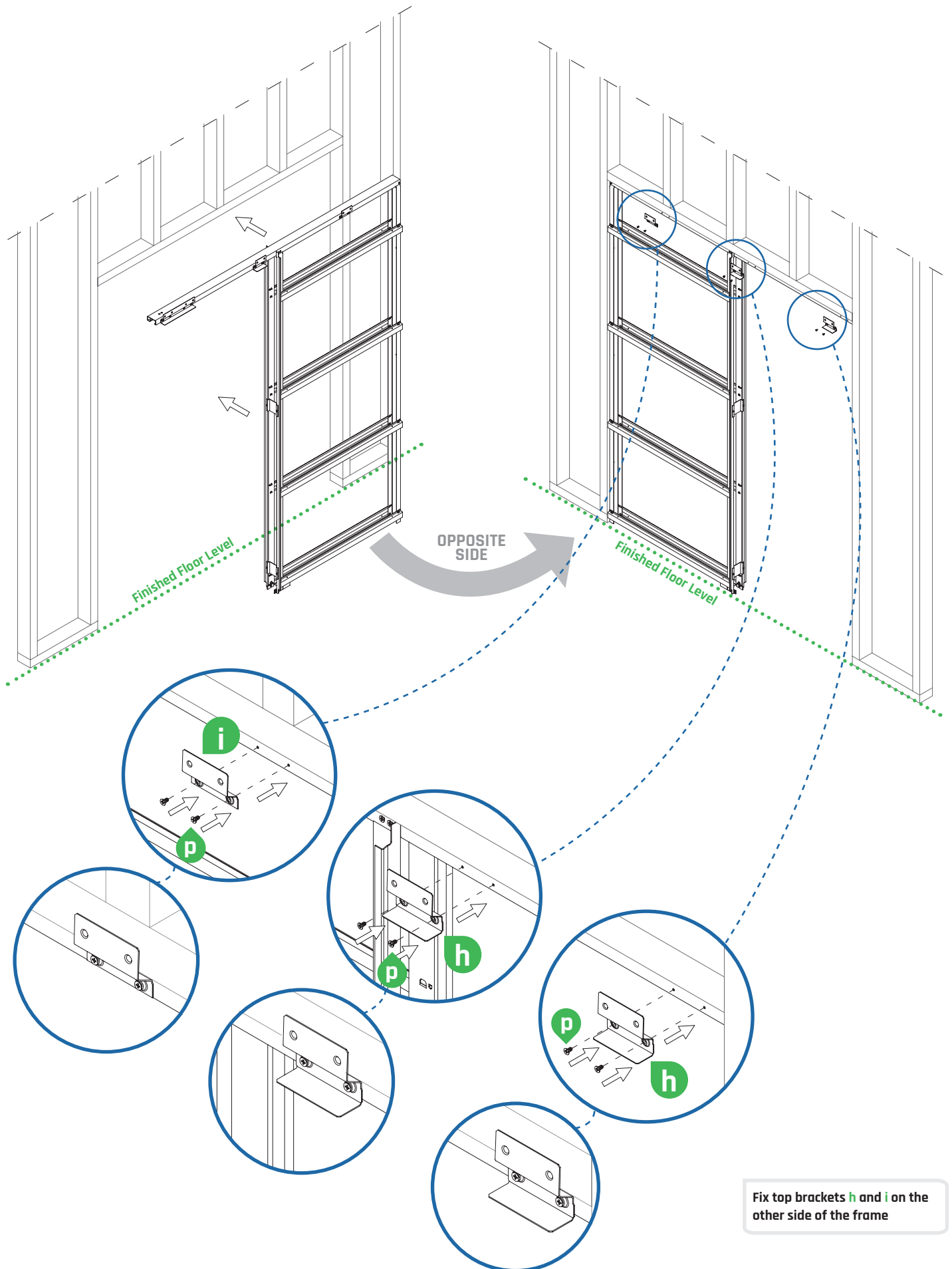


DOUBLE DOOR



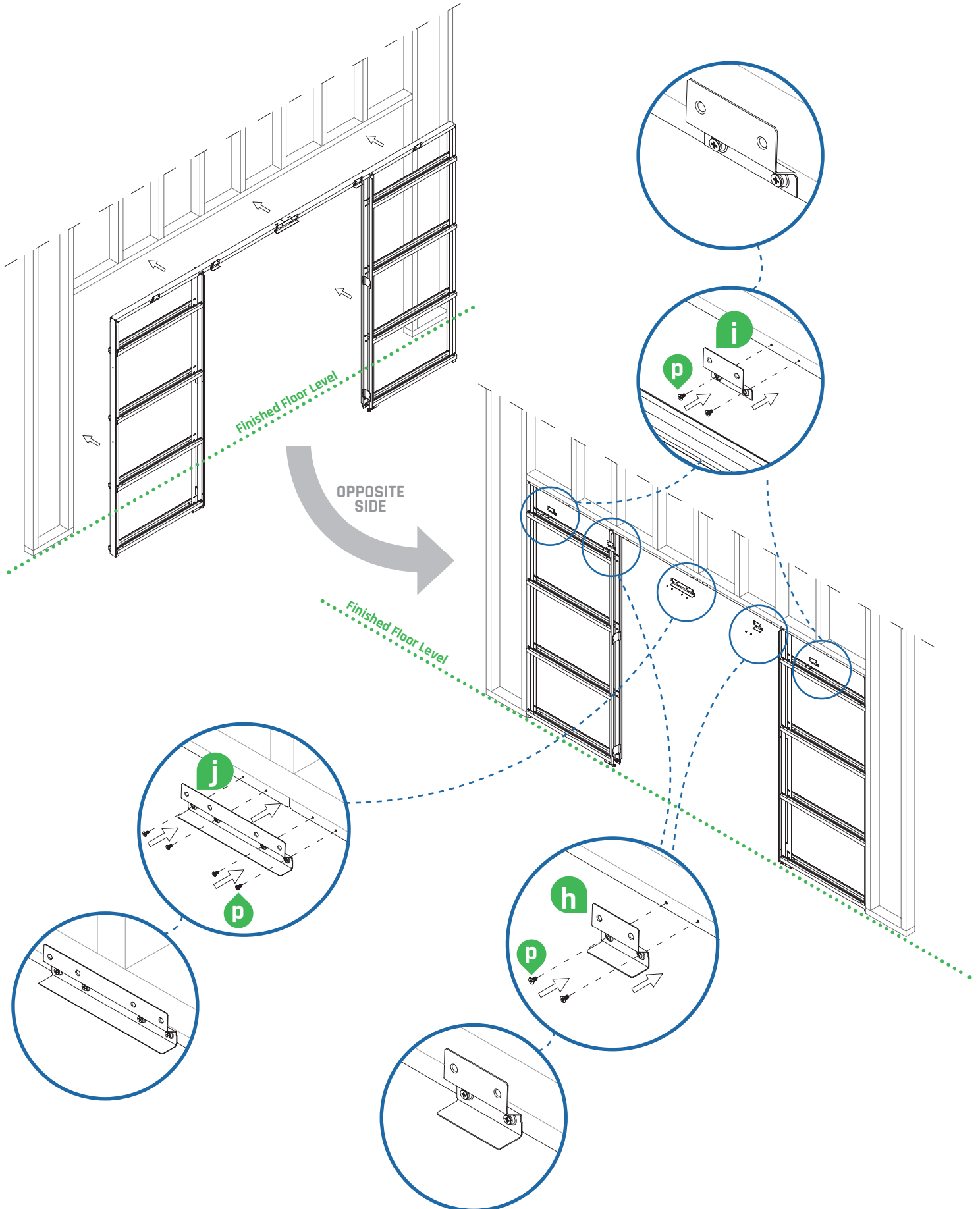
INSTALLING IN STUDWORK

SINGLE DOOR



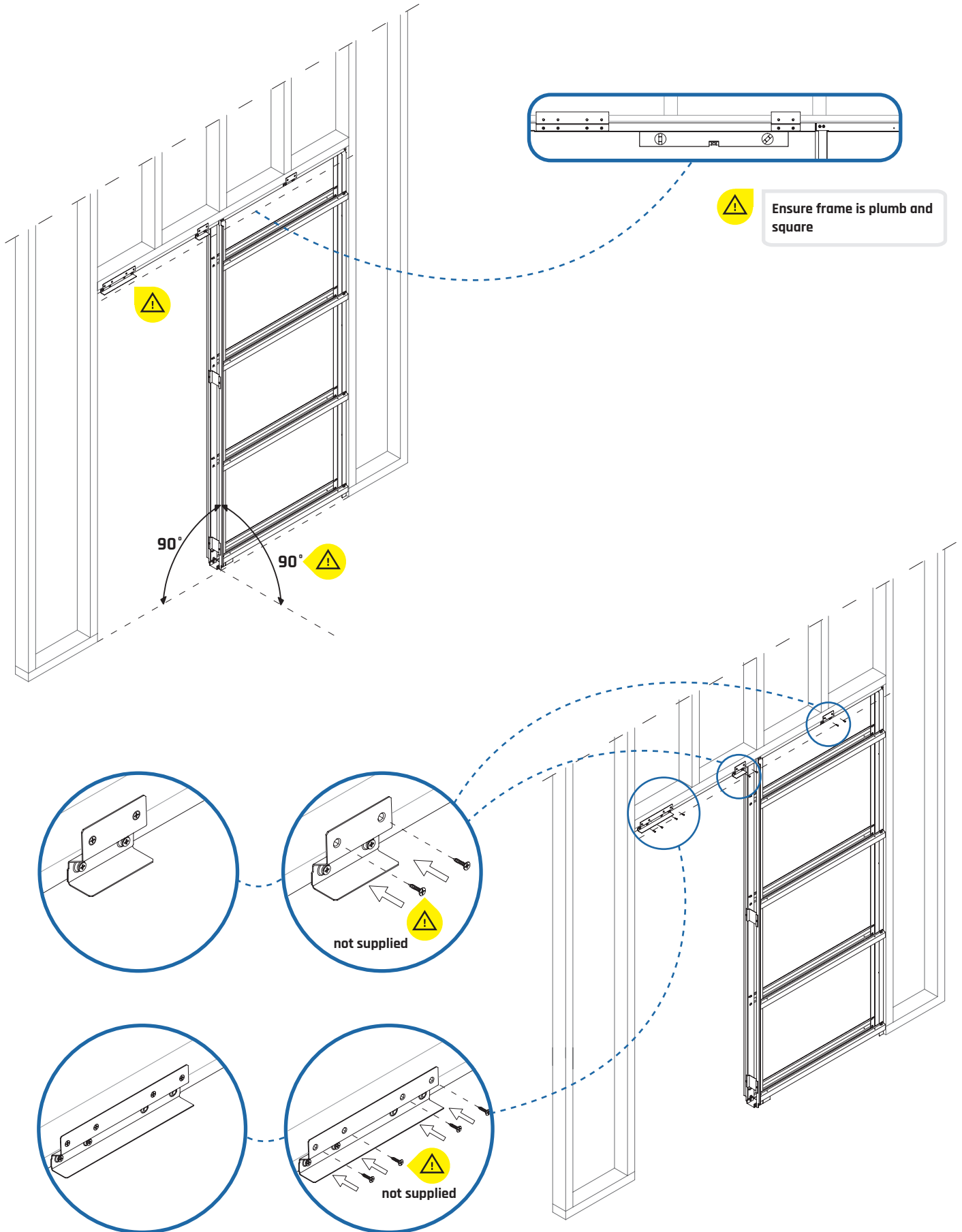
INSTALLING IN STUDWORK

DOUBLE DOOR



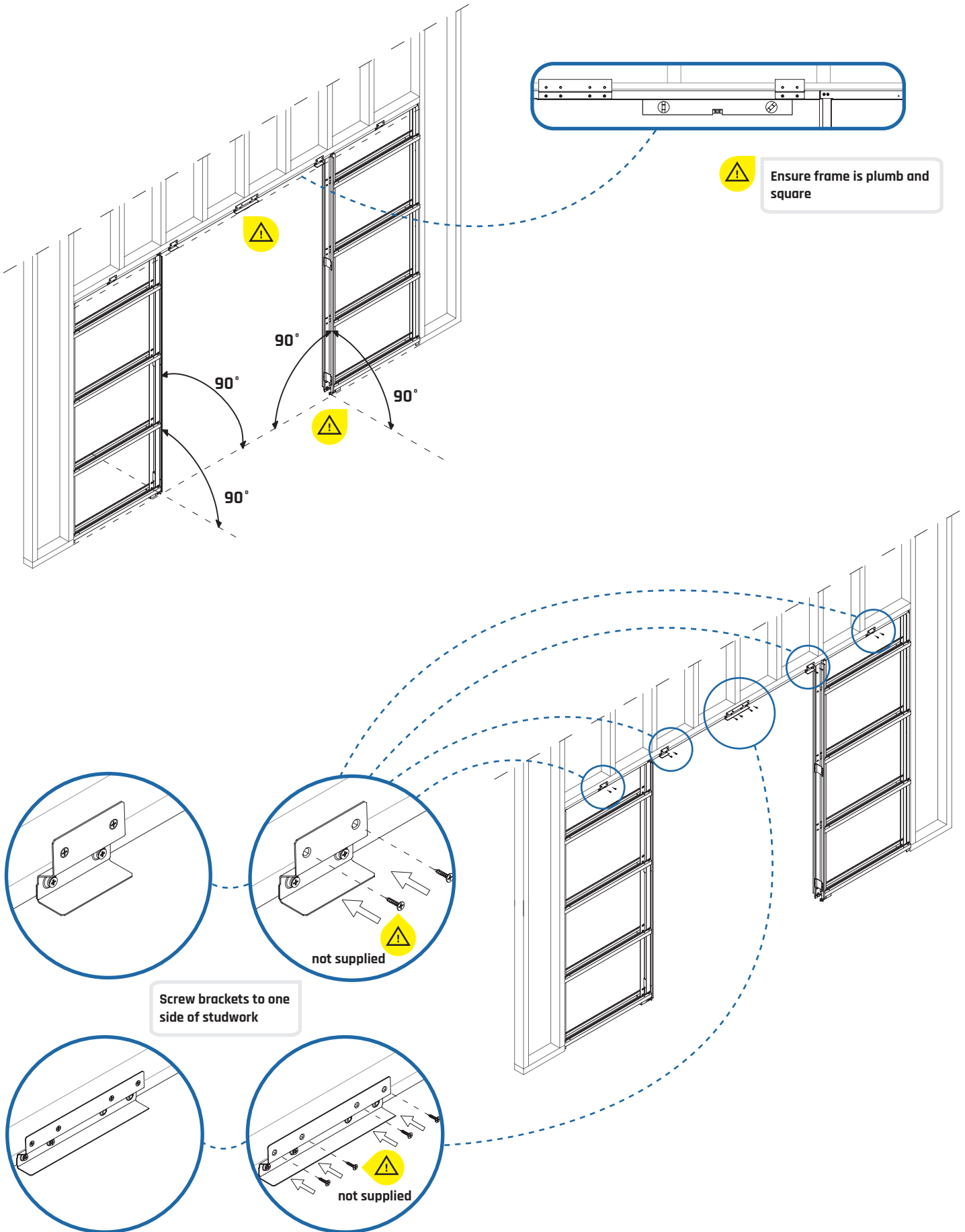
INSTALLING IN STUDWORK

SINGLE DOOR



INSTALLING IN STUDWORK

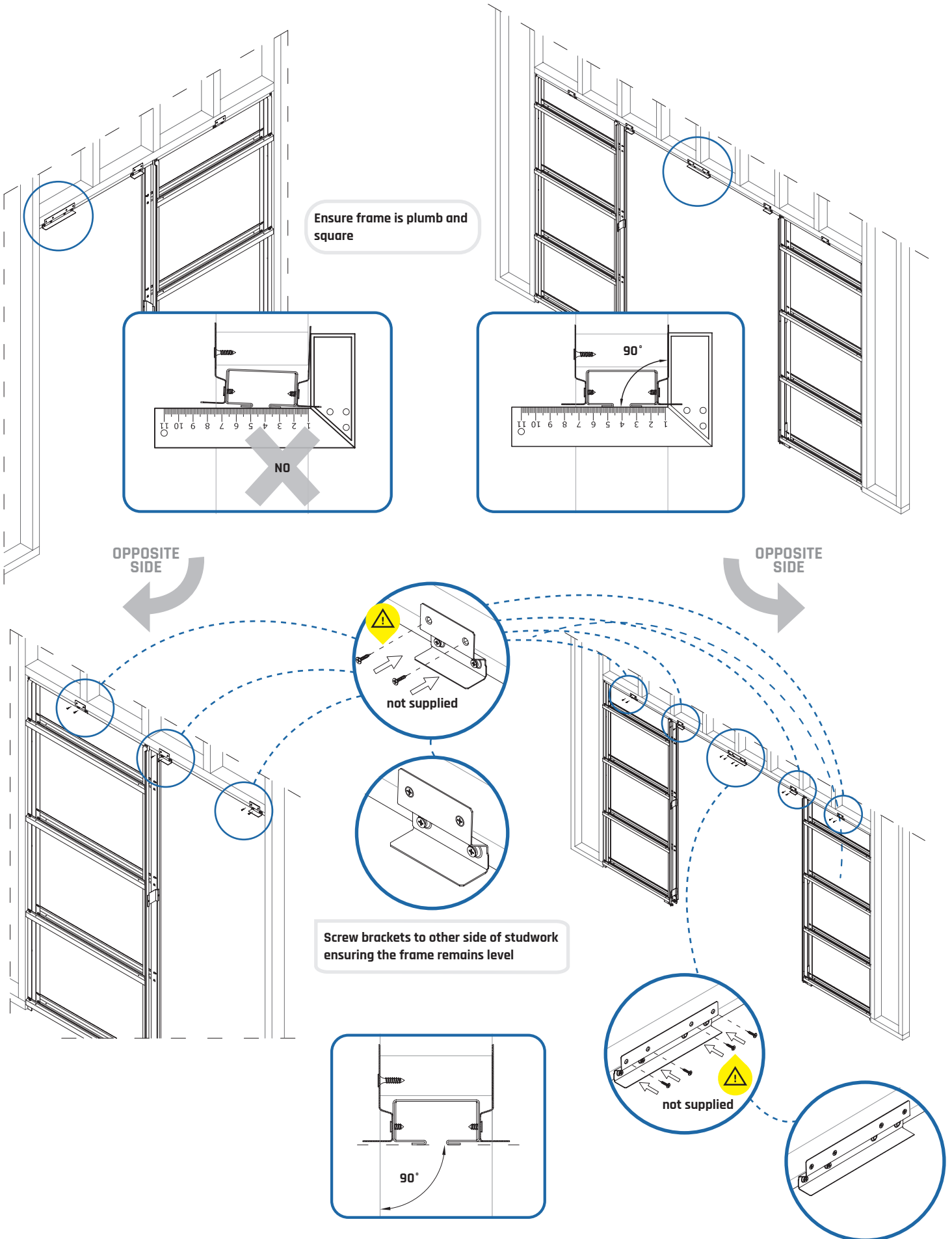
DOUBLE DOOR



INSTALLING IN STUDWORK

SINGLE DOOR

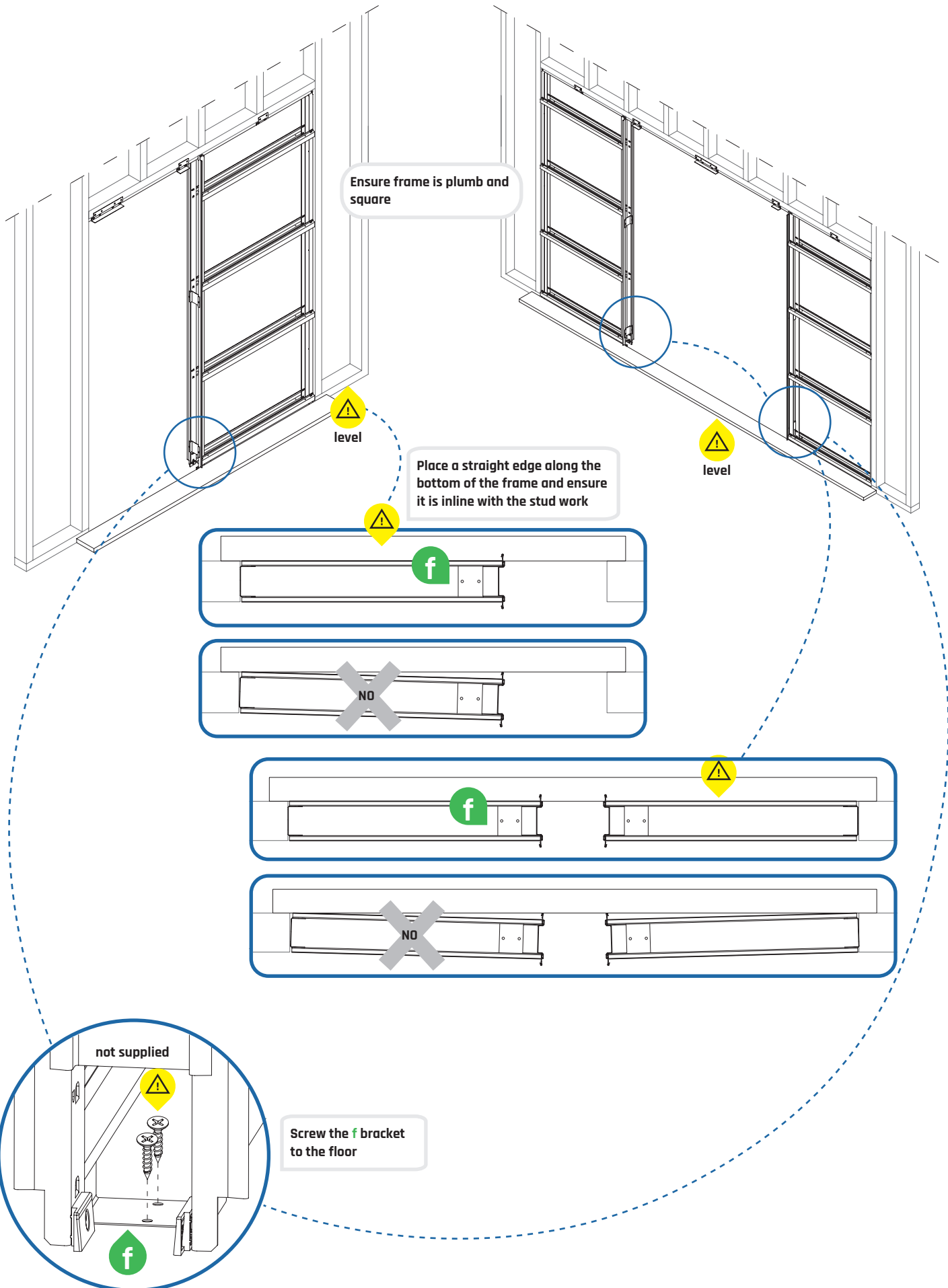
DOUBLE DOOR



INSTALLING IN STUDWORK

SINGLE DOOR

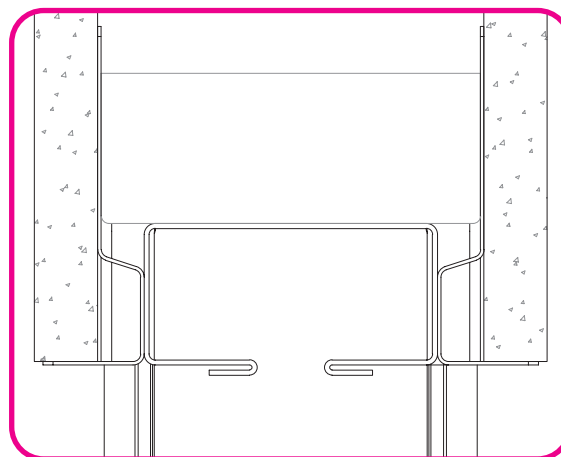
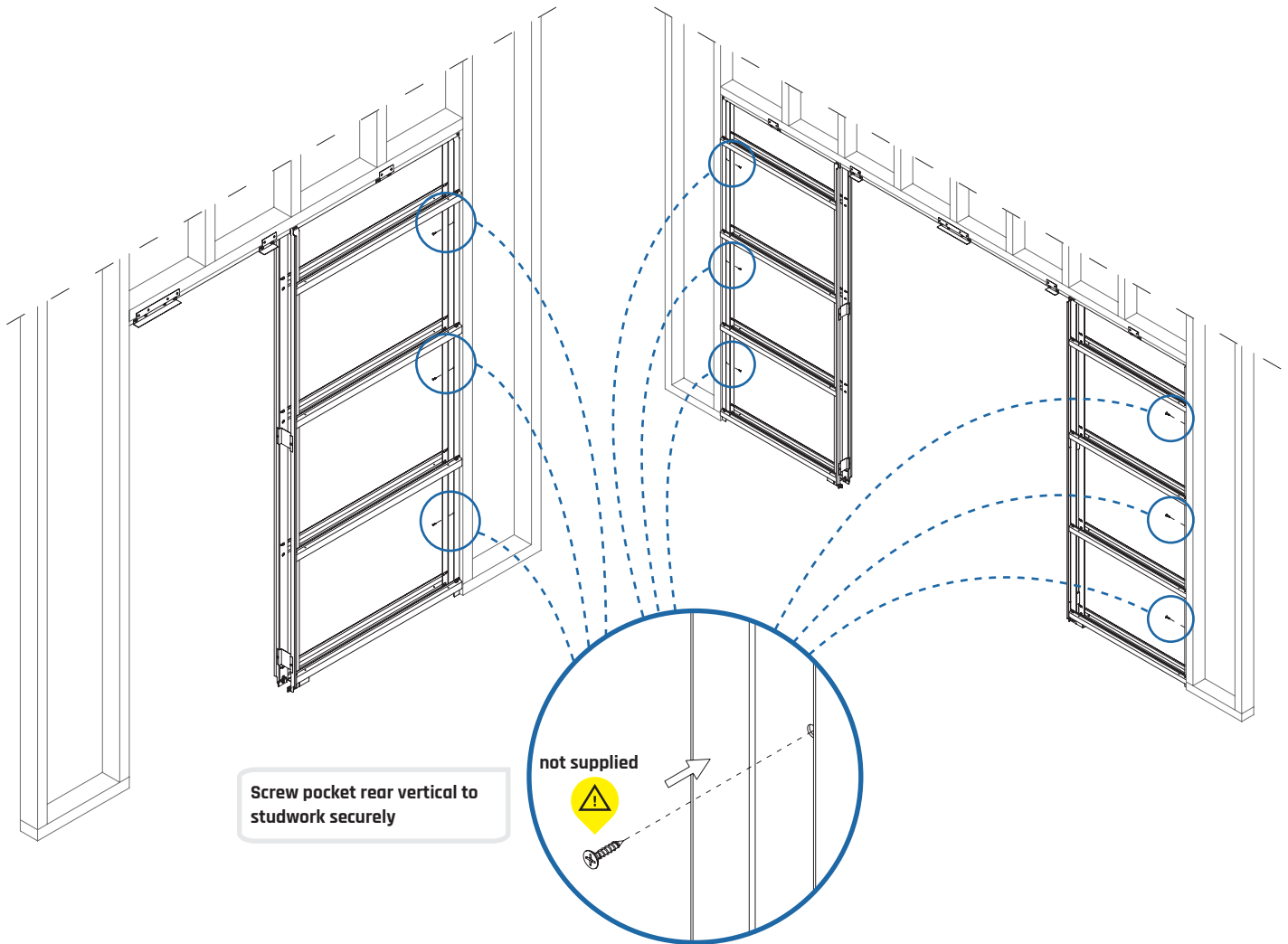
DOUBLE DOOR



SCREWING THE REAR VERTICAL TO THE STUDWORK

SINGLE DOOR

DOUBLE DOOR

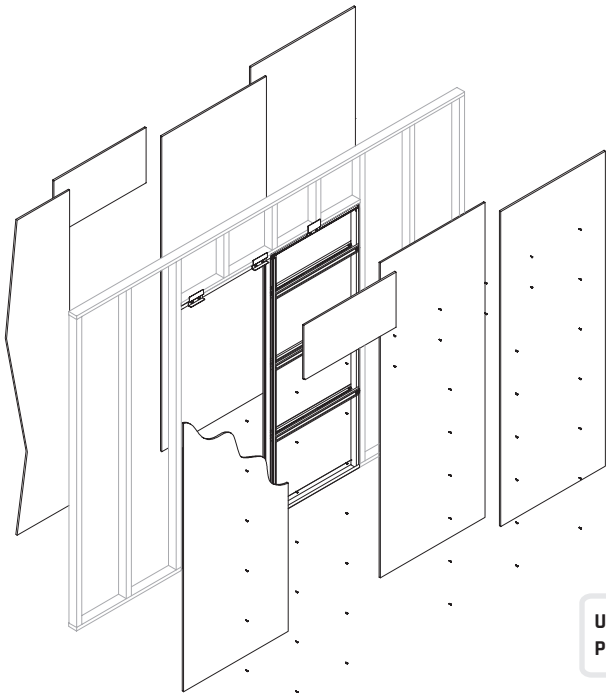


CAREFULLY CLEAN THE TRACK TWICE

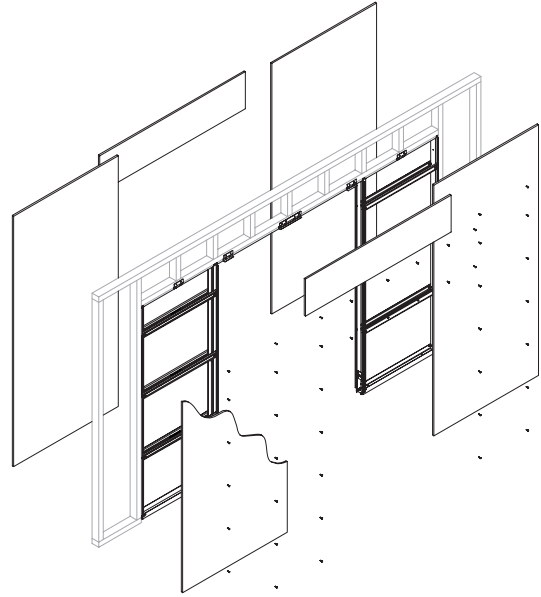
IF INSTALLING A GLASS DOOR PLEASE REFER TO THE GLASS DOOR INSTRUCTIONS LOCATED IN THE GLASS DOOR

FIXING THE PLASTERBOARD

SINGLE DOOR



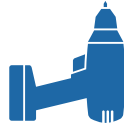
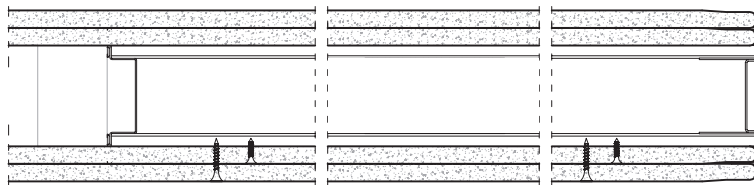
DOUBLE DOOR



USE 12.5 mm
PLASTERBOARD

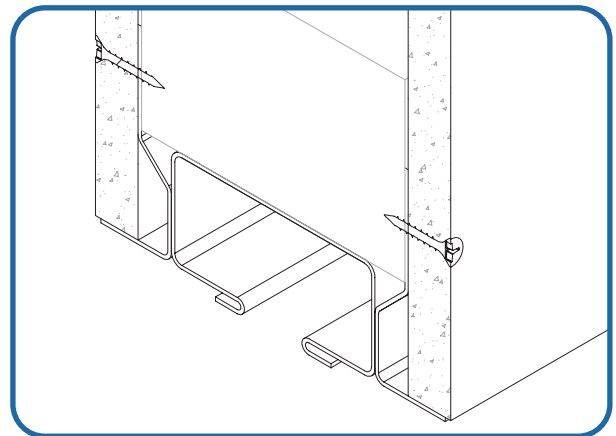
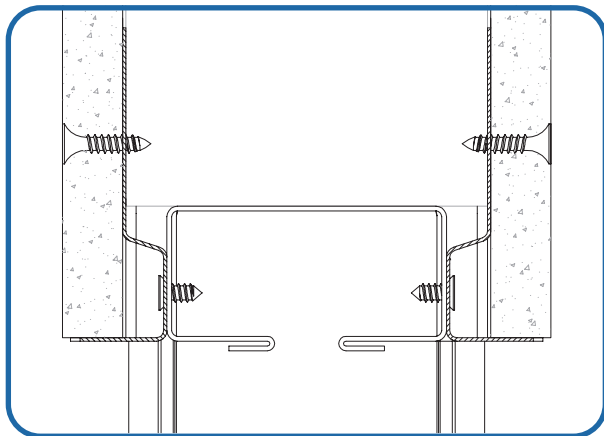


If installing a FD30 kit allow for two layers of plasterboard each side of the frame



Use supplied 25 mm
screws for the first layer

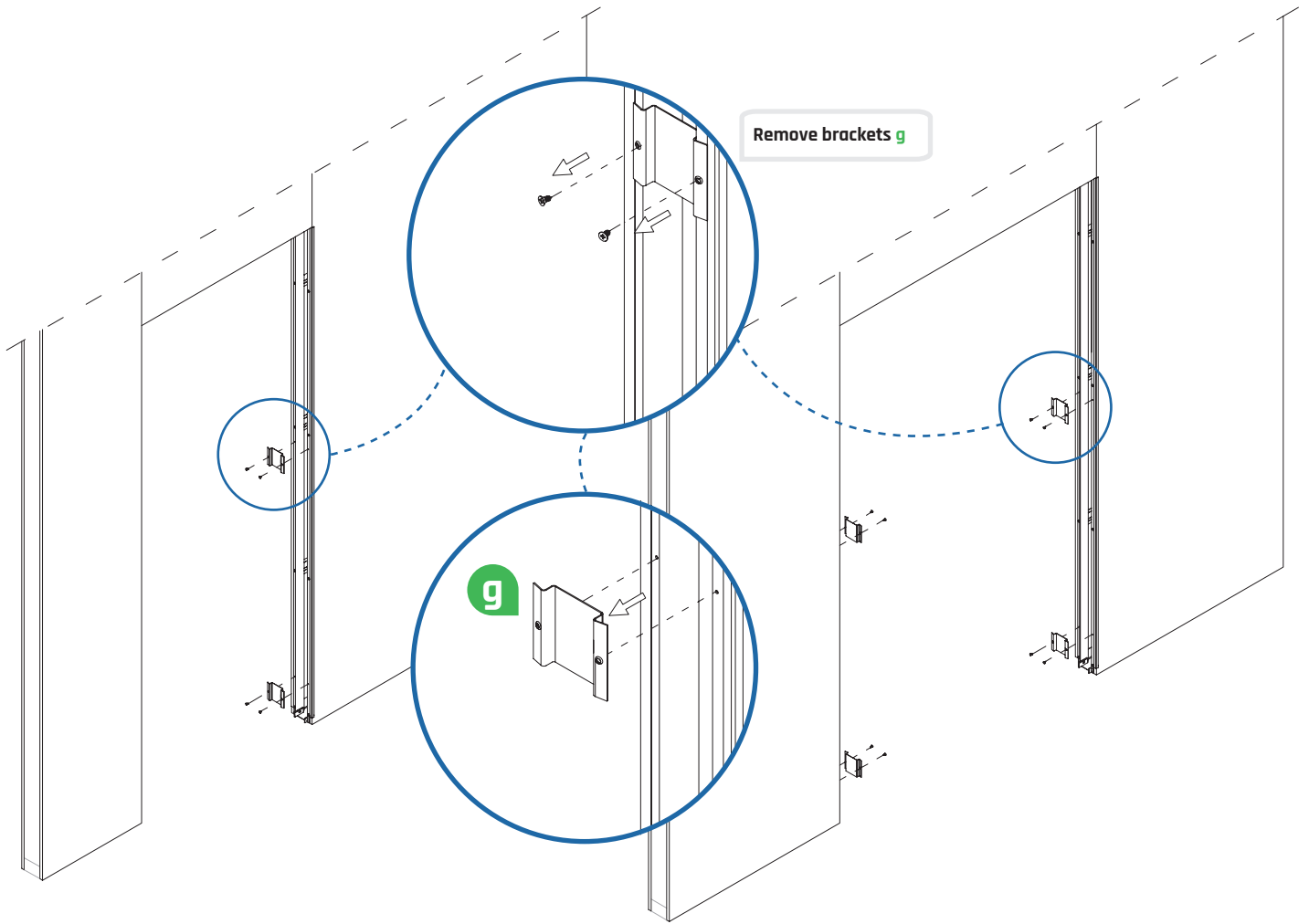
Second layer screws are
not supplied



REMOVING BRACKETS

SINGLE DOOR

DOUBLE DOOR



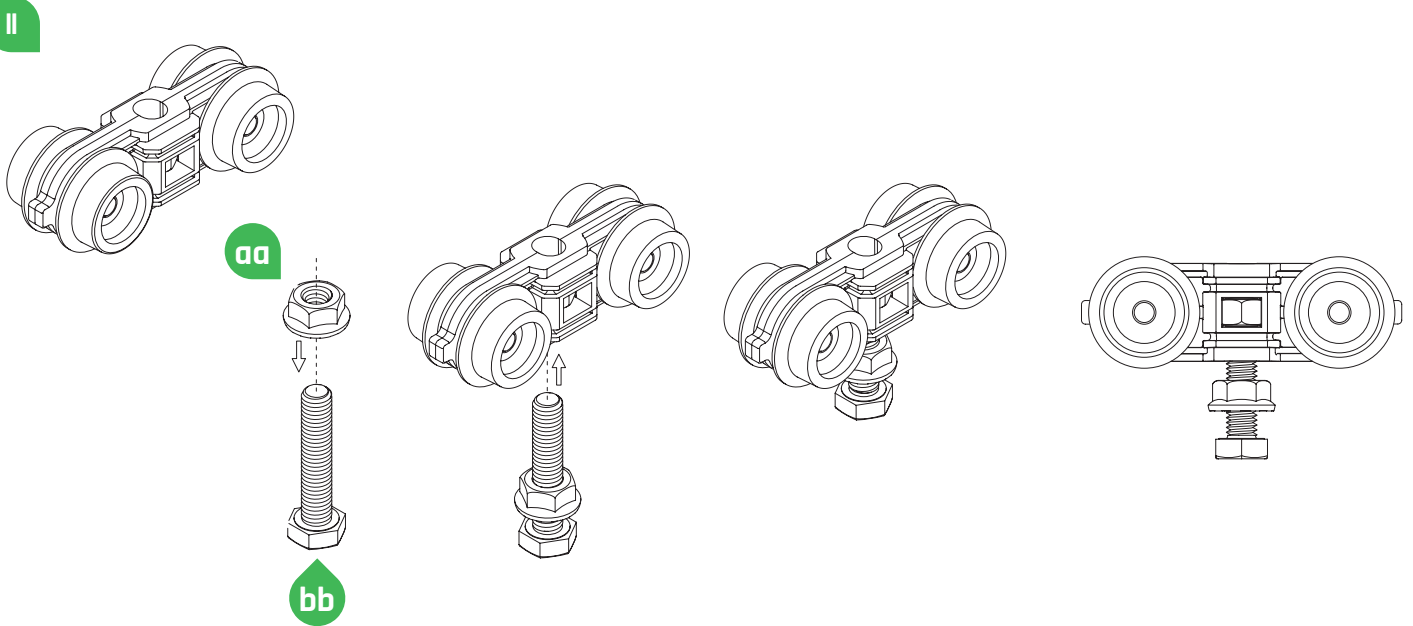
RUNNERS ASSEMBLING

X2

SINGLE DOOR

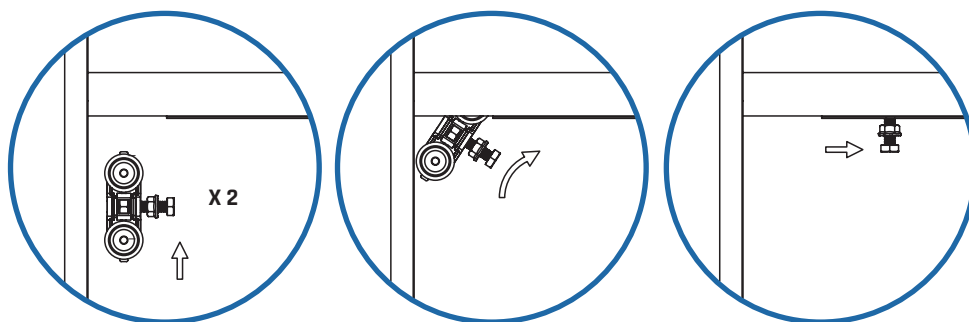
X4

DOUBLE DOOR

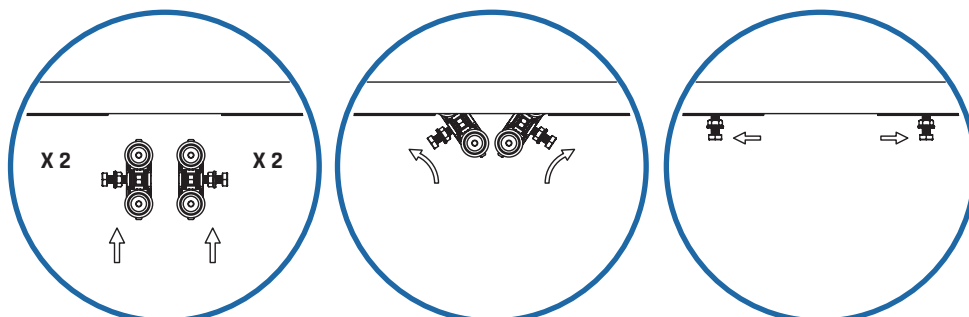


INSERT RUNNERS INTO TRACK

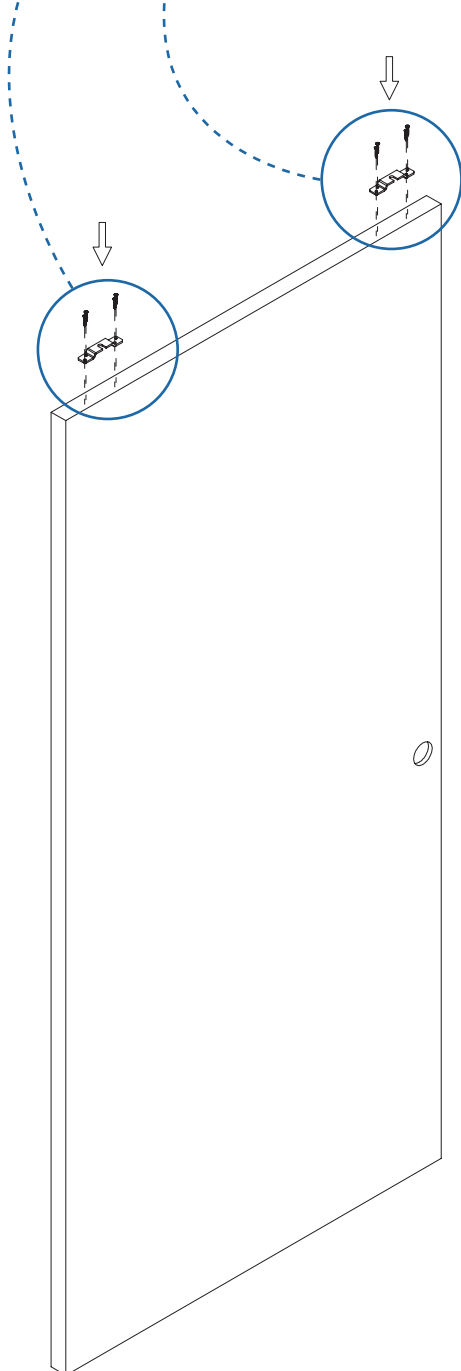
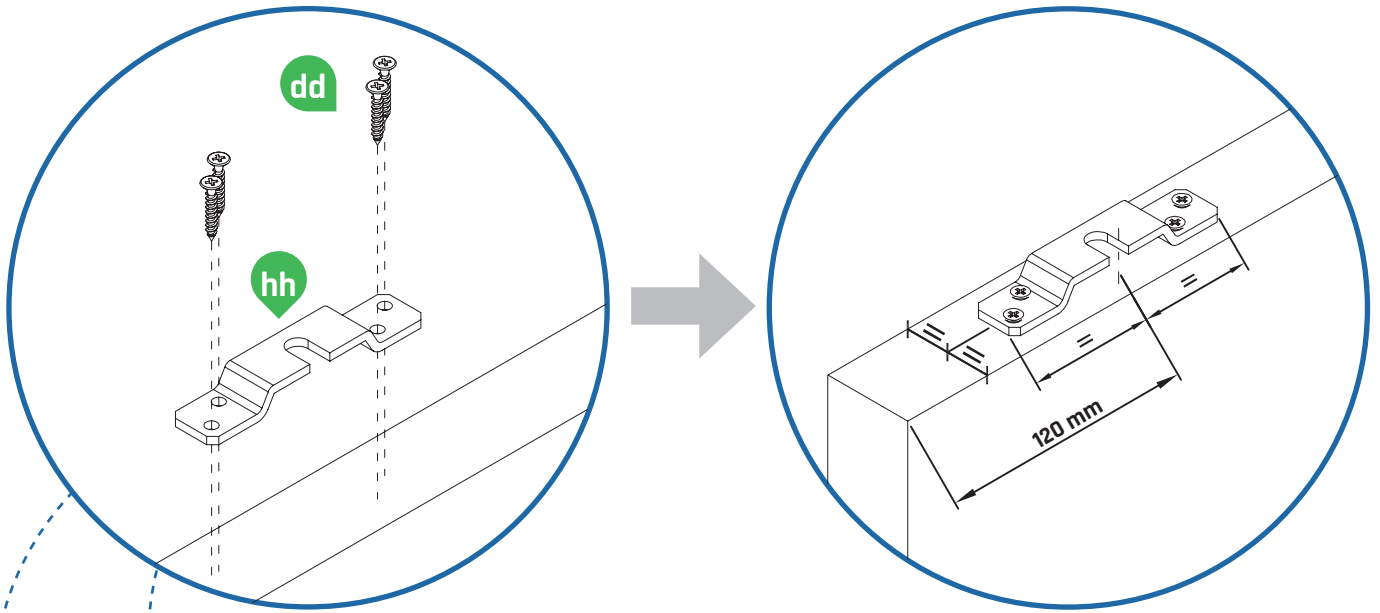
SINGLE DOOR



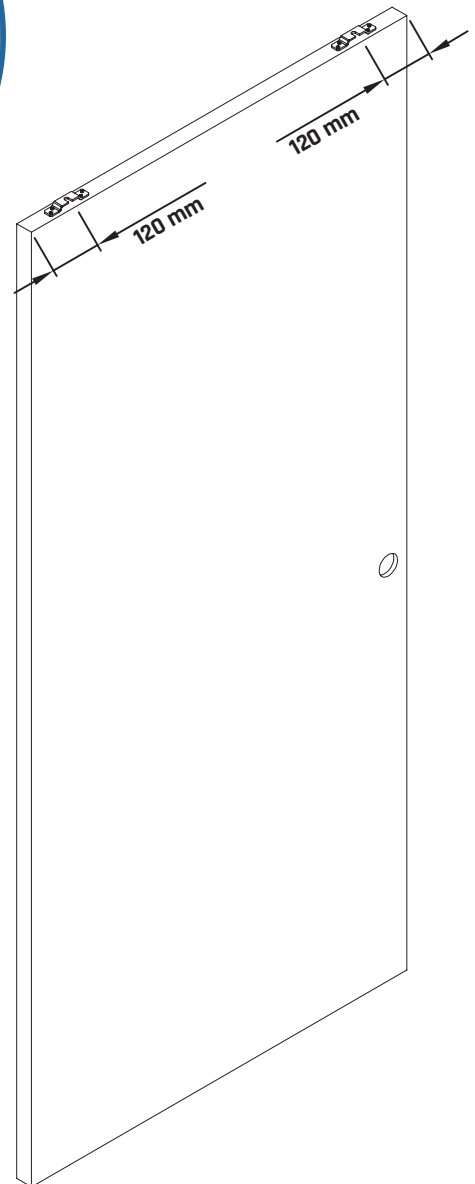
DOUBLE DOOR



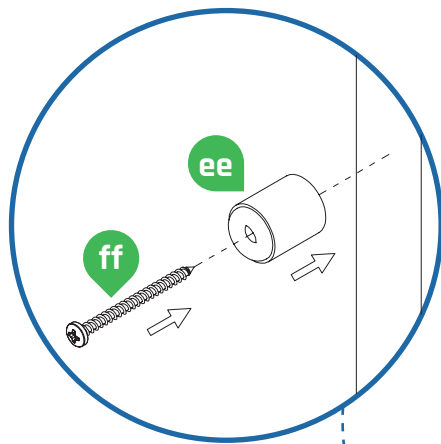
INSTALLING DOOR BRACKETS



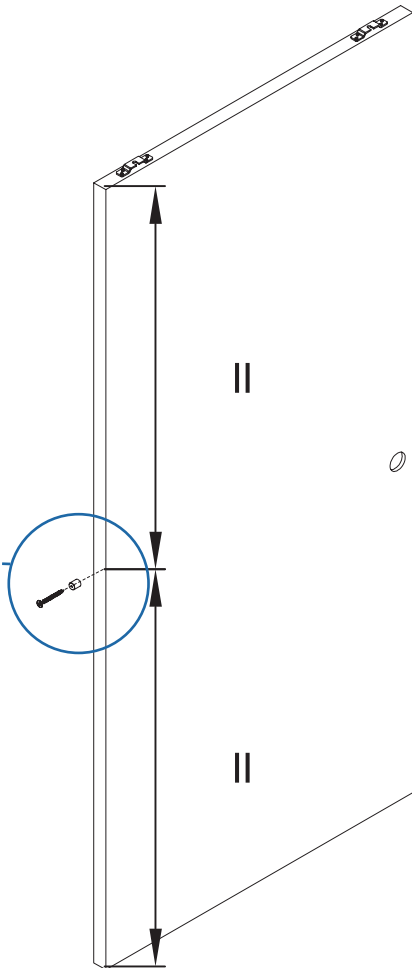
IMPORTANT:
for double doors position
front bracket on each door at
90 mm instead of 120 mm.



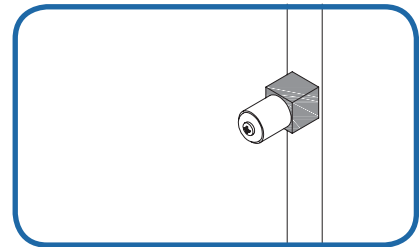
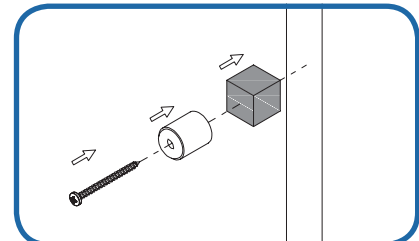
INSTALLING REAR DOOR BUMPER



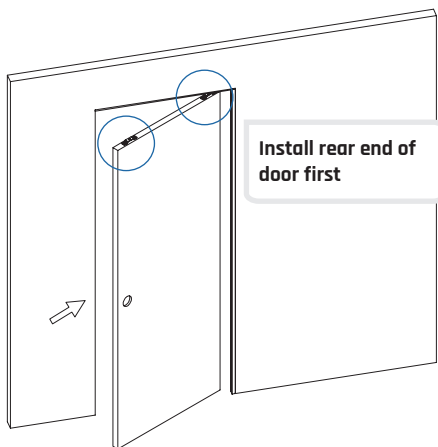
Screw in front doorstop using supplied screws and pre drilled holes



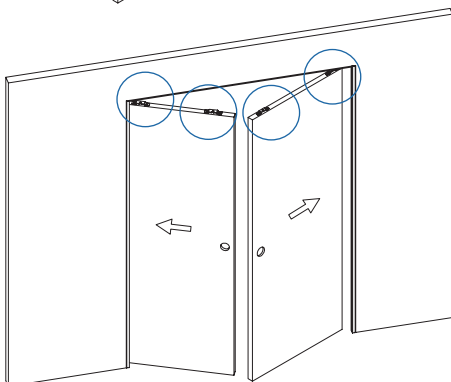
If you wish to adjust the door to protrude from the pocket when fully open, you need to add a distance piece between the rear of the door and the rubber bumper. We recommend this when using flush pulls to eliminate the risk of trapped fingers.



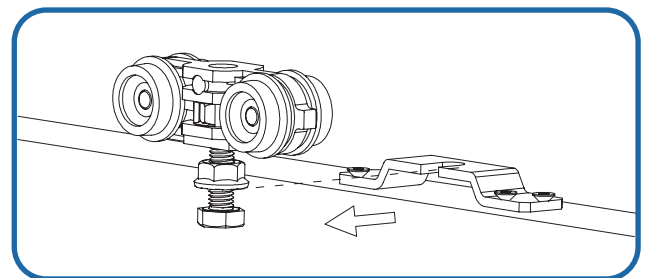
INSTALLING DOOR PANEL



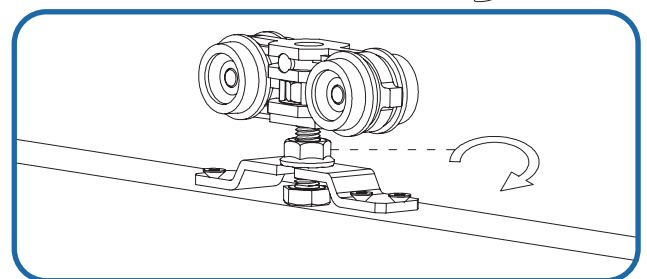
Install rear end of door first



Adjust door height to be 7 mm above the floor and lock into position with by tightening lock nut

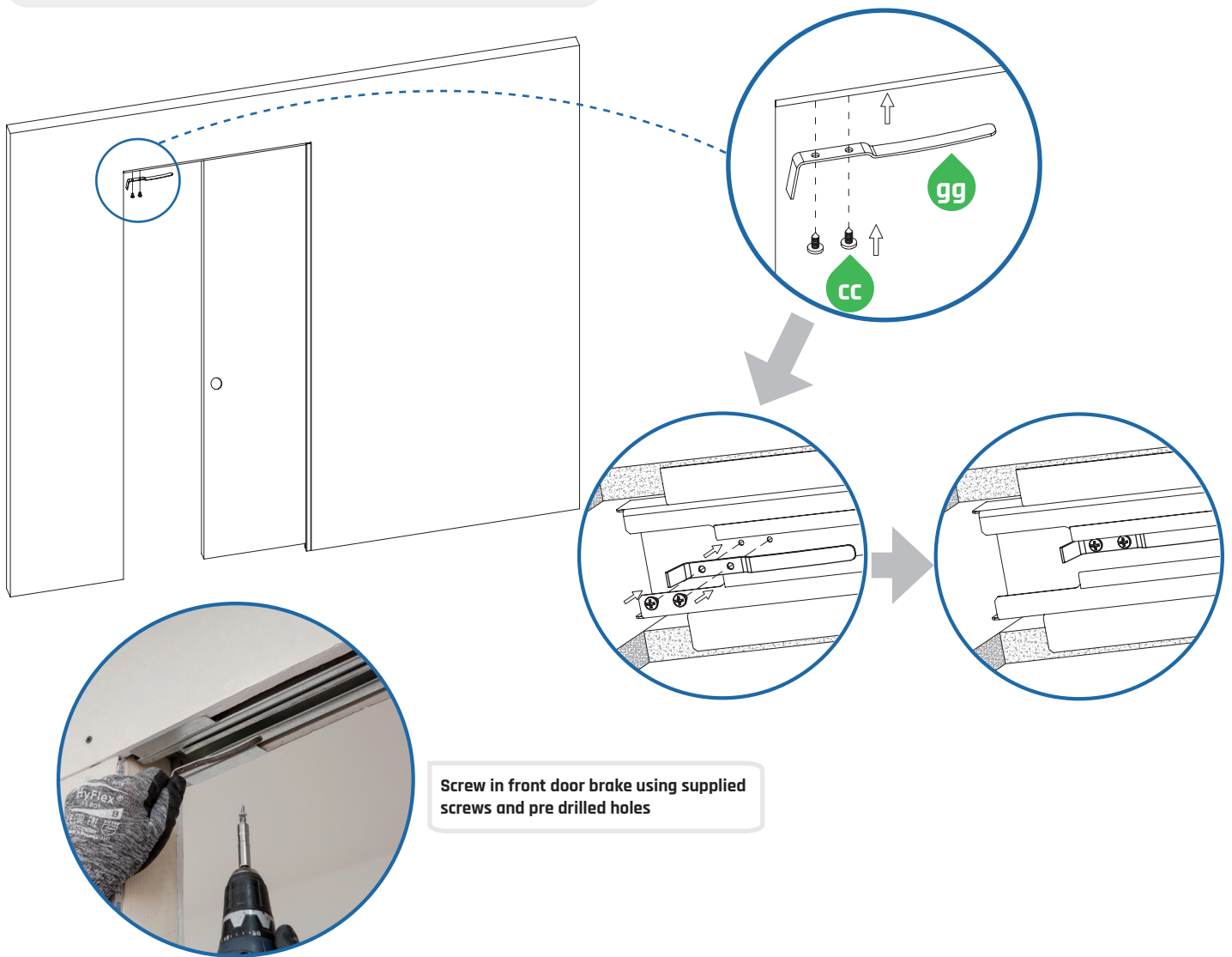


ii

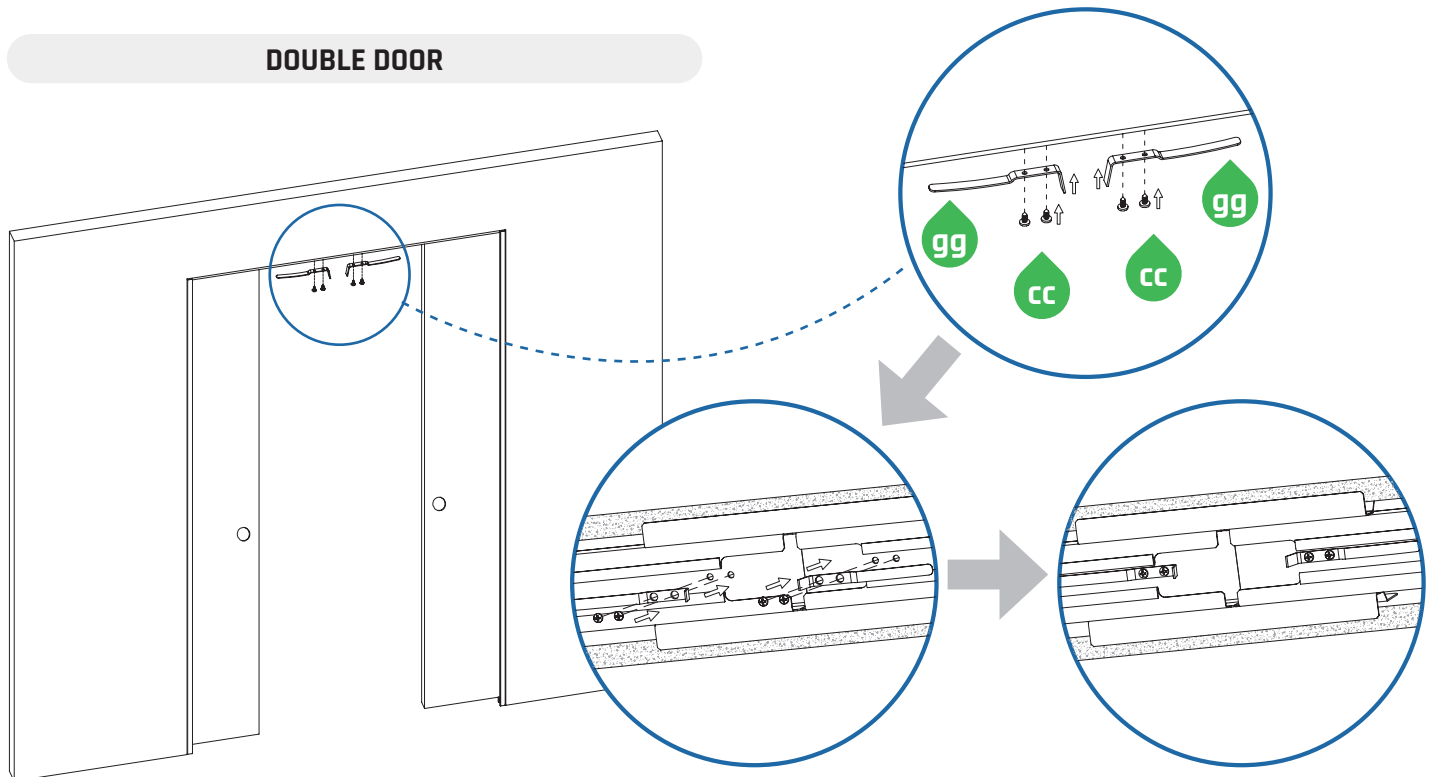


INSTALLING DOOR BRAKE

SINGLE DOOR



DOUBLE DOOR





**WANT TO SEE
HOW IT'S DONE?**



**GO TO WWW.ROCKETDOORFRAMES.CO.UK
TO SEE AN INSTALLATION VIDEO**

NEED HELP? GIVE US A CALL 03309980617

