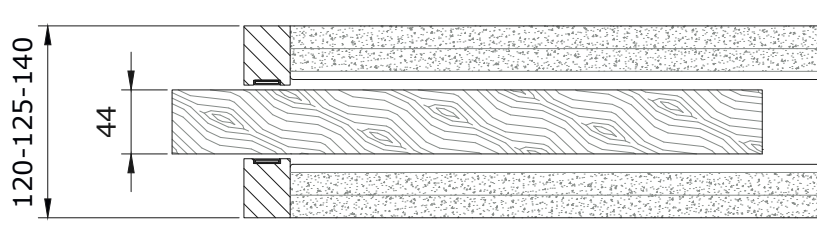
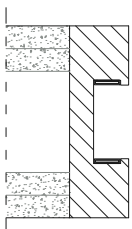
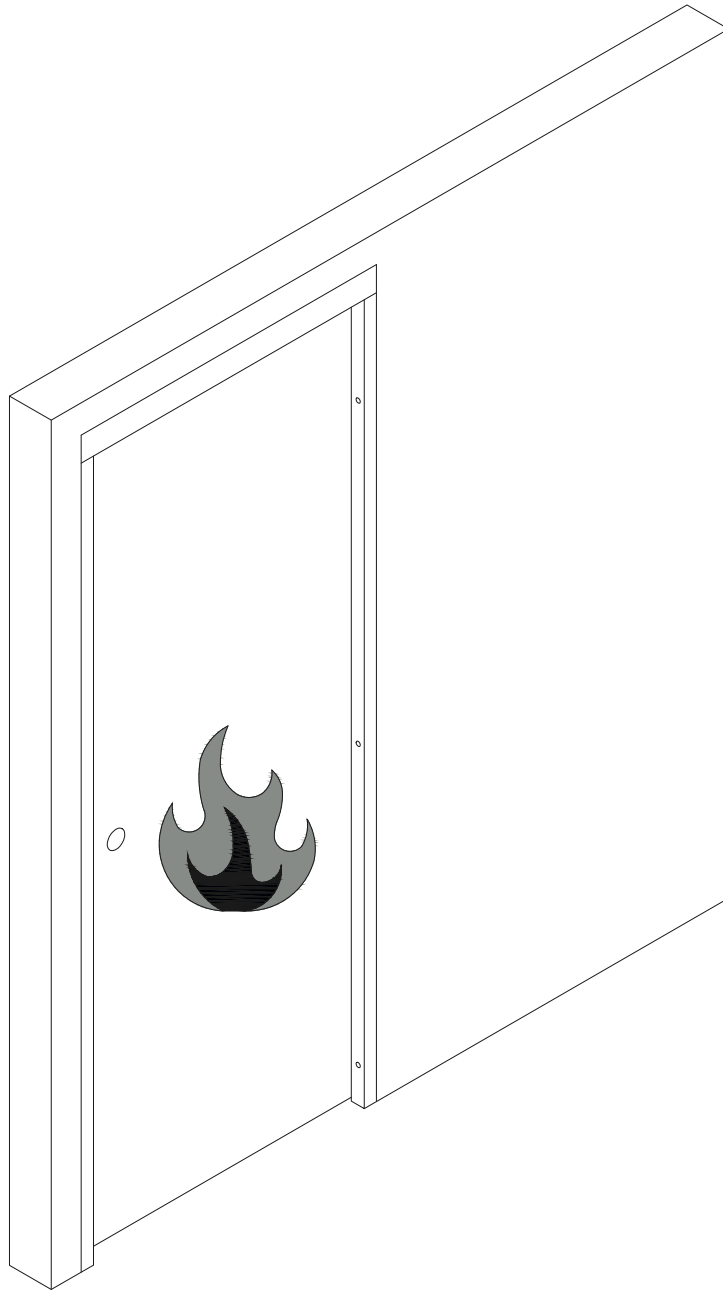
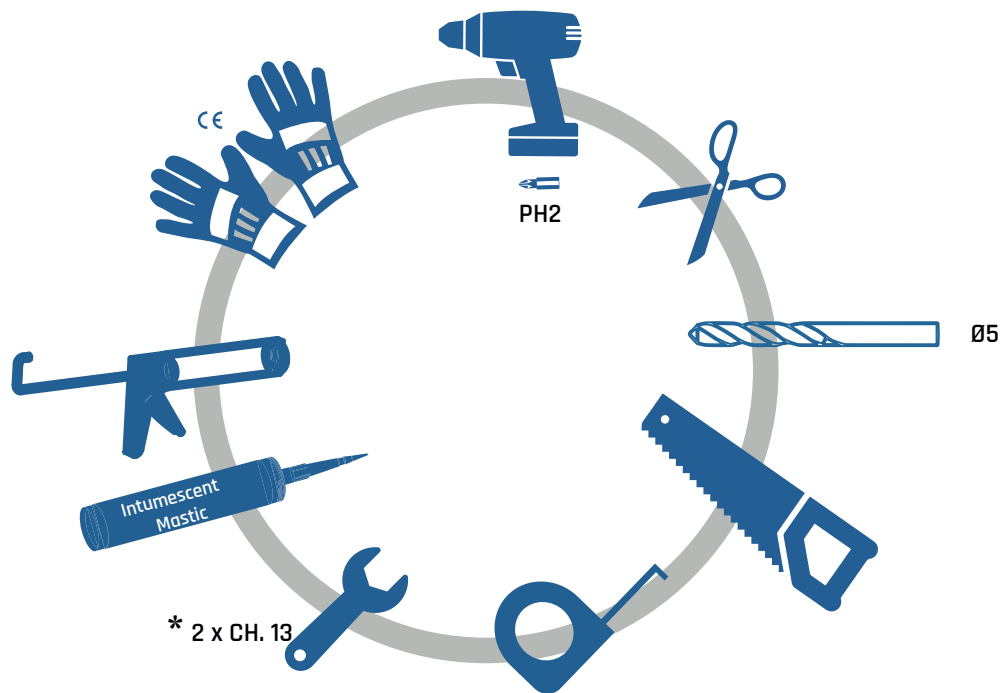


## FIRE JAMBS INSTRUCTIONS

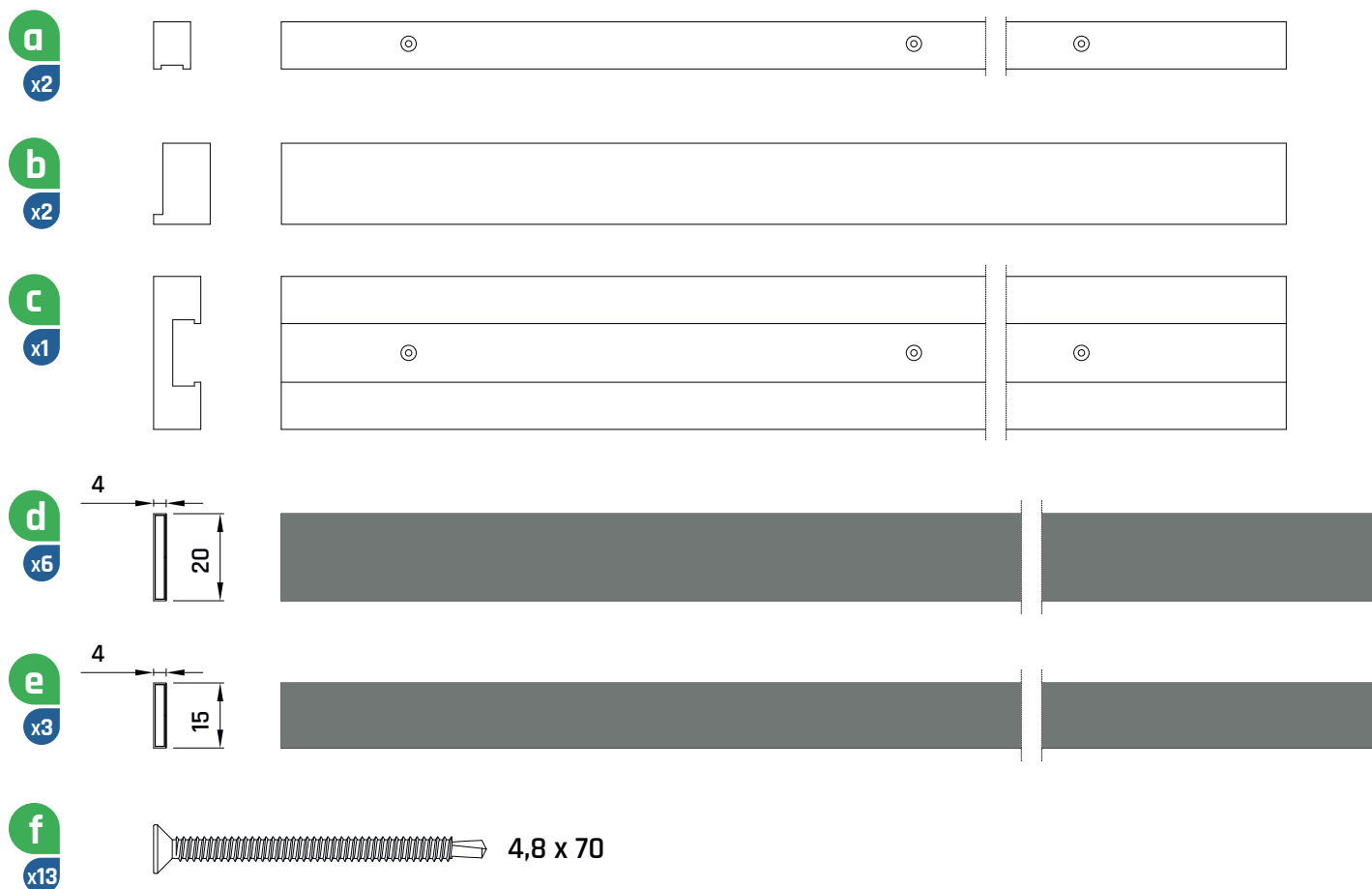


## TOOLS REQUIRED

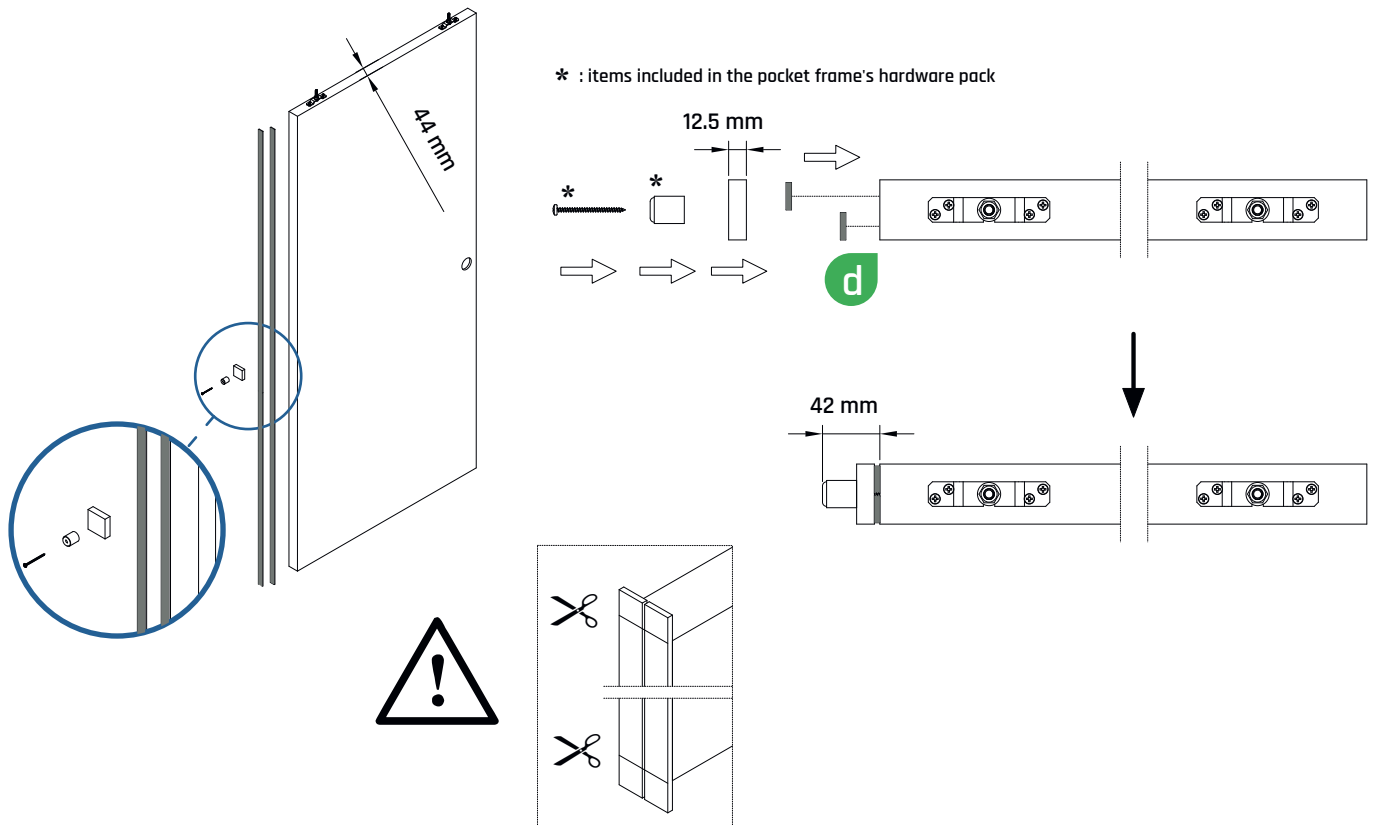


\* : items included in the pocket frame's hardware pack

## COMPONENTS

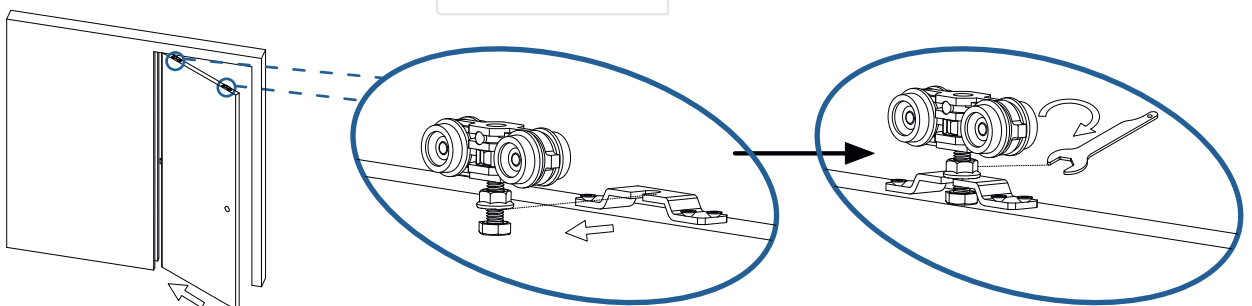


Attach intumescents (d), a 12,5 mm section of plasterboard and the bumper to the back of the door

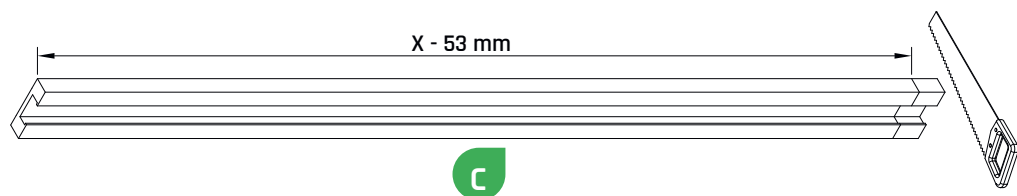
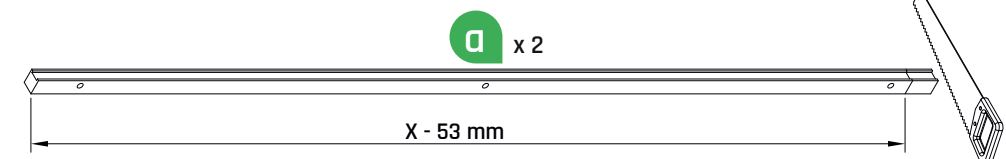
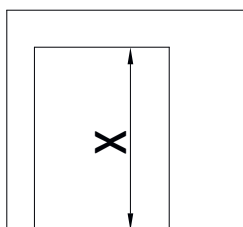


Attention: if purchased, install the Soft Close and Self Closing before installing the door.

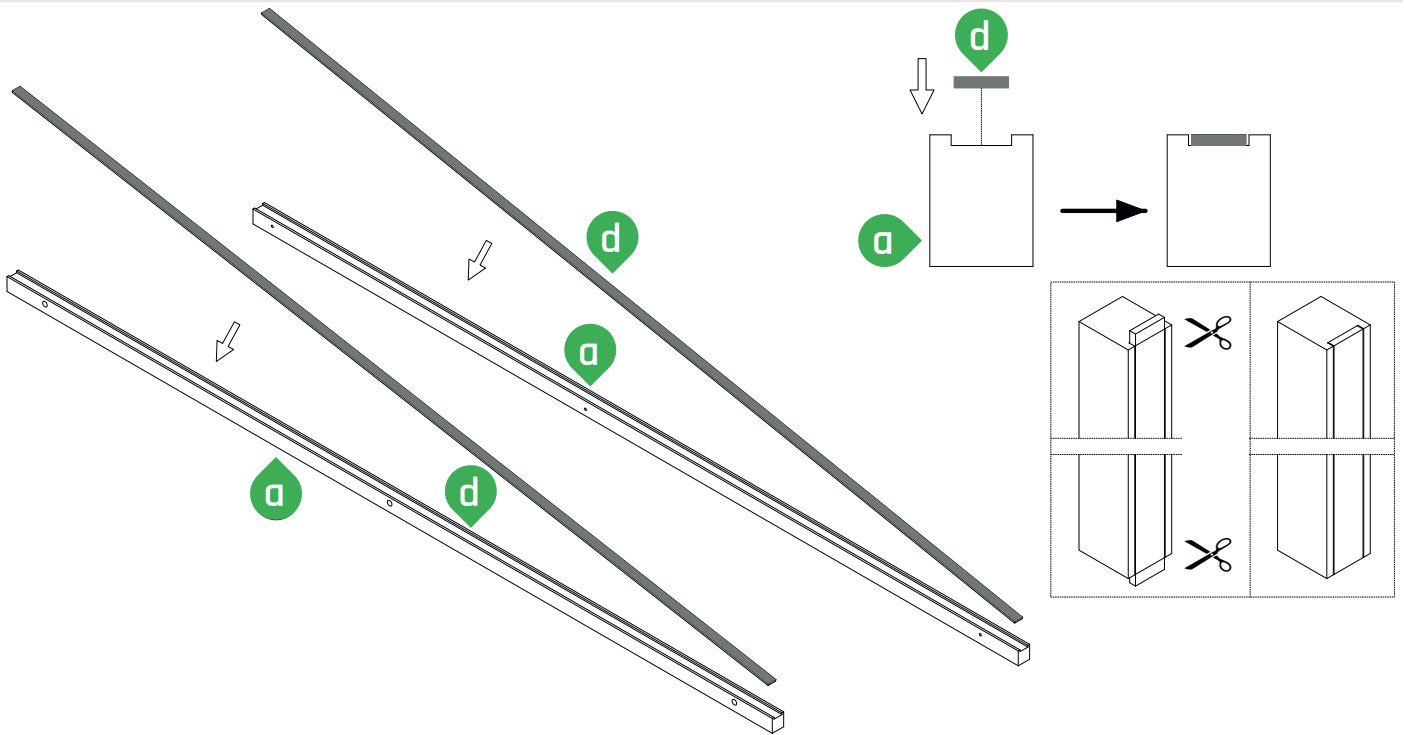
Insert the door



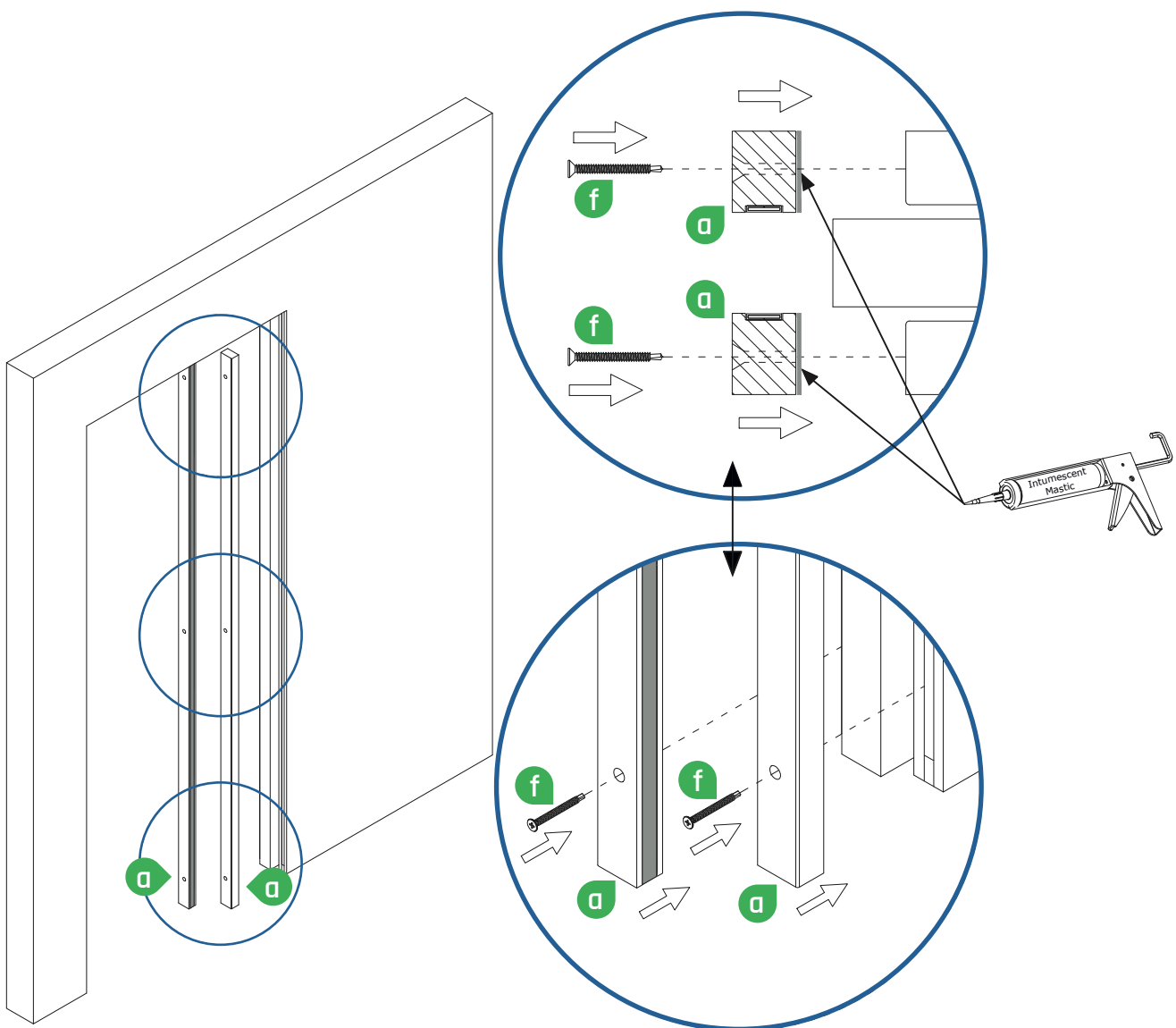
Cut the jambs' verticals as per drawing



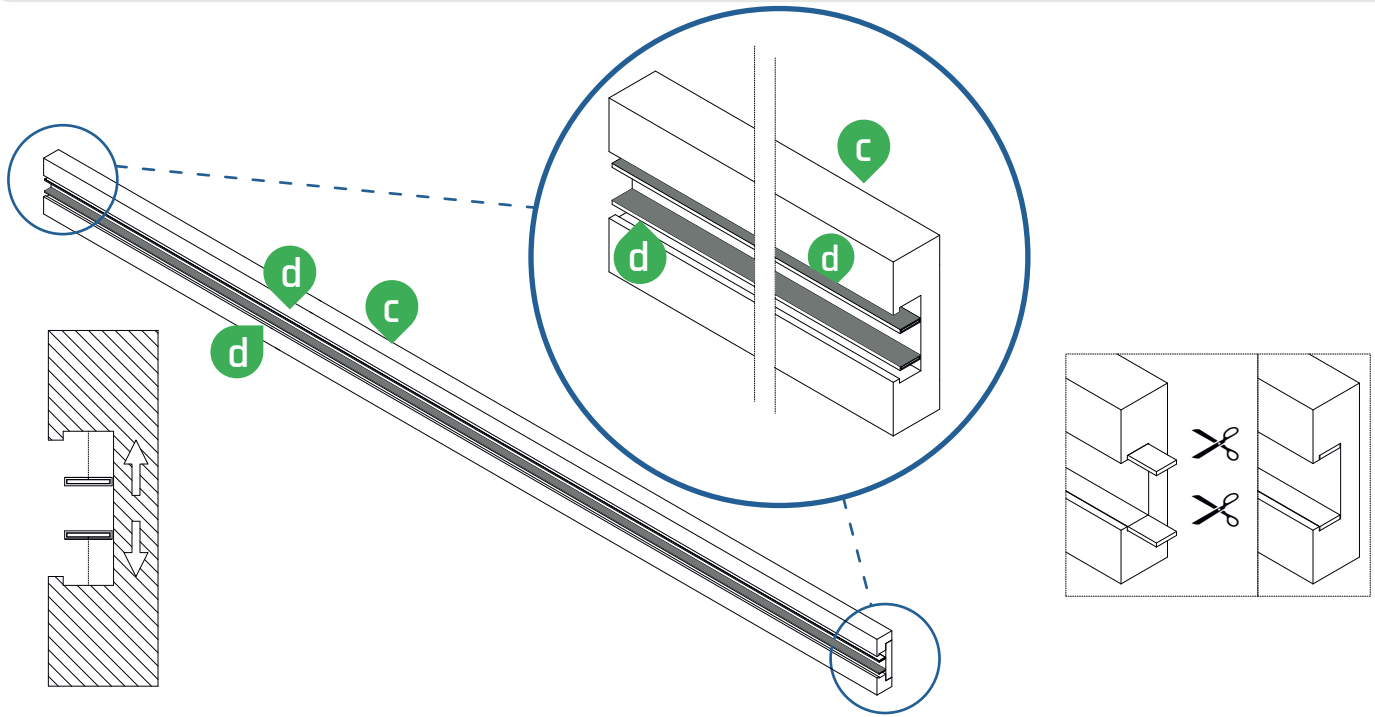
Install the intumescent strips (d) on the verticals and cut the exceeding part



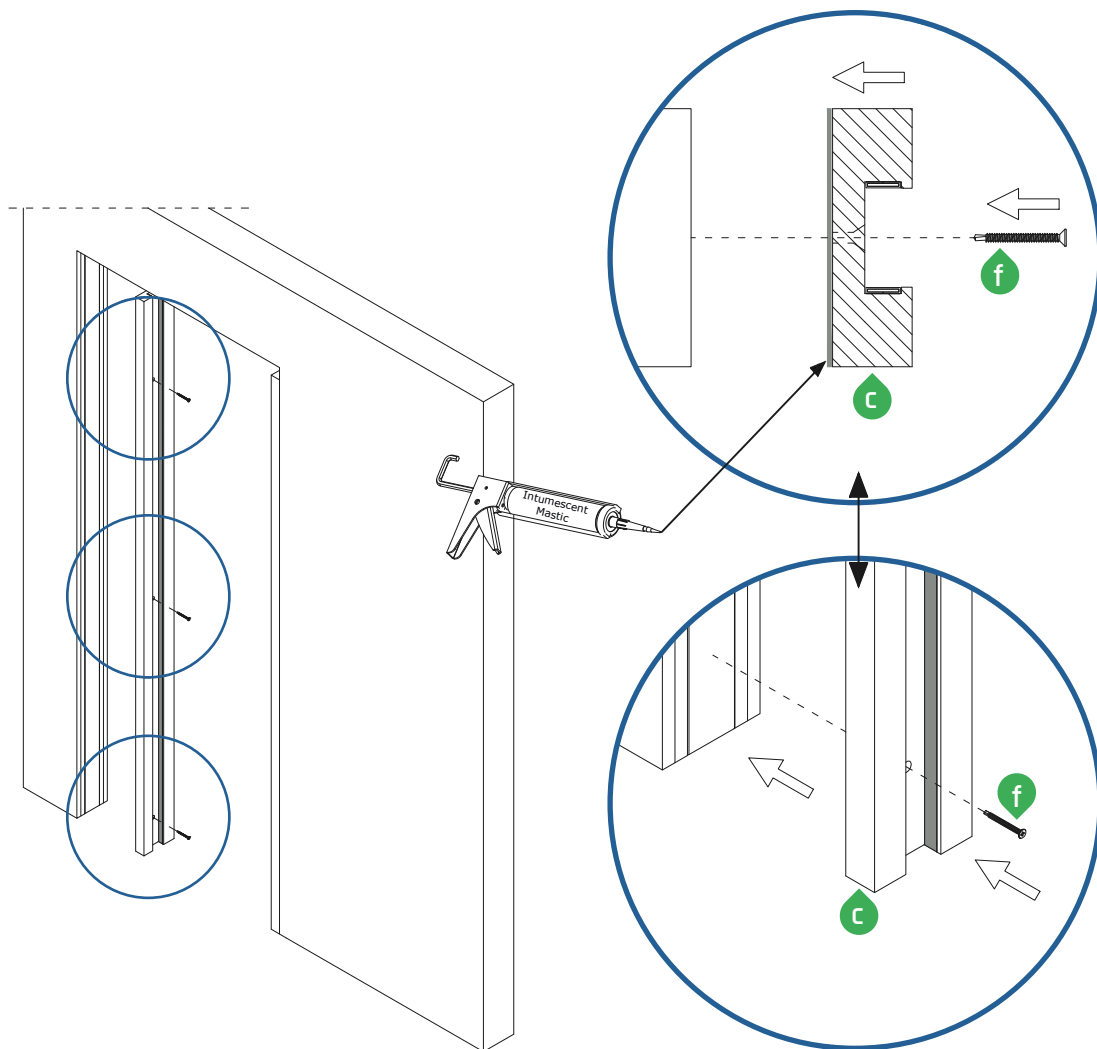
Attach the vertical jamba (a) to the pocket entrance opening



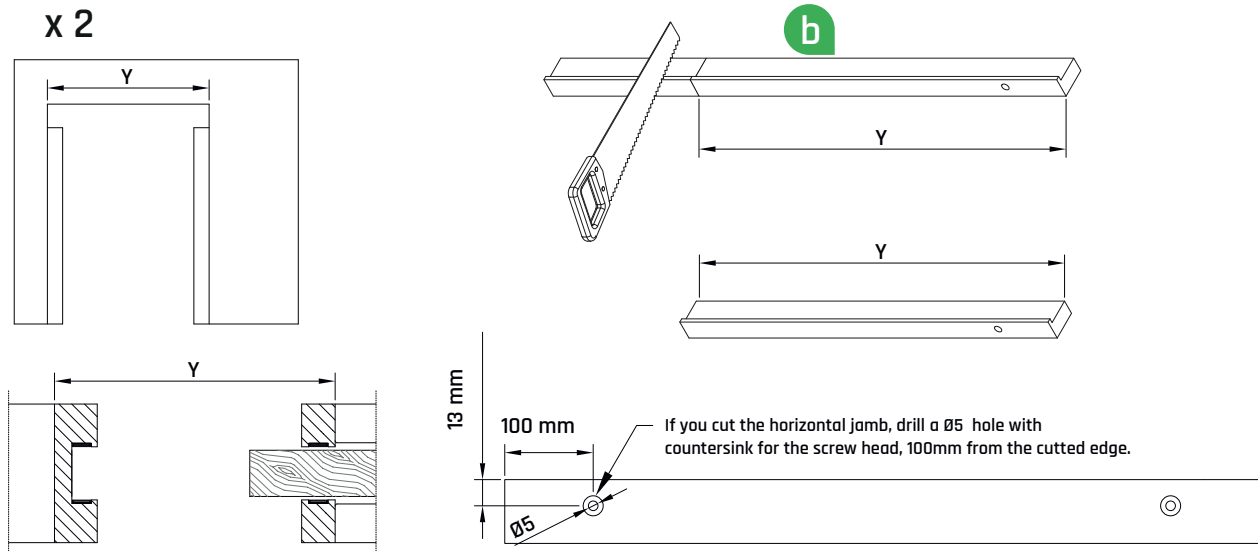
Apply the intumescent strips (d) on the door post and cut the exceeding parts



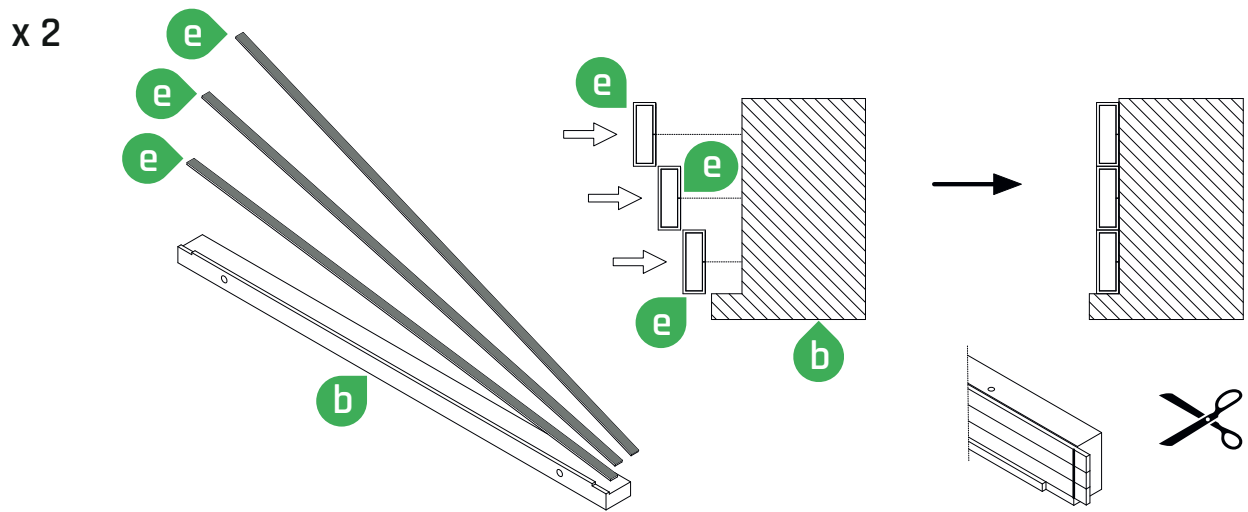
Attach the door post



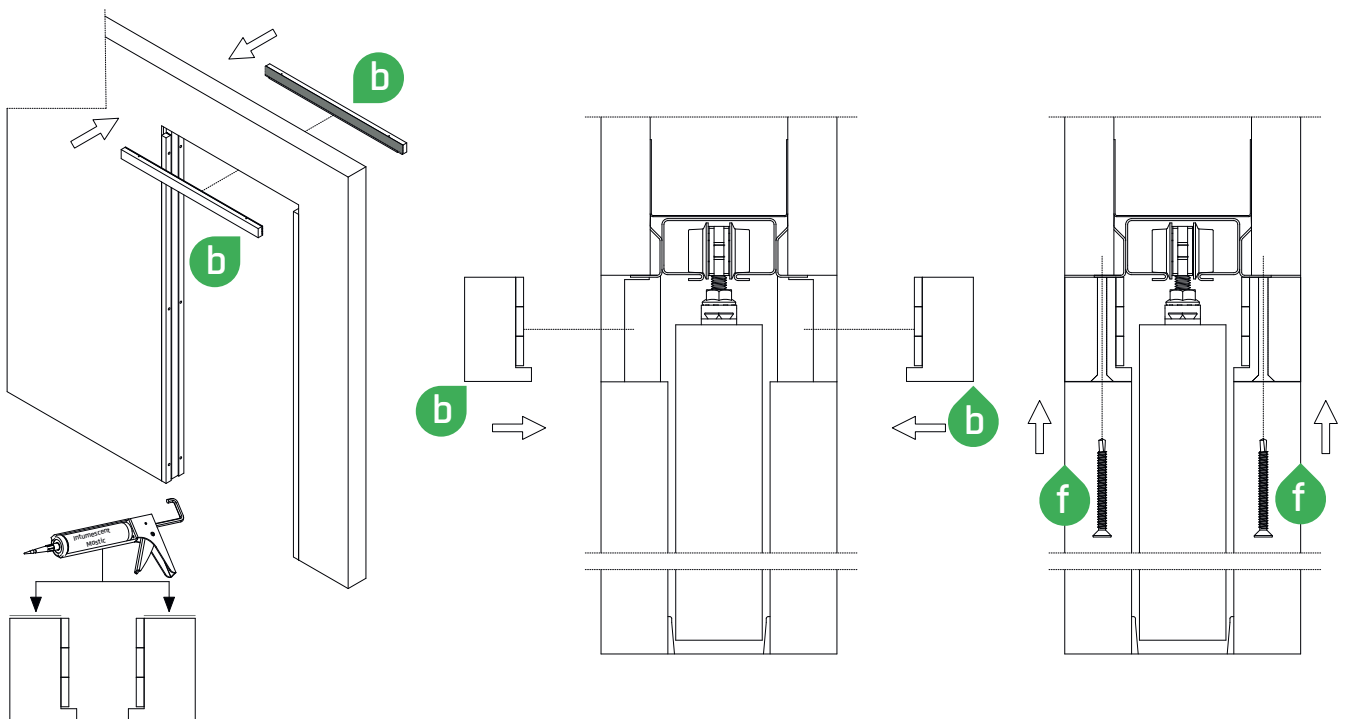
Cut the horizontal jamb to size



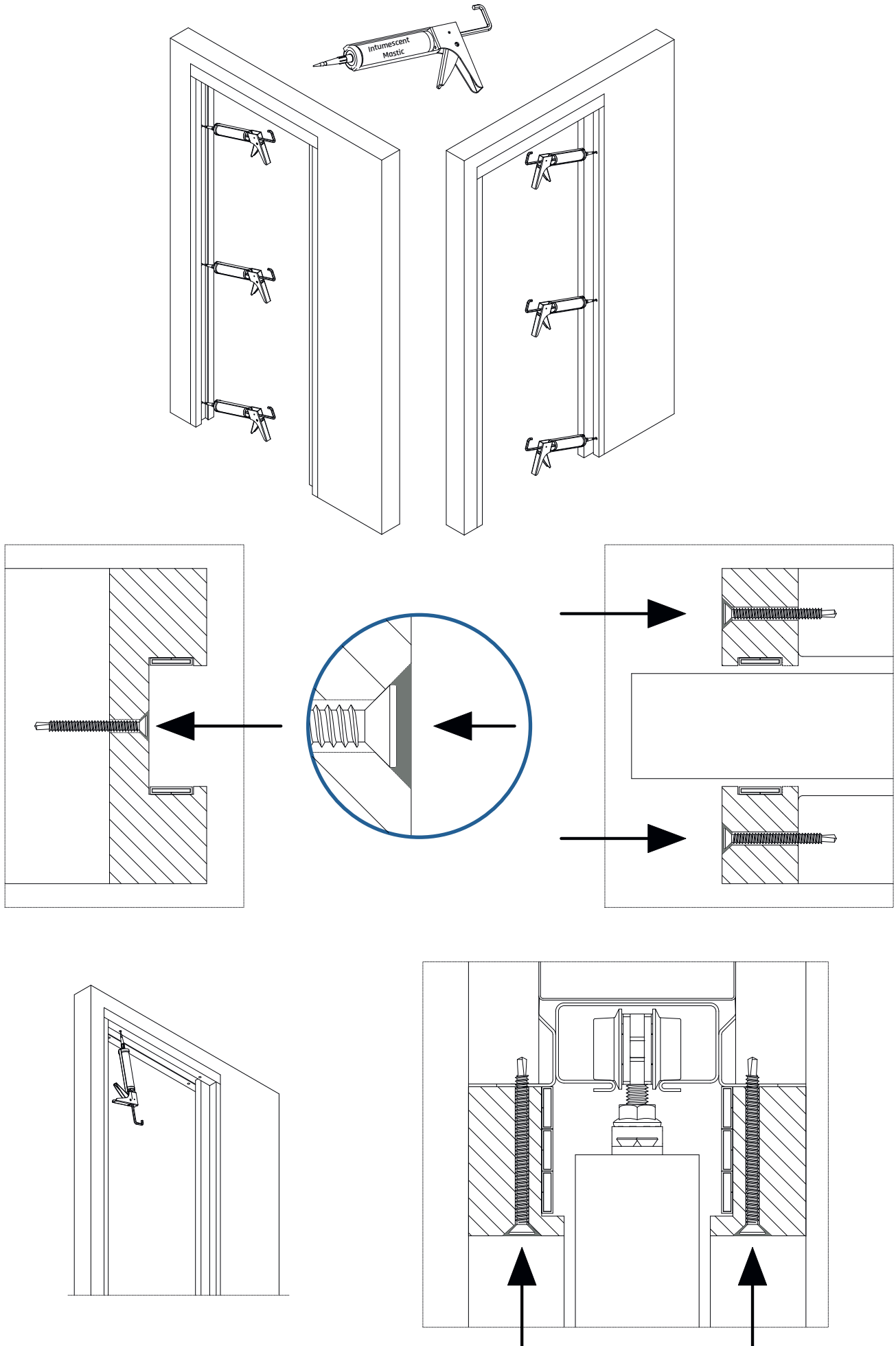
Apply the intumescent strips (e) and cut the exceeding part



Fix the horizontal jamb



Fill the screws holes with intumescent mastic/sealant





Rocket Door Frames - Unit 14 Priest Court - Springfield Ind Est - Grantham NG31 7FZ  
T: 03309980617 - [info@rocketdoorframes.co.uk](mailto:info@rocketdoorframes.co.uk) - [www.rocketdoorframes.co.uk](http://www.rocketdoorframes.co.uk)

NEED HELP? GIVE US A CALL 03309980617