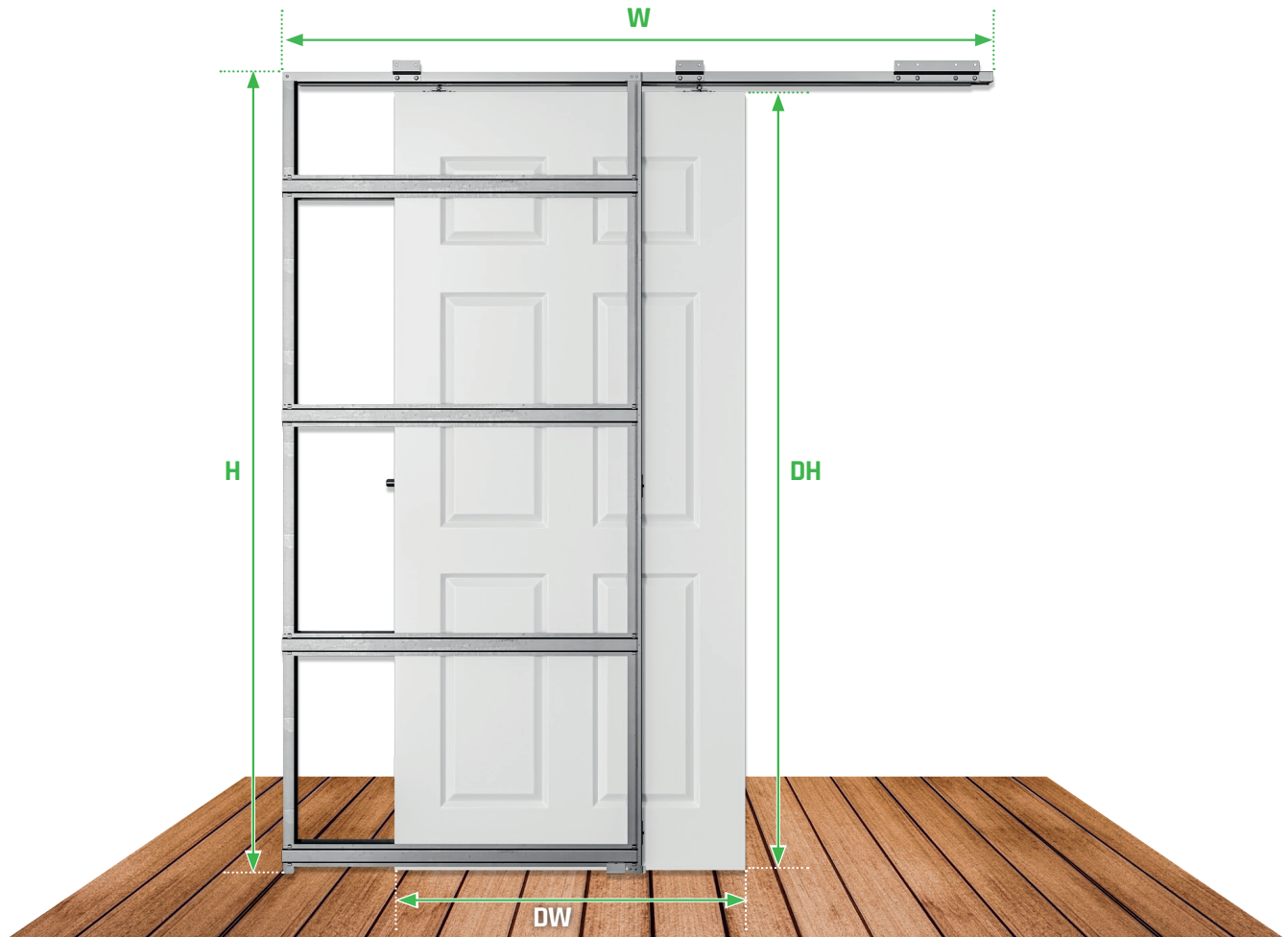




# Rocket Door Frames



## H measurement from finished floor level

- Install at finished floor level.
- To obtain a sliding pocket door with two leaves it's necessary to join n°2 single door kits.
- See page 4 for stud dimensions

DOOR PANEL		FRAME WIDTH	OVERALL DIMENSIONS			
			SINGLE DOOR		DOUBLE DOOR	
DW	DH		W	H	W	H
686	1981	75	1385	2042	2770	2042
762	1981		1537	2042	3074	2042
838	1981		1689	2042	3378	2042
726	2040		1464	2101	2928	2101
826	2040		1664	2101	3328	2101
926	2040		1864	2101	3728	2101

**Door Thickness: 35 - 44 mm - All dims in mm - Tolerance +/- 4 mm**

 **CAUTION**

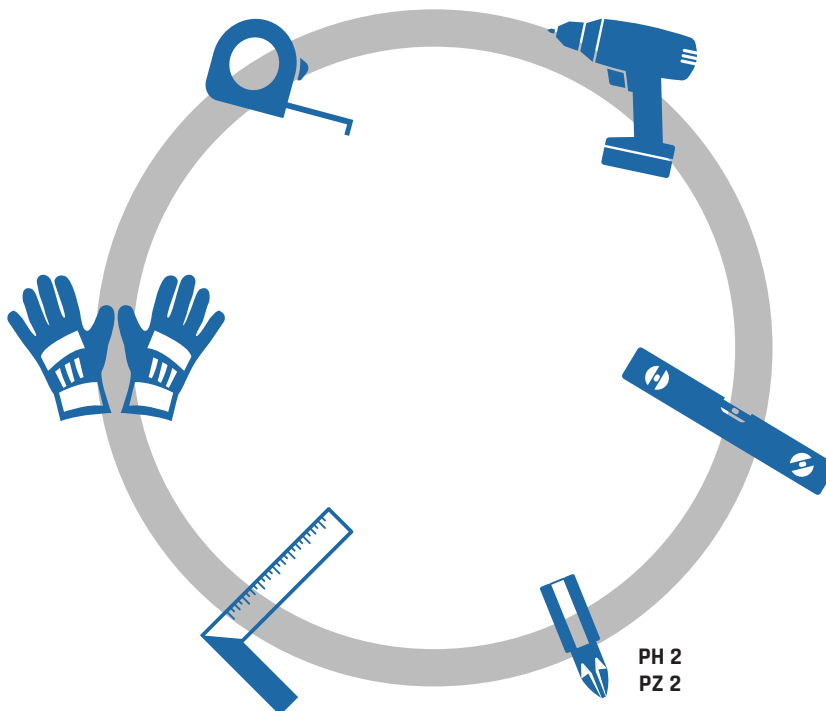
Please follow the instructions carefully as they have been designed to help you, don't skip any pages or stages as you may cause yourself problems. Use the correct tools and relevant protective clothing/eyewear, gloves are essential as there may be some sharp edges. A pair of trestles would be useful for the assembly.

**WANT TO SEE  
HOW IT'S DONE?**



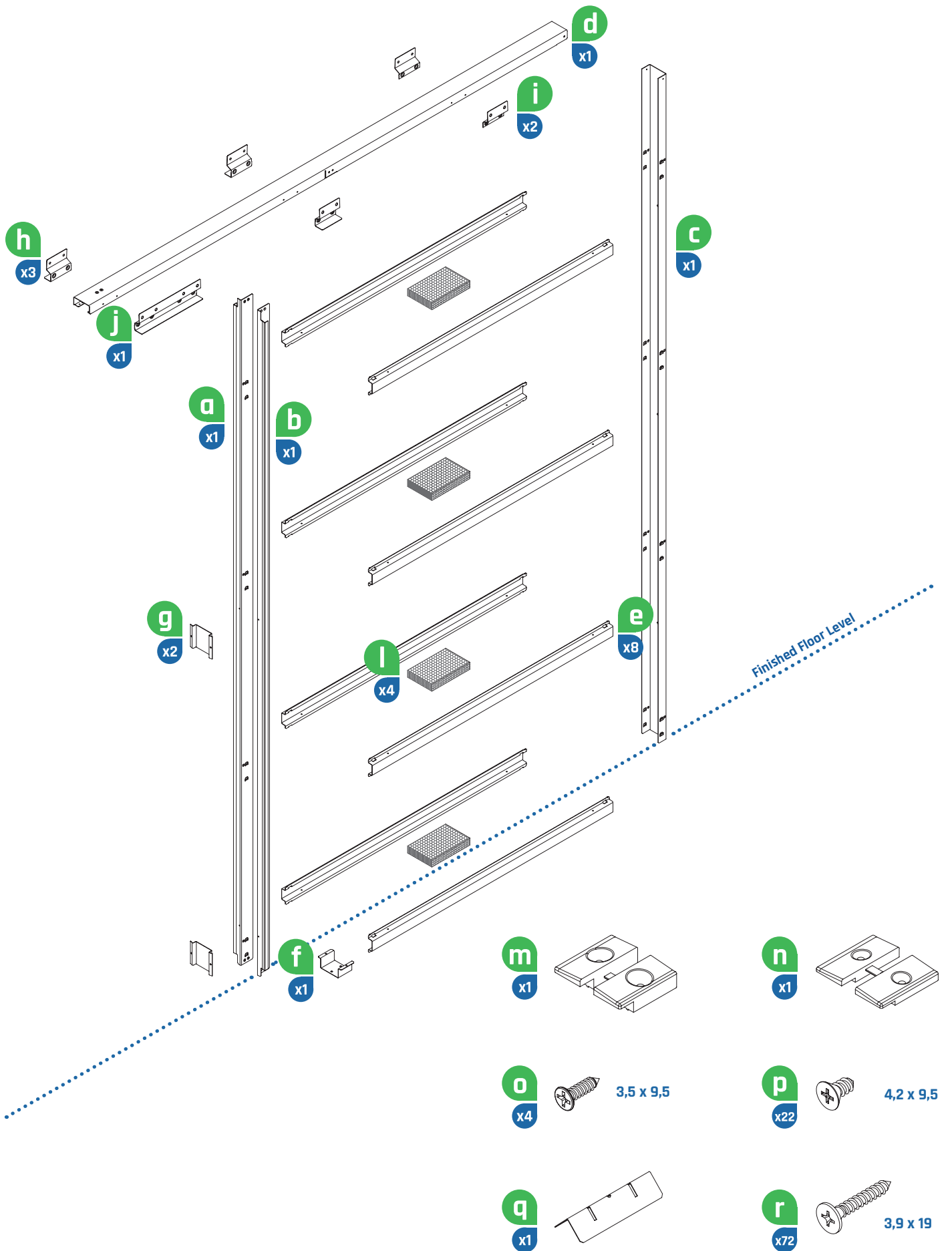
**GO TO [WWW.ROCKETDOORFRAMES.CO.UK](http://WWW.ROCKETDOORFRAMES.CO.UK)  
TO SEE THE INSTALLATION VIDEO**

**TOOLS REQUIRED**



# CONTENTS

EACH KIT CONTAINS:



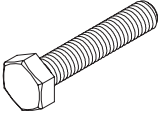
# CONTENTS

EACH KIT CONTAINS:

aa  
x2



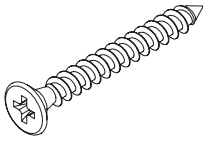
bb  
x2



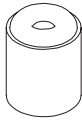
cc  
x2



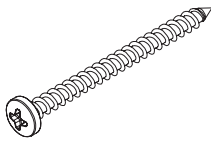
dd  
x8



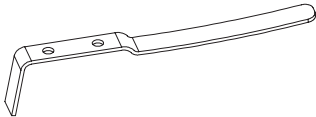
ee  
x1



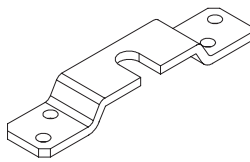
ff  
x1



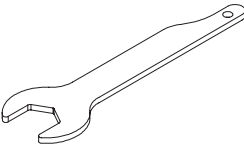
gg  
x1



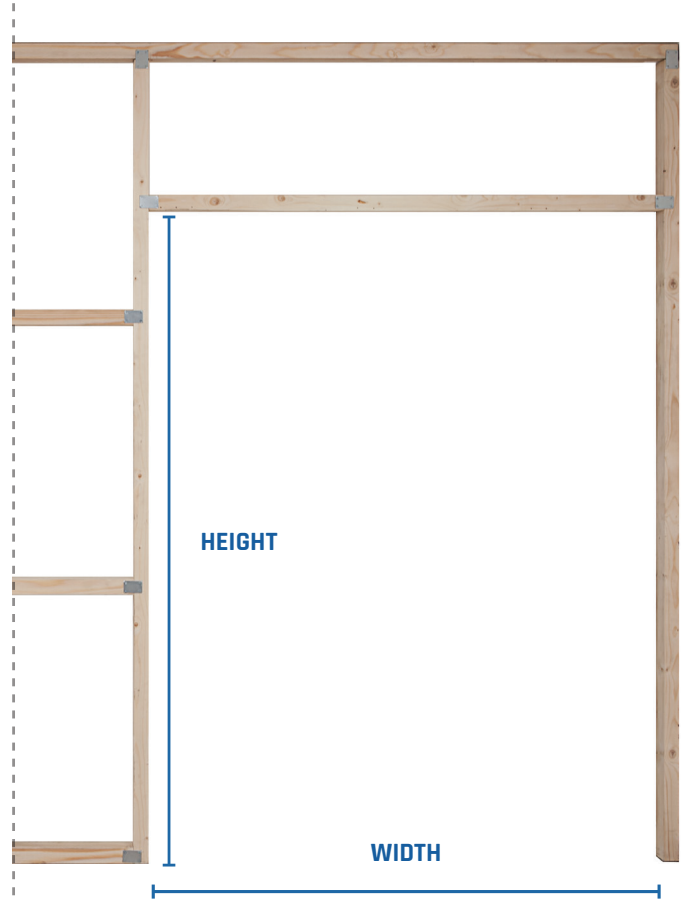
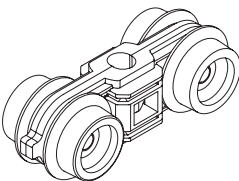
hh  
x2



ii  
x2



ll  
x2

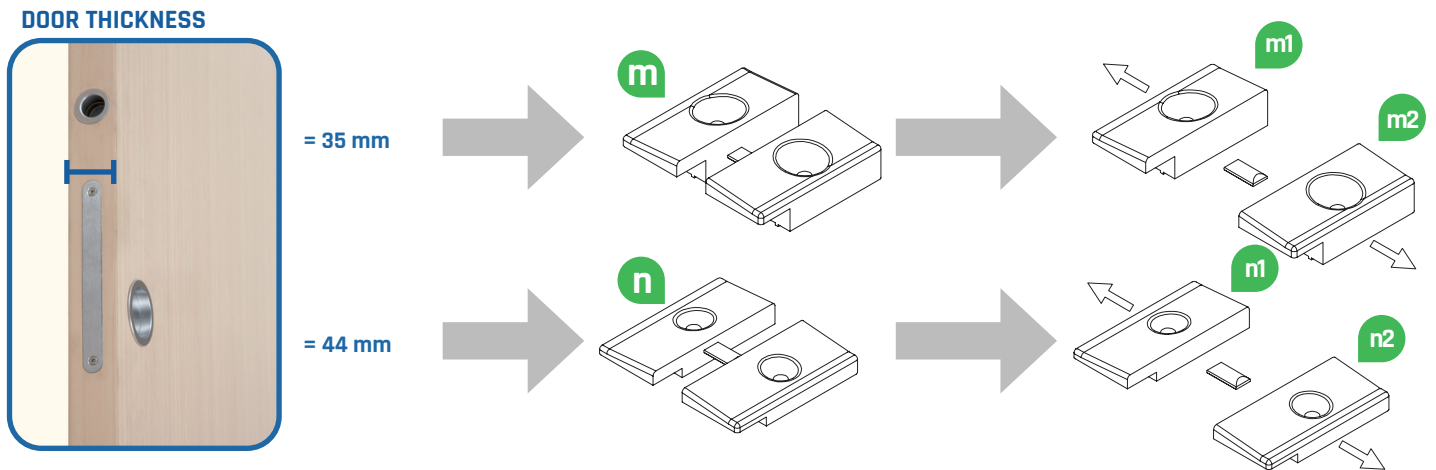


If installing in a 100mm stud please call us on 03309980617

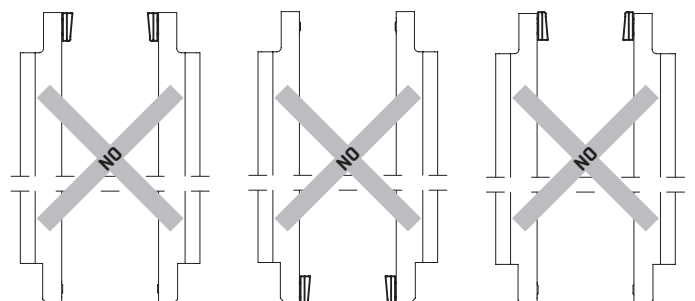
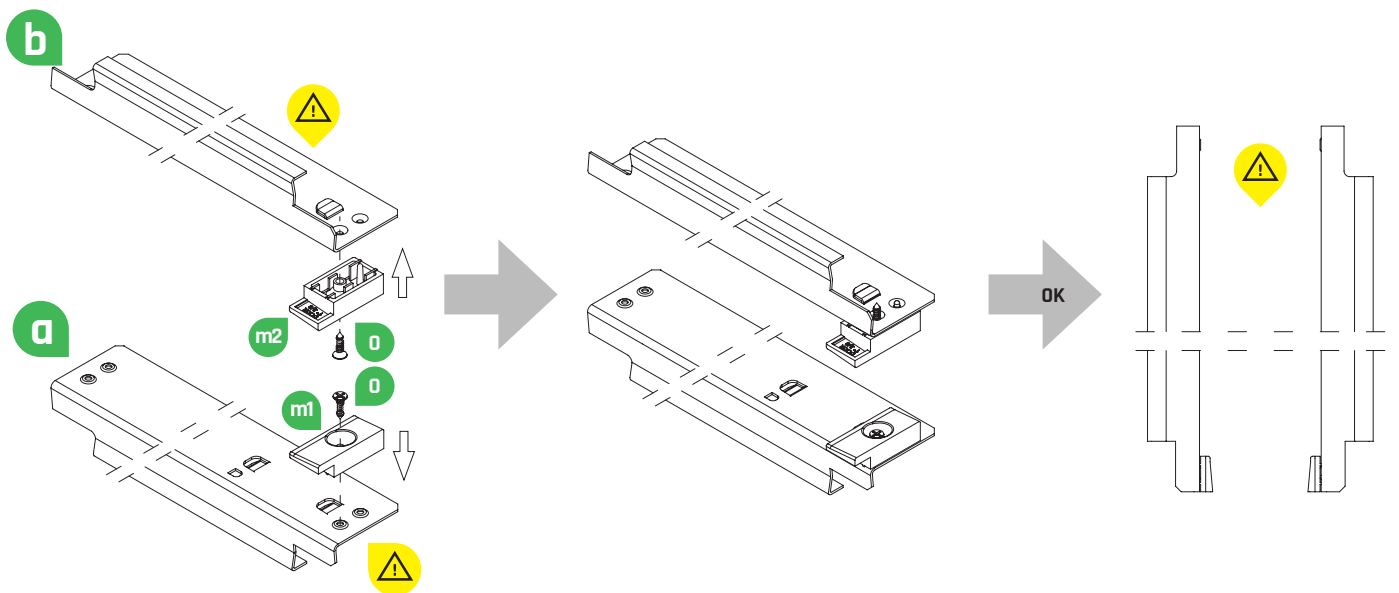
DOOR PANEL		OVERALL DIMENSIONS			
		SINGLE DOOR		DOUBLE DOOR	
DW	DH	W	H	W	H
686	1981	1385	2042	2770	2042
762	1981	1537	2042	3074	2042
838	1981	1689	2042	3378	2042
726	2040	1464	2101	2928	2101
826	2040	1664	2101	3328	2101
926	2040	1864	2101	3728	2101

Door Thickness: 35 - 44 mm - All dims in mm - Tolerance +/- 4 mm

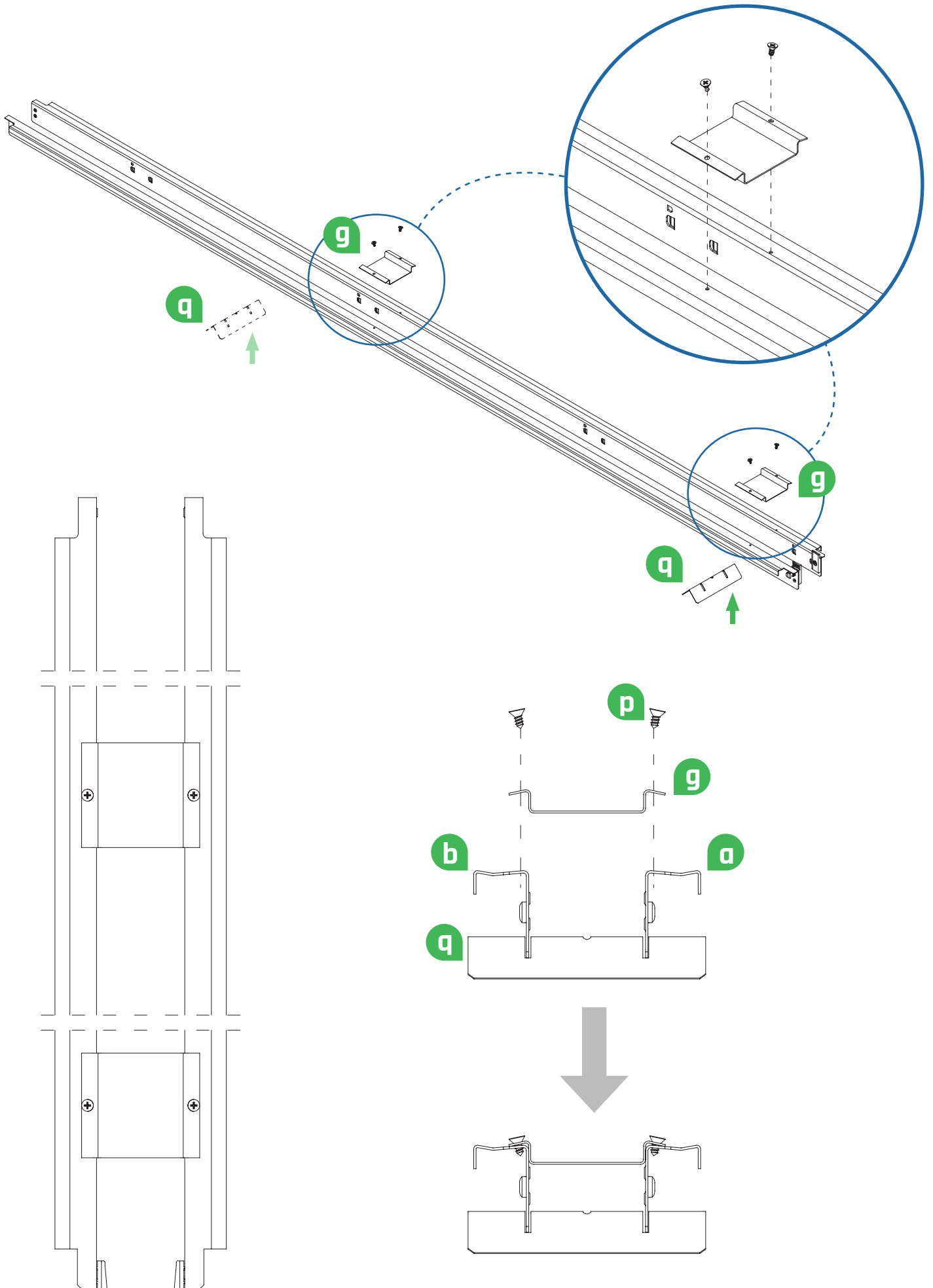
# CHOOSING THE DOOR GUIDE FOR WOODEN DOORS ONLY

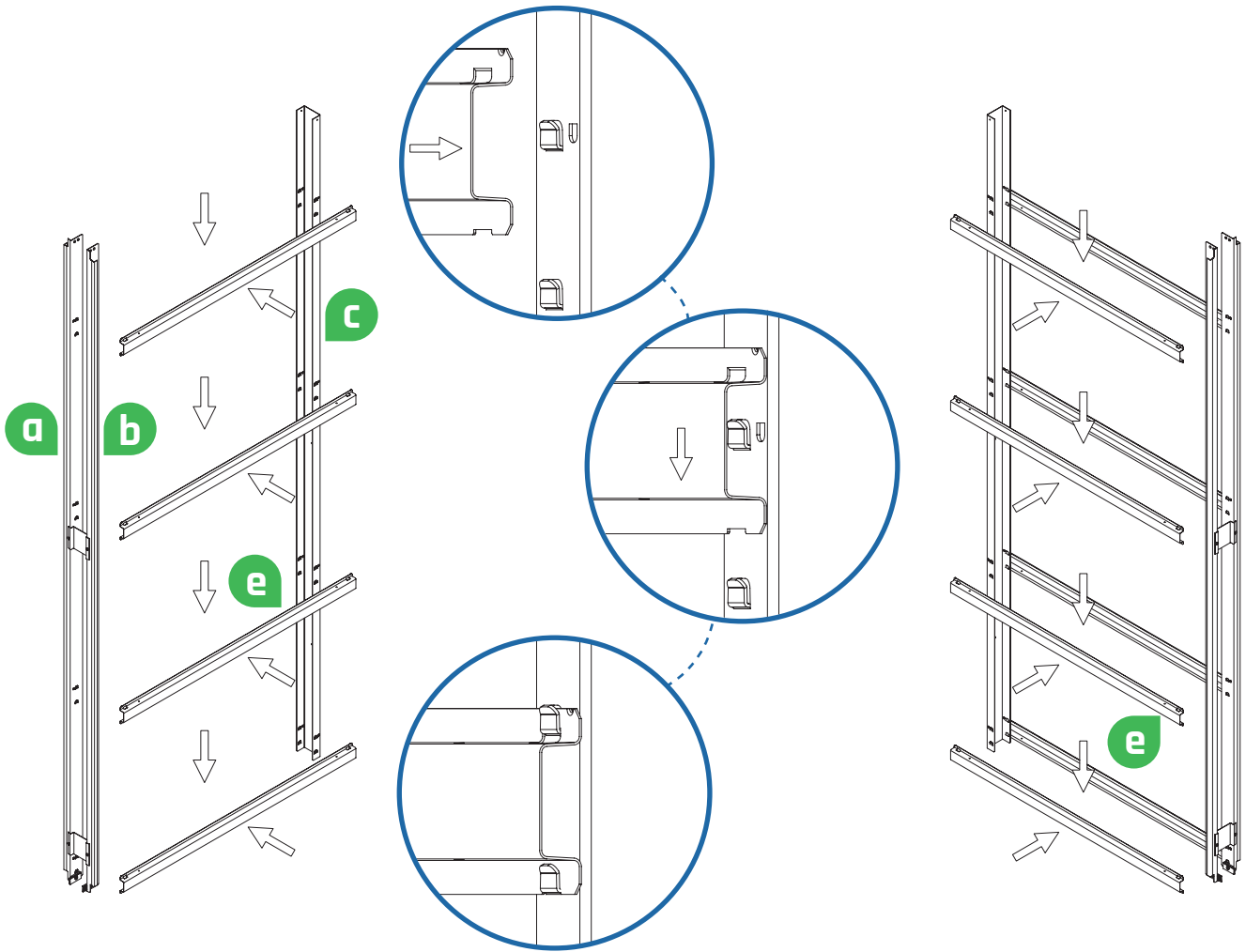


## FOR EXAMPLE 35 mm THICK DOOR

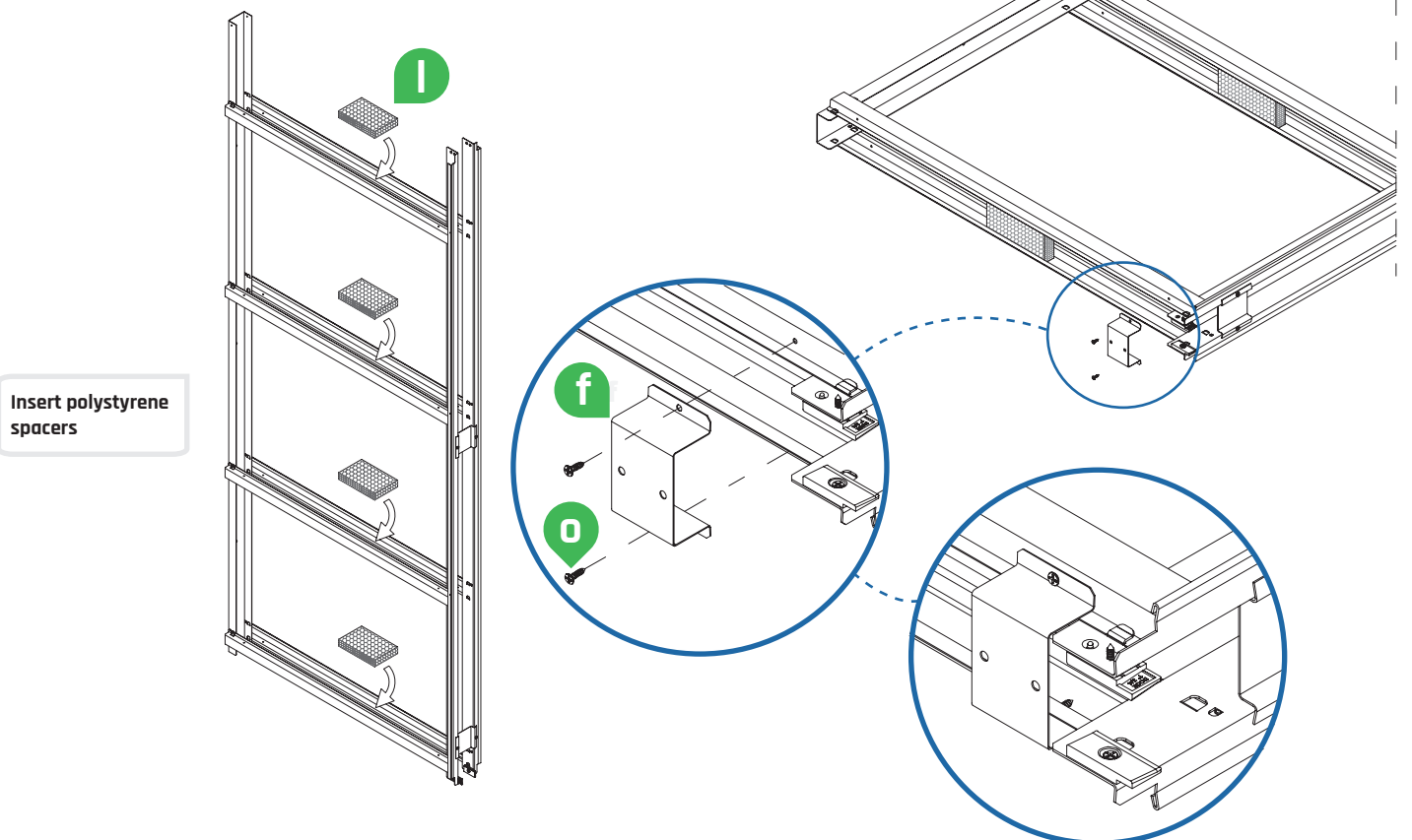


## ATTACHING THE BRACKETS



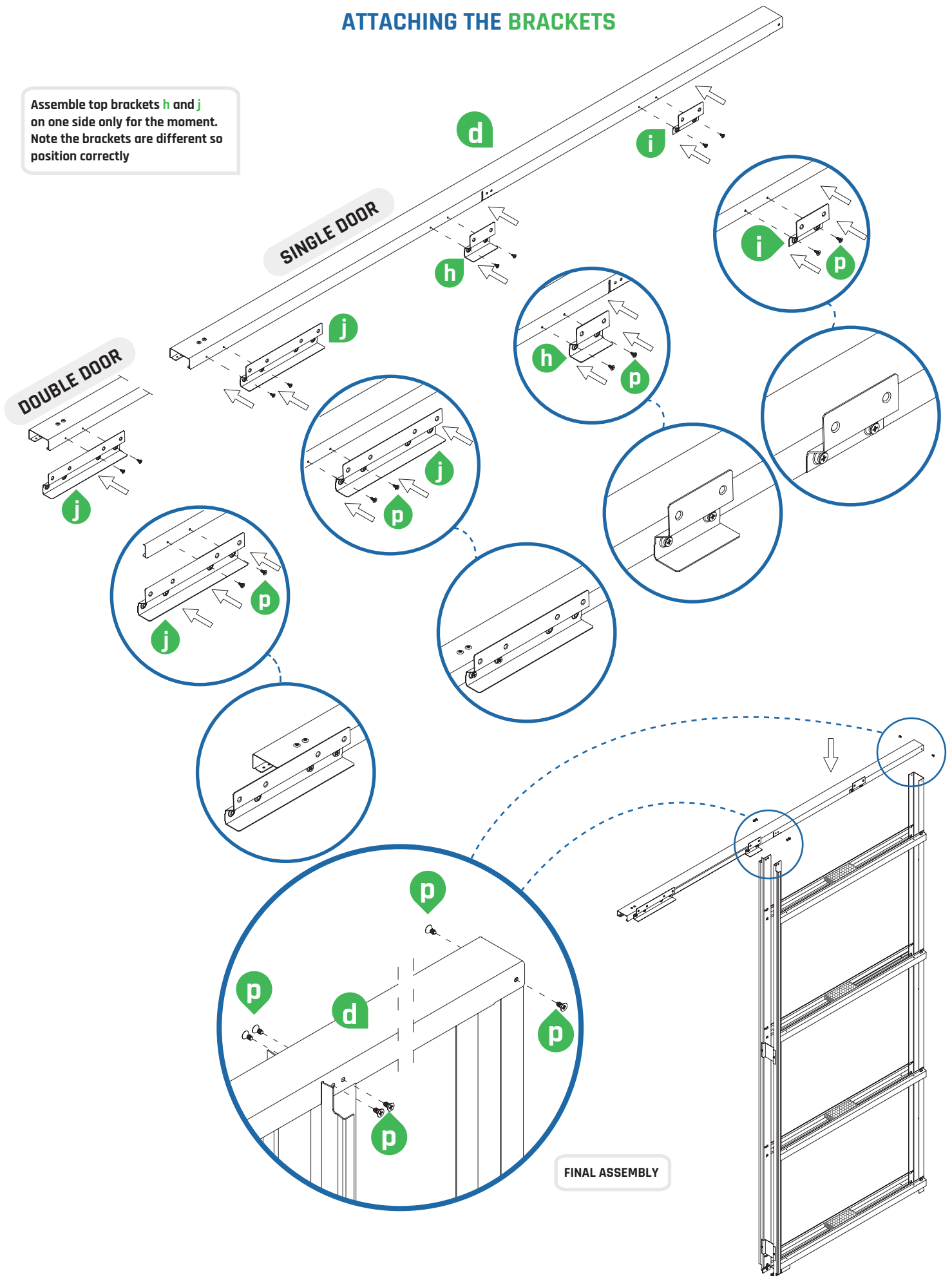


## FRAME ASSEMBLING



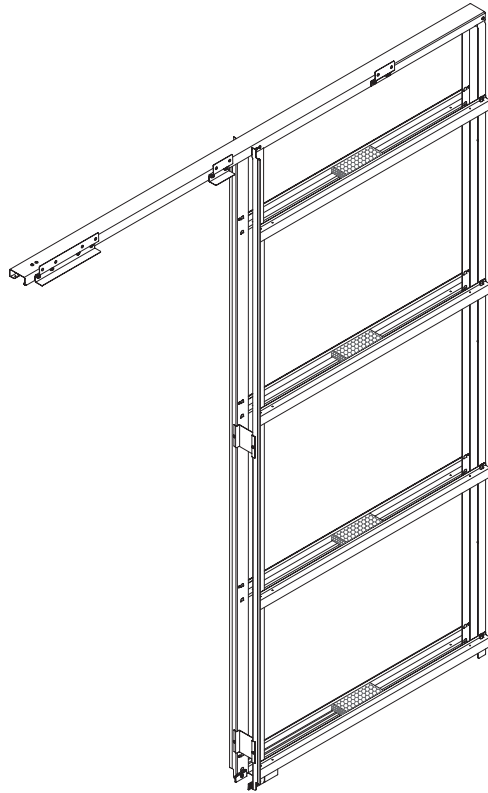
## ATTACHING THE BRACKETS

Assemble top brackets **h** and **j** on one side only for the moment. Note the brackets are different so position correctly

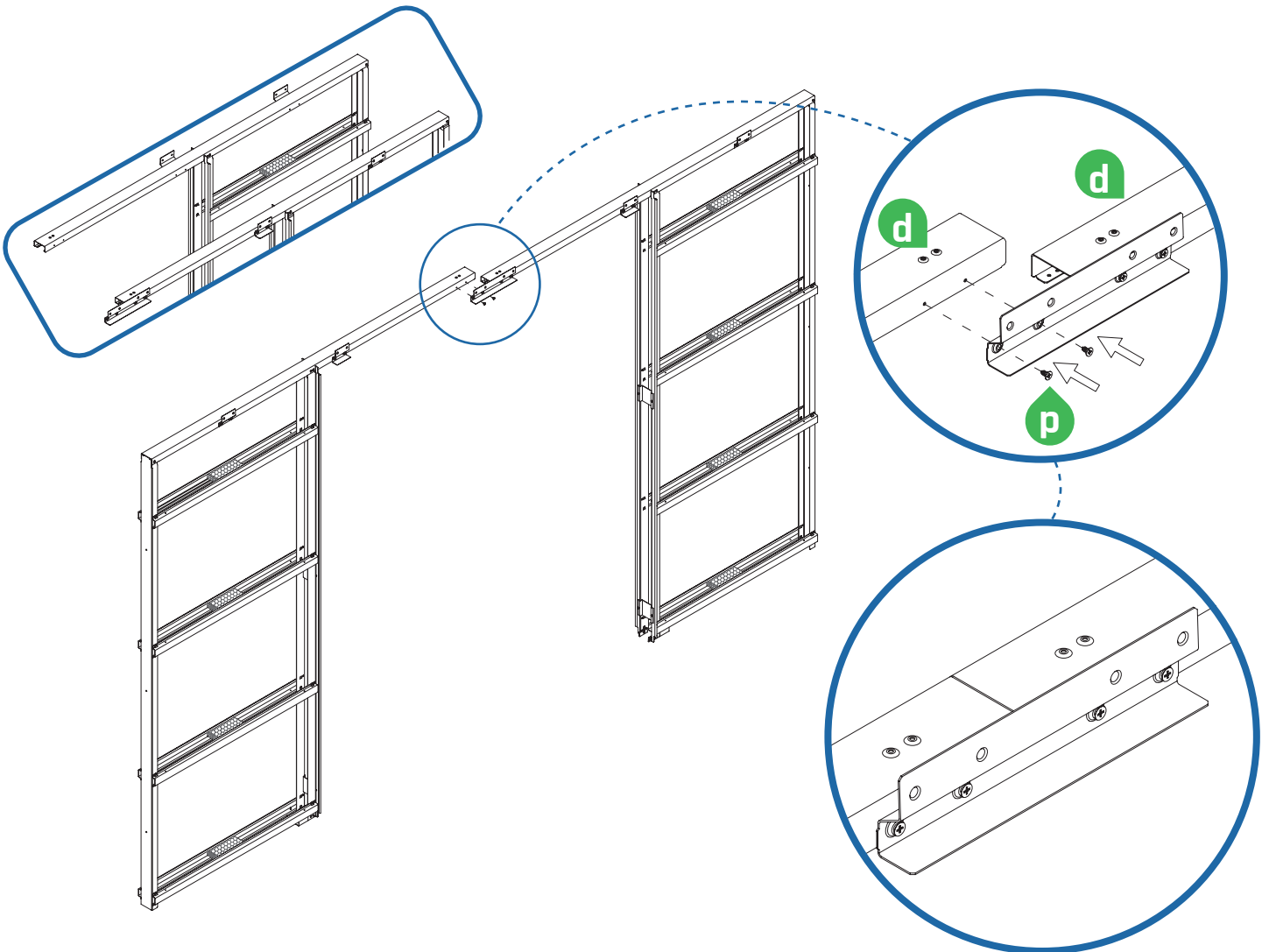




## SINGLE DOOR

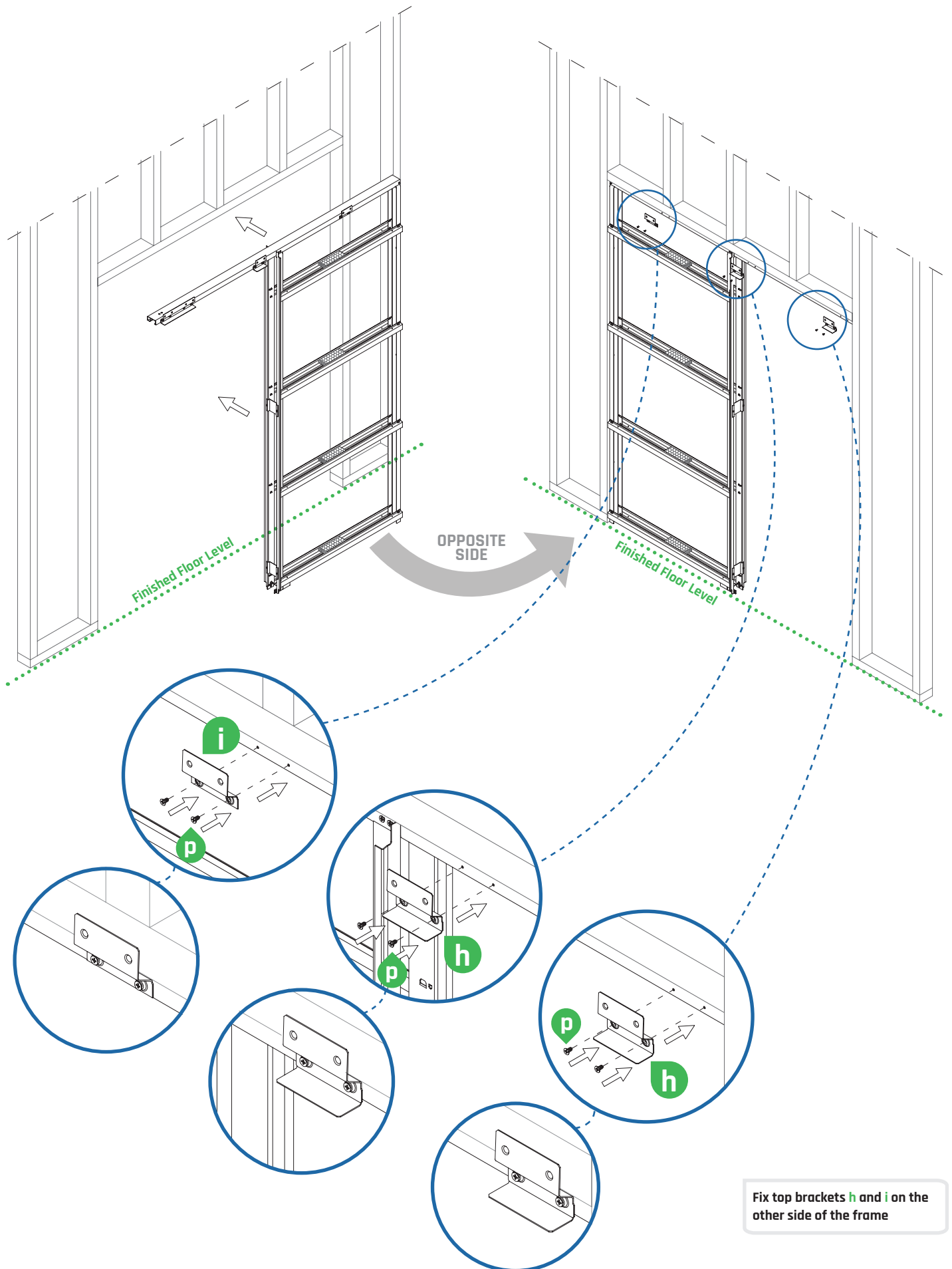


## DOUBLE DOOR



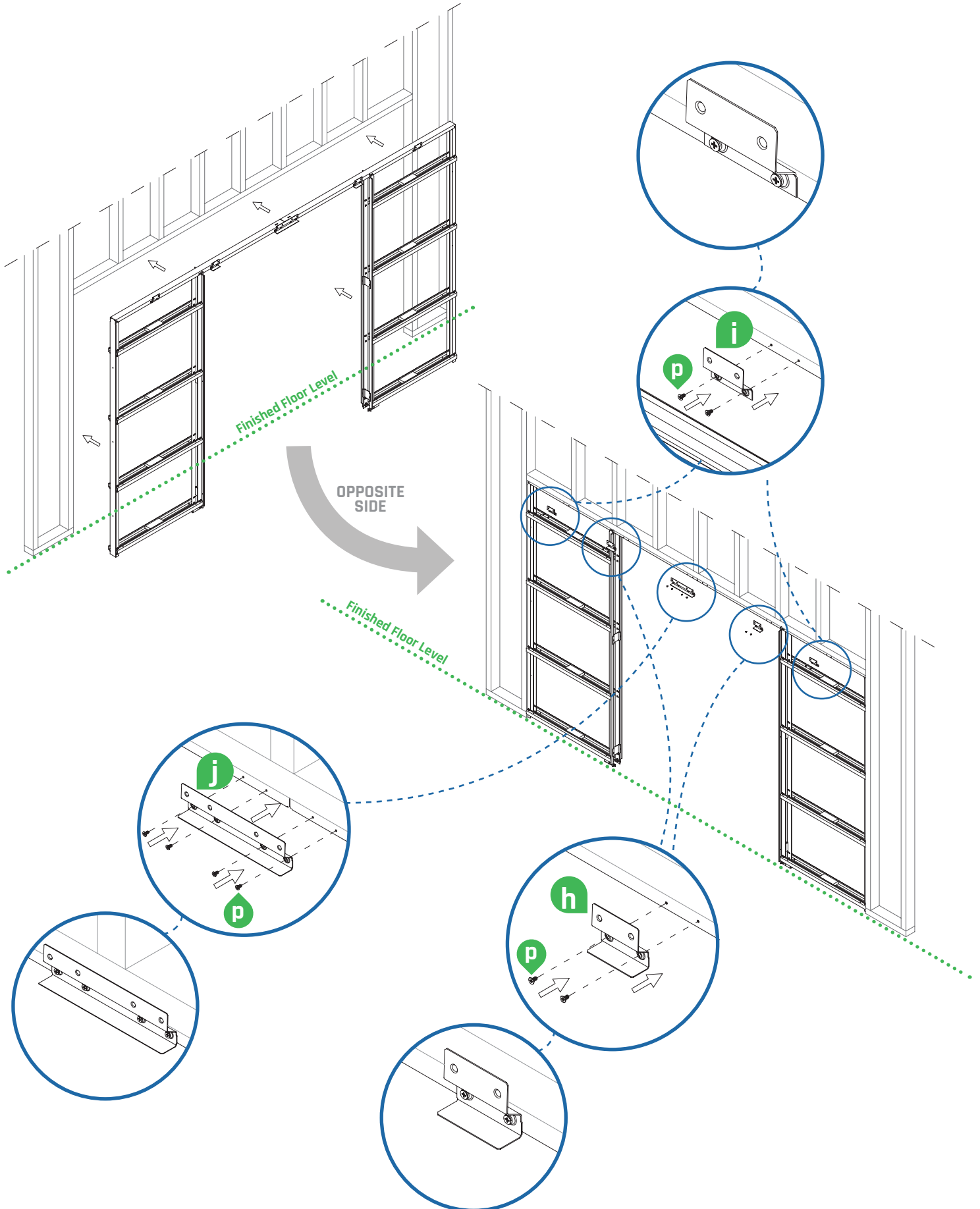
# INSTALLING IN STUDWORK

## SINGLE DOOR



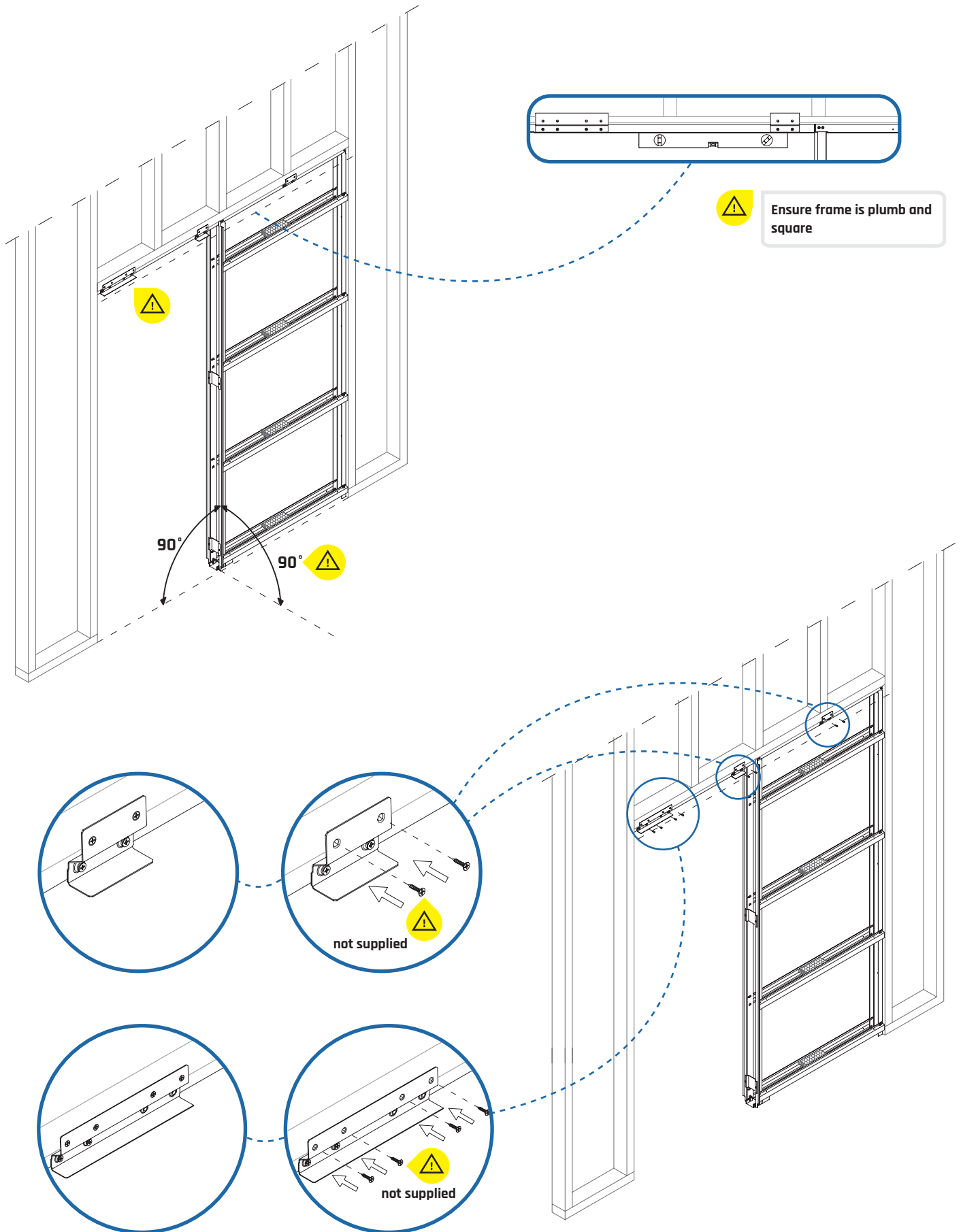
# INSTALLING IN STUDWORK

## DOUBLE DOOR



# INSTALLING IN STUDWORK

## SINGLE DOOR

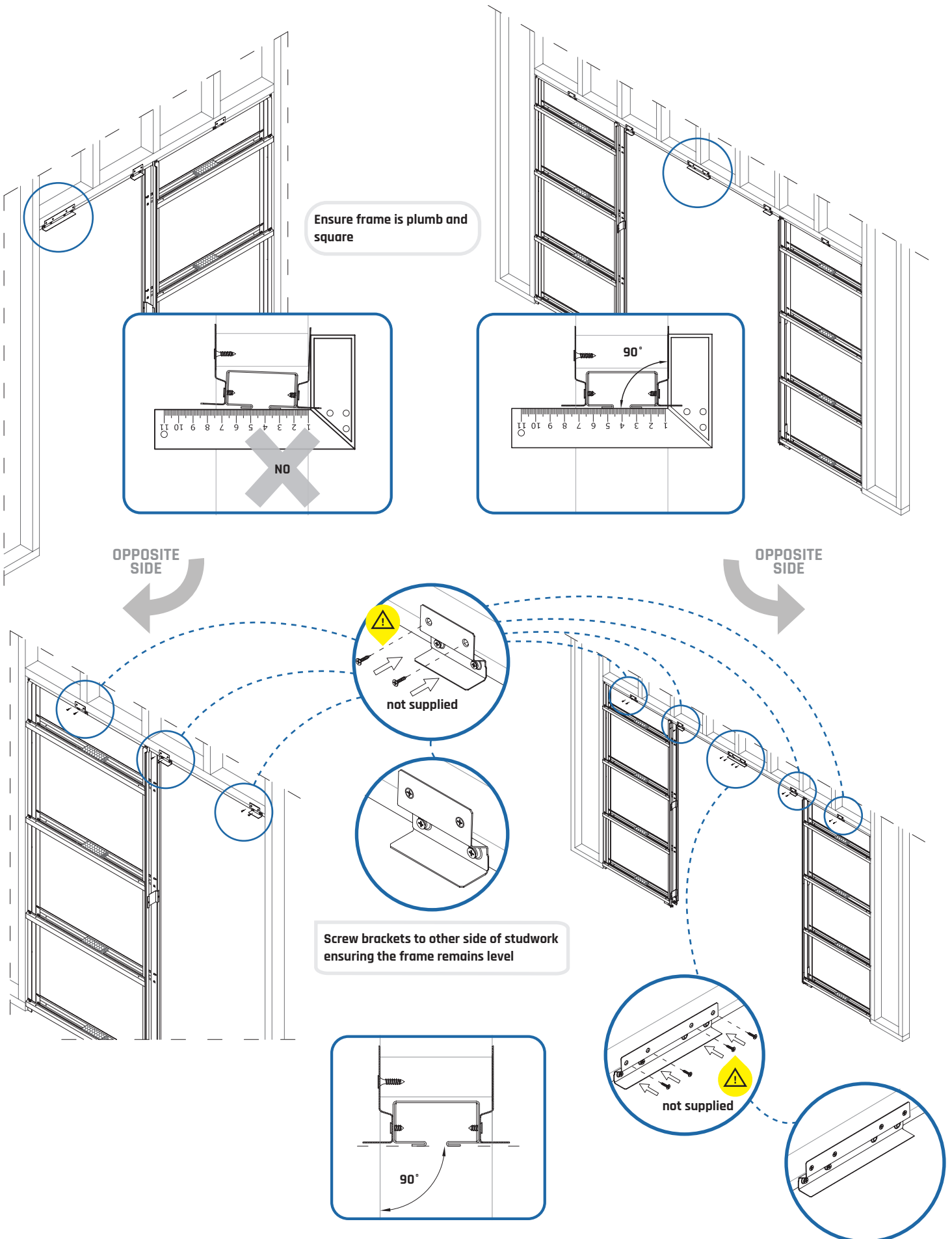




# INSTALLING IN STUDWORK

## SINGLE DOOR

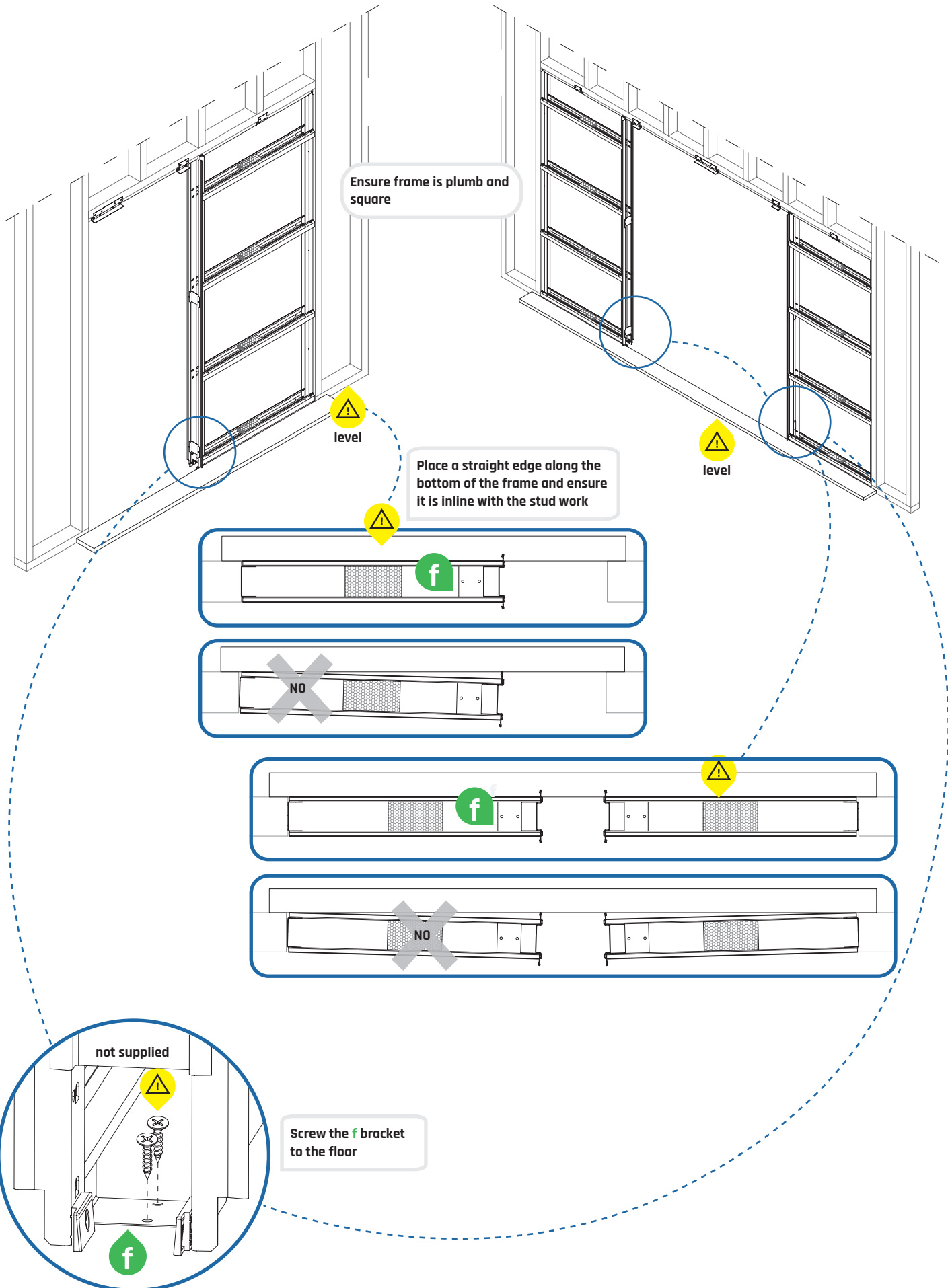
## DOUBLE DOOR



# INSTALLING IN STUDWORK

## SINGLE DOOR

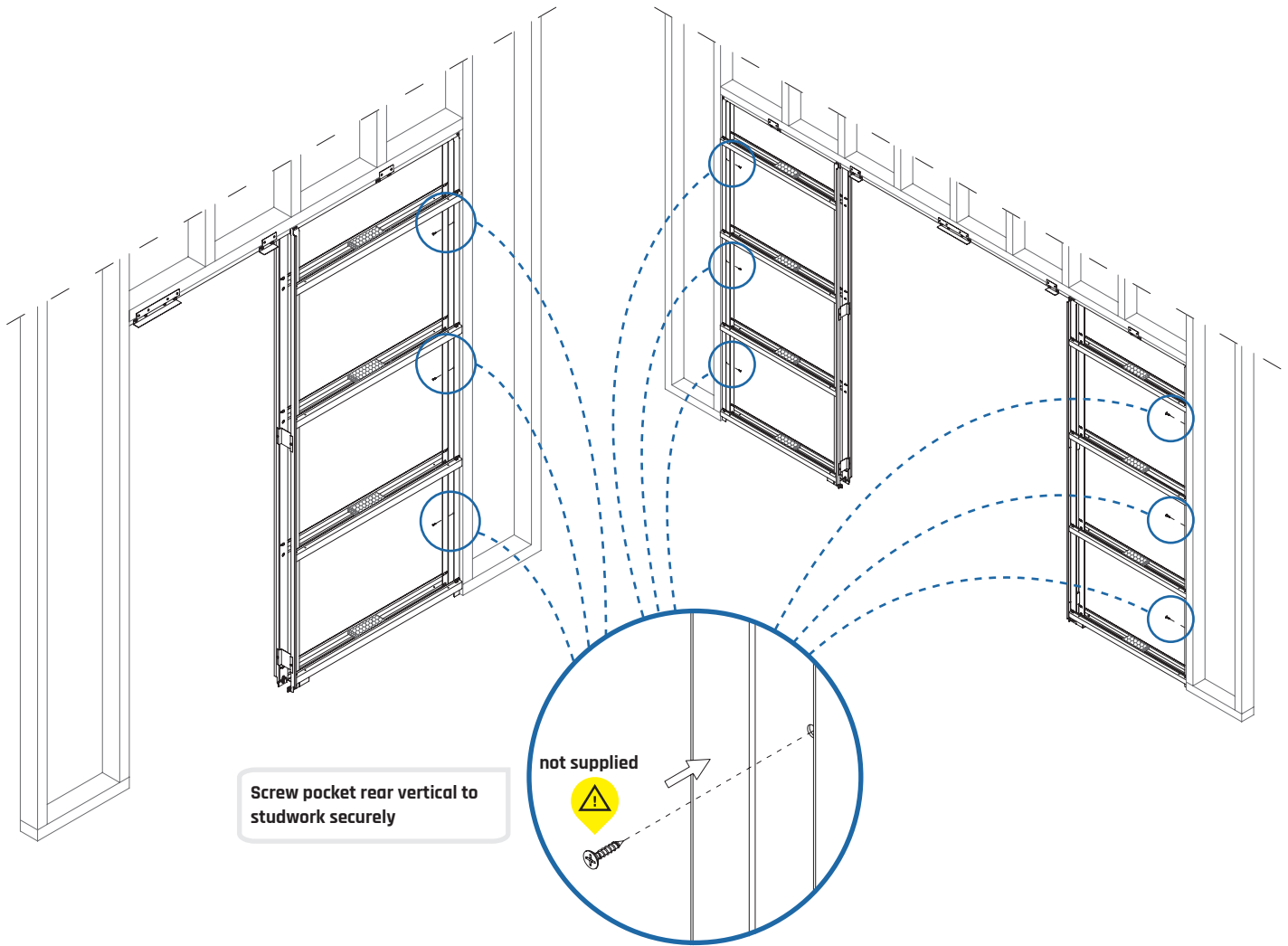
## DOUBLE DOOR



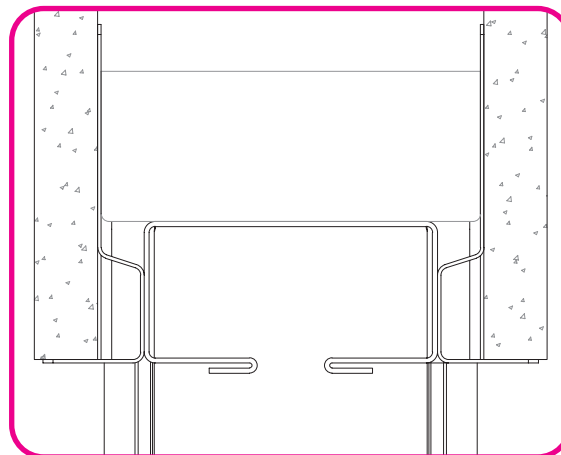
## SCREWING THE REAR VERTICAL TO THE STUDWORK

SINGLE DOOR

DOUBLE DOOR



x2



CAREFULLY CLEAN THE TRACK TWICE

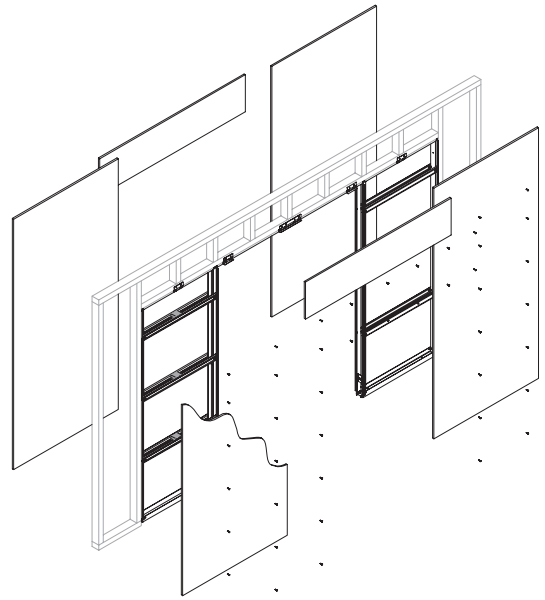
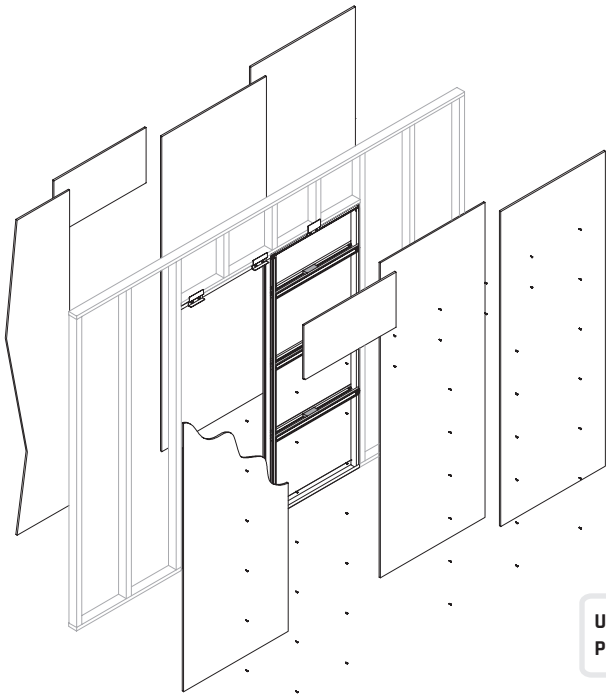
IF INSTALLING A GLASS DOOR PLEASE REFER TO THE GLASS DOOR INSTRUCTIONS LOCATED IN THE GLASS DOOR



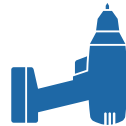
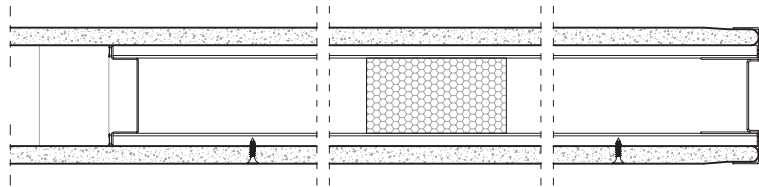
# FIXING THE PLASTERBOARD

## SINGLE DOOR

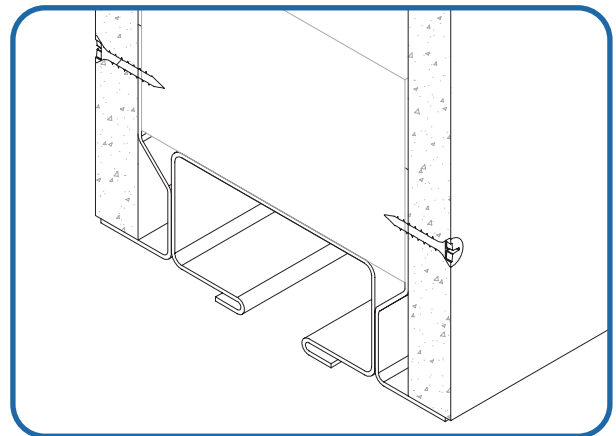
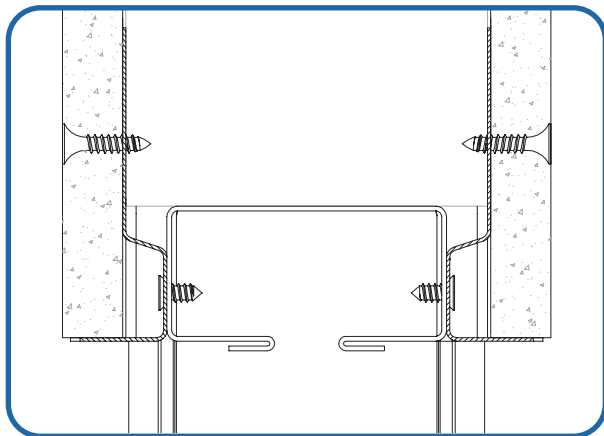
## DOUBLE DOOR



USE 12.5 mm  
PLASTERBOARD



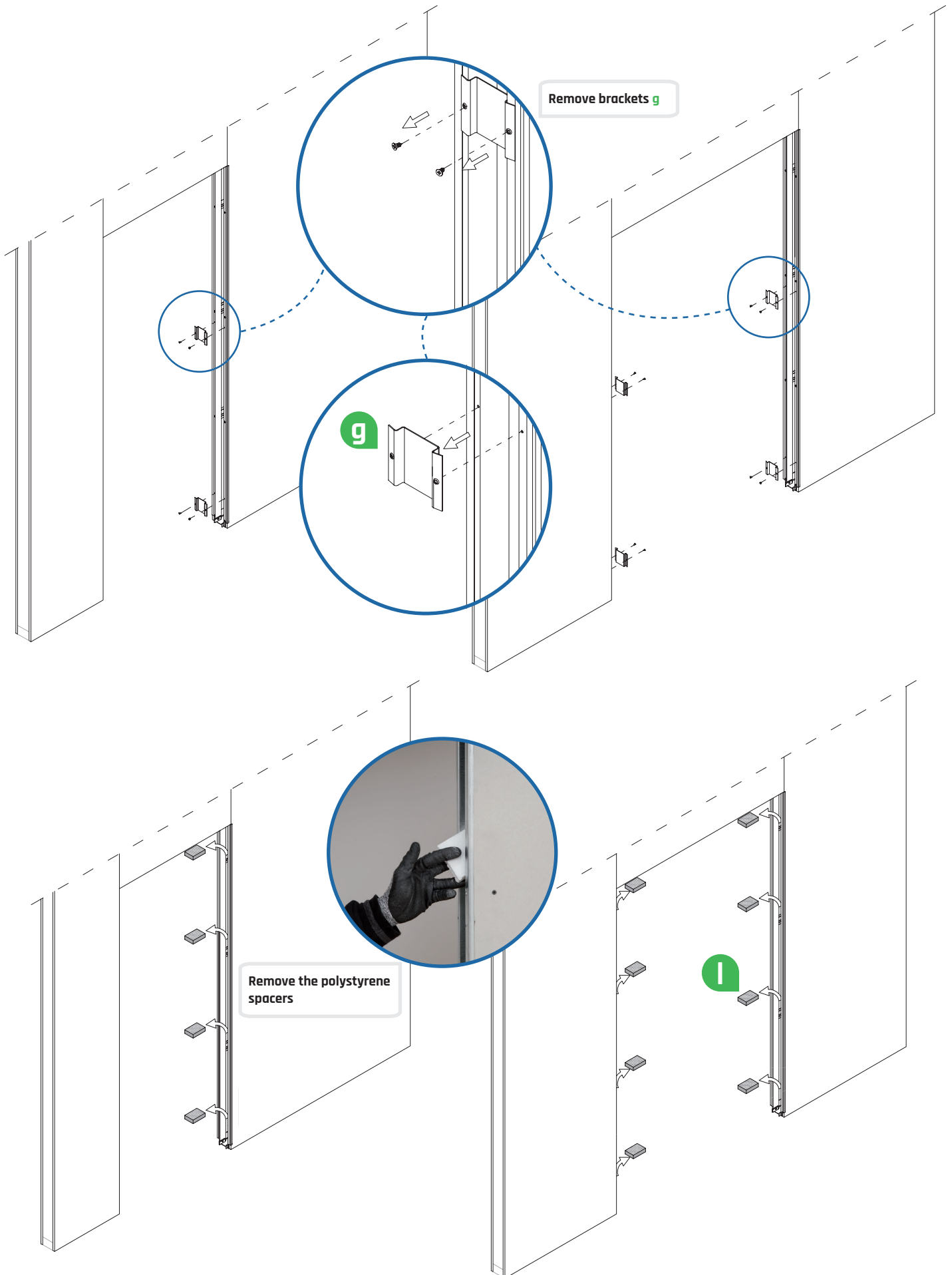
Use supplied  
19 mm screws



## REMOVING BRACKETS AND SPACERS

SINGLE DOOR

DOUBLE DOOR



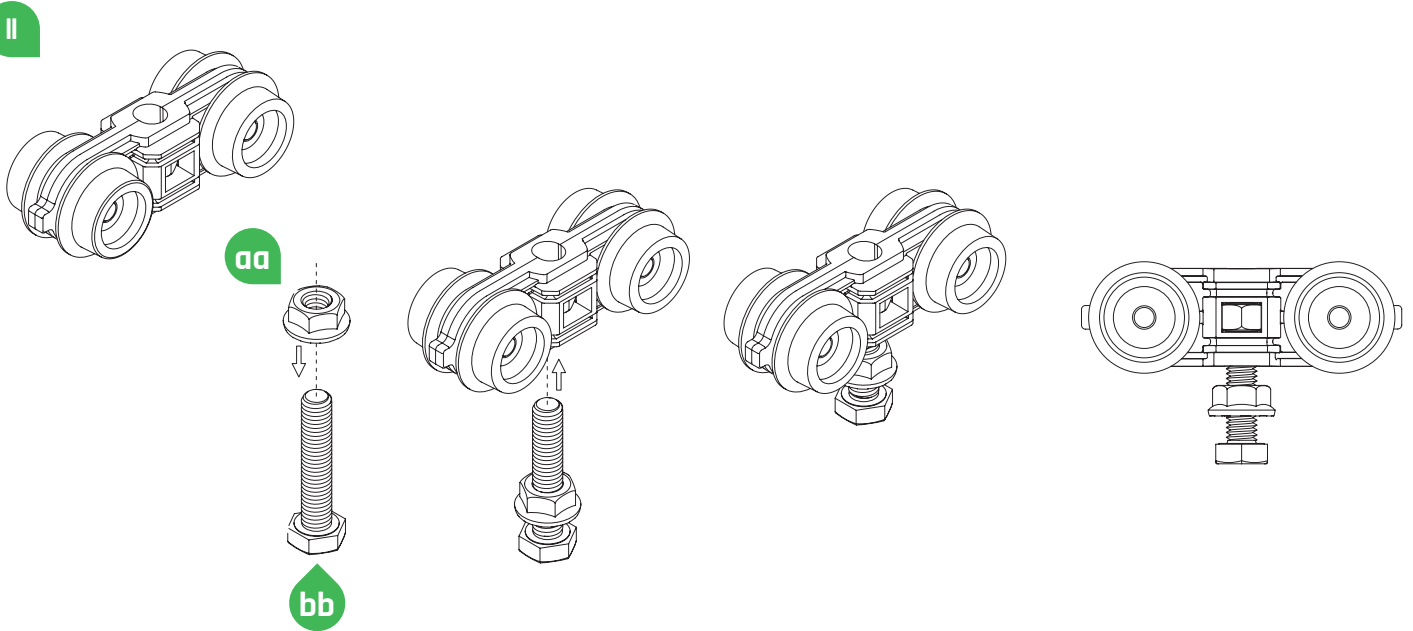
## RUNNERS ASSEMBLING

X2

SINGLE DOOR

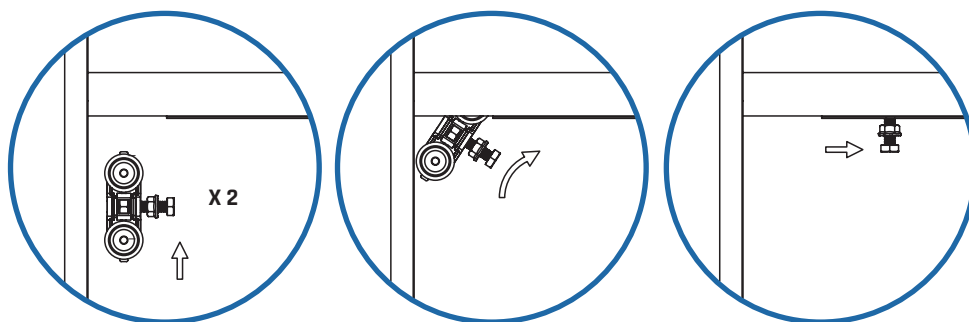
X4

DOUBLE DOOR

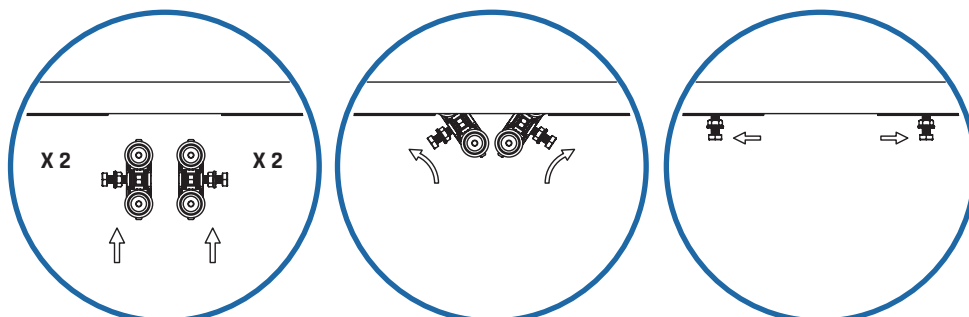


## INSERT RUNNERS INTO TRACK

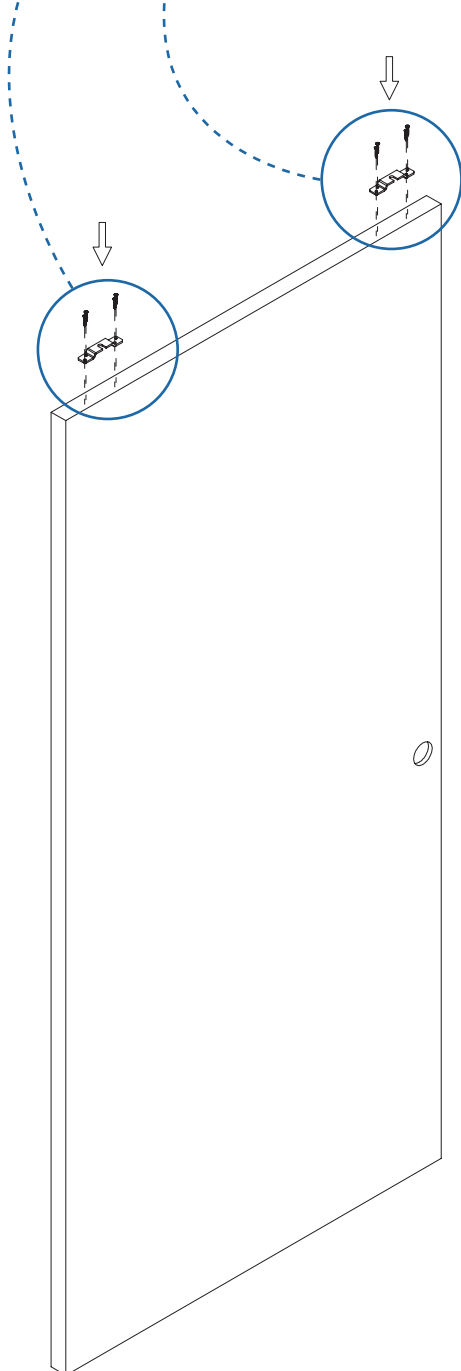
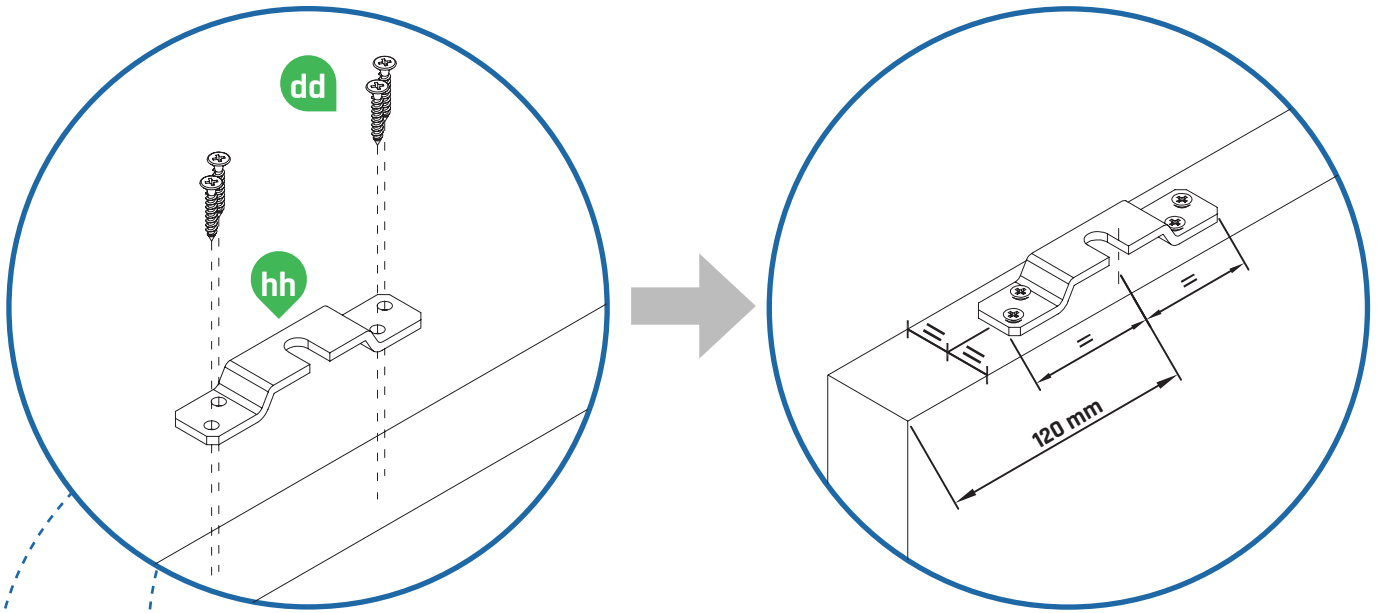
SINGLE DOOR



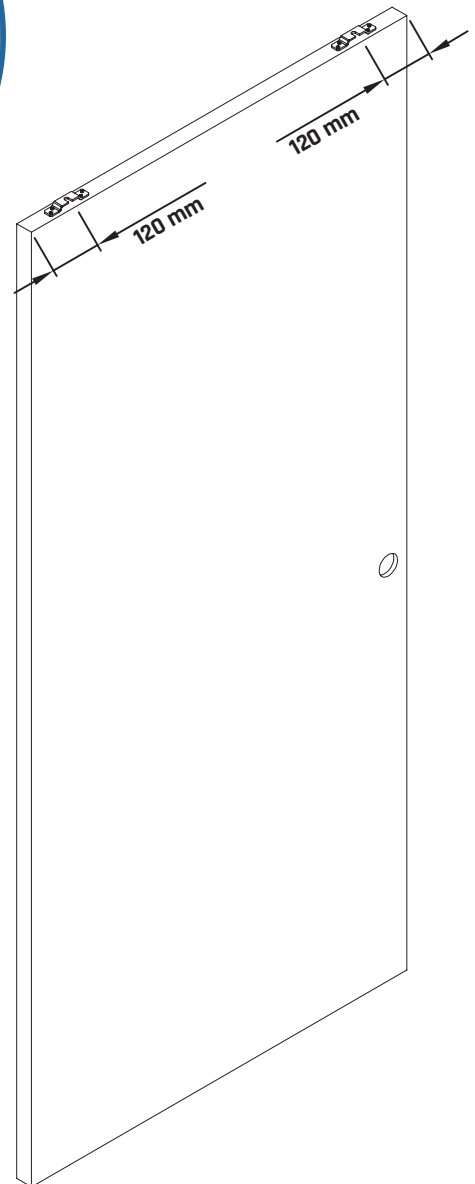
DOUBLE DOOR



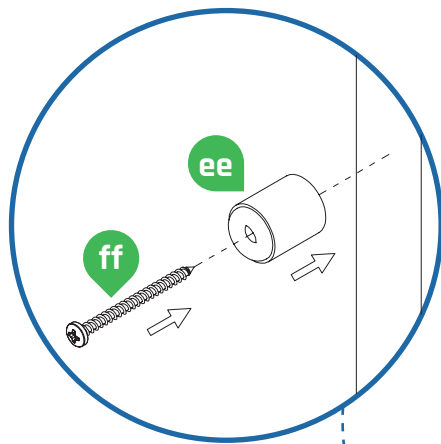
## INSTALLING DOOR BRACKETS



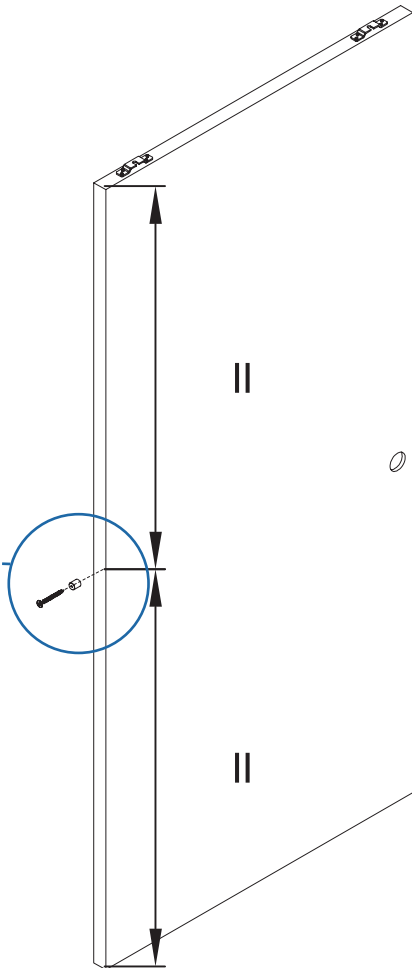
**IMPORTANT:**  
for double doors position  
front bracket on each door at  
90 mm instead of 120 mm.



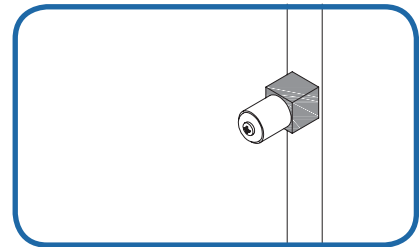
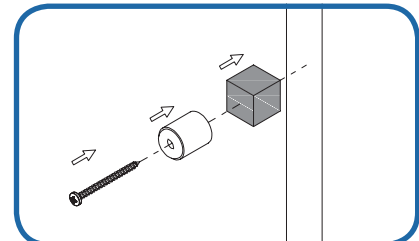
## INSTALLING REAR DOOR BUMPER



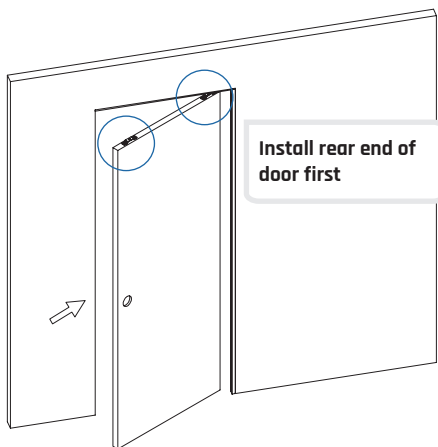
Screw in front doorstop using supplied screws and pre drilled holes



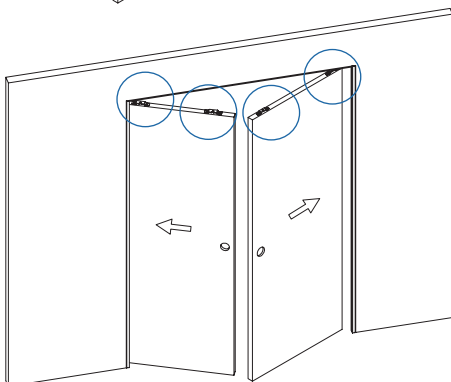
If you wish to adjust the door to protrude from the pocket when fully open, you need to add a distance piece between the rear of the door and the rubber bumper. We recommend this when using flush pulls to eliminate the risk of trapped fingers.



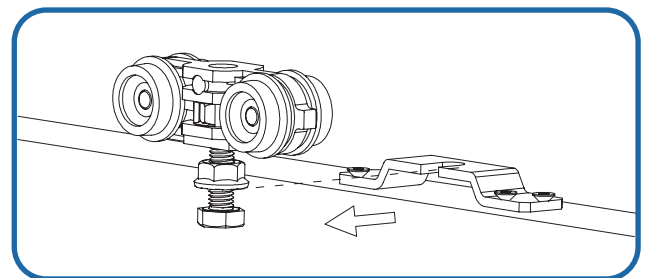
## INSTALLING DOOR PANEL



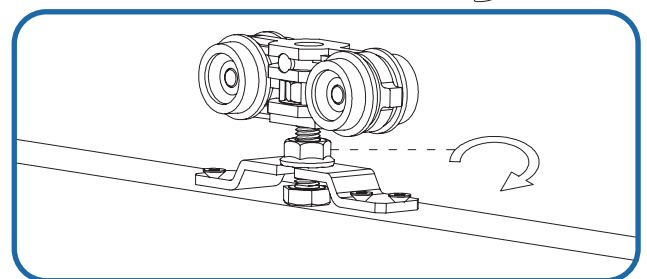
Install rear end of door first



Adjust door height to be 7 mm above the floor and lock into position with by tightening lock nut

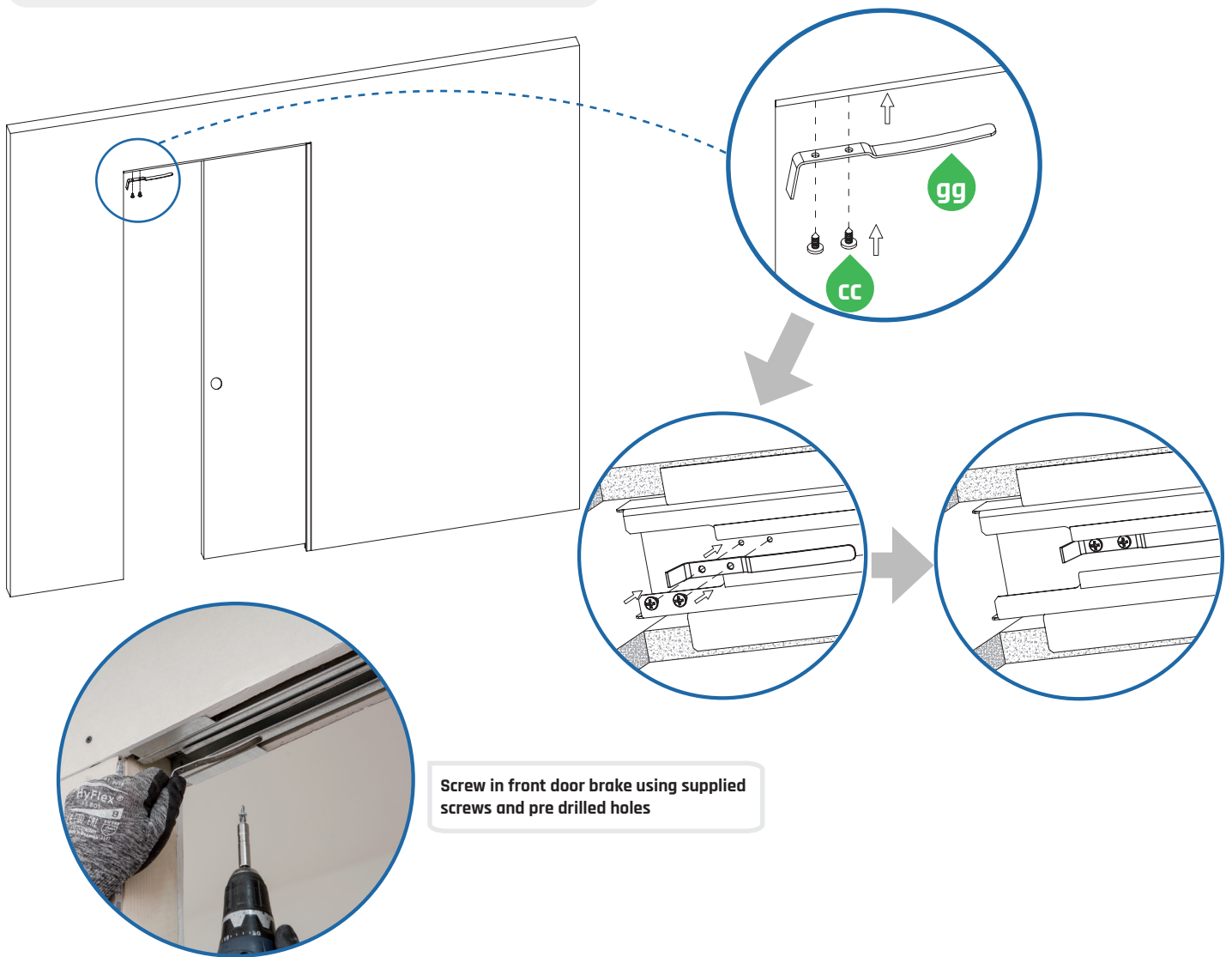


ii

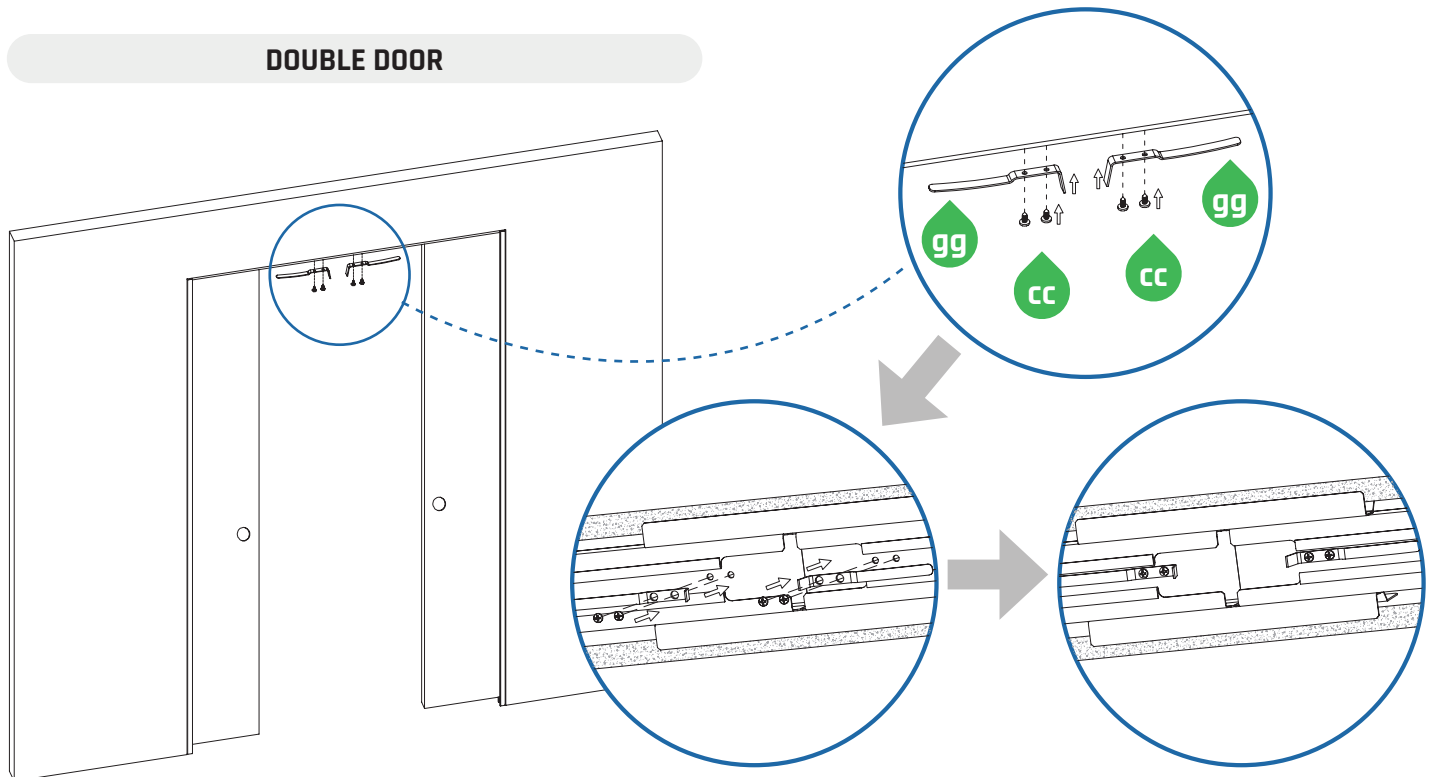


# INSTALLING DOOR BRAKE

## SINGLE DOOR



## DOUBLE DOOR





**WANT TO SEE  
HOW IT'S DONE?**



**GO TO [WWW.ROCKETDOORFRAMES.CO.UK](http://WWW.ROCKETDOORFRAMES.CO.UK)  
TO SEE AN INSTALLATION VIDEO**

**NEED HELP? GIVE US A CALL 03309980617**

