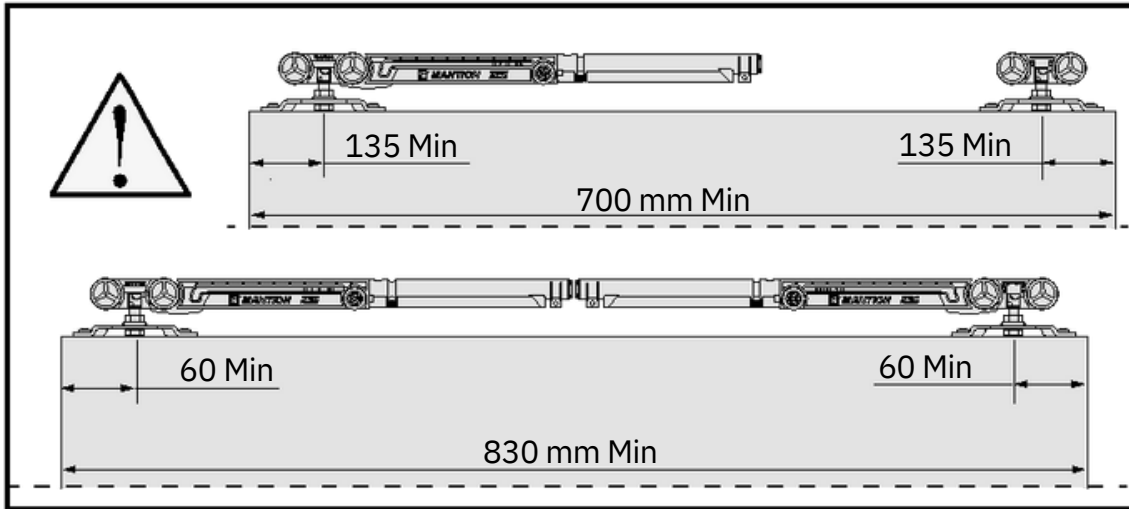




INSTRUCTIONS DE MONTAGE  
MONTAGEANLEITUNG  
INSTRUCTIONS FOR ASSEMBLY  
INSTRUCCIONES DE MONTAJE



**SAF®**  
**M66S**



Poids de la porte  
Gewicht der Tür  
Weight of the door

**21-60 KG**

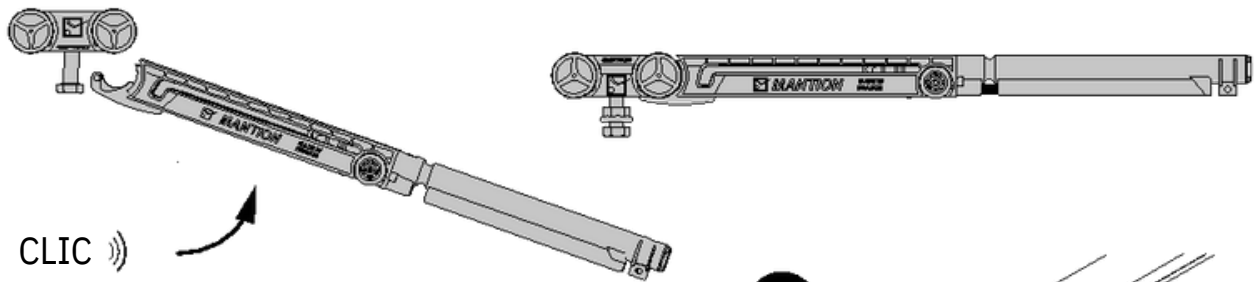
Temperature d'utilisation  
Betriebstemperatur  
Operating temperature

**10°C--> 50°C**

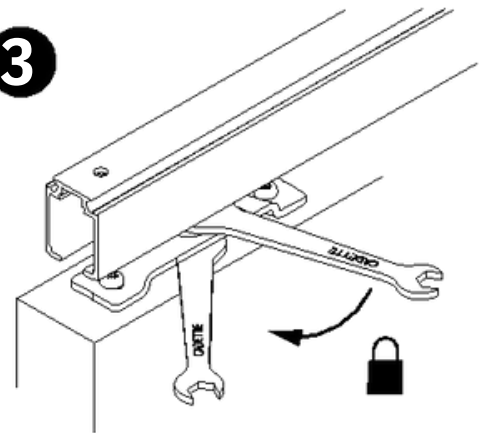
Temperature de stockage  
Lagertemperatur  
Storage temperature

**-20°C--> 80°C**

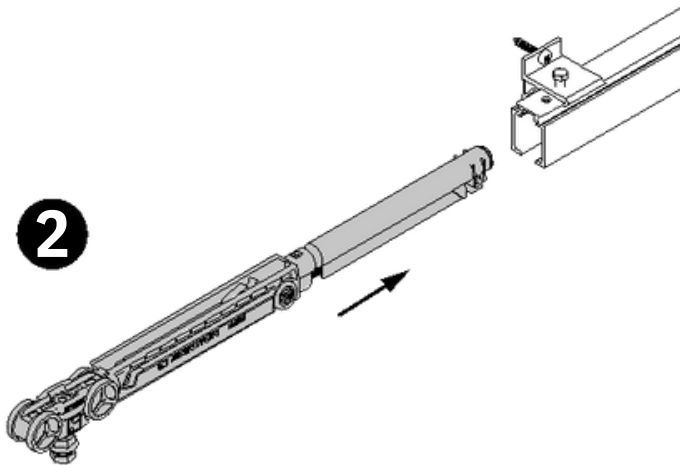
**1**



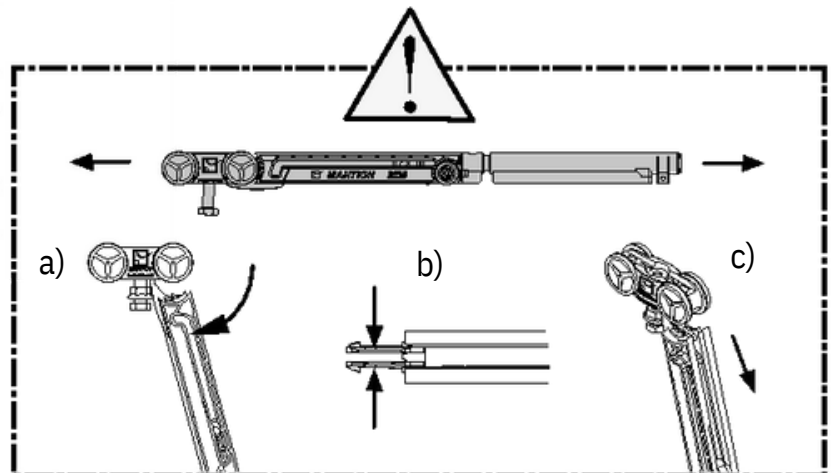
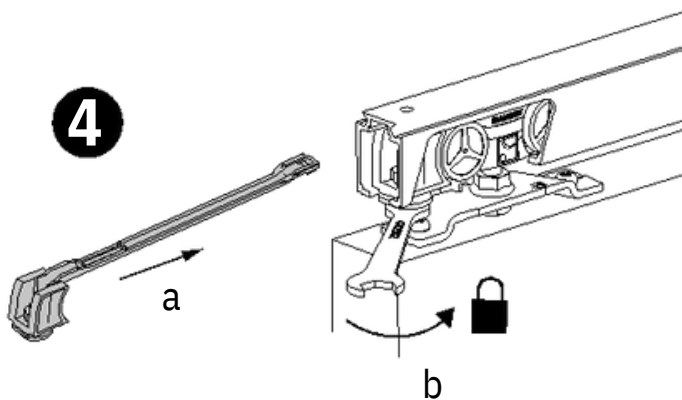
**3**



**2**



**4**

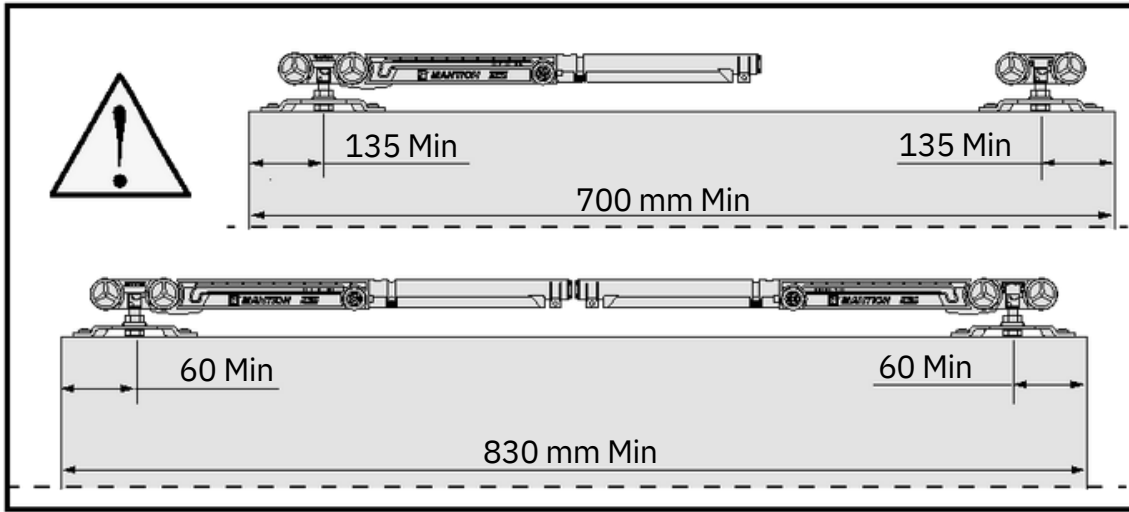




INSTRUCTIONS DE MONTAGE  
MONTAGEANLEITUNG  
INSTRUCTIONS FOR ASSEMBLY  
INSTRUCCIONES DE MONTAJE



**SAF®-SLIM**  
**M66S**



Poids de la porte Gewicht der Tür Weight of the door
<b>21-60 KG</b>
Temperature d'utilisation Betriebstemperatur Operating temperature
<b>10°C--&gt; 50°C</b>
Temperature de stockage Lagertemperatur Storage temperature
<b>-20°C--&gt; 80°C</b>

**1**

x2

Place mounting plate in the centre of the door thickness  
leaving the same distance from the door edges

a)

b)

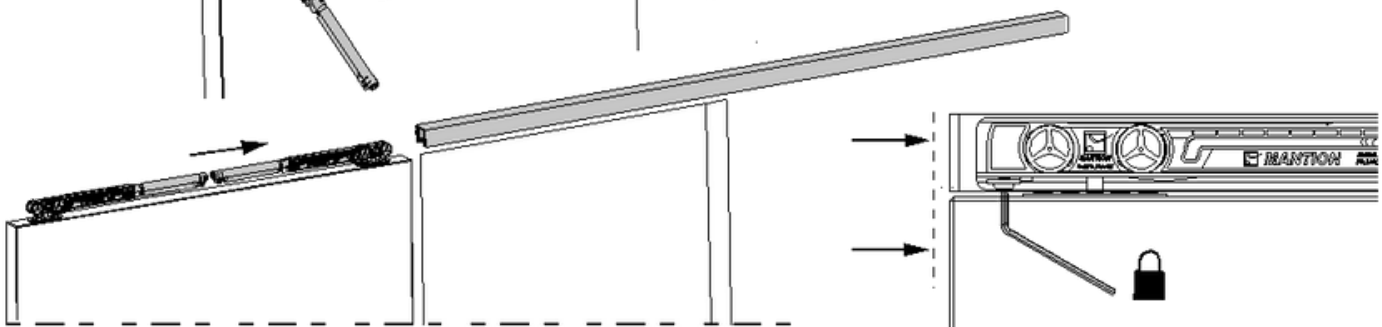
c)

d)

CLIC

CLIC

CLIC



**2**

x2

