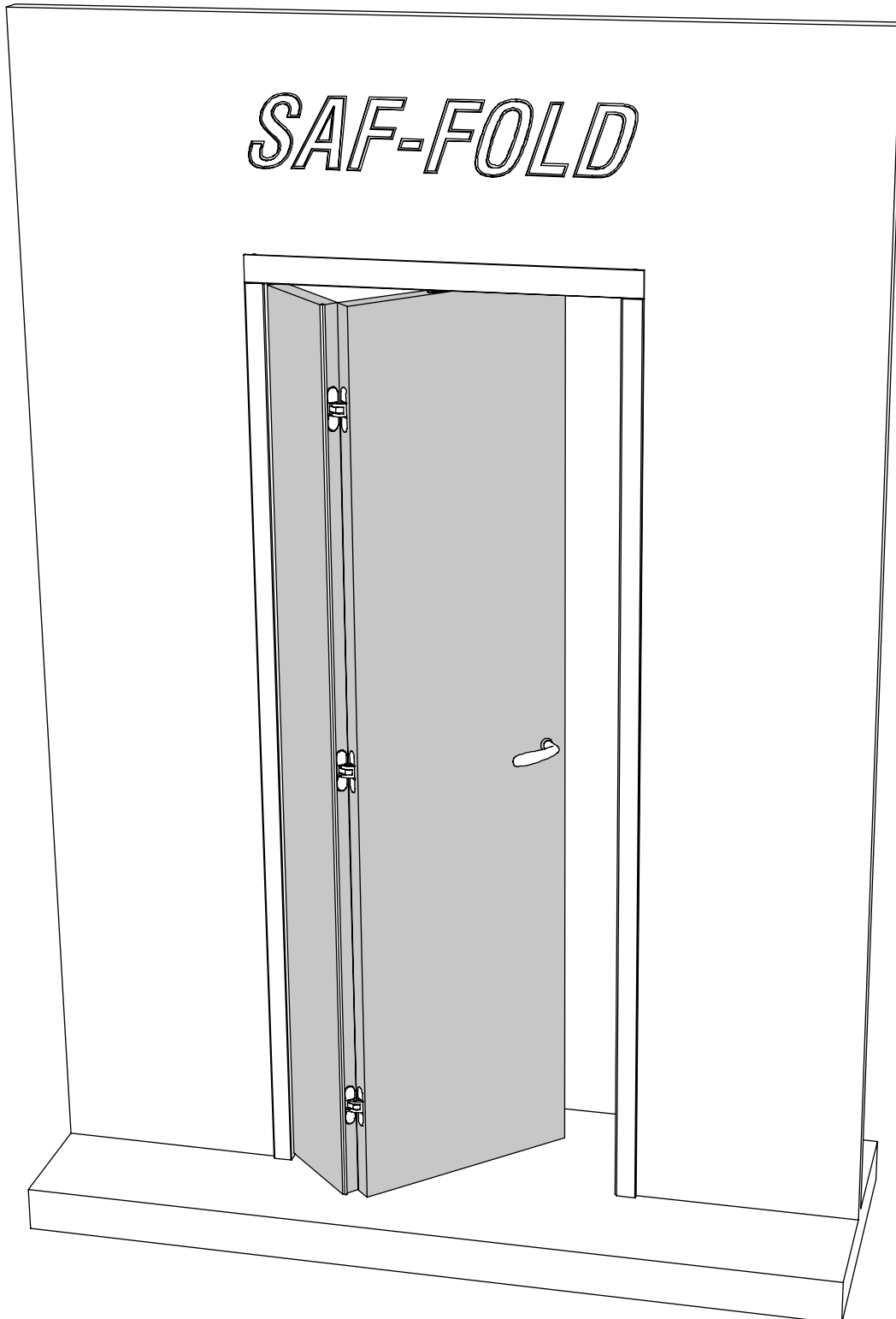
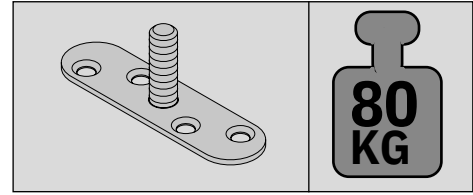
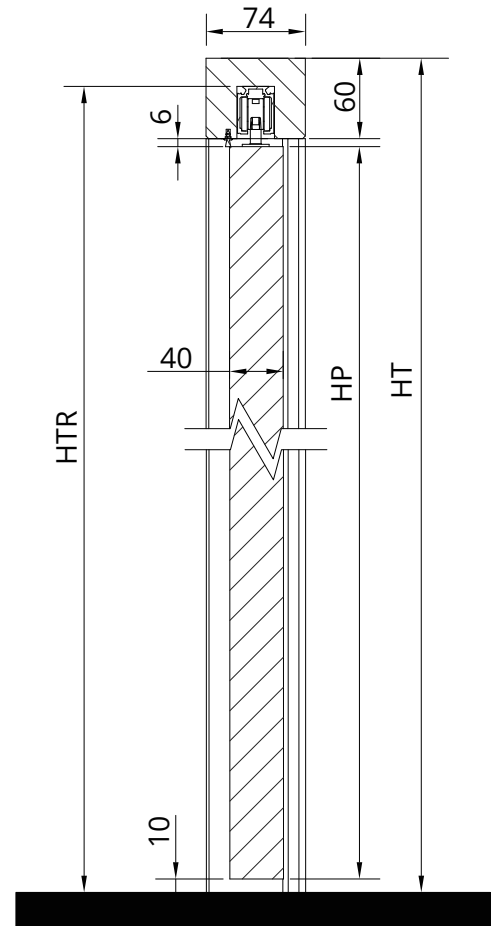
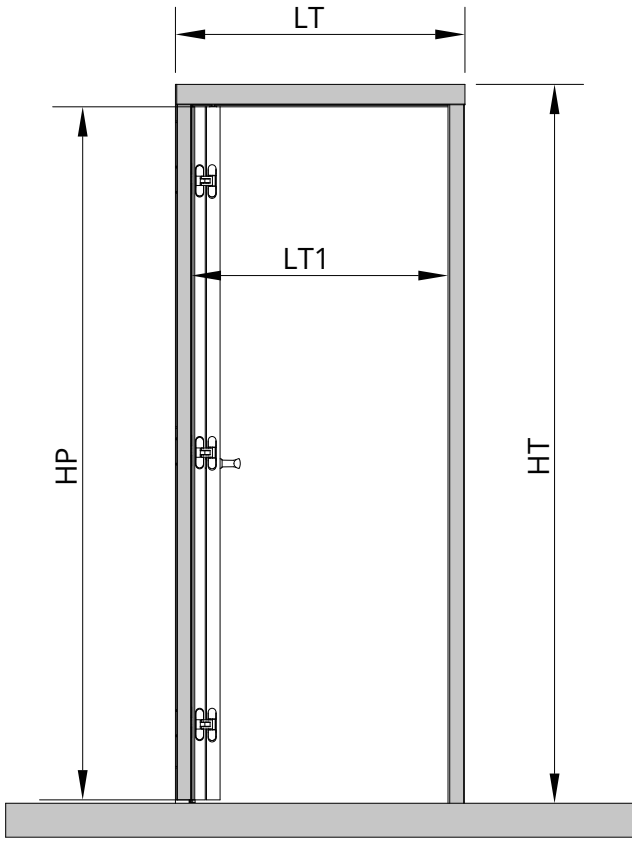




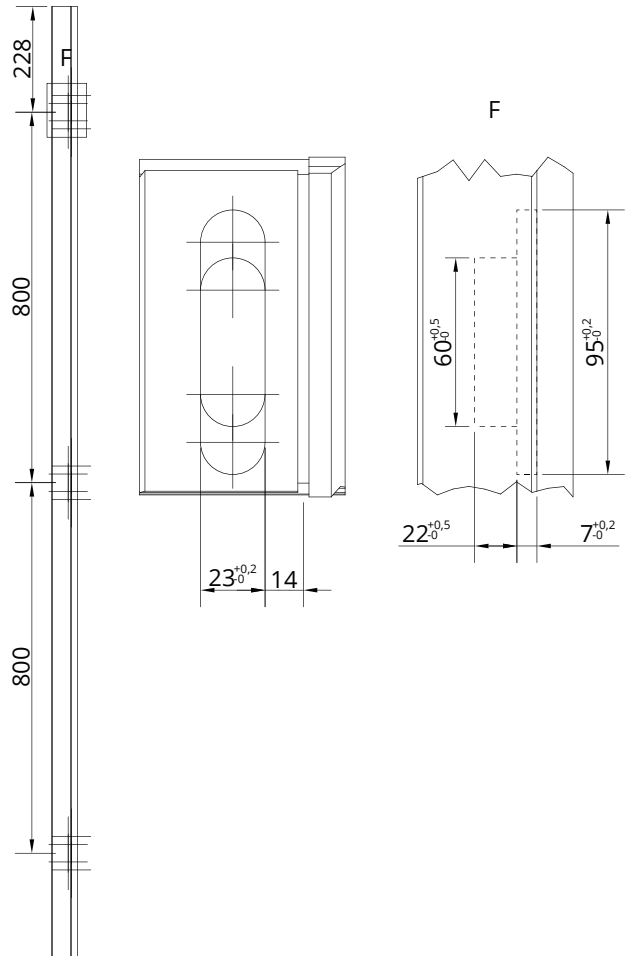
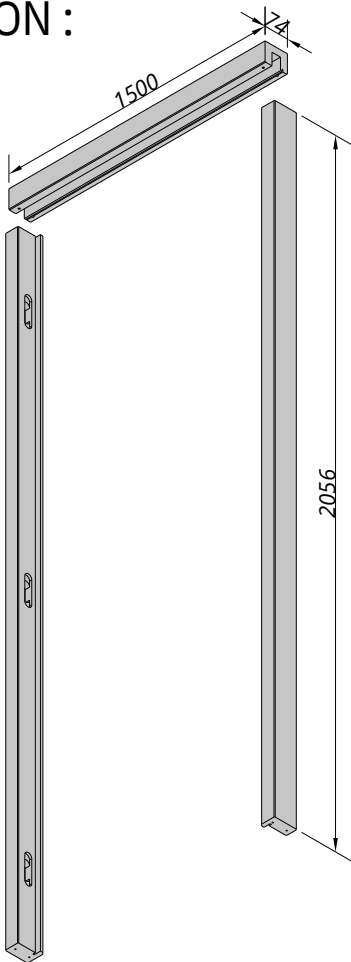
NOTICE DE MONTAGE
MONTAGEANLEITUNG
INSTRUCTIONS FOR ASSEMBLY
INSTRUCCIONES DE MONTAJE

SAF[®]-FOLD
SFOLD80-1

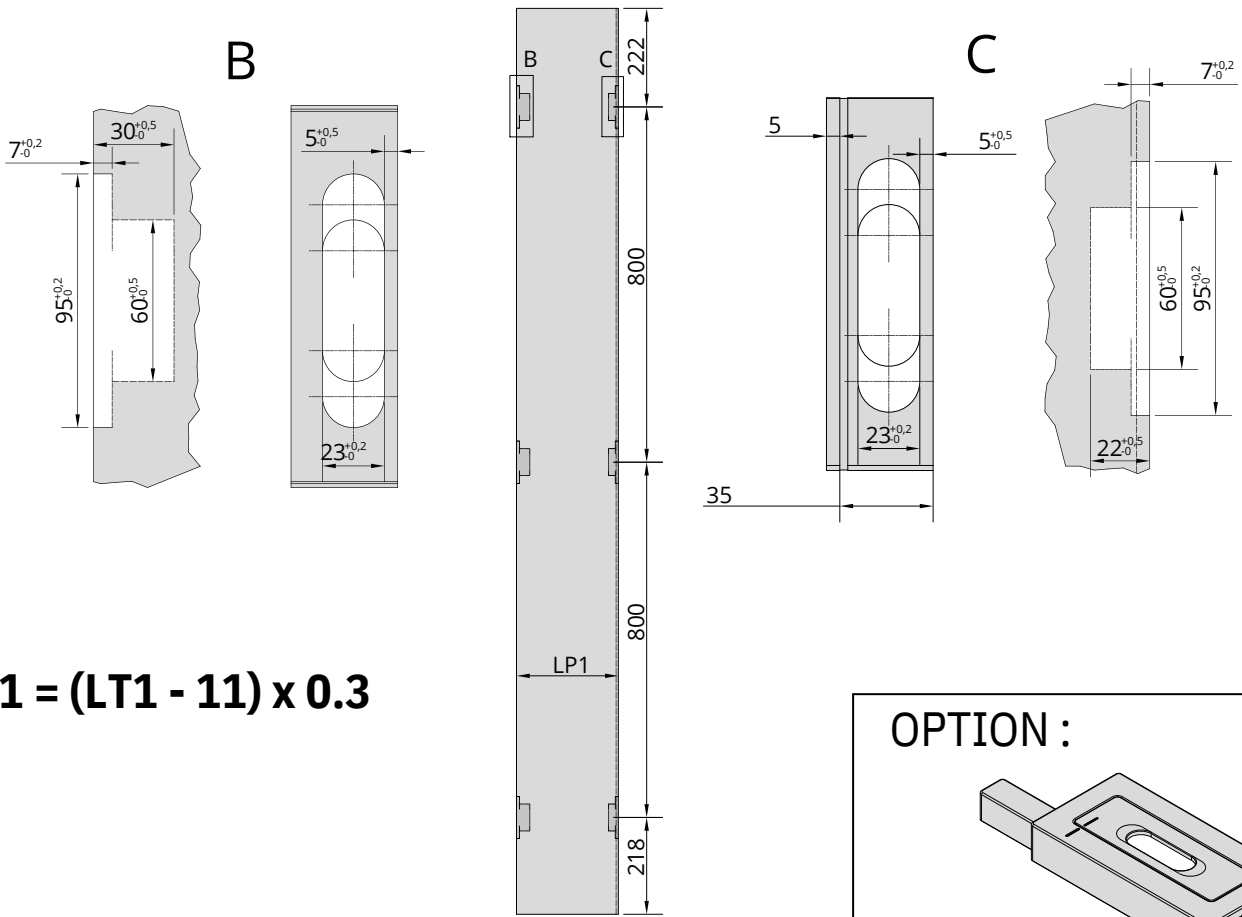




OPTION :

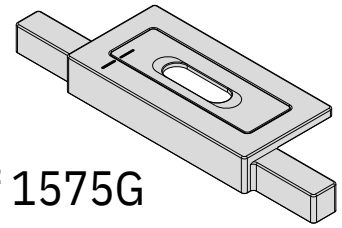


USINAGE DES PANNEAUX MACHINING OF THE PANELS

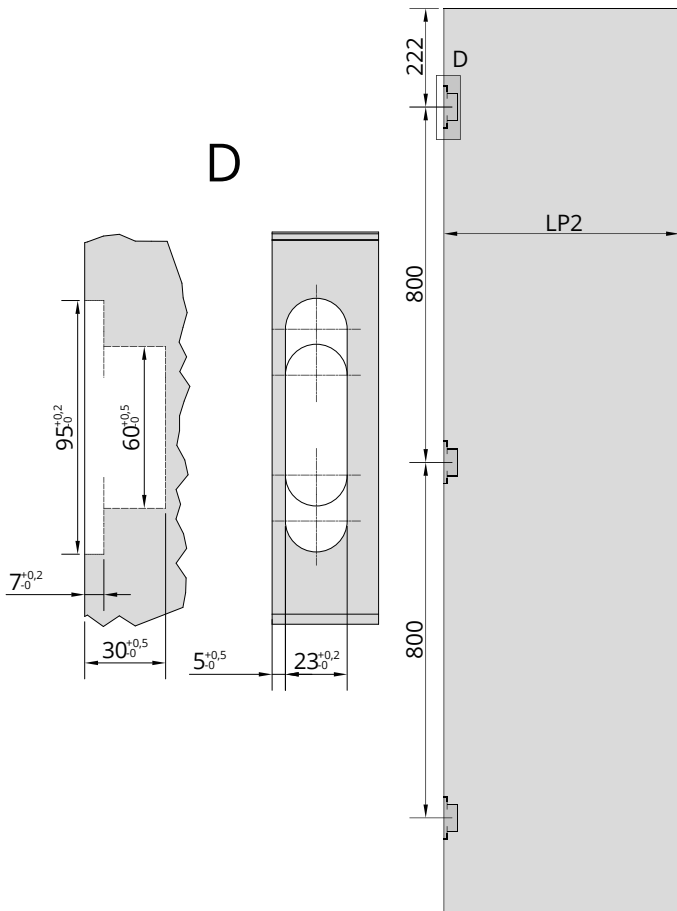


$$Lp1 = (LT1 - 11) \times 0.3$$

OPTION :



Ref 1575G



$$Lp2 = (LT1 - 11) \times 0.7$$

		LP2				
		730 mm	830 mm	930 mm	1030 mm	
 MAX		3	57Kg	51Kg	45Kg	41Kg
	4	64Kg	56Kg	50Kg	45Kg	
	5	72Kg	61Kg	56Kg	49Kg	

MONTAGE / ASSEMBLY

