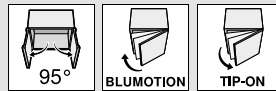


Hinge systems



- ▶ CLIP top BLUMOTION / CLIP top – hinges
- ▶▶ Profile door application



Hinge systems

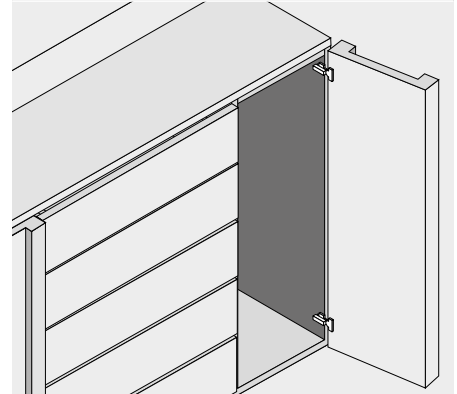
Profile/thick door hinge

Webcode
DQDITA



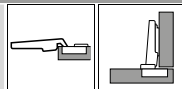
- Hinge for thick doors and doors with profile
- CLIP top BLUMOTION with integrated BLUMOTION (with deactivation option)
- CLIP top with or without closing mechanism (spring)
- All metal hinge, nickel plated
- 95° opening angle
- 3-dimensional front adjustment
- Convenient spiral-tech depth adjustment
- Tool-free door to cabinet assembly and removal
- With INSERTA tool-free hinge to door assembly

Application



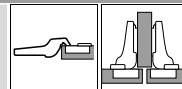
Order information

Overlay application



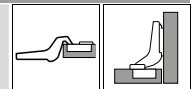
Boss Hinge	INSERTA		Part no.
	Spring		
CLIP top BLUMOTION	●		71B9590
CLIP top	●		71T9590B
	● With spring	○ Unsprung	

Dual application



Boss Hinge	INSERTA		Part no.
	Spring		
CLIP top BLUMOTION	●		71B9690
CLIP top	●		71T9690B
	● With spring	○ Unsprung	

Inset application



Boss Hinge	INSERTA		Part no.
	Spring		
CLIP top BLUMOTION	●		71B9790
CLIP top	●		71T9790B
	● With spring	○ Unsprung	

Boss Hinge	Screw-on		Part no.
	Spring		
CLIP top BLUMOTION	●		71B9550
CLIP top	●		71T9550
CLIP top	○		70T9550.TL

Boss Hinge	Screw-on		Part no.
	Spring		
CLIP top BLUMOTION	●		71B9650
CLIP top	●		71T9650
CLIP top	○		70T9650.TL

Boss Hinge	Screw-on		Part no.
	Spring		
CLIP top BLUMOTION	●		71B9750
CLIP top	●		71T9750
CLIP top	○		70T9750.TL

Boss Hinge	Knock-in		Part no.
	Spring		
CLIP top BLUMOTION	●		71B9580
CLIP top	●		71T9580

Boss Hinge	Knock-in		Part no.
	Spring		
CLIP top BLUMOTION	●		71B9680
CLIP top	●		71T9680

Boss Hinge	Knock-in		Part no.
	Spring		
CLIP top BLUMOTION	●		71B9780
CLIP top	●		71T9780

a Accessories		
Hinge arm cover cap		
Print/Stamp	Logo	Part no.
Plain	–	70.1553
Screen print	Blum	70.1553.BL

a Accessories		
Hinge arm cover cap		
Print/Stamp	Logo	Part no.
Plain	–	70.1663
Stamped	Blum	70.1663.BP

a Accessories		
Hinge arm cover cap		
Print/Stamp	Logo	Part no.
Plain	–	70.1663
Stamped	Blum	70.1663.BP

Note

CLIP top BLUMOTION and CLIP top hinges cannot be combined with each other on a front.

a Accessories – general

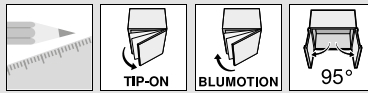
TIP-ON for doors		
Version	Spring	Part no.
Short version	○	956.1004
Extended version	○	956A1004
Extended version	●	956A1006
	● With spring	○ Unsprung

Hinge boss cover cap		
Hinge		Part no.
CLIP top BLUMOTION		70T3504
CLIP top		70T1504

Chipboard screws		
Ø (mm)	Length (mm)	Part no.
3.5	15	609.1500
3.5	17	609.1700

Hinge boss spacing		
Hinge	Spacing (mm)	Part no.
CLIP top BLUMOTION	1.5	70T3507.21

Insertion ram		
Material	Colour	Part no.
Nylon	Orange	MZM.0040



Profile/thick door hinge

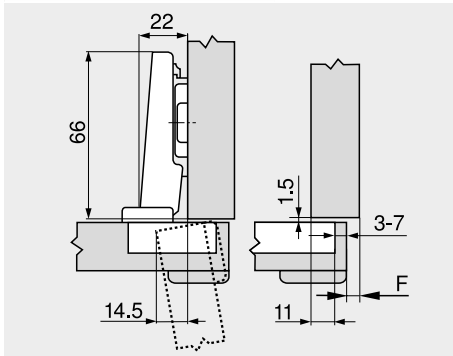
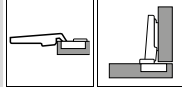
Webcode
 DQDITA

Planning

Hinge dimensions and gap calculation based on factory setting (mounting plate spacing = 0 mm)

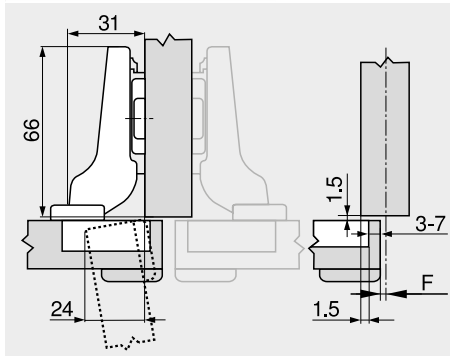
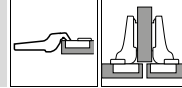
Hinge and front protrusion at full opening angle

Overlay application

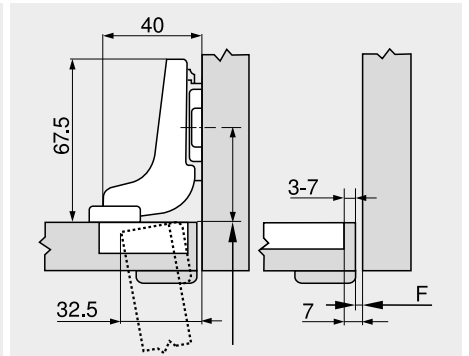
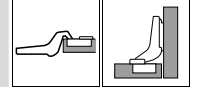


F Gap

Dual application



Inset application



Set mounting plate back by door thickness +1.5 mm

Drilling distance TB

MD	Front overlay FA (mm)																	
	5	6	7	8	9	10	11	12	13	14	15	16	17	18	19	20	21	22
0																		
3																		
6																		
9																		
MD	Mounting plate spacing (mm)																	

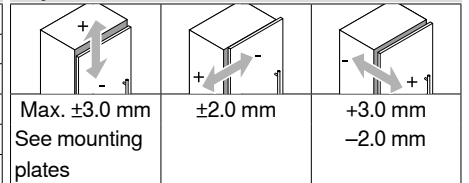
MD	Front overlay FA (mm)																	
	-4.5	-3.5	-2.5	-1.5	-0.5	0.5	1.5	2.5	3.5	4.5	5.5	6.5	7.5	8.5	9.5	10.5	11.5	12.5
0																		
3																		
6																		
9																		
MD	Mounting plate spacing (mm)																	

MD	Front overlay FA (mm)									
	-4	-3	-2	-1	0	1	2	3	4	5
0										
3										
6										
9										
MD	Mounting plate spacing (mm)									

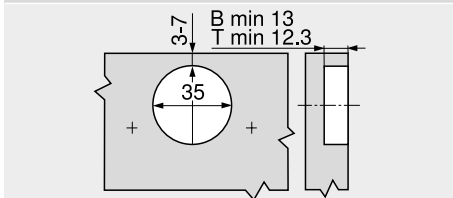
Minimum gap (F) for fronts with a front radius (R = 1 mm) based on the factory setting

Drilling distance TB (mm)	Front thickness FD (mm)											
	16	18	19	20	22	24	26	28	29	30	31	32
3	0.2	0.3	0.4	0.5	0.8	1.0	1.5	1.9	2.8	3.6	4.5	5.4
4	0.2	0.3	0.4	0.5	0.7	1.0	1.4	1.8	2.5	3.1	4.0	4.8
5	0.2	0.3	0.4	0.5	0.7	1.0	1.4	1.8	2.3	2.7	3.5	4.3
6	0.2	0.3	0.4	0.5	0.7	1.0	1.4	1.8	2.2	2.5	3.2	3.8
7	0.2	0.3	0.4	0.5	0.7	0.9	1.4	1.7	2.1	2.4	3.0	3.5
Additional for +2 mm side adjustment												
	+0.1	+0.2	+0.2	+0.2	+0.3	+0.4	+0.4	+0.5	+0.4	+0.4	+0.4	+0.3

Adjustment

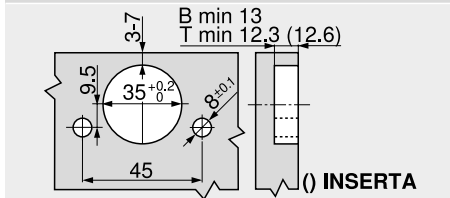


Screw-on



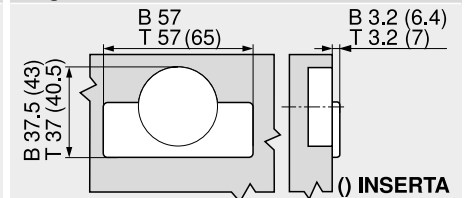
B CLIP top BLUMOTION
 T CLIP top

INSERTA/knock-in



B CLIP top BLUMOTION
 T CLIP top

Hinge boss dimensions



B CLIP top BLUMOTION
 T CLIP top

Page instructions

Overview – CLIP top BLUMOTION / CLIP top – hinges	107	Overview – TIP-ON for doors	653
Mounting plates	186	Assembly, removal and adjustment	196
Accessories – hinge arm cover cap	193	Overview – assembly devices	683
Accessories – general	194	More technical details	774
Overview – BLUMOTION for doors	539		