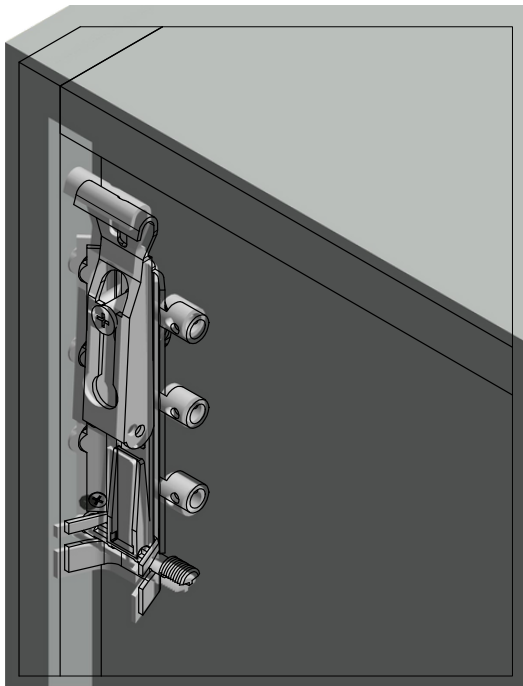
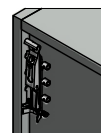


Concealed Cabinet Hangers

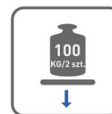


Application

Hanging cabinets



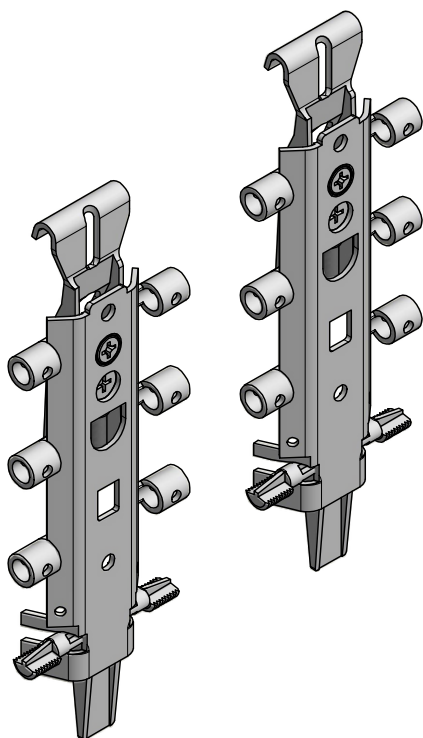
Parameters



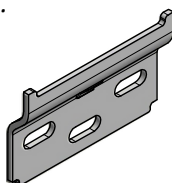
Kit Contents

1. Cabinet hanger - 2 szt.
2. Mounting strip - 2 szt.
3. White plastic cover - 2 szt.

1.



2.



x 2

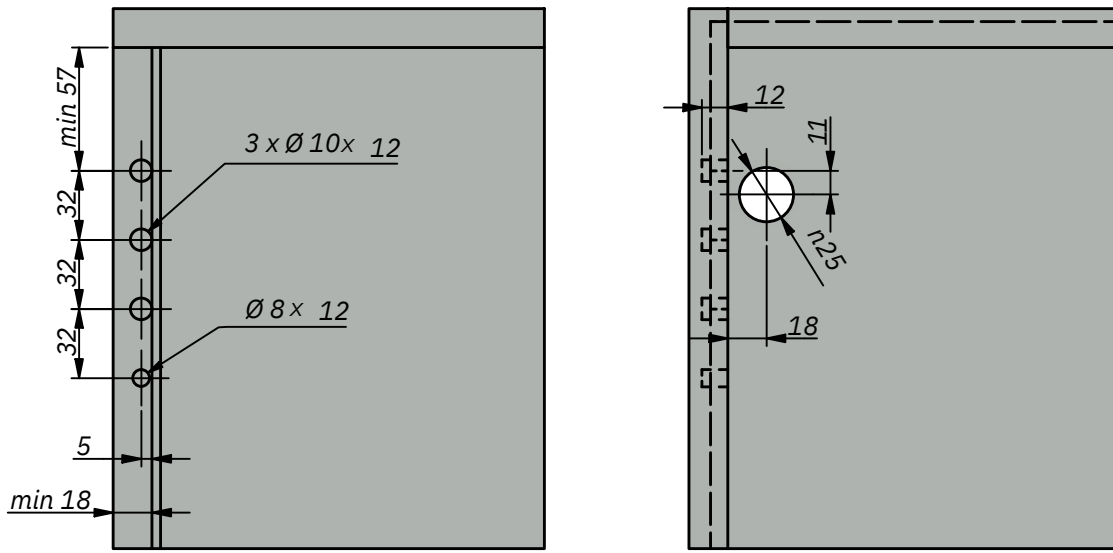
3.



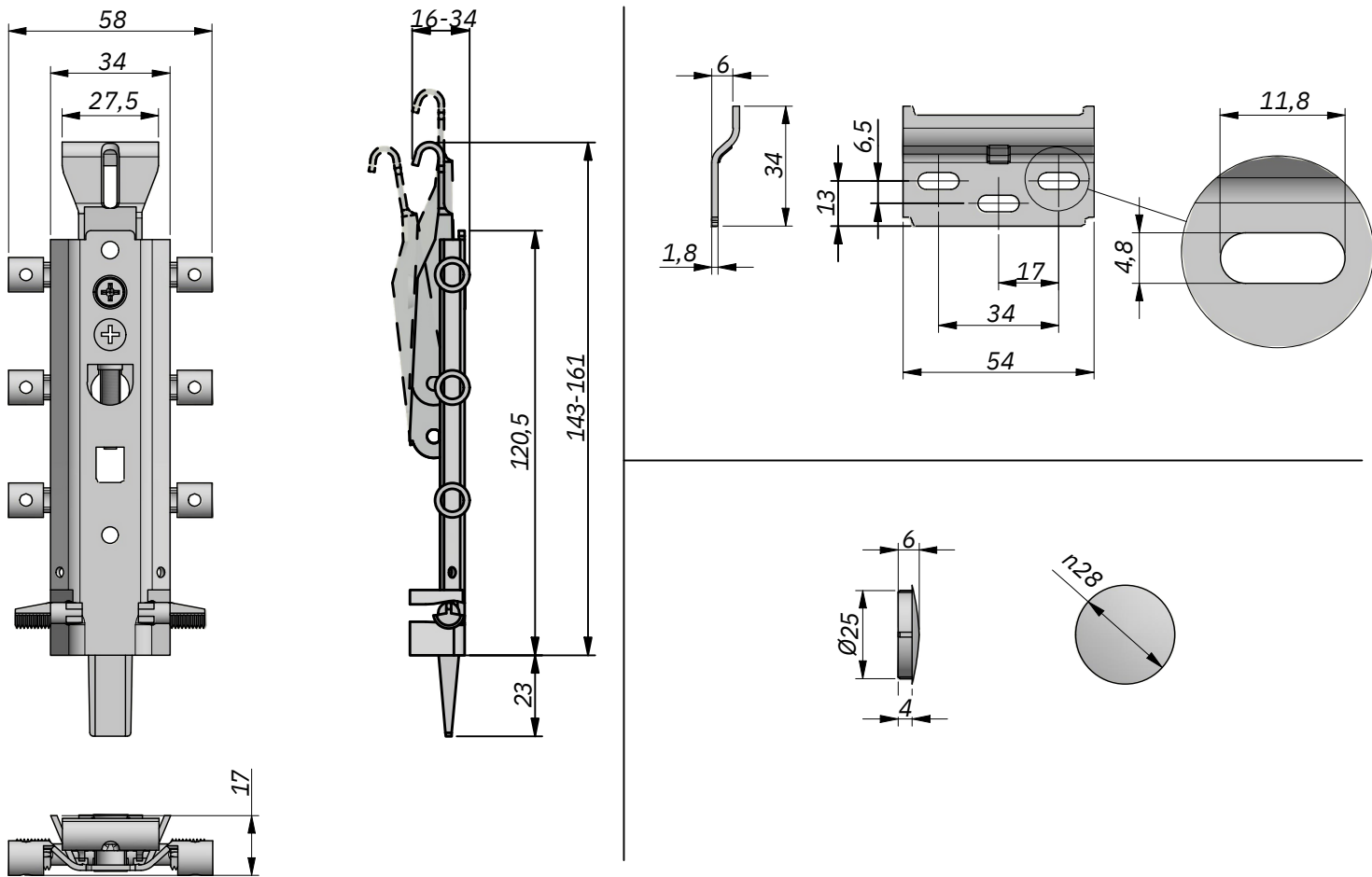
x 2



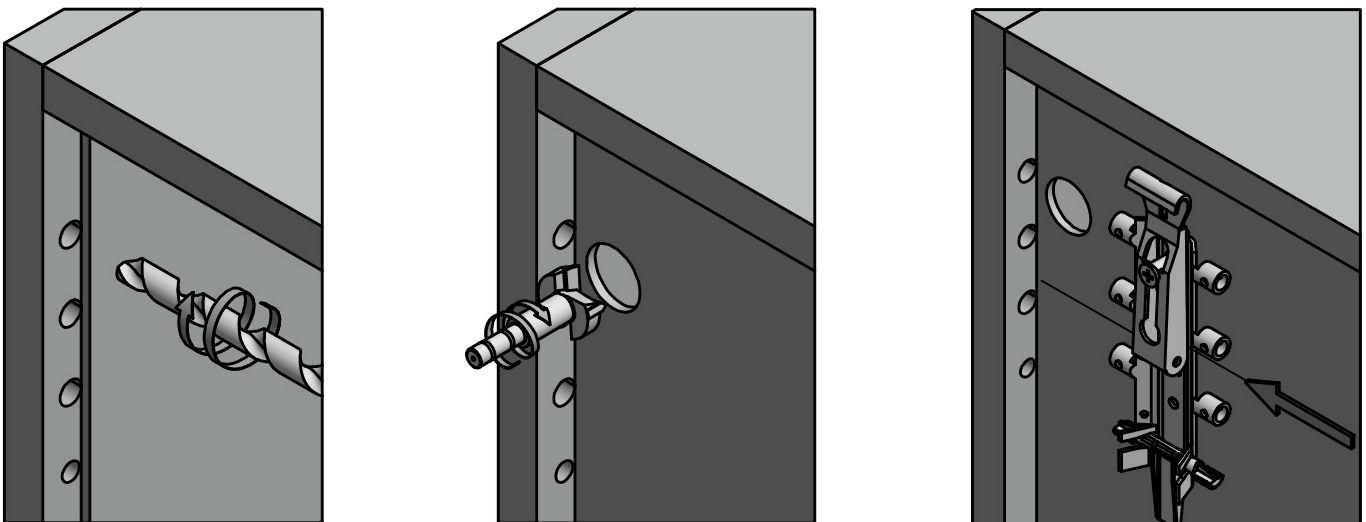
Planning

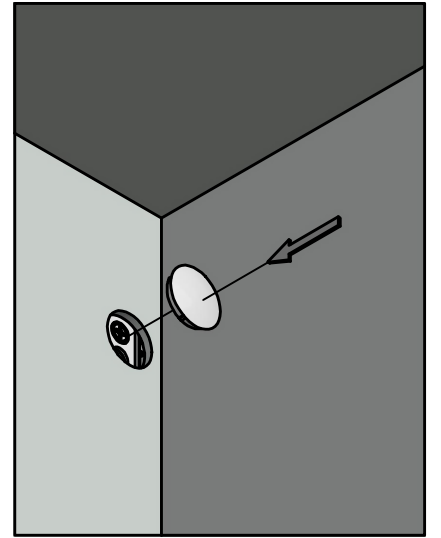
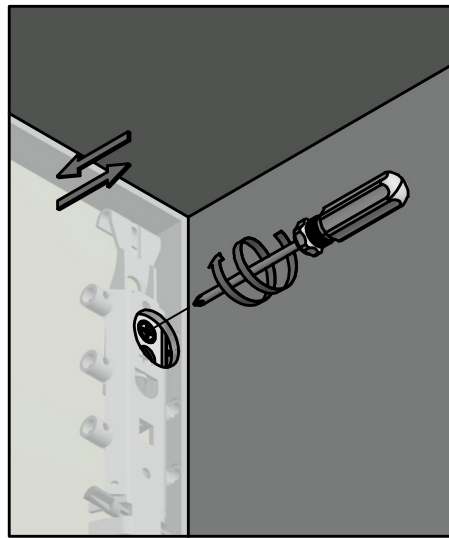
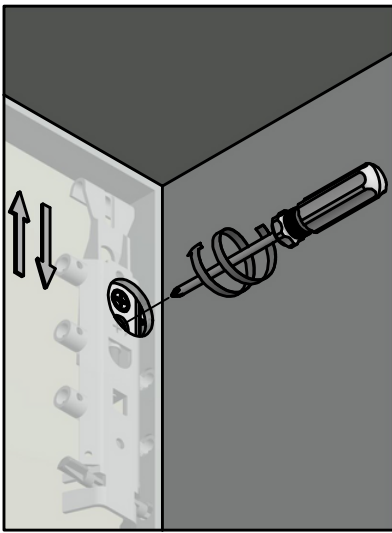
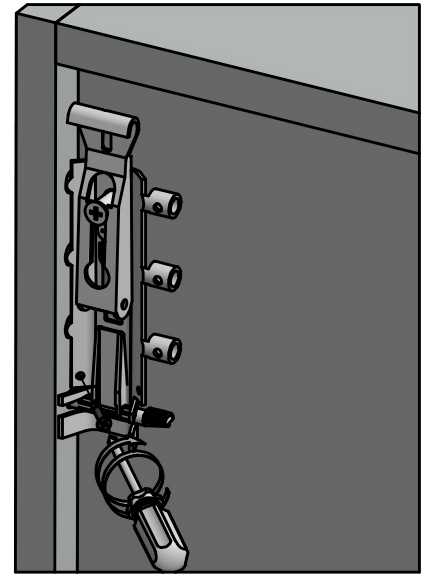
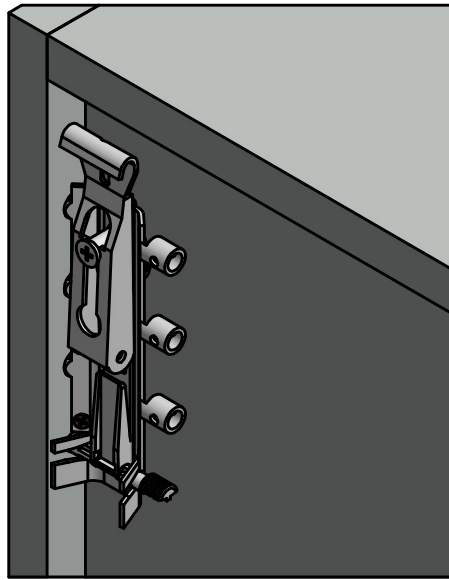
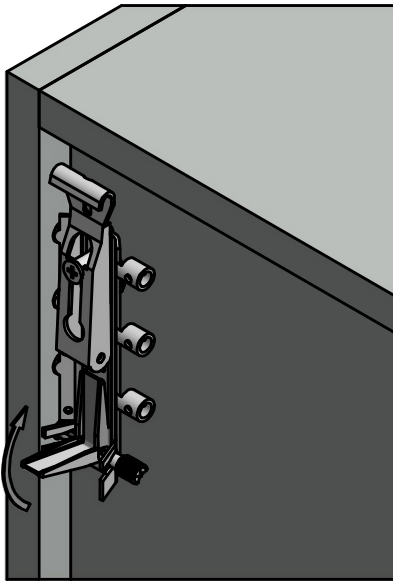


Product dimensions (mm):



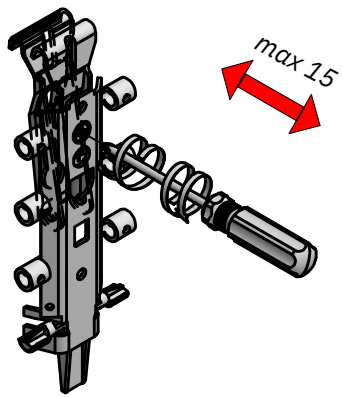
Installation





Adjustment

Horizontal



Vertical

