



x1



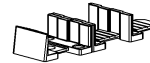
x2



x2



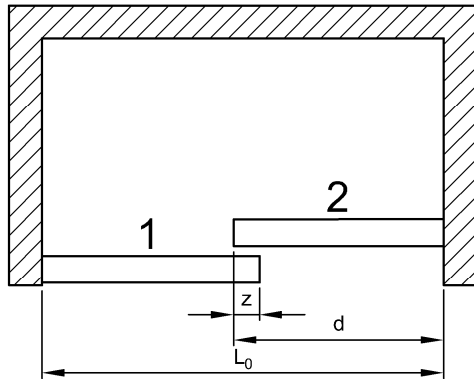
x2



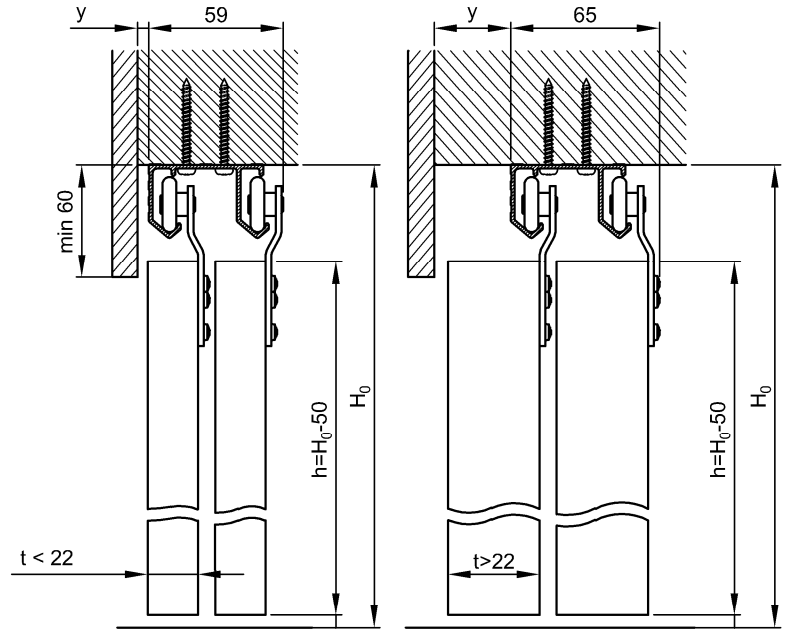
x1



45  
KG



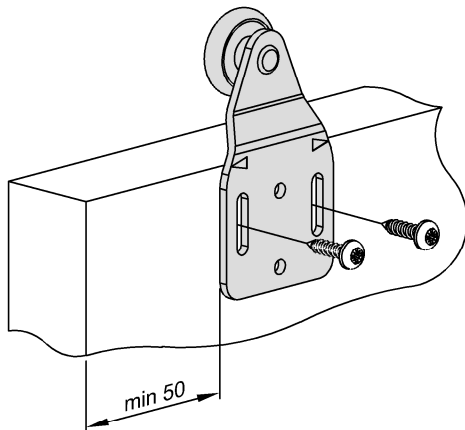
$$d = (L_0 + z) / 2$$



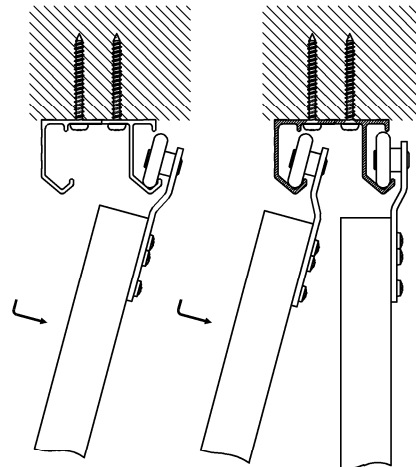
t [mm]	16	18	19	22	4-11
y [mm]	0	1	4		

t [mm]	>22	4-11
y [mm]	t-9	

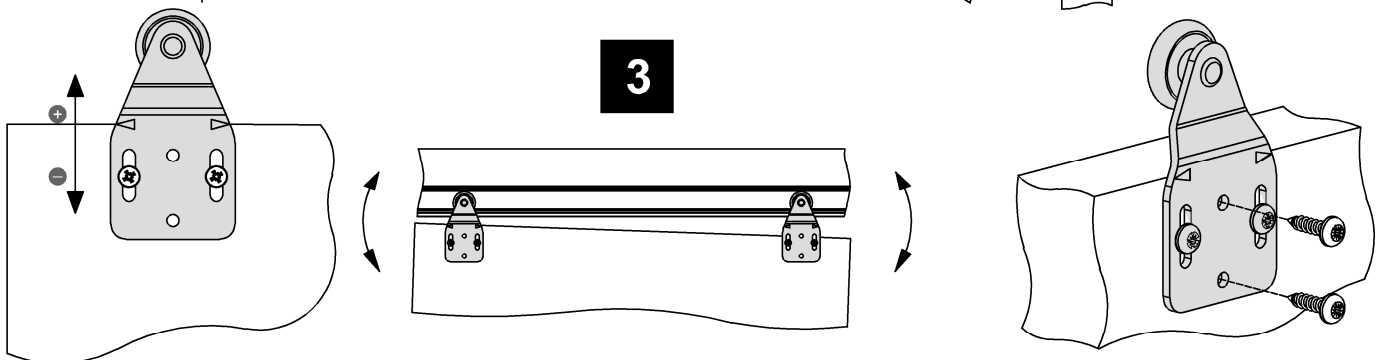
**1**

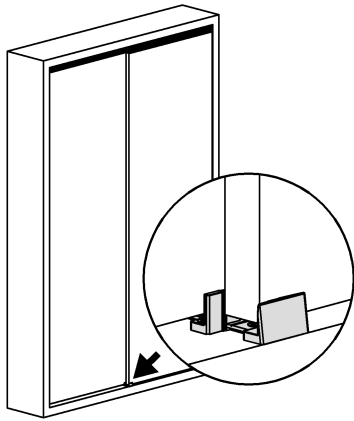


**2**

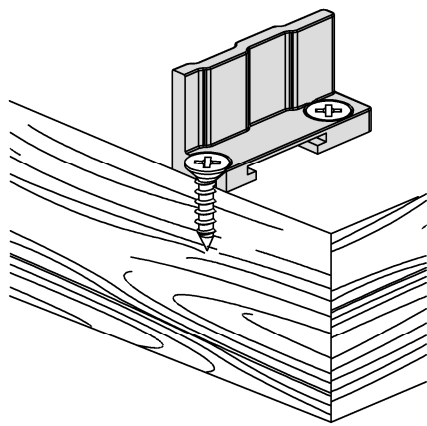
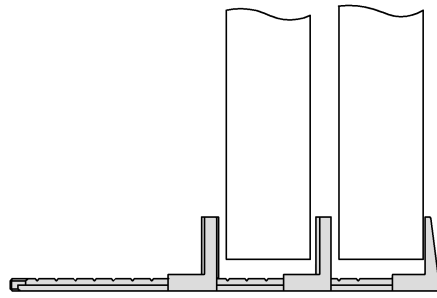


**3**

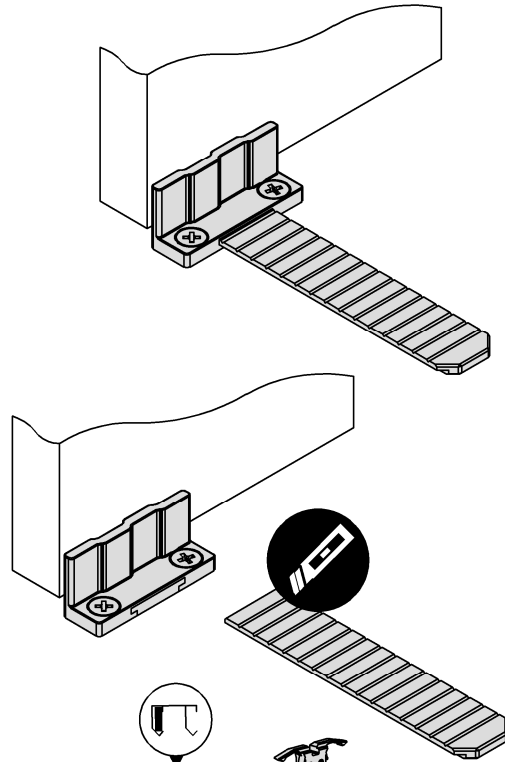




4



5



6

