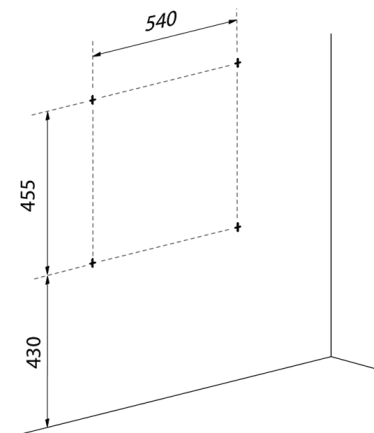
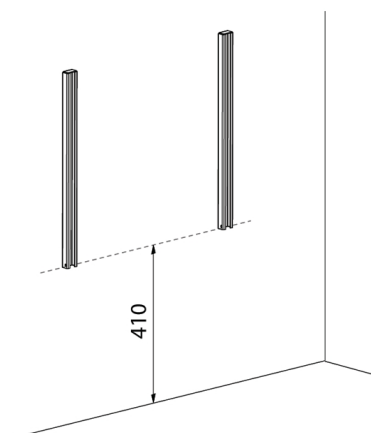
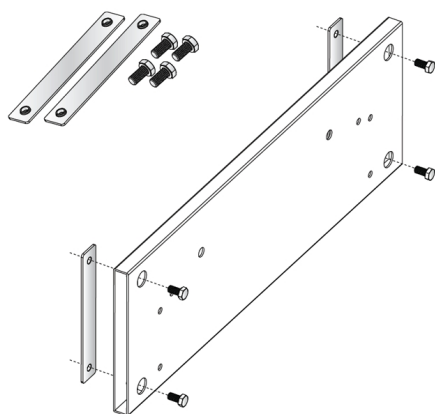
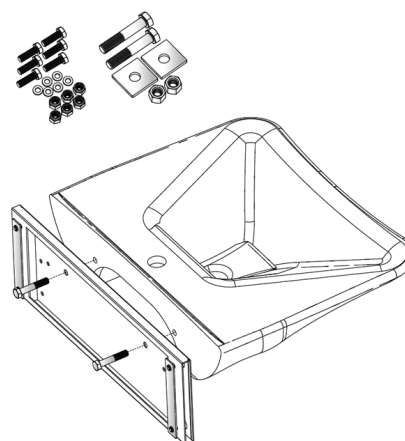
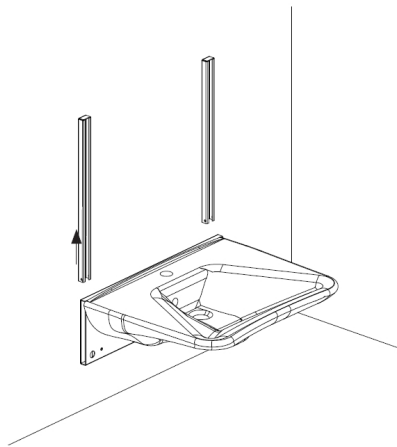
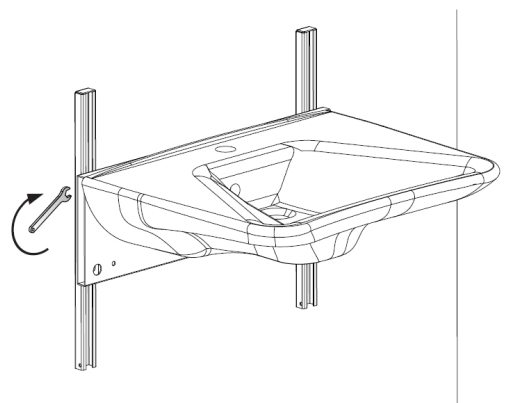


EN Installation instructions Basicline 403**1. Installation on wall****1.1** (mm)**1.2****1.3****1.4**

1.5

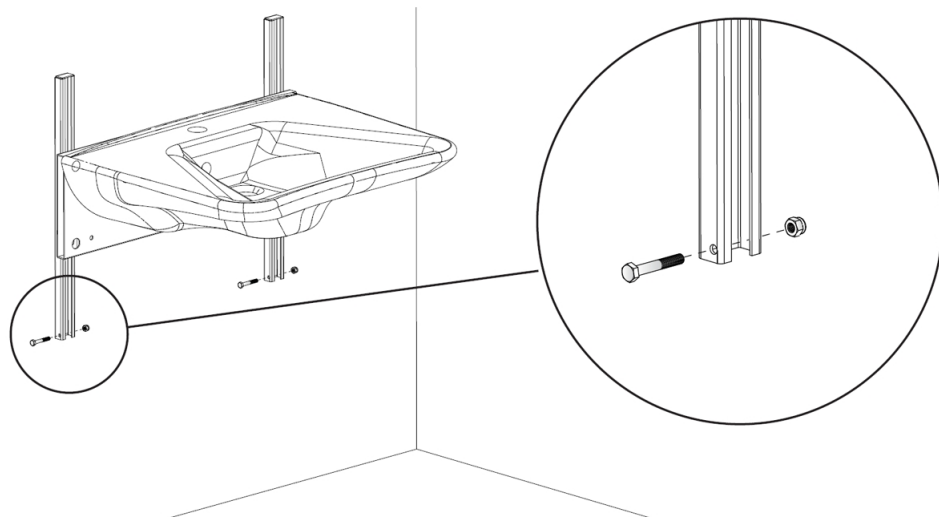


1.6



Tightening the screws at the right height for the user.

1.7



Mount the safety screws at the end of the bars.
2 pcs M6 x 40 mm with M6 nut.

2. Functional test

- Check that the screws that lock the desired height are tightened.
- Check that no cables or hoses are jammed and that the water and sewer hoses are properly fixed to the wall.
- Make sure the wall installation and washbasin installation are intact.