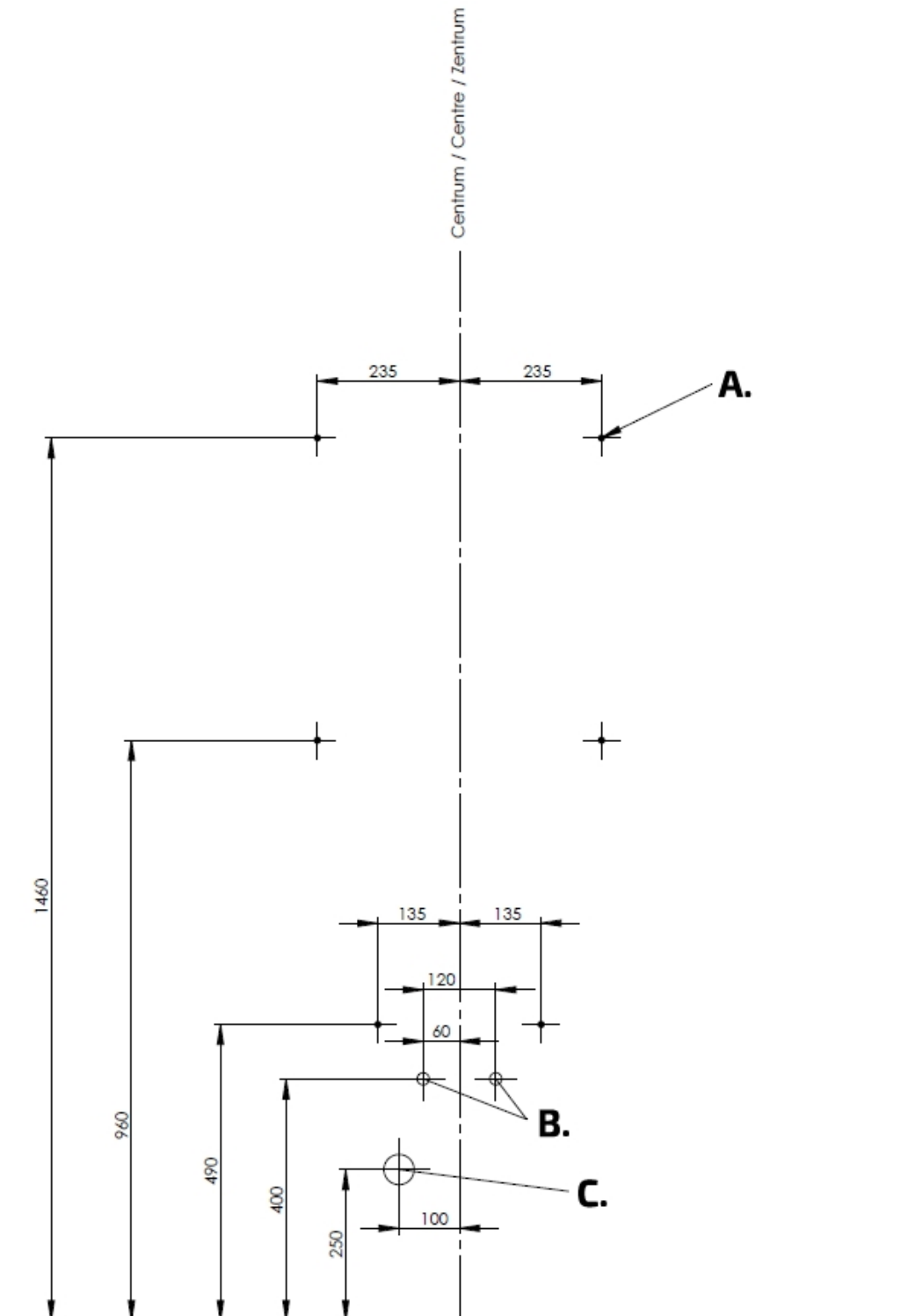


EN Installation instructions Basicline 401

1. Installation measures

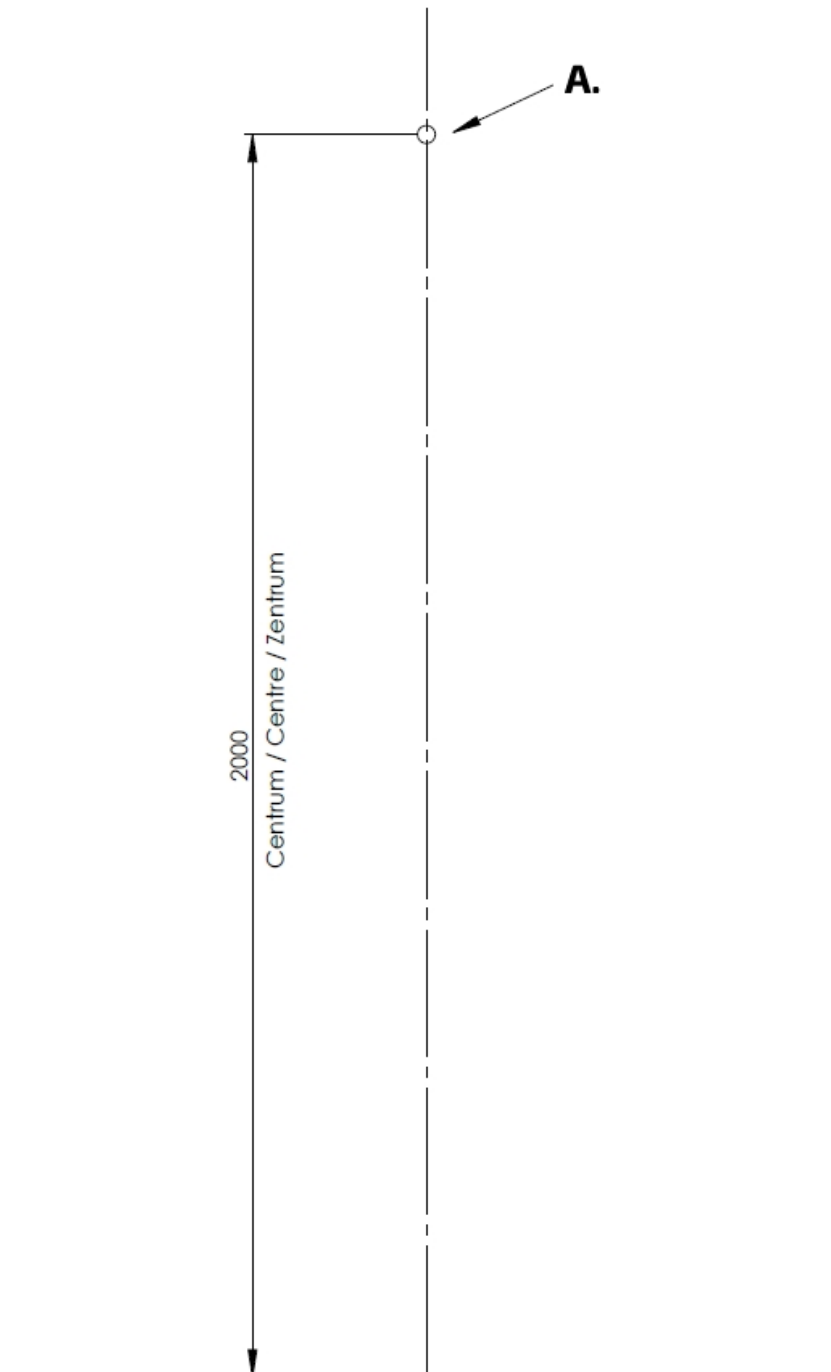
- A. 6 x Fixing points
- B. Water
- C. Waste



2. Electrical connection location

- A.** Connection for the lamp via separate wall switch
230V, max 0,11A

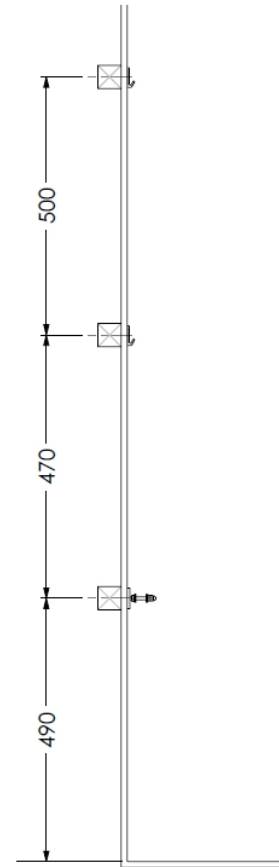
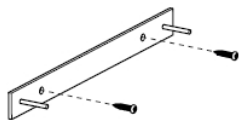
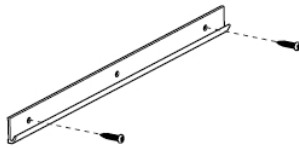
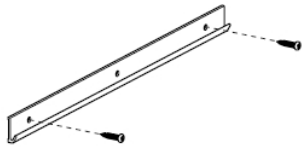
The connection must be earthed and connected via a RCD.



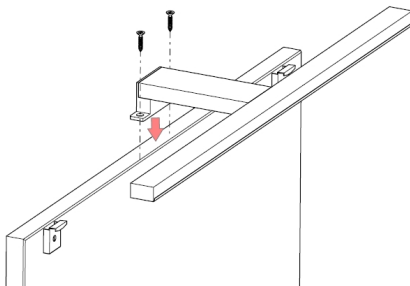
3. Installation on wall

Check the wall construction before installation. It is the installers responsibility to use the correct fixing details for each type of wall.

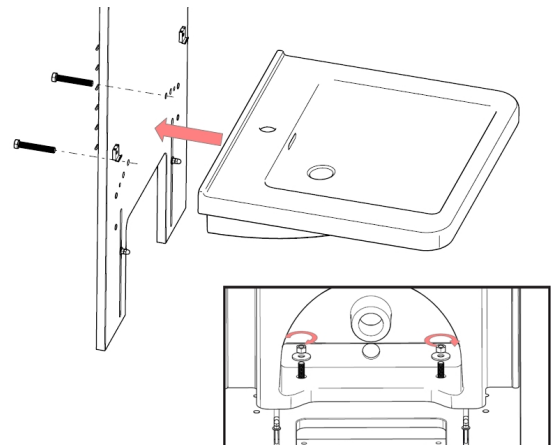
3.1



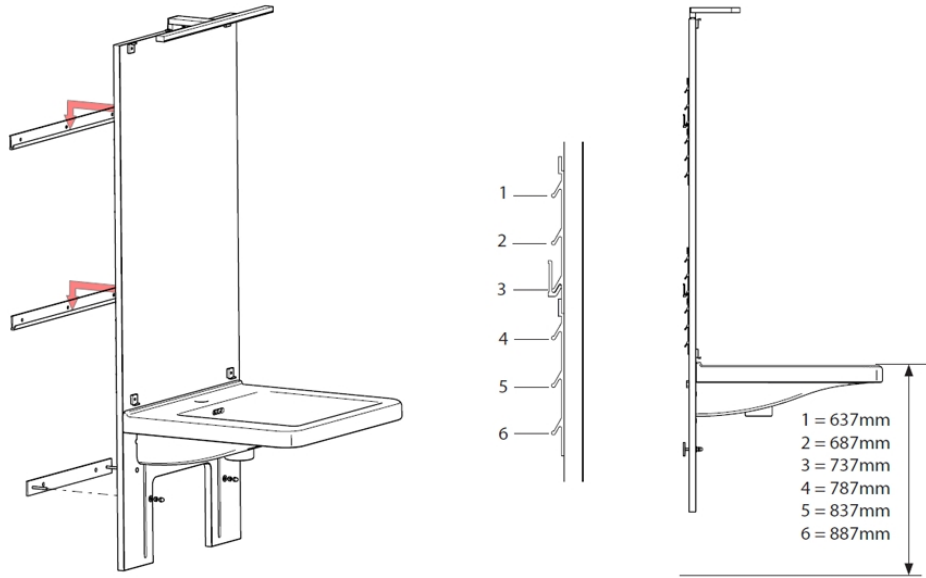
3.2



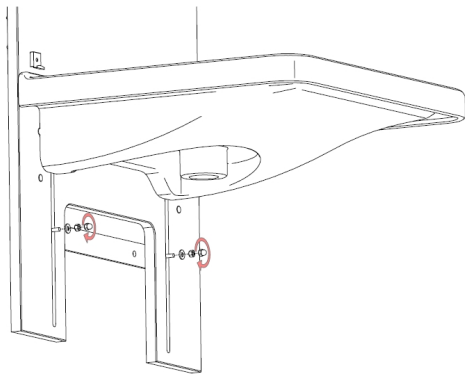
3.3



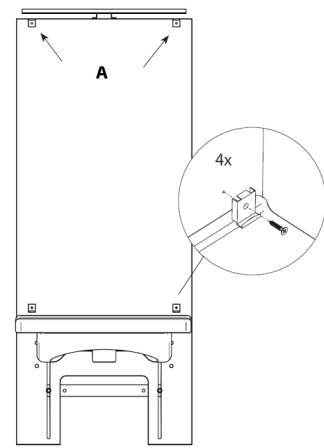
3.4



3.5

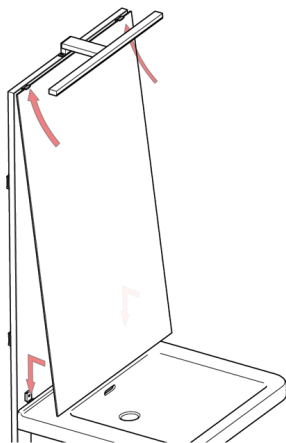


3.6

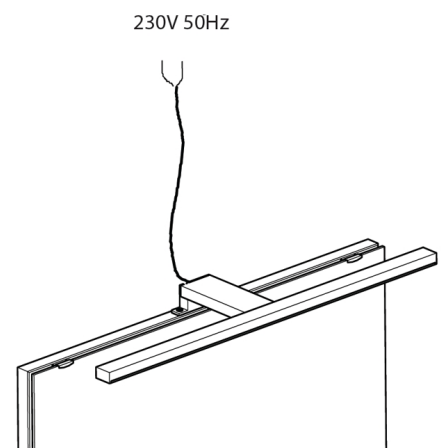


A - With spring

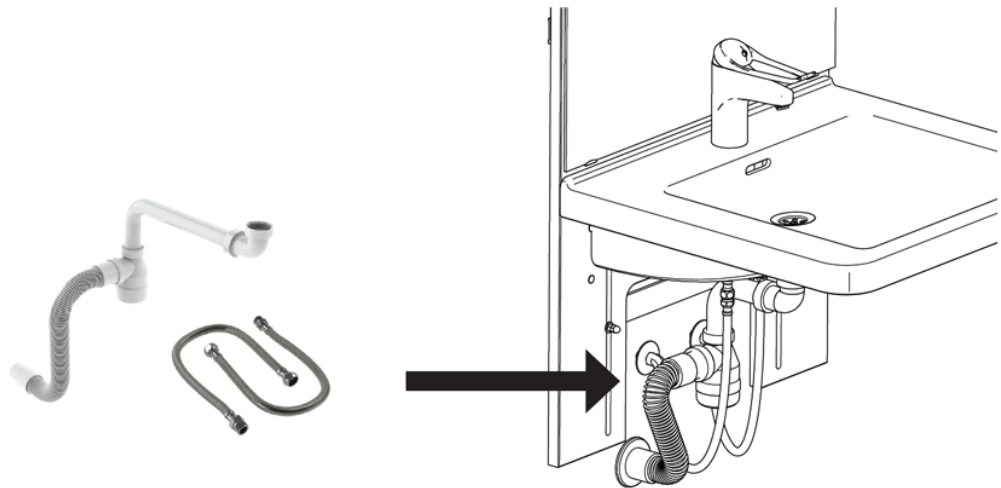
3.7



3.8



3.9



4. Functional test

- Check that the locking nuts that lock the desired height are tightened.
- Check that no cables or hoses are jammed and that the water and sewer hoses are properly fixed to the wall.
- Make sure the wall installation, washbasin installation and mirror installation are intact.