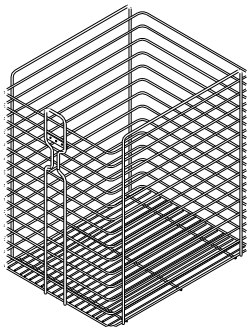
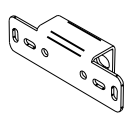
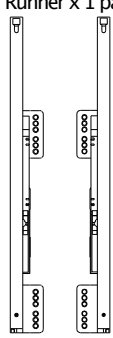
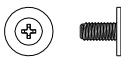

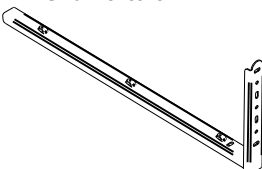
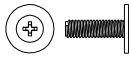
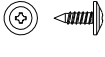
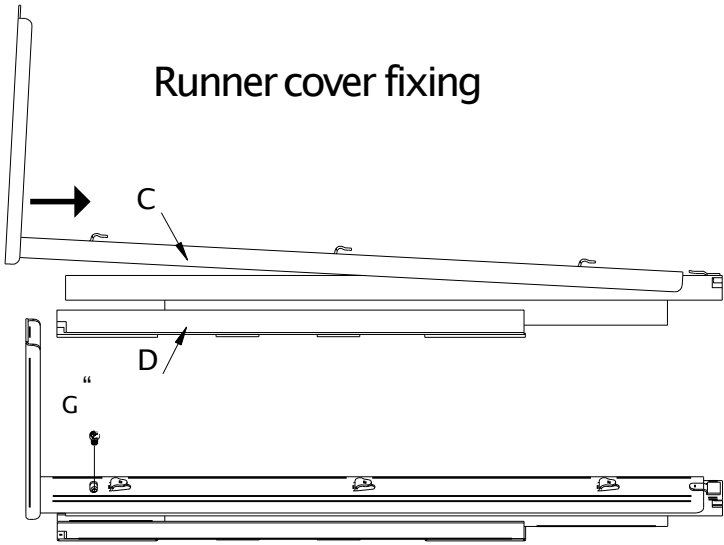


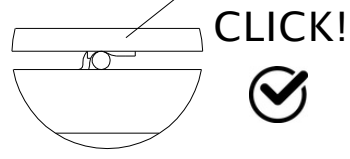
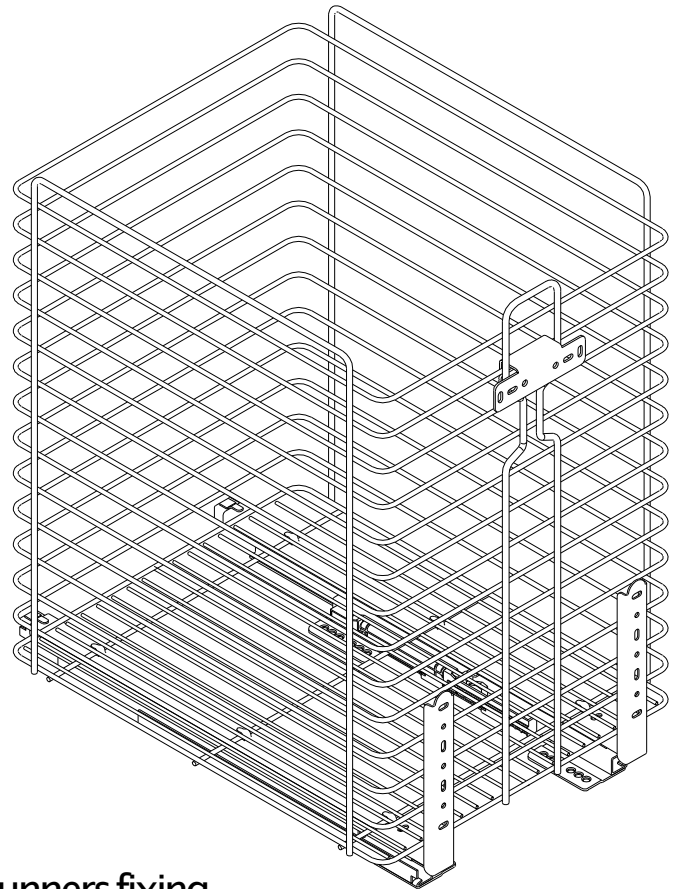
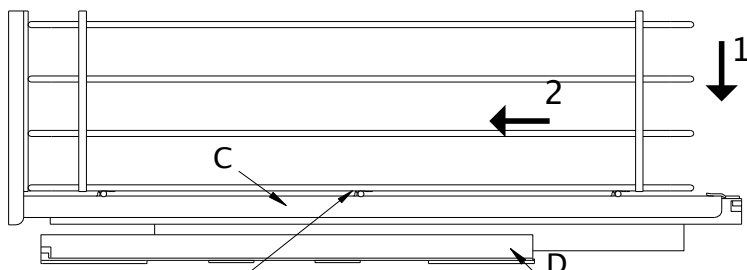
Premium Laundry Basket Fitting Instruction 300, 400, 500, 600

<p>A. Laundry basket</p> 	<p>B. Front panelclip x 1</p> 	<p>D. Runner x 1 pair</p> 	<p>E. M5x12 -x4</p> 	<p>G. M4x6 -x2</p> 
	<p>C.Runner cover x 2</p> 		<p>F. FM5x20 -x2</p> 	<p>H. 4,2x13 -x10 I. 4,2x19 -x8</p> 

Runner cover fixing

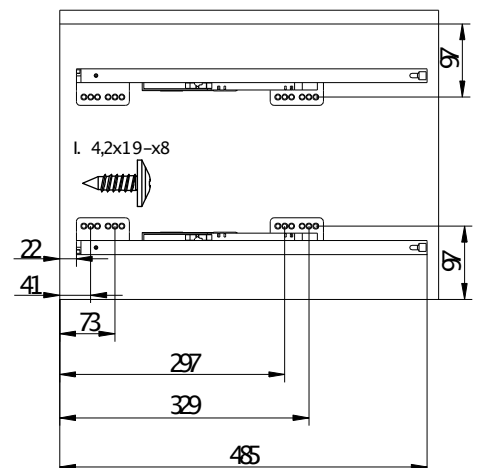
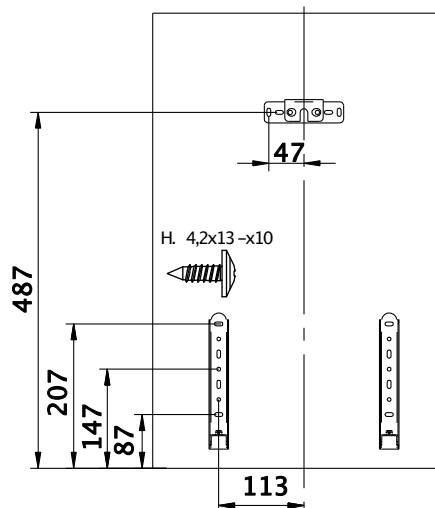
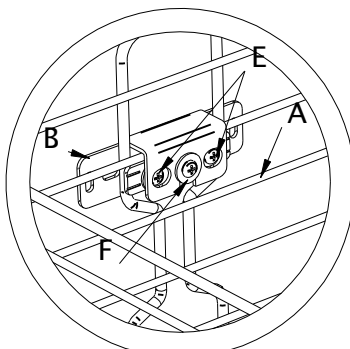


Laundry basket fixing



Front panel and runners fixing

E -Front panel regulation screws
F -Lock screw



* Front panel fixing measurements based on 18mm carcass thickness