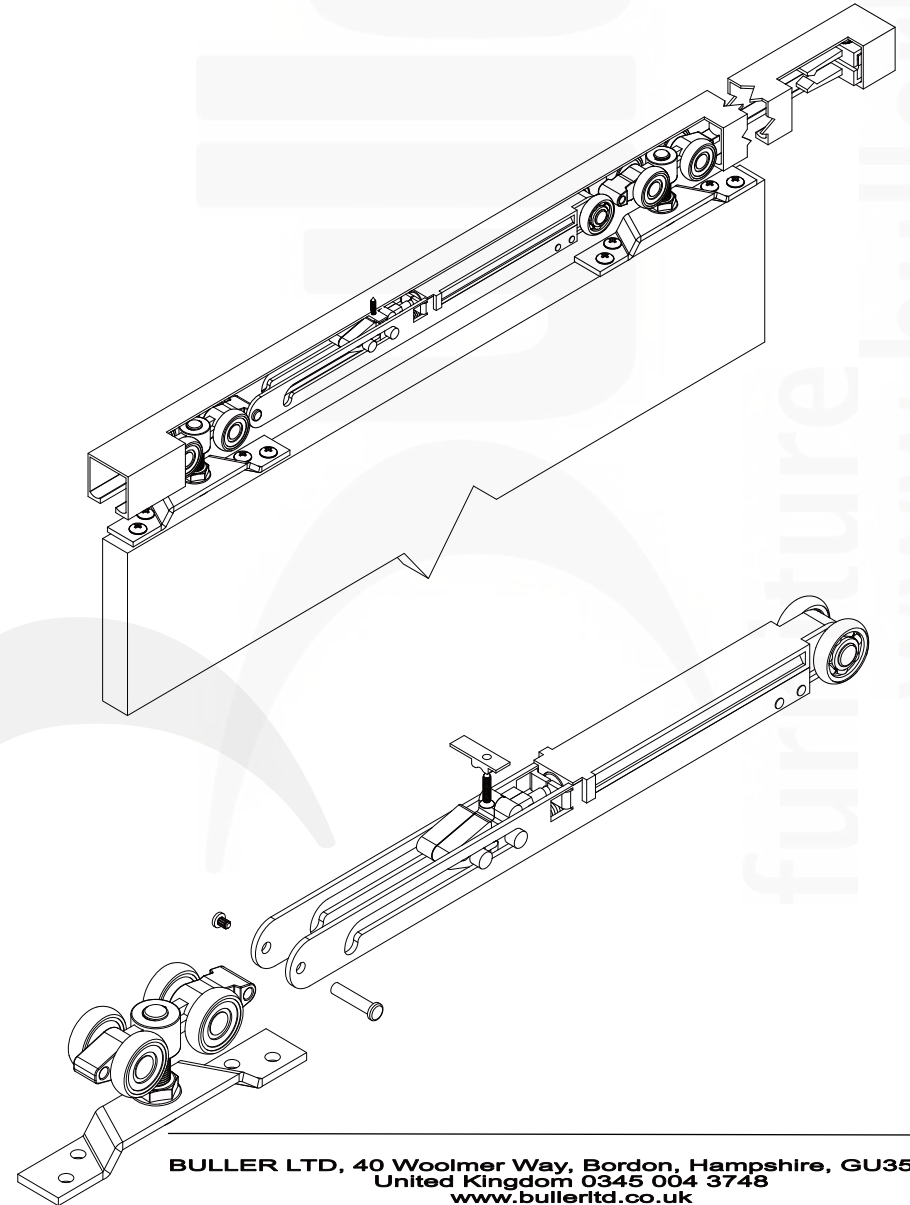
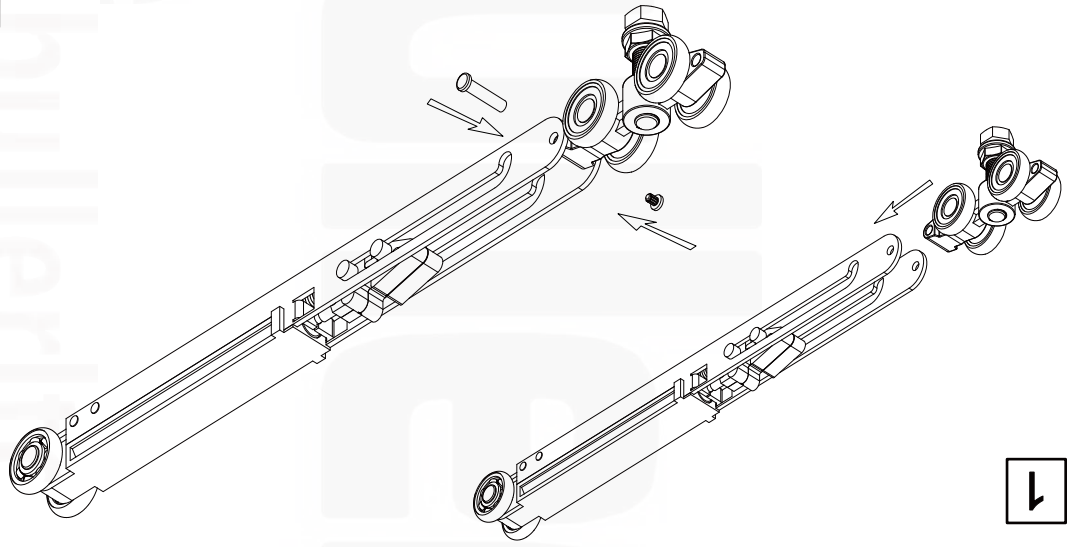




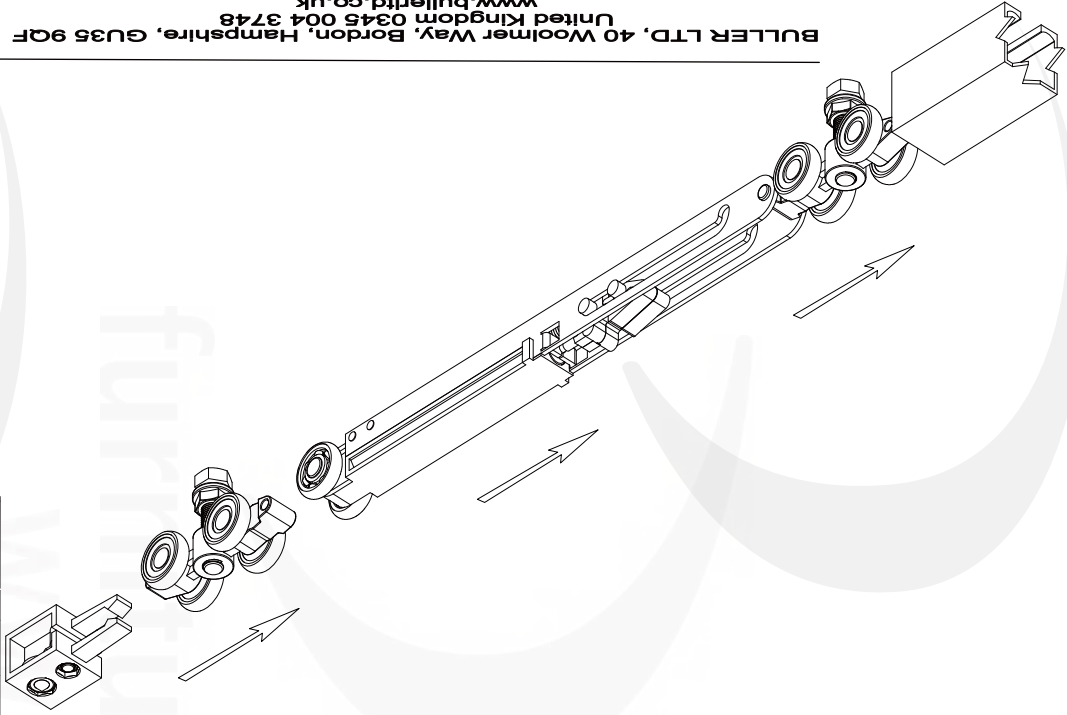
Damper for Scarab 50kg



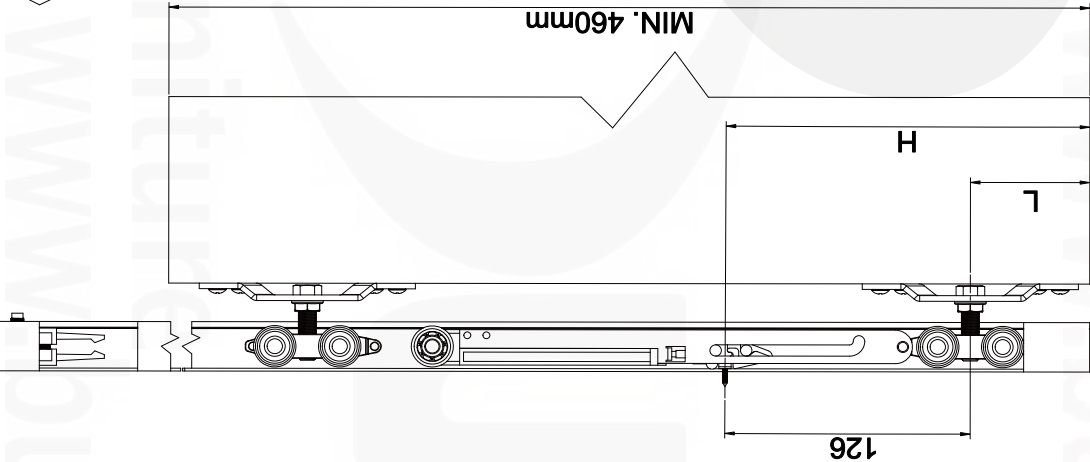
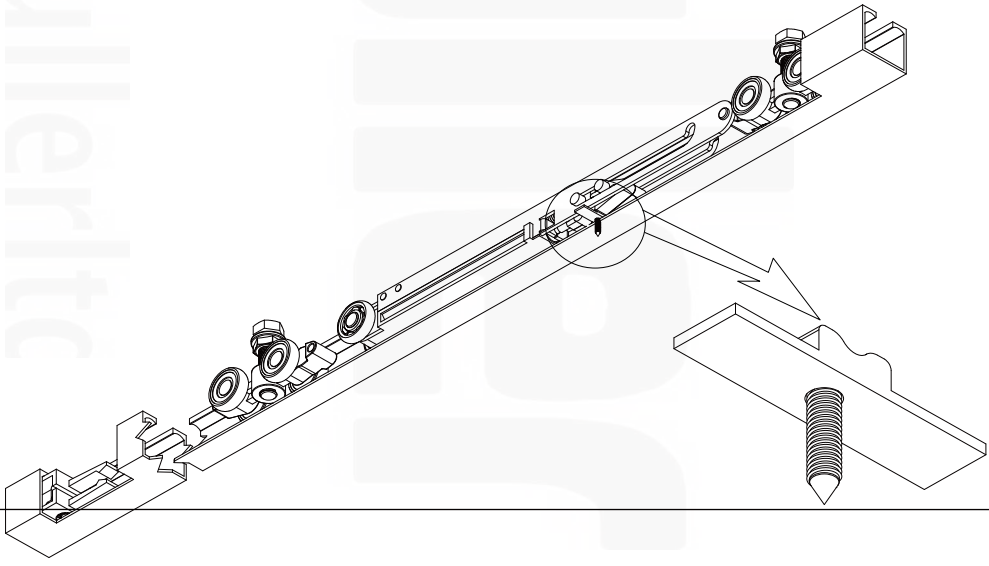
1



2



3



$$H = L + 126$$

