

KINVARO

F-20 folding flap fitting



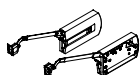
- Holds flap securely in any position
- Extremely smooth movement
- Adjustable spring force
- Integrated adjustable closing damper
- Flap with 3-dimensional adjustment – height, side, angle: direct adjustment ± 1.5 mm
- Reveal with 3-dimensional adjustment – height, side, angle: Direct adjustment
- Opening limiter adjustable to 90°
- Wide range of applications for many different flap materials
- Fast, tool-free clip fitting of the front
- Pre-assembled Euro screws and positioning pins for easy mounting of the fitting on the side wall
- High stability
- Weight 3.8 to 19.2 kg
- Range of flaps:
Width: 400-1,200 mm
Height: 520-900 mm
- Cover caps in white and grey, similar to RAL 7045

AREA OF APPLICATION

Cabinet height (KH)	Steering arm type	Flap weight incl. handle (kg)		
		Lift mechanism B	Lift mechanism C	Lift mechanism D
520-559	Type 2	4.6-13.8	-	-
560-599	Type 3	4.4-12.6	7.0-14.7	-
600-649	Type 4	4.1-12.1	6.8-15.8	-
650-699	Type 5	3.8-11.4	6.7-16.9	-
700-749	Type 6	-	6.5-16.4	10.0-18.0
750-799	Type 7	-	6.0-15.6	8.6-19.2
800-849	Type 7	-	-	7.8-18.0
850-900	Type 7	-	-	6.5-16.5

ORDER INFORMATION

Kinvaro F-20 folding flap fitting with white cover cap
Set: Folding flap fitting, screw-on bracket for wood, cover caps, link hinges



KH	B	C	D
520 - 559 mm	F152147837		
600 - 649 mm		F152147842	
700 - 749 mm		F152147844	
750 - 900 mm		F152147787	F152147847

Kinvaro F-20 folding flap fitting with grey cover cap
Set: Folding flap fitting, screw-on bracket for wood, cover caps, link hinges

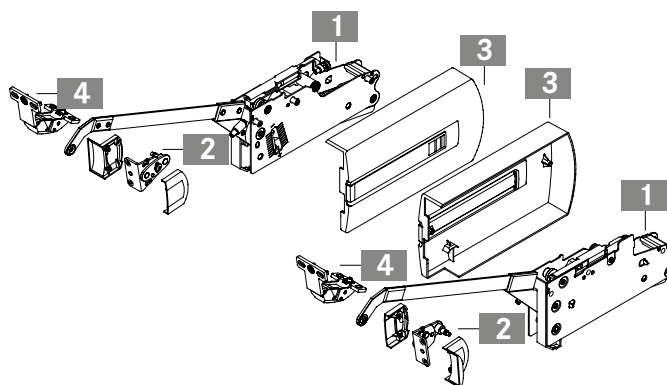


KH	B	C	D
520 - 559 mm	F152145237		
560 - 599 mm	F152145238	F152145239	
600 - 649 mm	F152145240	F152145241	
650 - 699 mm	F152145242	F152145243	
700 - 749 mm		F152145244	F152145245
750 - 900 mm		F152145246	F152145247

Kinvaro F-20 set consisting of:

- 1 Fitting right and left (1x)
 - 2 Screw-on bracket for wood connection incl. cover caps (2x)
 - 3 Cover caps right and left (1x)
 - 4 Link hinges (2x)
- Paper template (1x), assembly instructions (1x)

Note: Please order Tiomos 120° hinges with spring, without damping as well as Tiomos mounting plates for top panel separately.



PAGE REFERENCES

Kinvaro F-20 adjustment options	78				
Assembly aids	88				