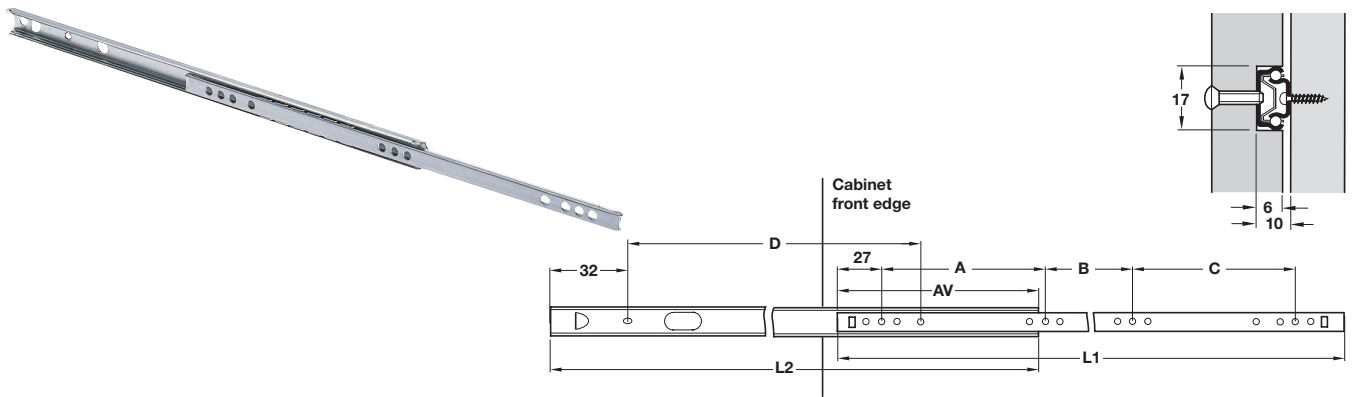


# BALL BEARING GROOVE RUNNERS

## Drawer runners, single extension

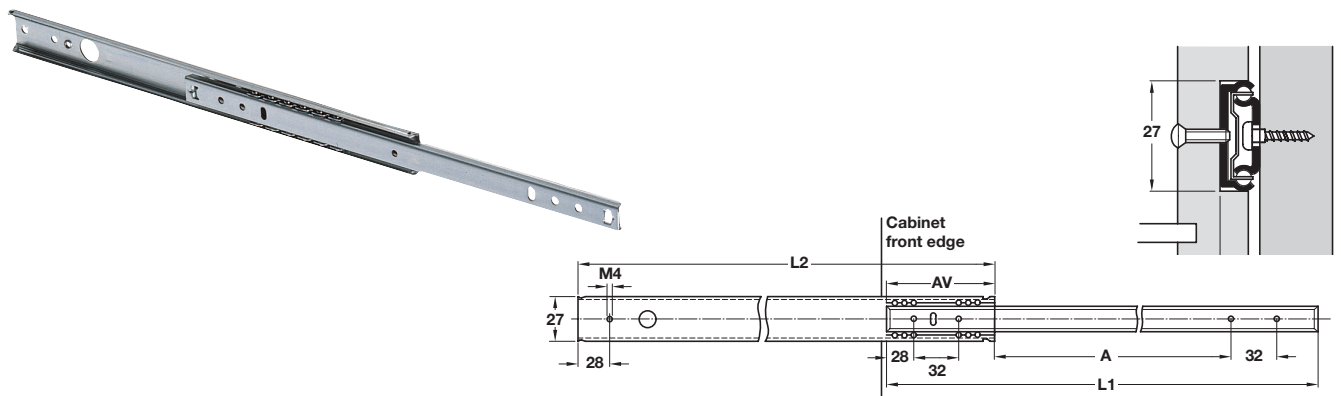


- > Suitable for 17 mm grooved drawers
- > 10 kg carrying capacity
- > Guided by means of two ball cages
- > Galvanized steel
- > Order qty: 1 pair



Drawer depth	L1 carcass rail	L2 drawer rail	AV extension loss	Dim.A	Dim. B	Dim. C	Dim. D	Cat. No.
187 - 284 mm	182 mm	187 mm	60 mm	64 mm	-	64 mm	141 mm	420.68.182
251 - 400 mm	246 mm	251 mm	72 mm	96 mm	-	96 mm	205 mm	420.68.253
280 - 489 mm	278 mm	283 mm	72 mm	96 mm	32 mm	96 mm	-	420.68.280
312 - 513 mm	310 mm	315 mm	72 mm	128 mm	-	128 mm	266 mm	420.68.315
352 - 570 mm	342 mm	347 mm	96 mm	128 mm	32 mm	128 mm	306 mm	420.68.350
376 - 616 mm	374 mm	379 mm	96 mm	160 mm	-	160 mm	330 mm	420.68.379
432 - 620 mm	424 mm	430 mm	96 mm	128 mm	128 mm	128 mm	356 mm	420.68.400

## Drawer runners, single extension



- > Suitable for 27 mm grooved drawers
- > 12 kg carrying capacity
- > Guided by means of two ball cages
- > Galvanized steel
- > Order qty: 1 pair



Drawer depth	L1 carcass rail	L2 drawer rail	AV extension loss	Dim.A	Cat. No.
246 - 338 mm	246 mm	246 mm	82 mm	128 mm	420.95.394
278 - 452 mm	278 mm	278 mm	82 mm	160 mm	420.95.456
310 - 516 mm	310 mm	310 mm	74 mm	192 mm	420.95.527
350 - 568 mm	342 mm	342 mm	74 mm	224 mm	420.95.572
374 - 632 mm	374 mm	374 mm	74 mm	256 mm	420.95.643
406 - 696 mm	406 mm	406 mm	74 mm	288 mm	420.95.705

PAGE AMENDED  
28.05.14/1