



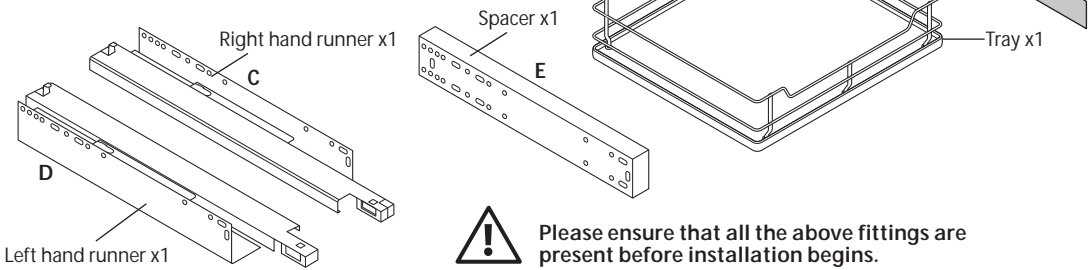
INDIVIDUAL PULL-OUT PLUS - 300/400/450/500/600mm (IP2IP300/400/450/500/600)

Assembly and fitting instructions

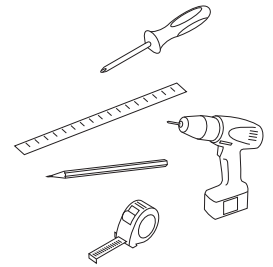


! **IMPORTANT - The unit has a maximum loading limit of 25kg. All fixings supplied must be used for installation.**

- Parts**
- A**  x5 3.5 x 40mm countersunk screw
 - B**  x5 3.5 x 16mm countersunk screw

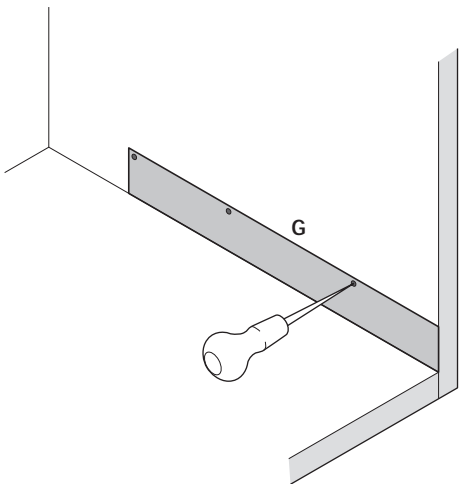


Tools required

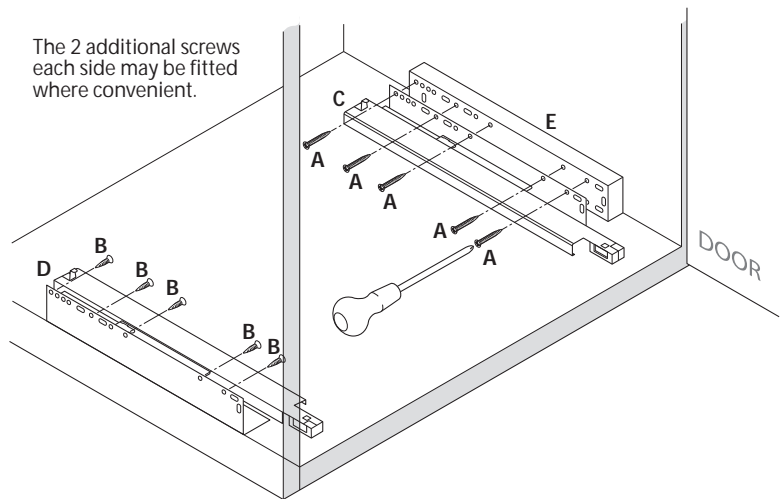


! Please ensure that all the above fittings are present before installation begins.

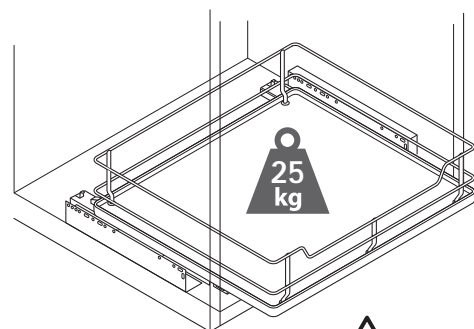
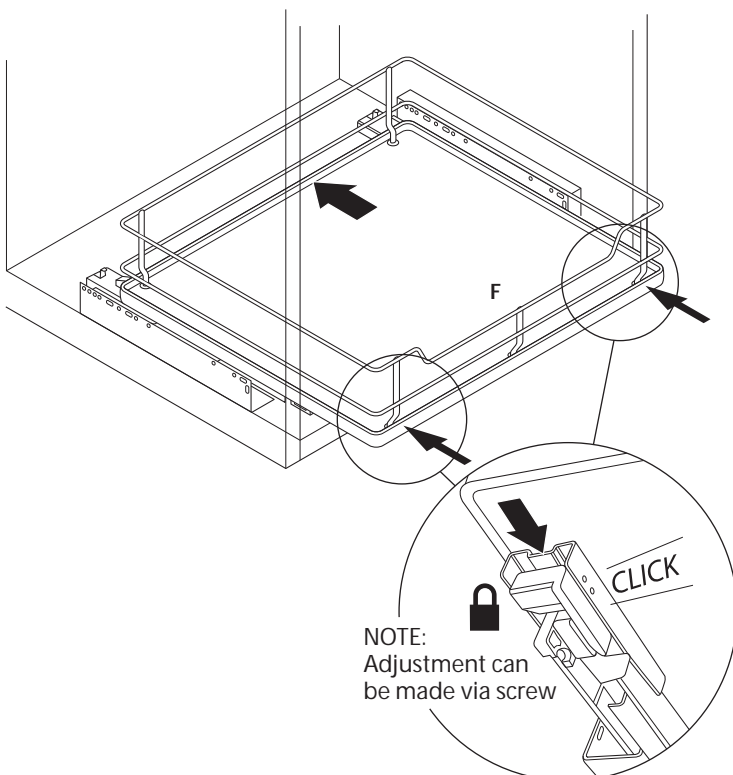
1 Use template to mark screw positions for left and right hand runners.



2 Secure runners to cabinet using 5 screws each side. On door hinge side, also use spacer provided, using longer fixing screws **A**.



3 Slide the tray along the runners until it locates on the rear stops and locks on the front clips.



! **IMPORTANT - The unit has a maximum loading limit of 25kg.**