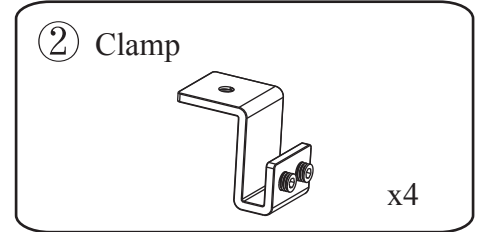
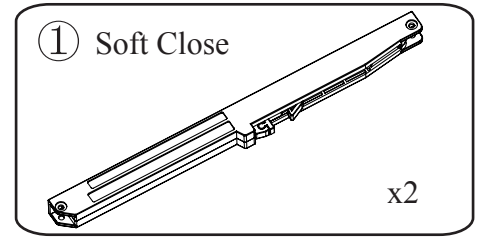
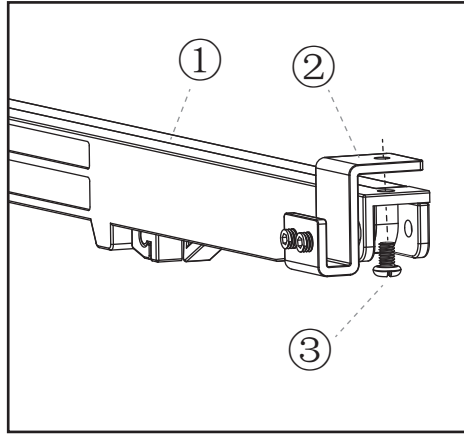
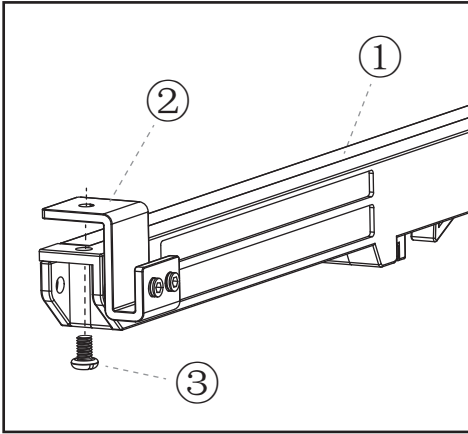
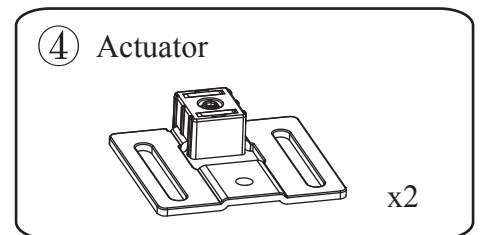
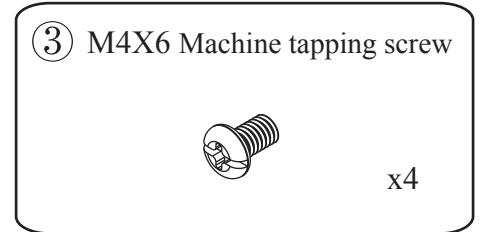
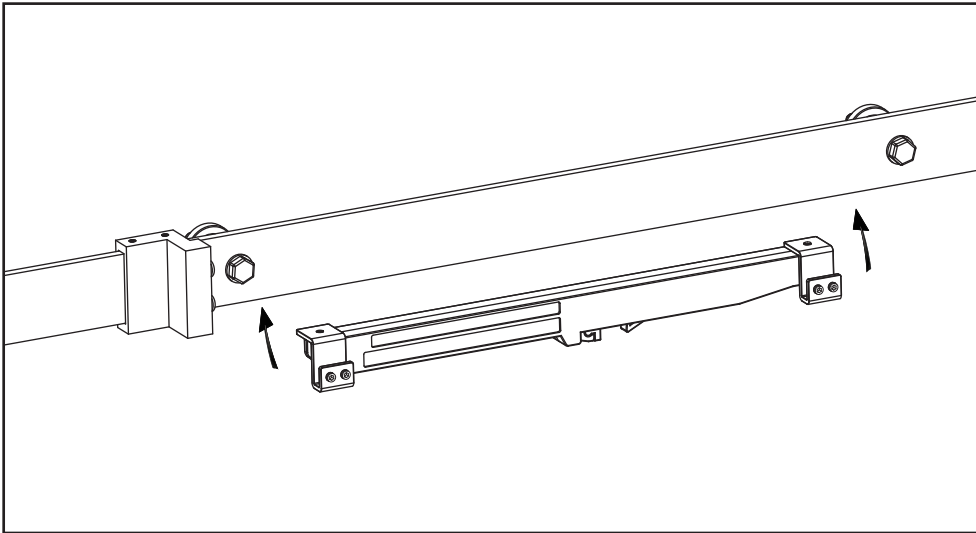


Installation of Soft Close for Barn Door

1 Install the clamp (Take the left as example)



2 Install the soft close



3 Install the actuator

