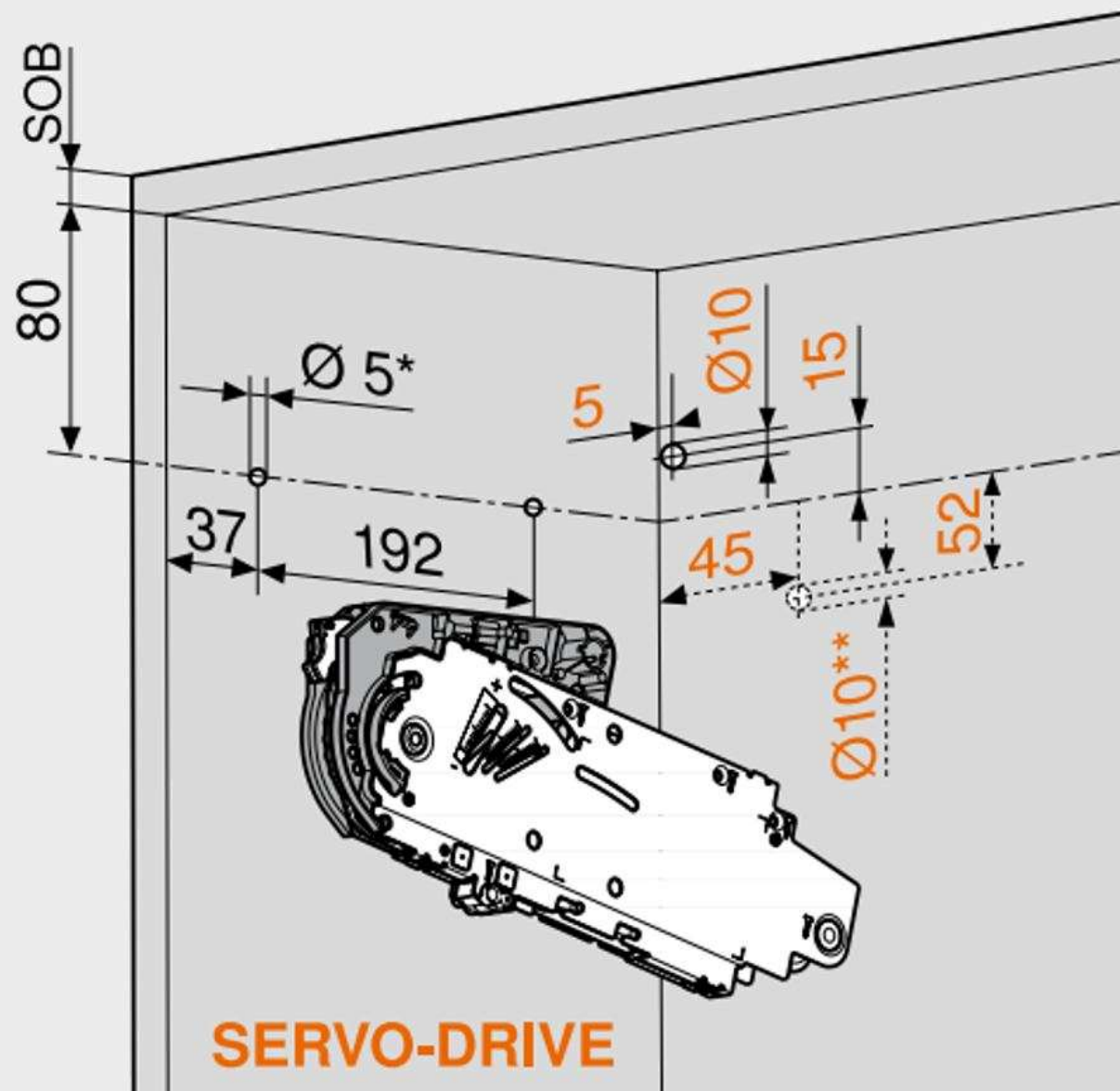


## Drilling position



5 x chipboard screws  $\text{Ø } 4 \times 35 \text{ mm}$

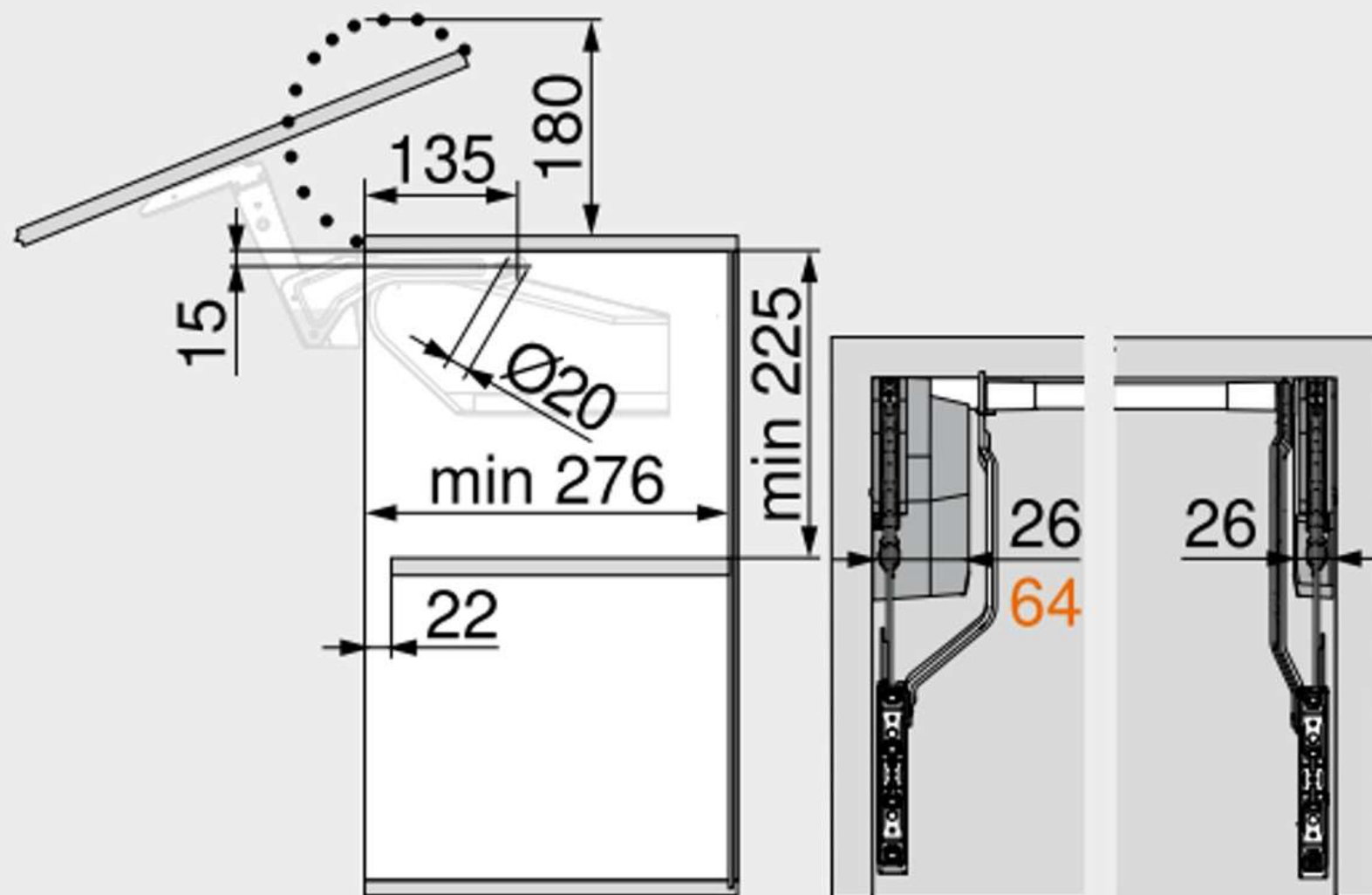
Drilling for SERVO-DRIVE distribution cable, left only

SOB Top panel thickness

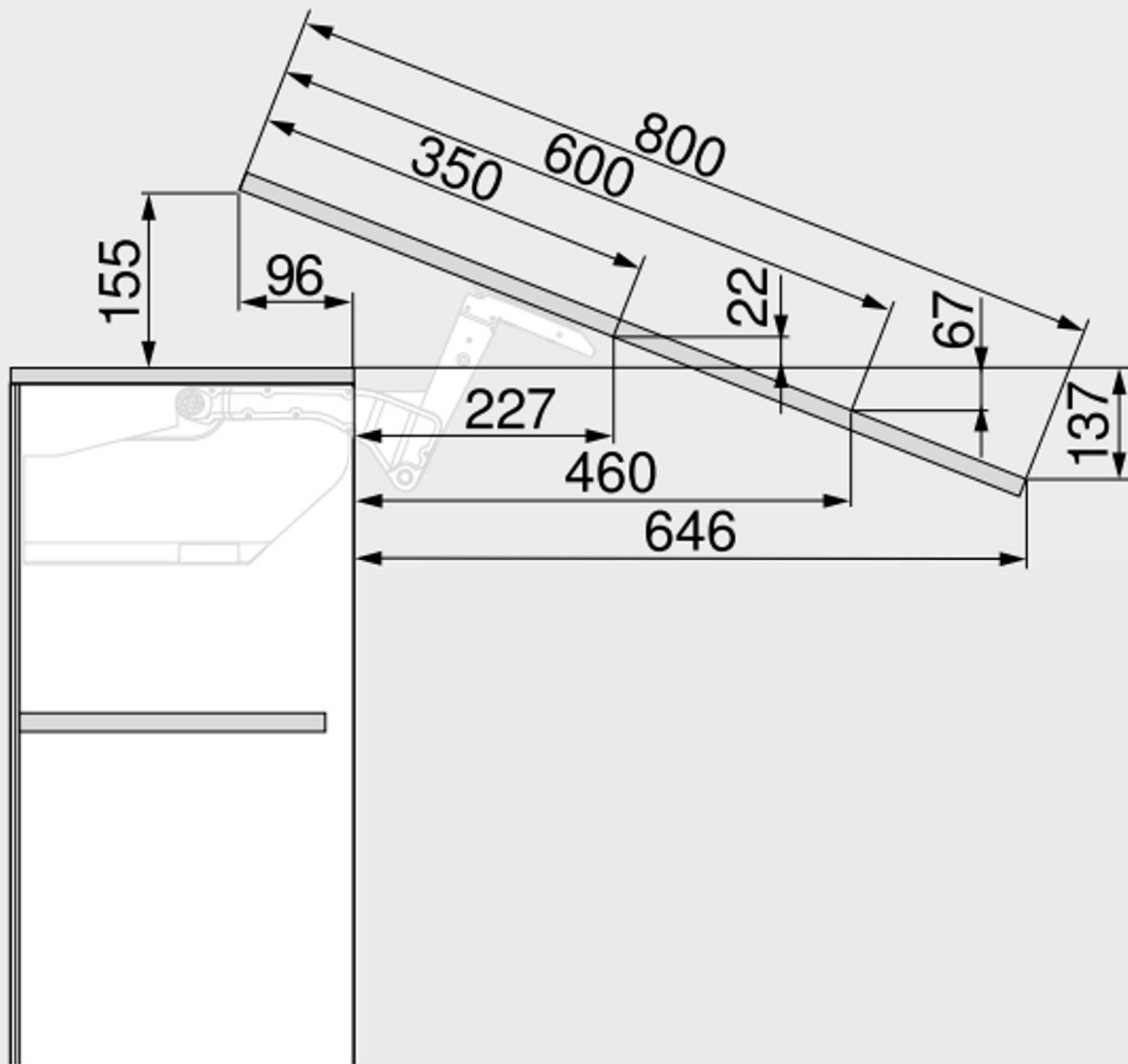
\* Drilling depth 5 mm

\*\* Alternative drilling

# Space requirement

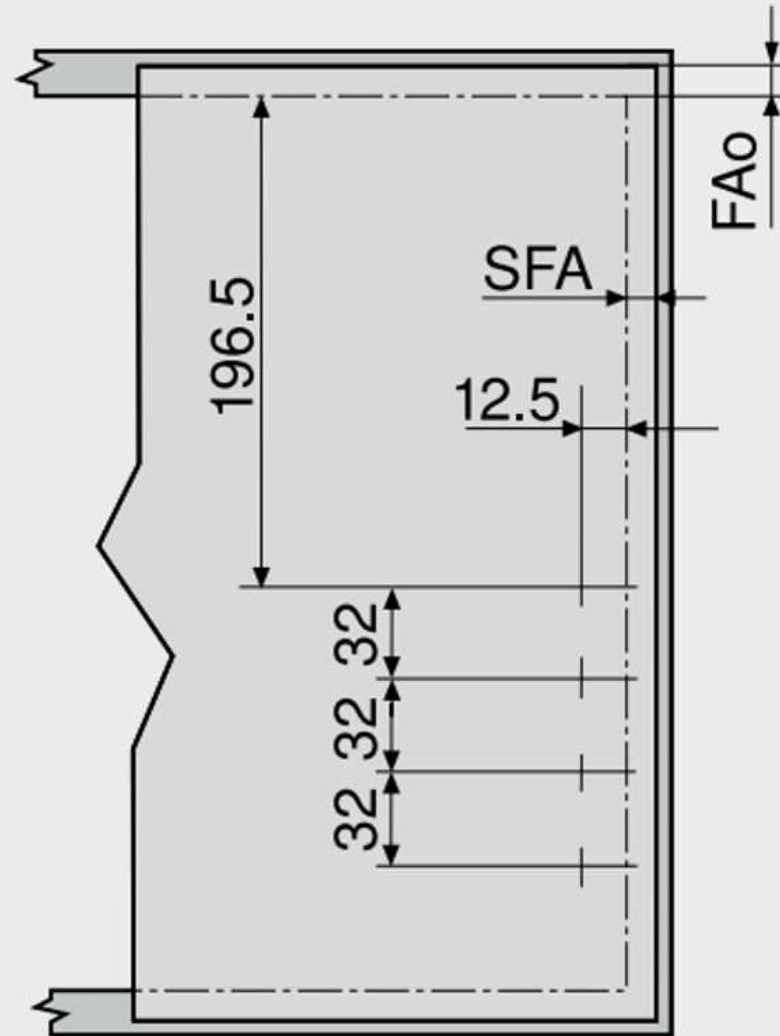


**SERVO-DRIVE**



Dimensions depend on tilt setting

## Front assembly – wooden fronts and wide alu frames



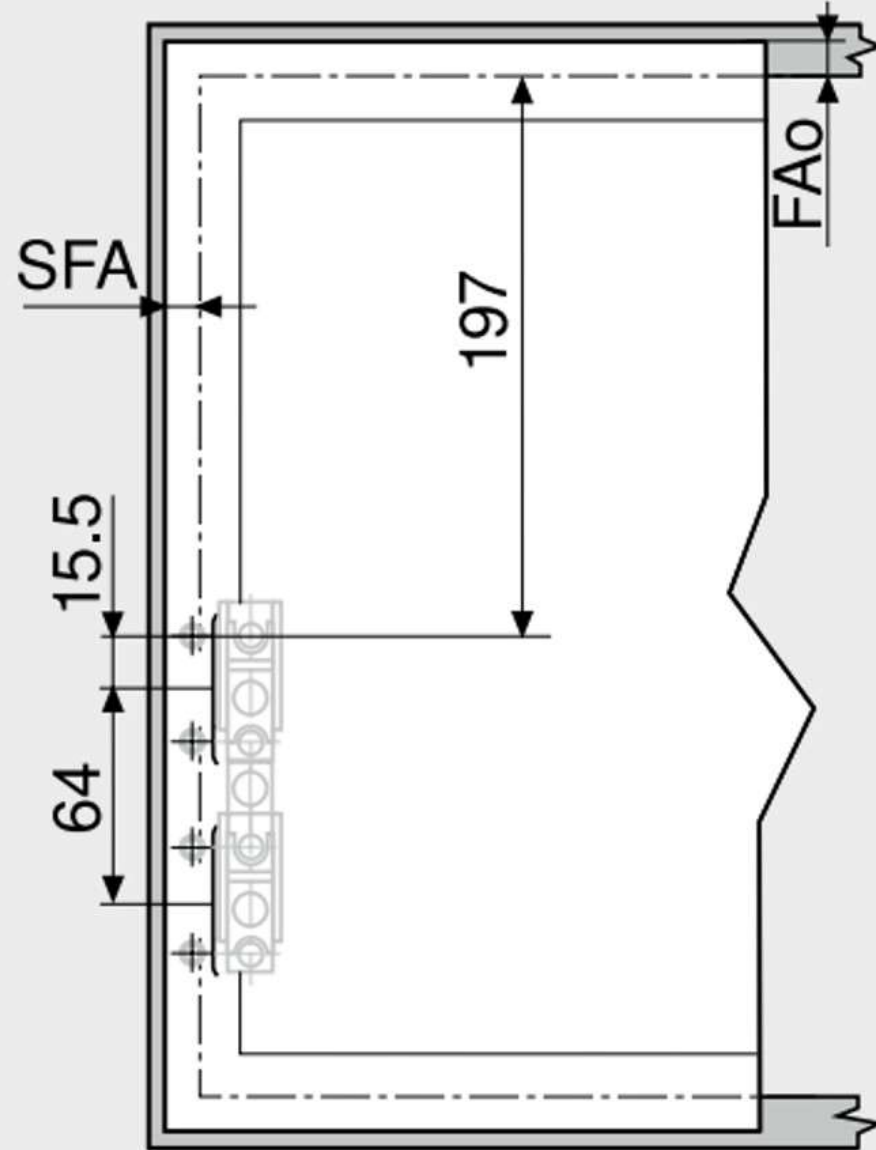
Use 4 chipboard screws (609.1x00) for wooden fronts  
Use 4 counter sunk self tapping screws (660.0950) for wide alu frames

FAo Upper front overlay

SFA Front overlay of the side panel

Wall application: min. gap required 5 mm

## Front assembly – narrow alu frames

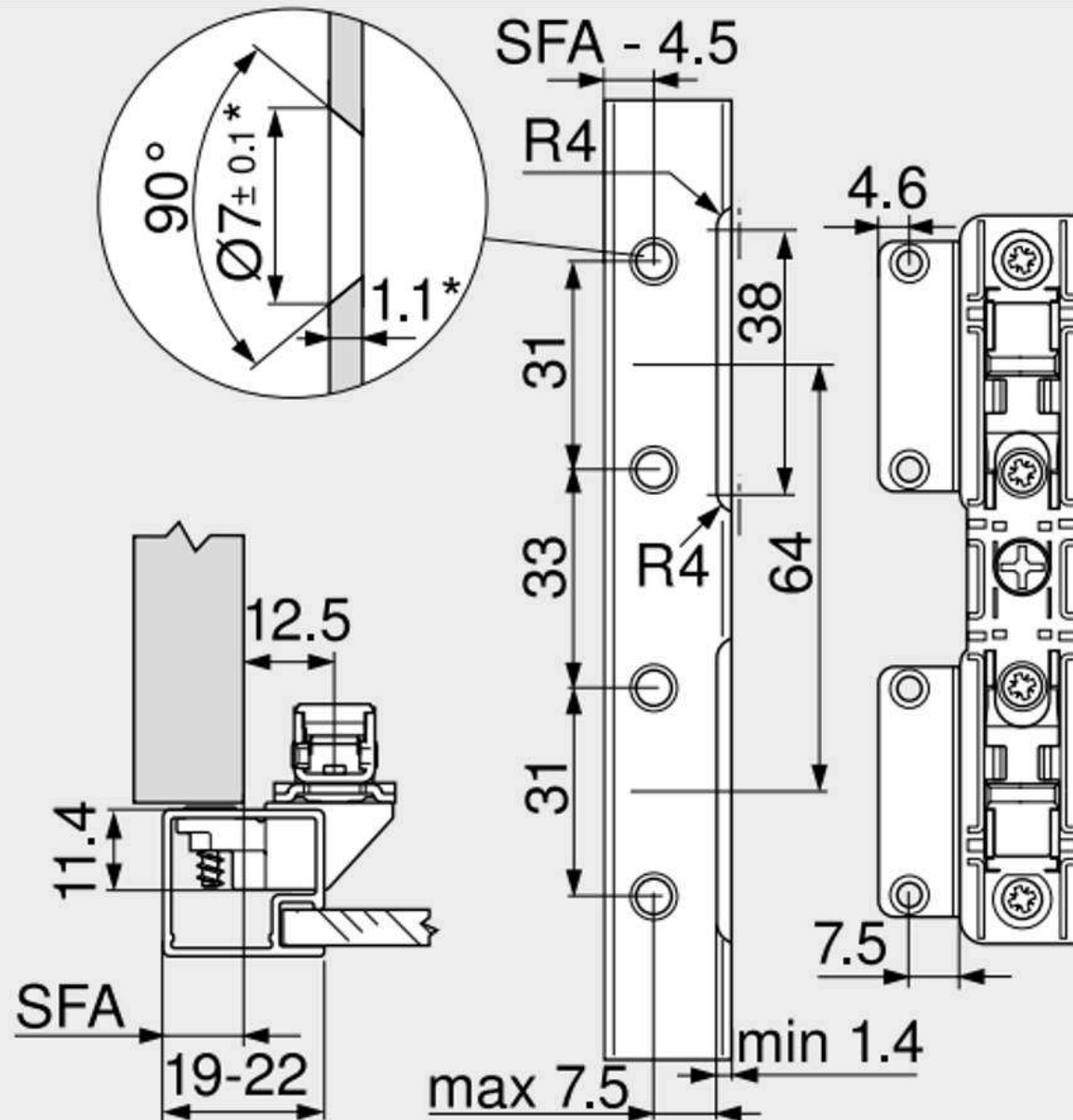


FAo Upper front overlay

SFA Front overlay of the side panel

Wall application: min. gap required 5 mm

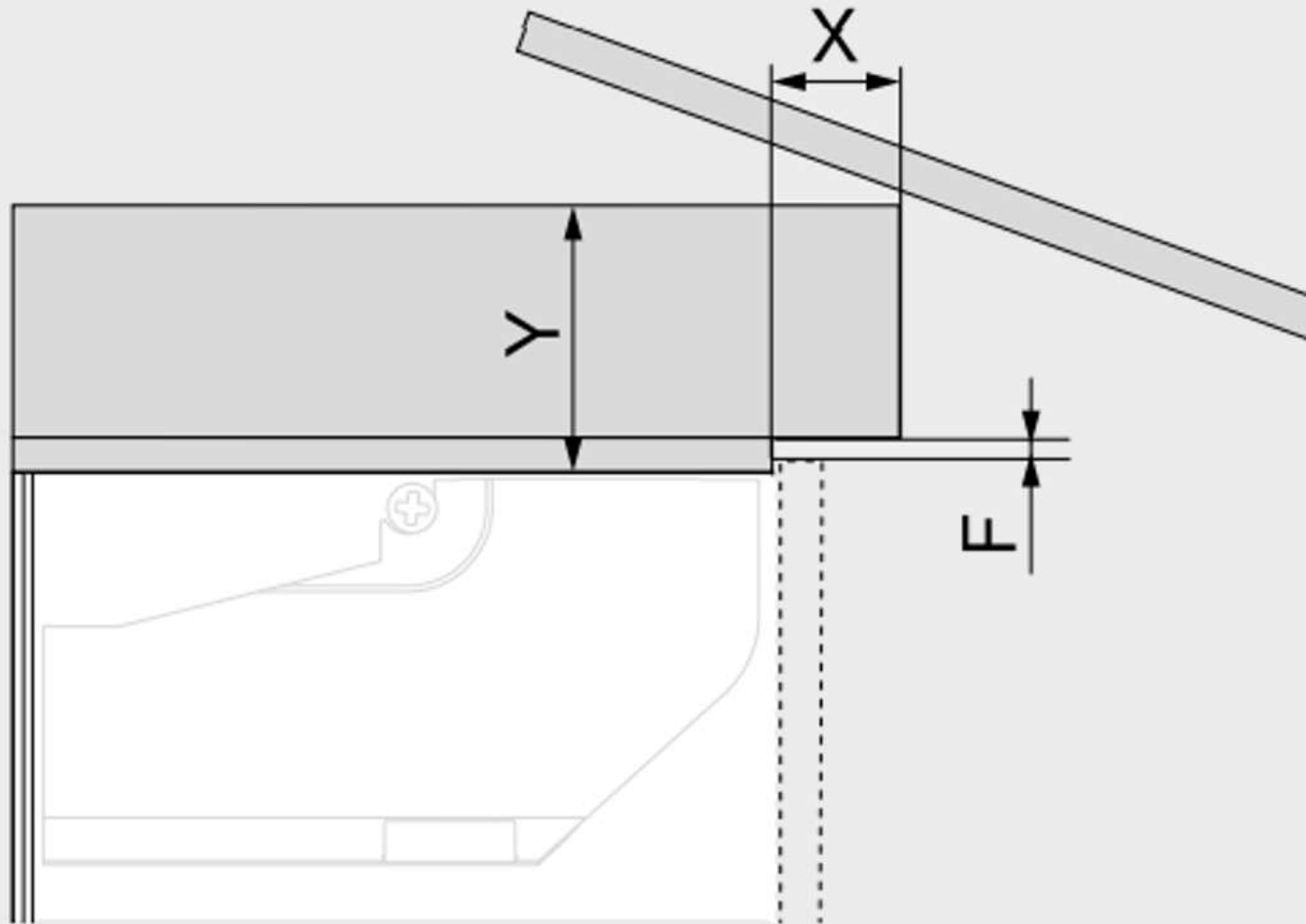
## Narrow alu frames



For frame width 19 mm, a side front overlay SFA of 11–18 mm is possible

\* When changing material thickness, adjust the assembly dimensions accordingly

## Space requirement – cornice | crown



Gap F (mm)	X max. (mm)	Y max. (mm)
3.0	35	101
2.0	31	101
1.5	28	101

## Connecting piece

