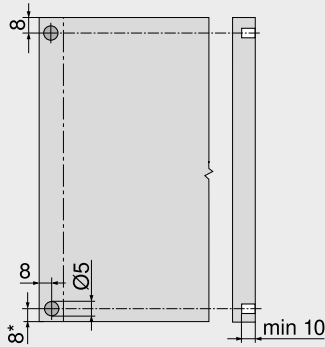
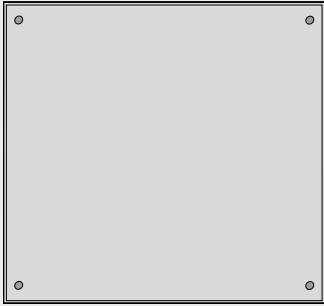


Wooden fronts, wide and narrow alu frames

Web code
DQDB2M

Planning

Blum distance bumper (SERVO-DRIVE application only)



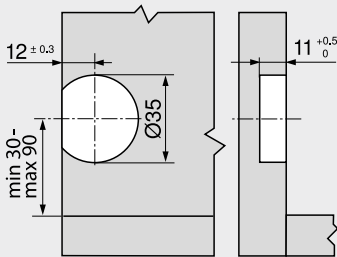
Insert Blum distance bumper (do not glue)

Recommendation for aluminium frames

Take into account drilling for the Blum distance bumper in the cabinet side
A trial application must be carried out when fixing to the front

* From cabinet bottom edge for fronts that protrude below

SERVO-DRIVE switch



Reference pages

Overview	37	Assembly, removal and adjustment
Ordering information – wooden fronts, wide and narrow alu frames	38	
E-SERVICES and assembly devices	590	Short URL
Machine directive	701	www.blum.com/a130
More technical details	698	

