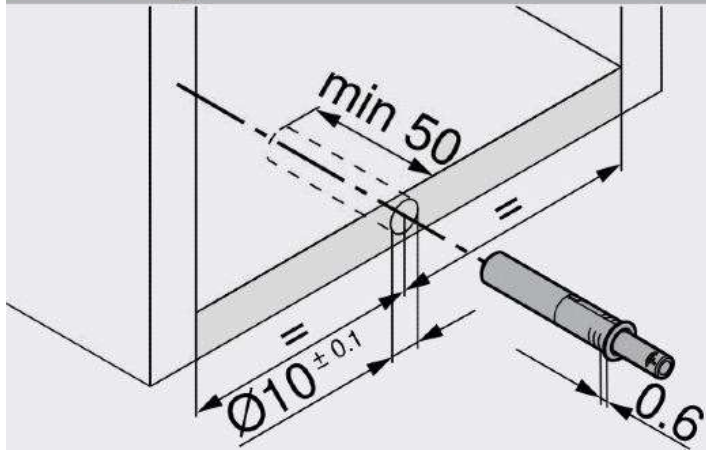
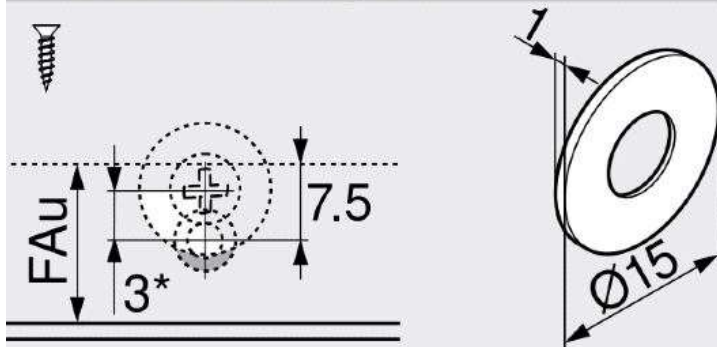


Planning



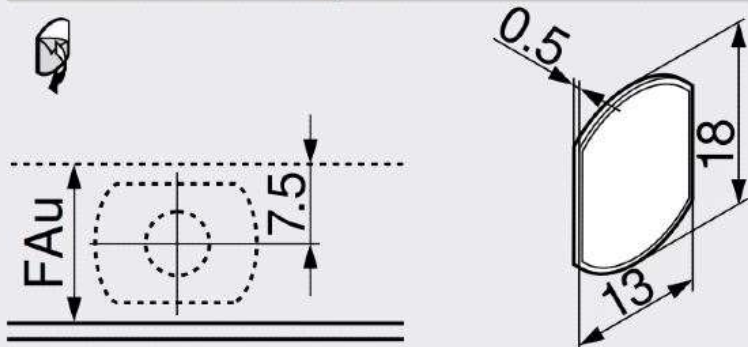
() Screw-on catch plate

Screw-on catch plate

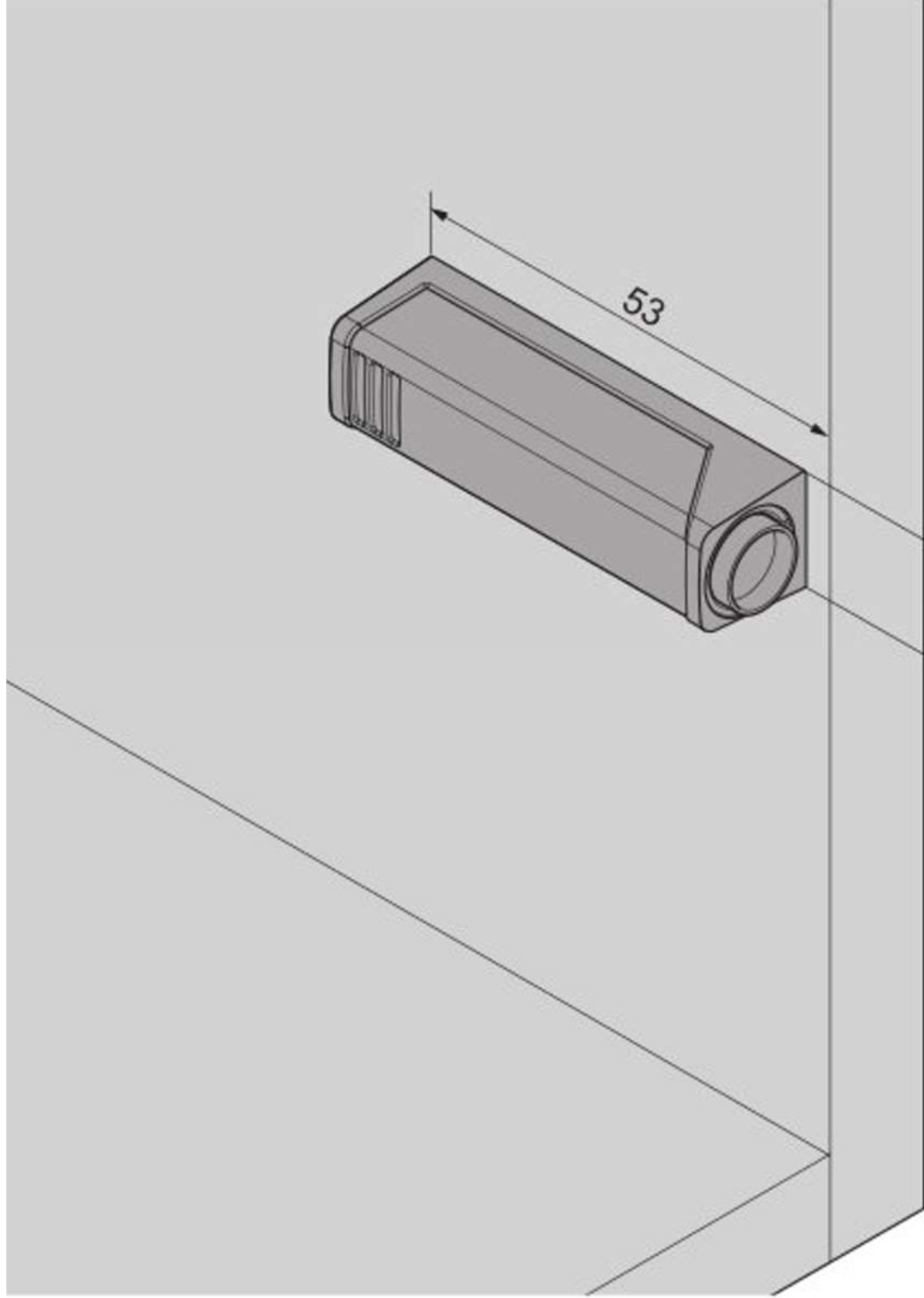


FAu Bottom front overlay
* 3 mm offset installation

Glue-on catch plate



FAu Bottom front overlay



53

14

