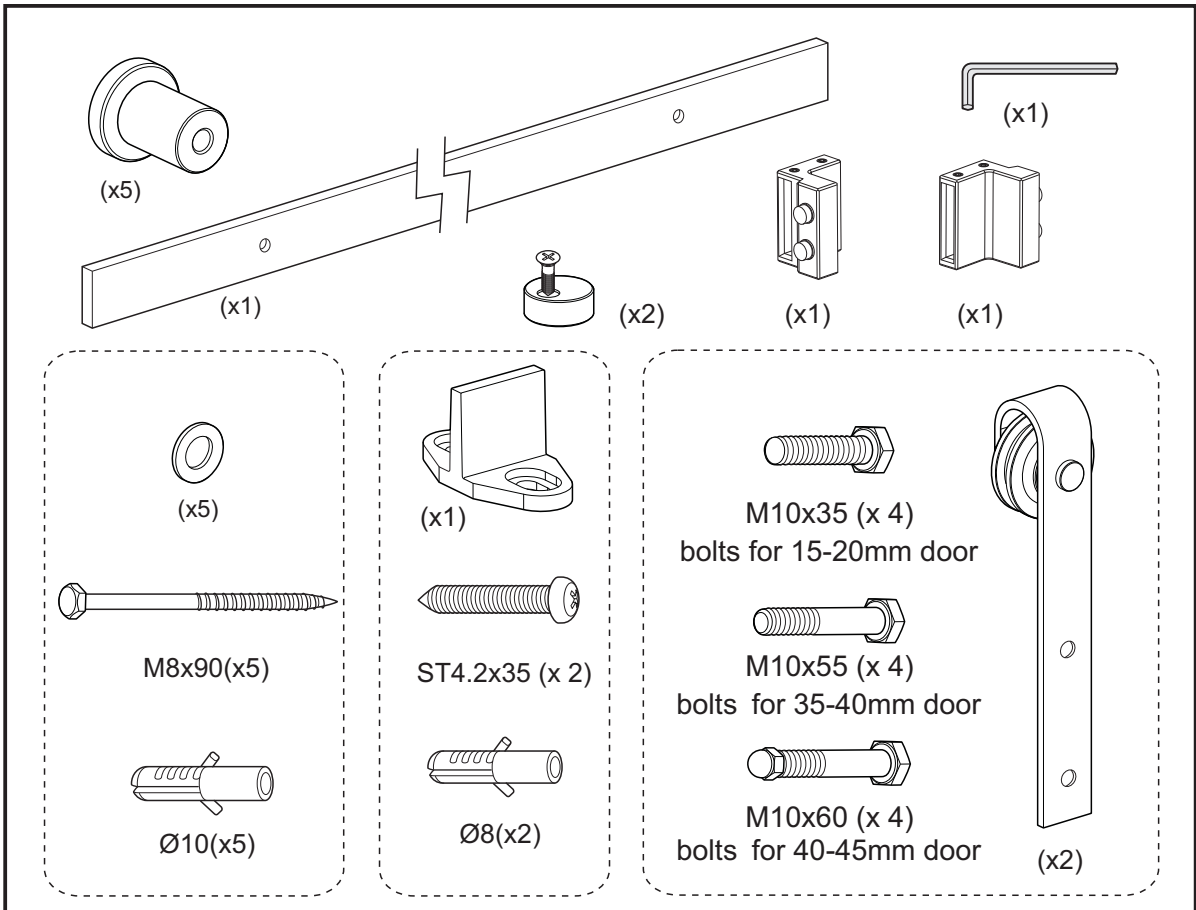
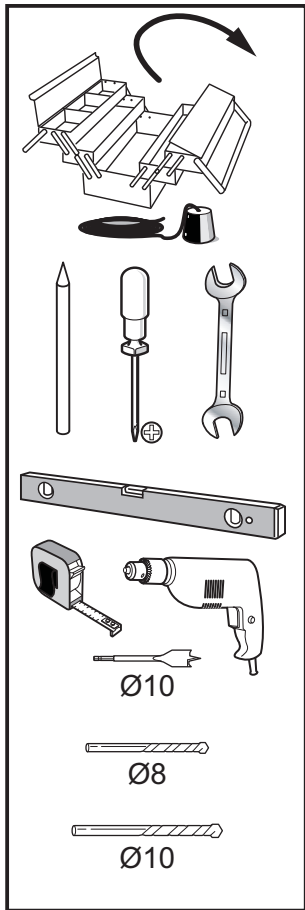
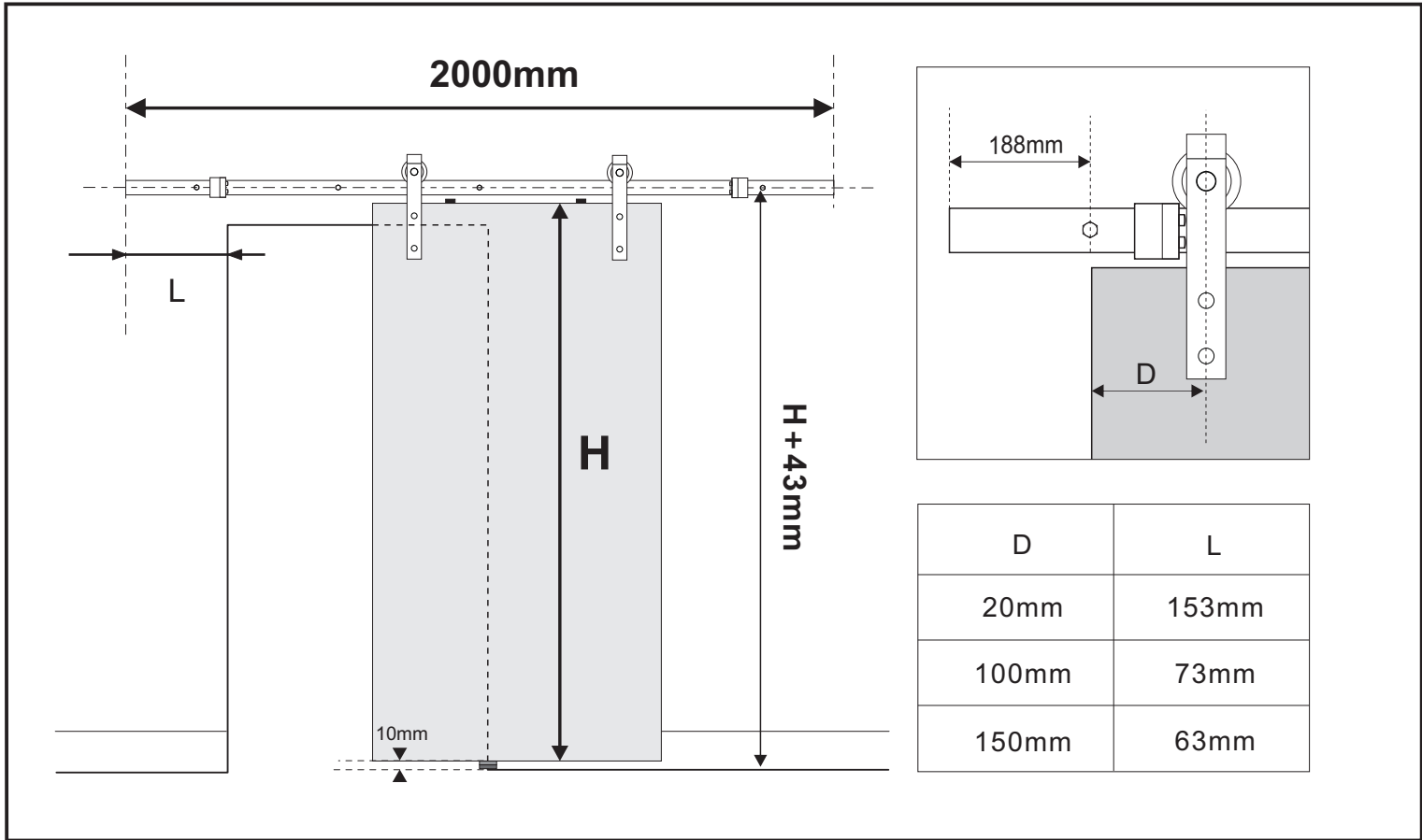
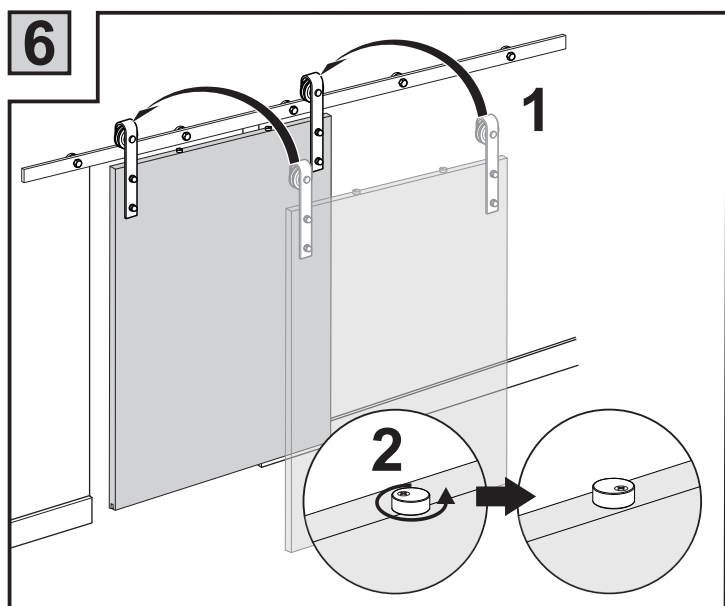
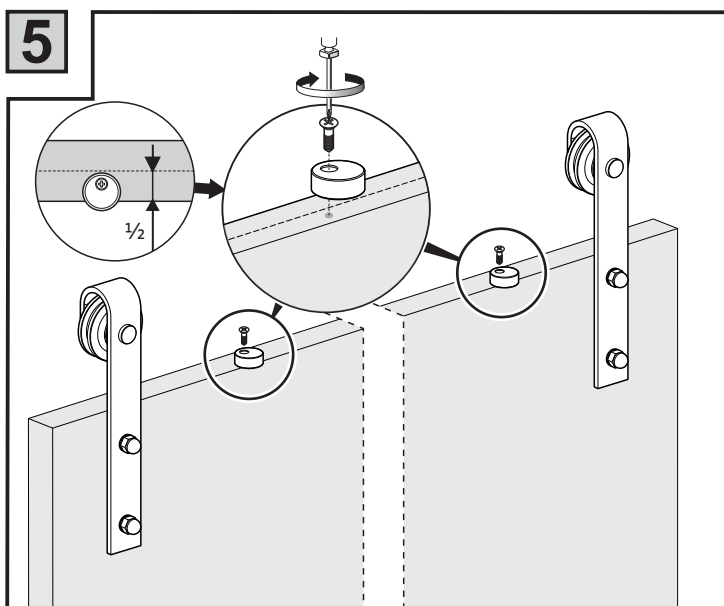
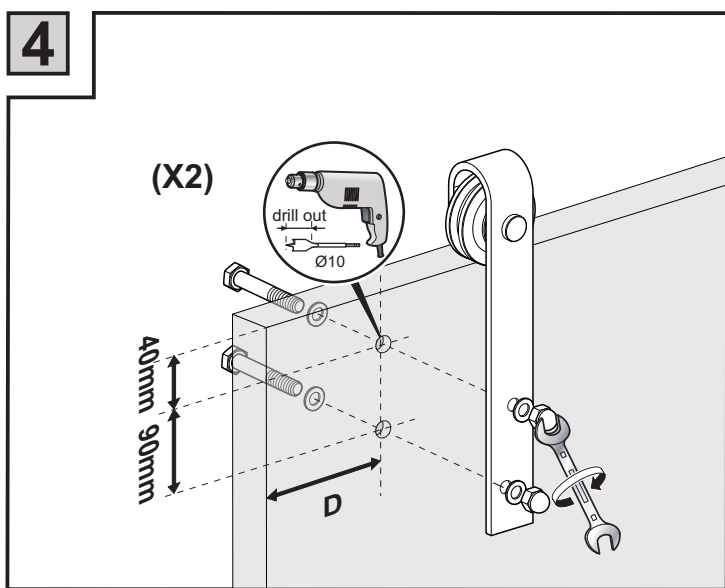
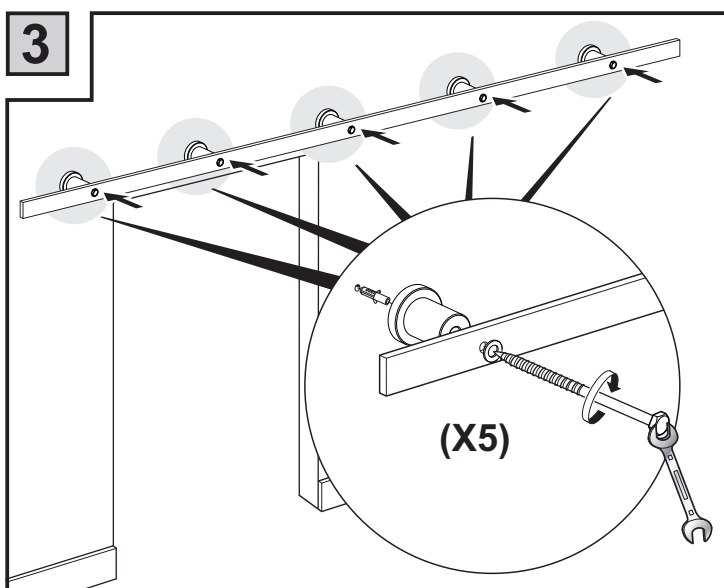
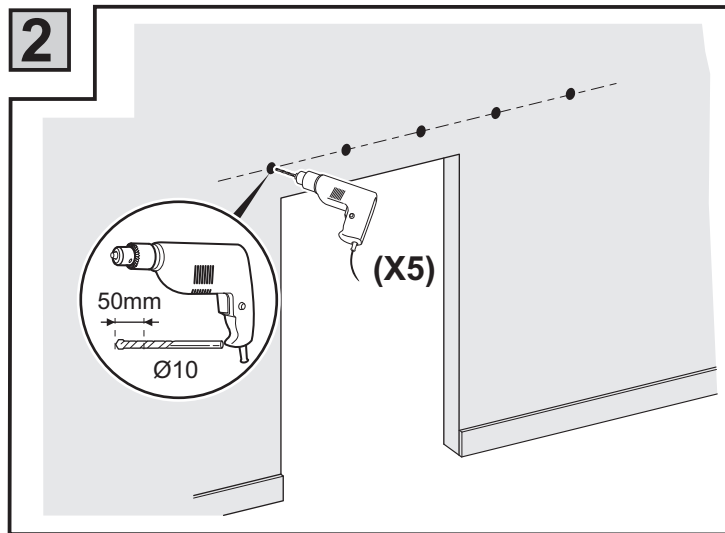
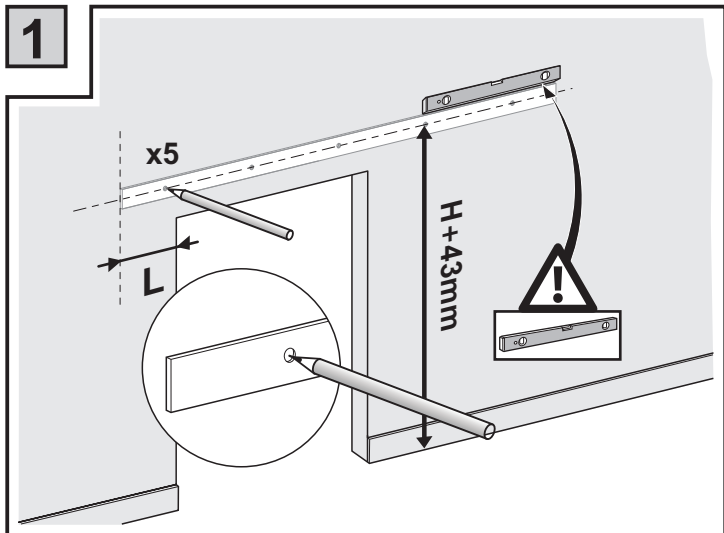
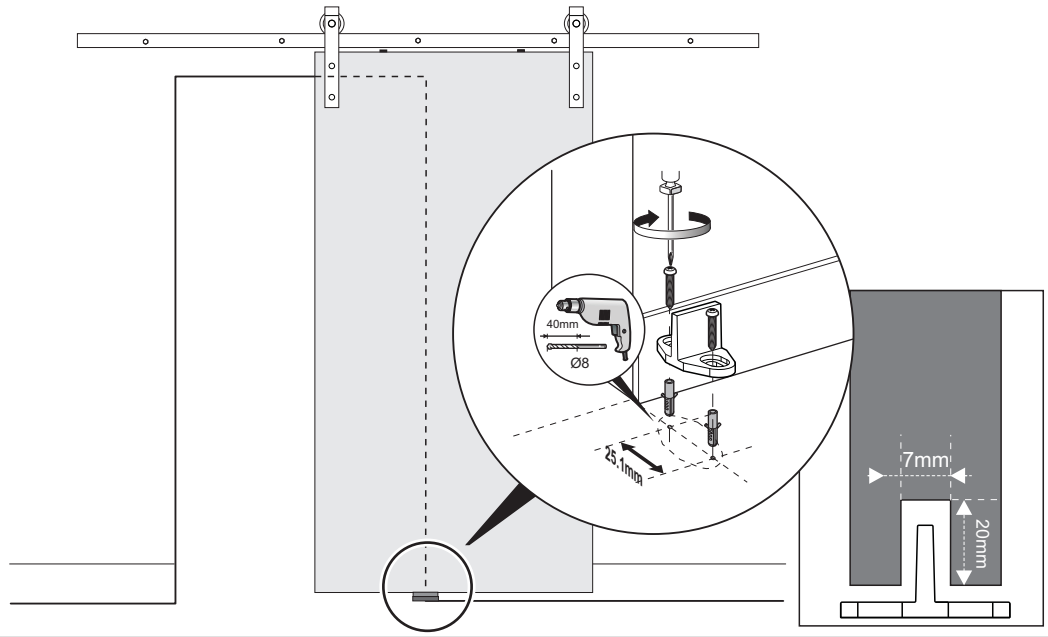


# Installation Manual: VENUS (1668-001)

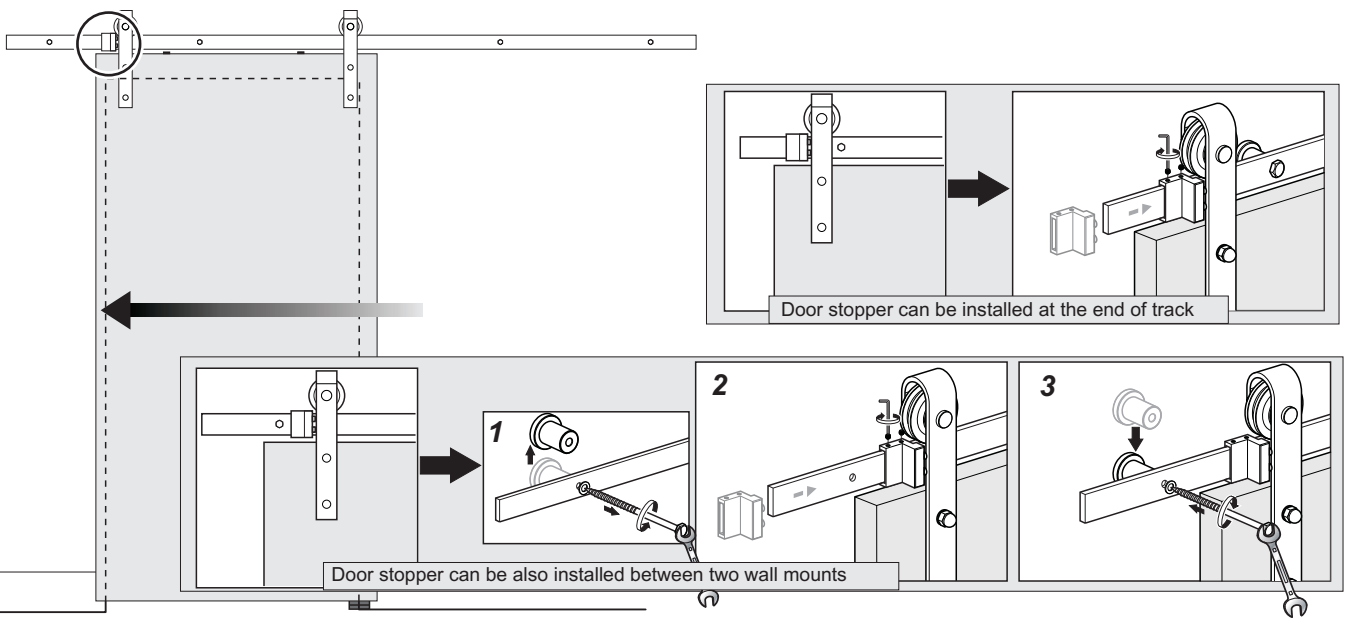




7



8



9

