



Slido F-Park72 50A

408.45.024	408.45.027
408.45.025	408.45.004
408.45.026	408.45.005



A 3x

5x

E

B

C

D

+

F 24x
4x20

G 6x
4x16 (Hp=2200-2700:10x)

i

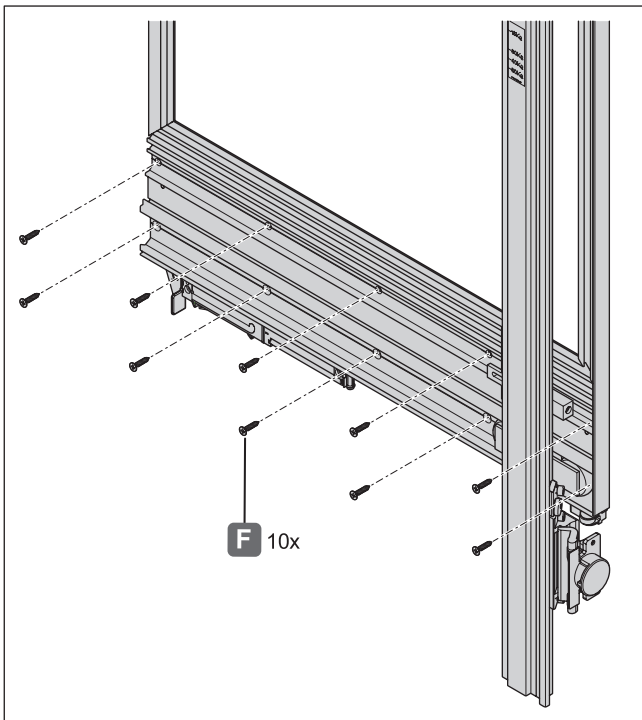
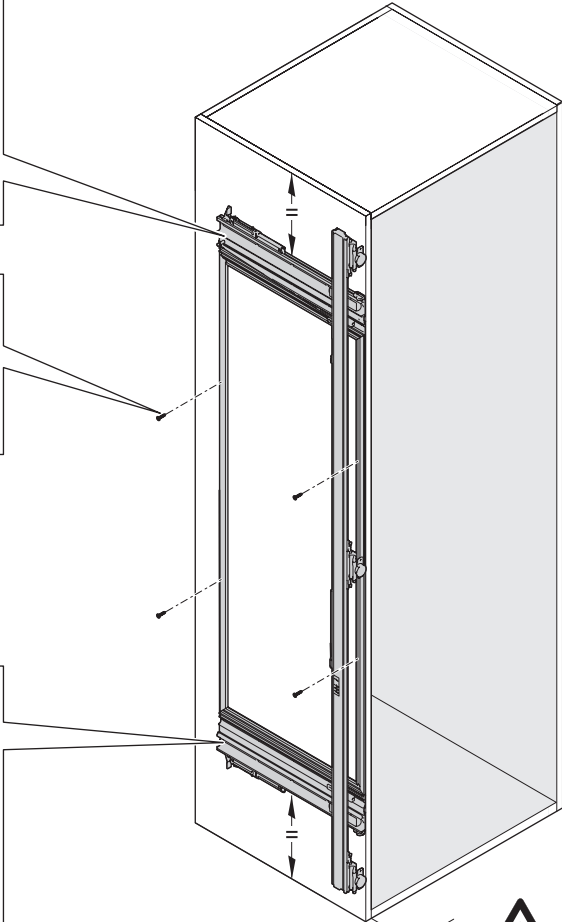
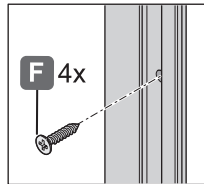
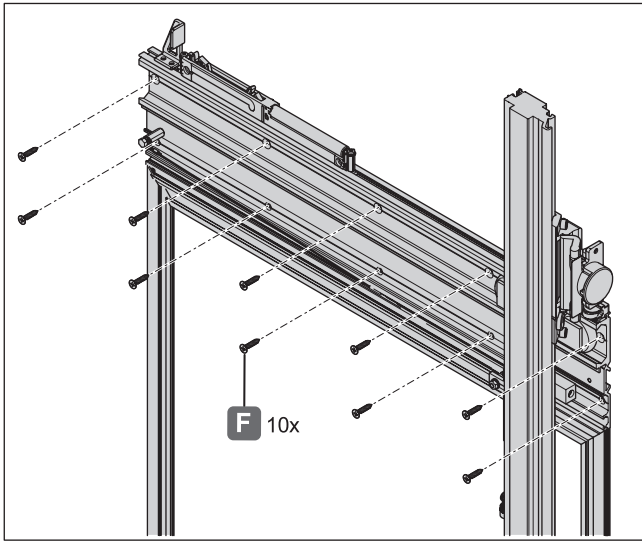
408.45.400

732.24.124

i		mm		
Pb: 560 Hp: 1200 - 1400 Hp: 1990 - 2200 Hp: 2200 - 2700 Pb: 665 Hp: 1200 - 1400 Hp: 1990 - 2200 Hp: 2200 - 2700	Lp: ≤ 650 Lb: ≤ 600	18 - 30	≤ 30 ≤ 50 ≤ 30 ≤ 50	3x 5x 3x 5x

HDE 09.05.2022

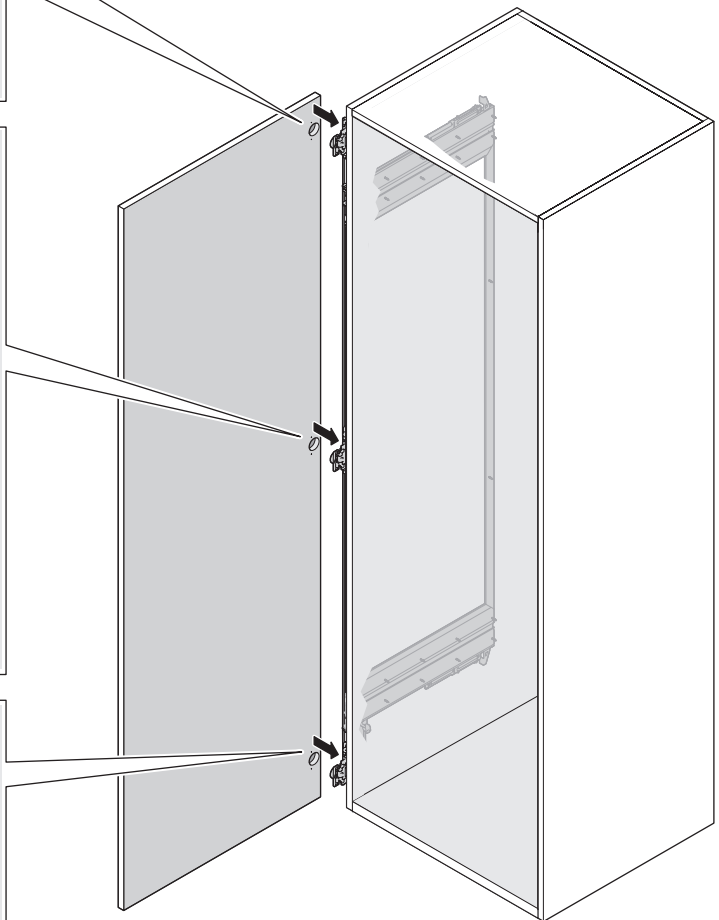
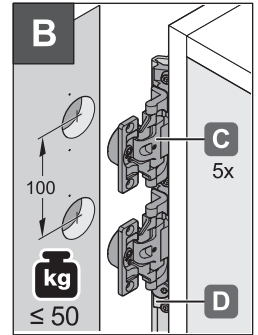
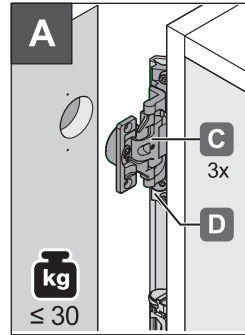
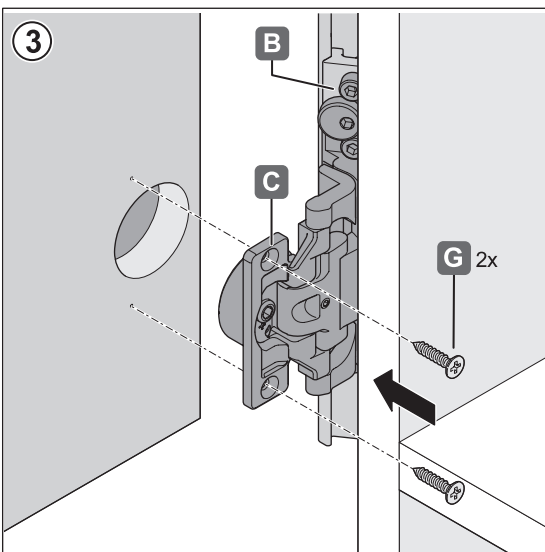
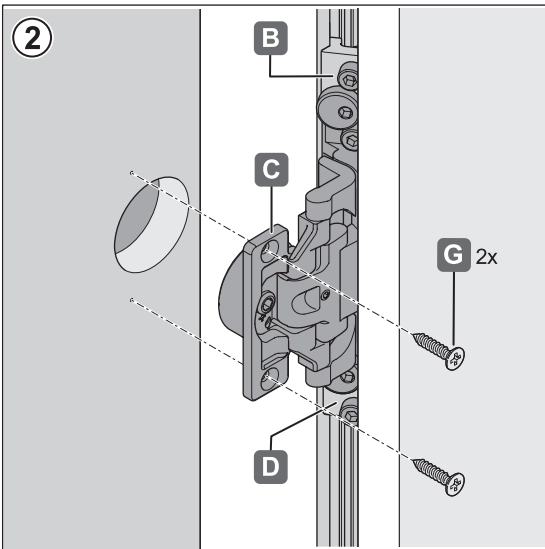
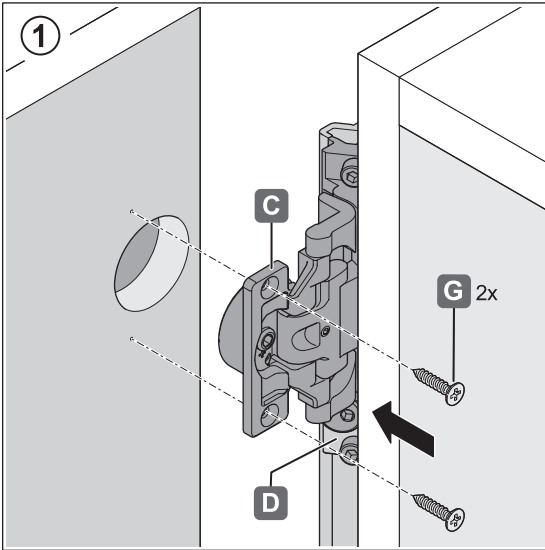
1



732.24.124

HDE 09.05.2022

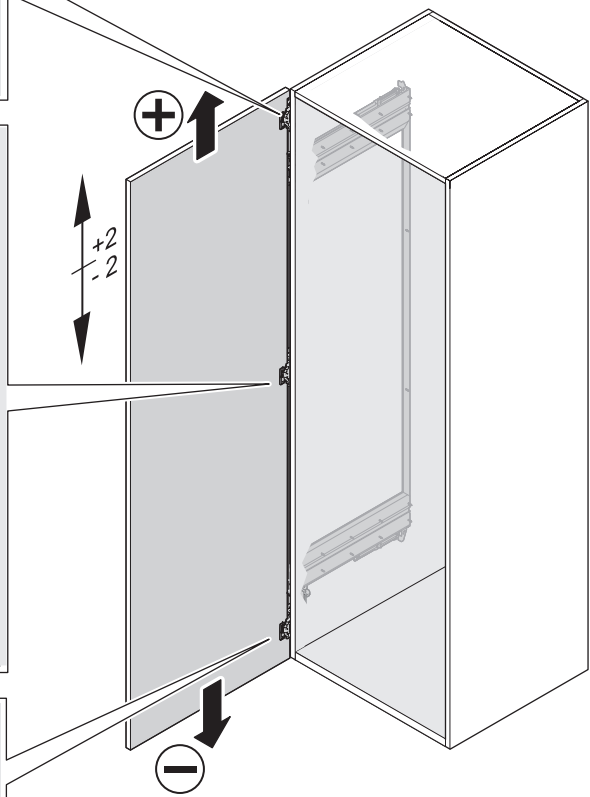
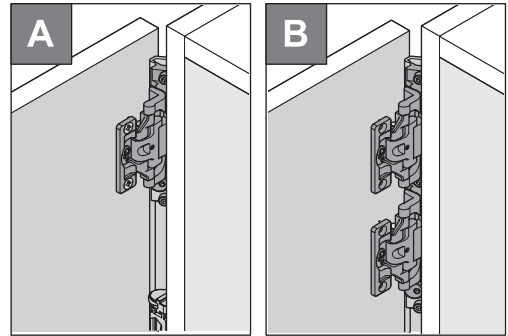
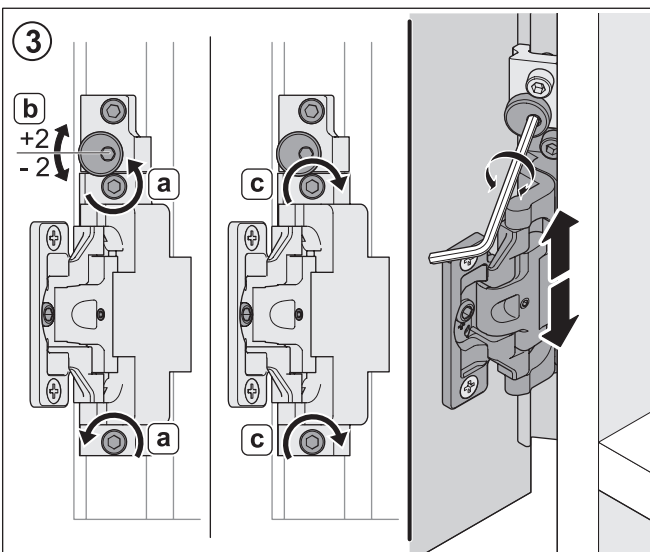
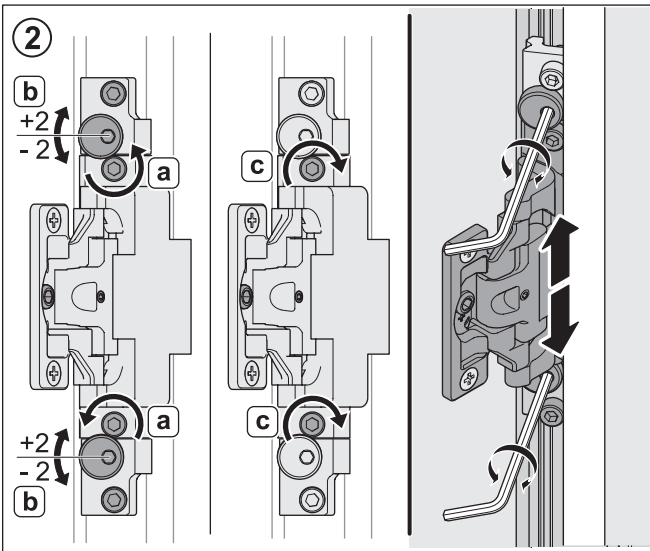
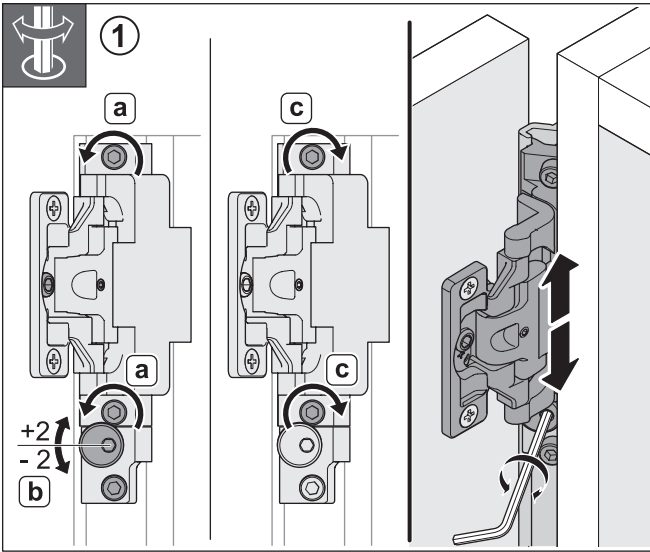
2



732.24.124

HDE 09.05.2022

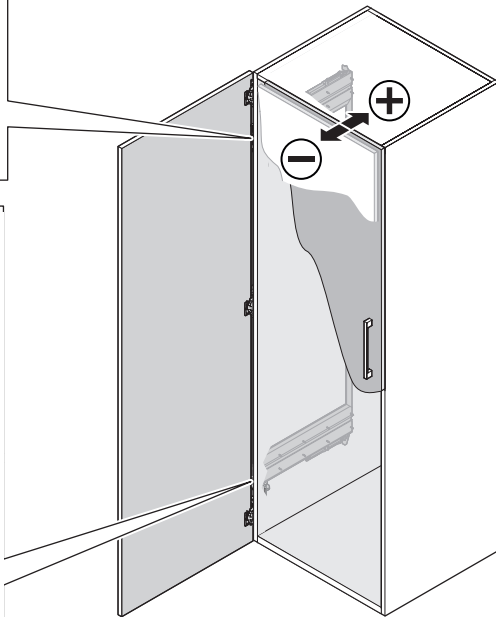
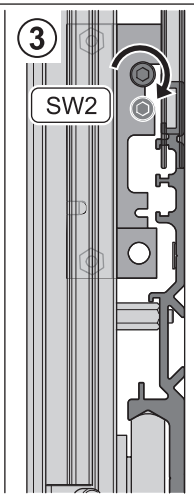
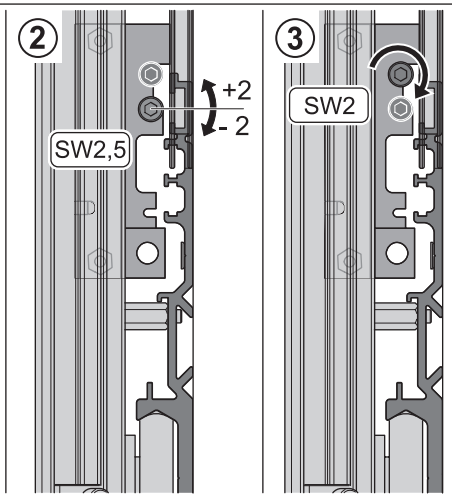
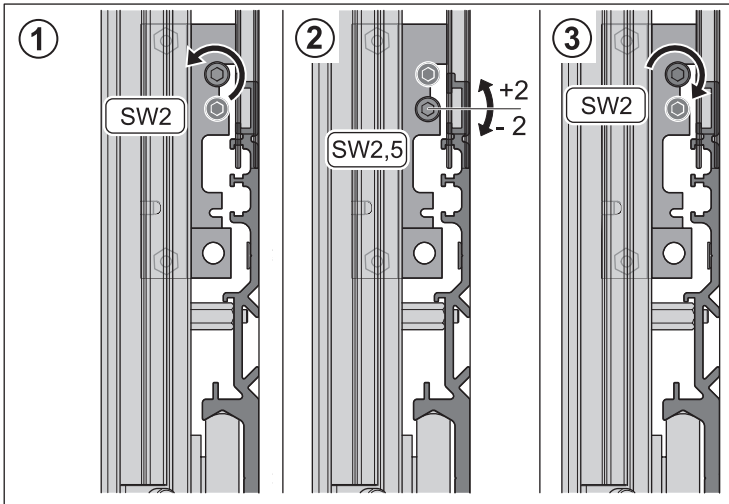
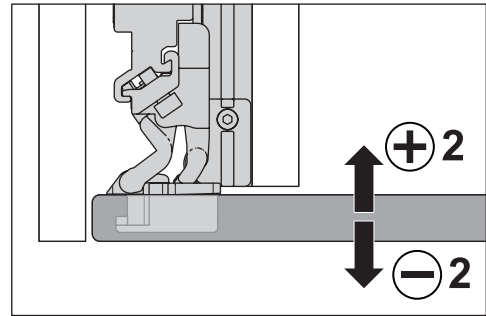
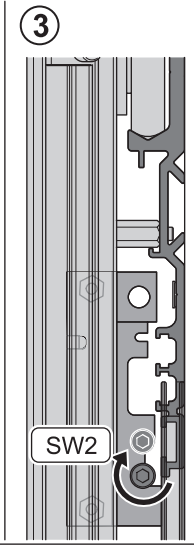
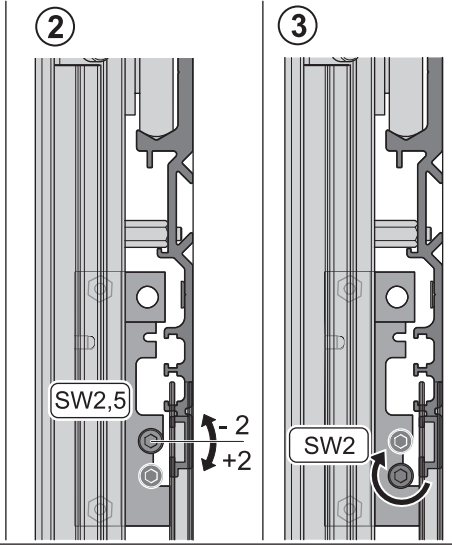
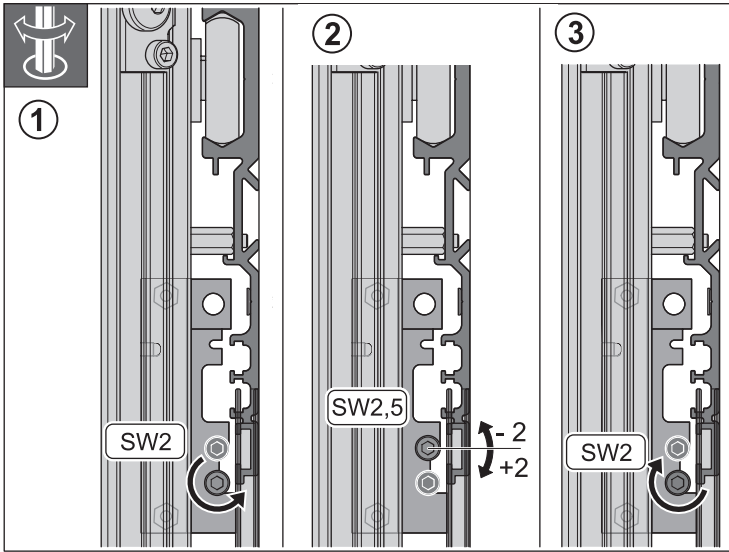
3



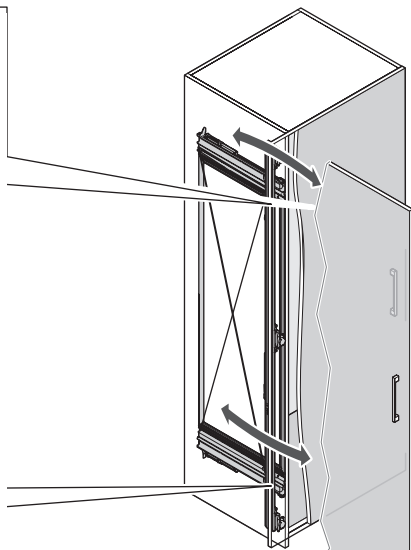
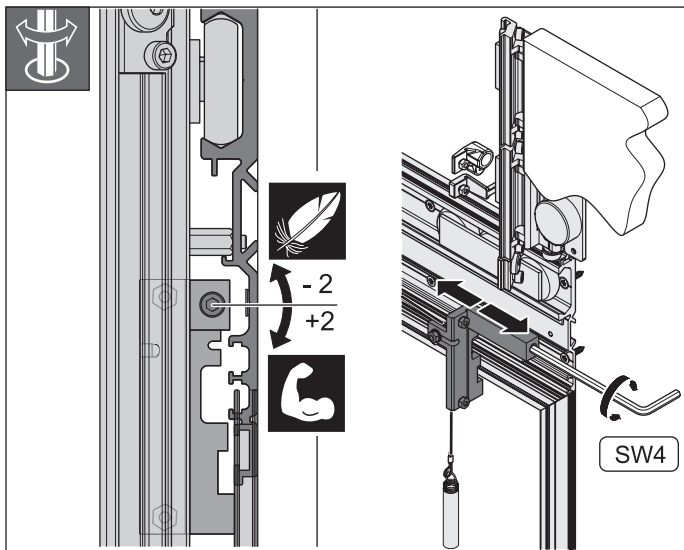
732.24.124

HDE 09.05.2022

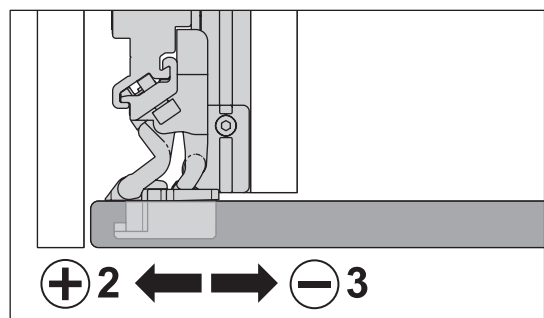
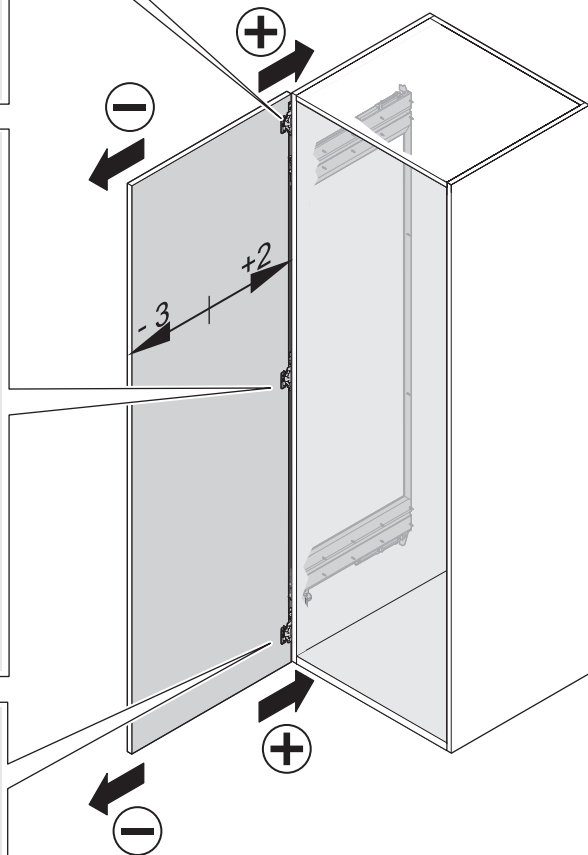
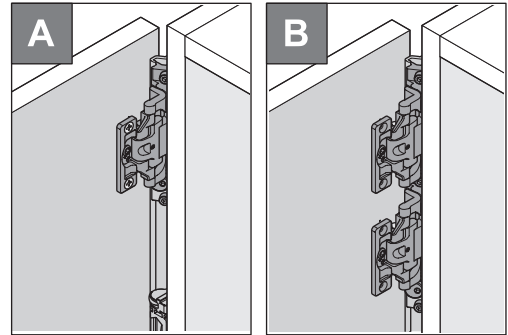
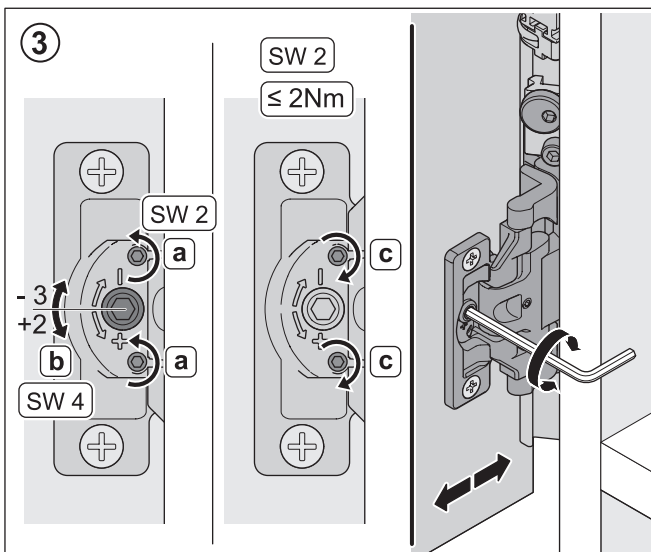
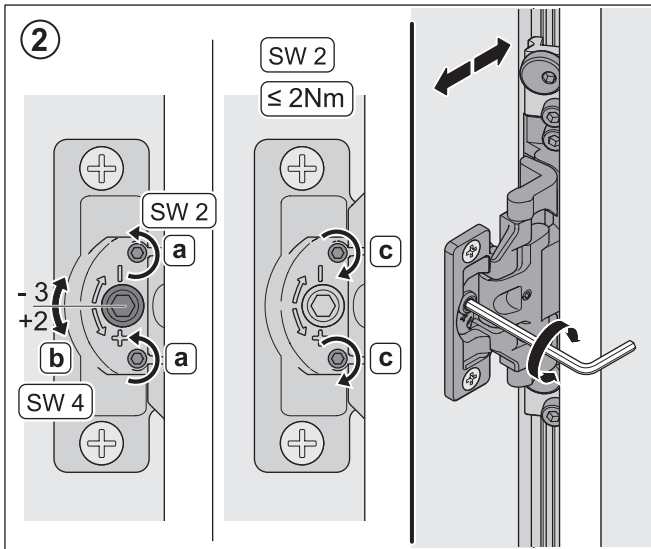
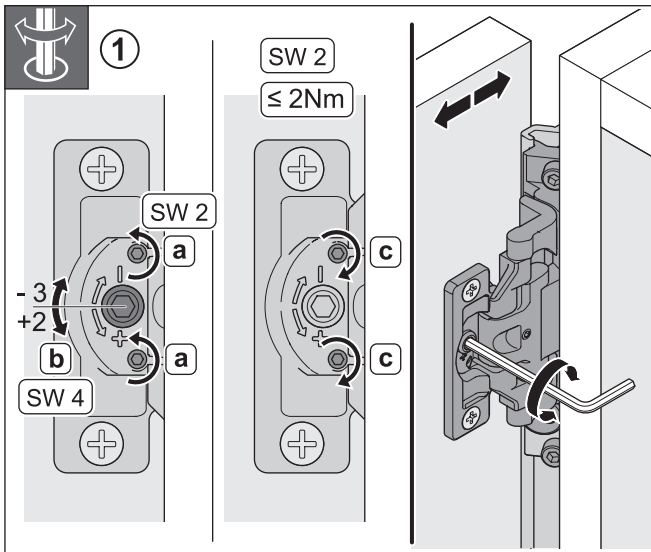
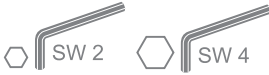
4



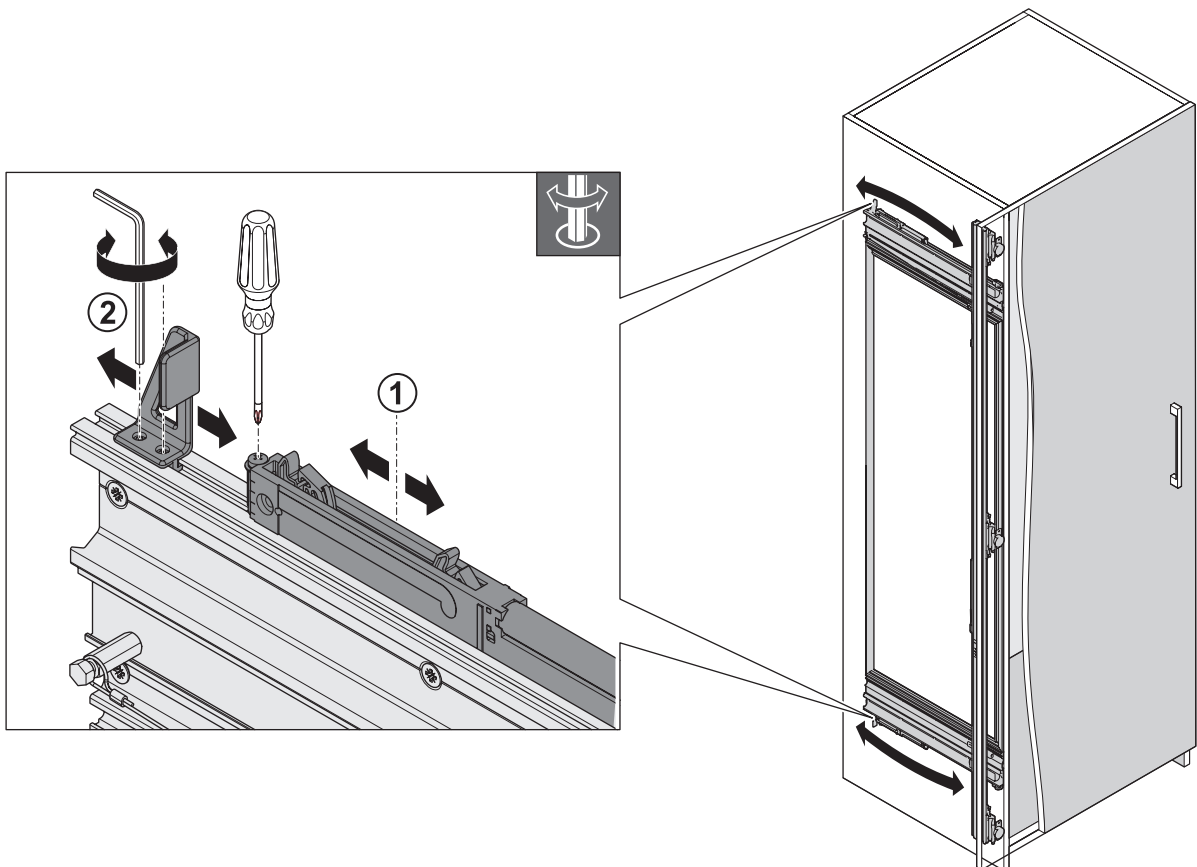
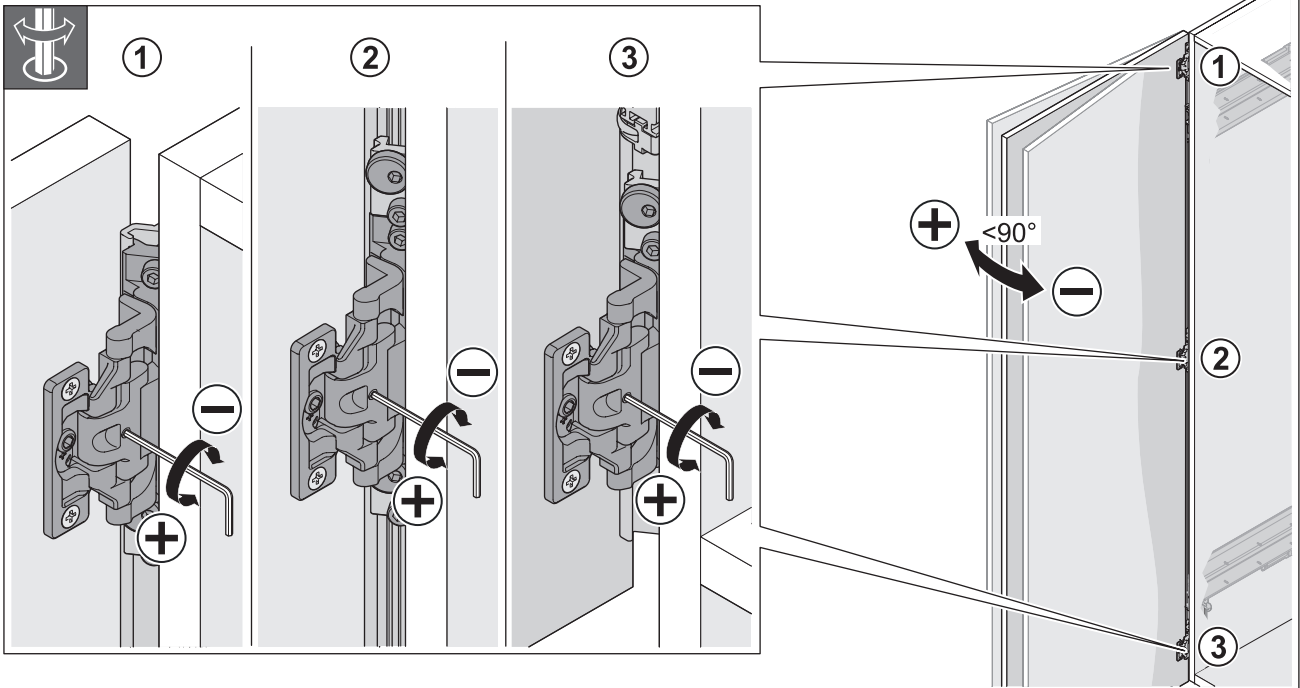
5



6



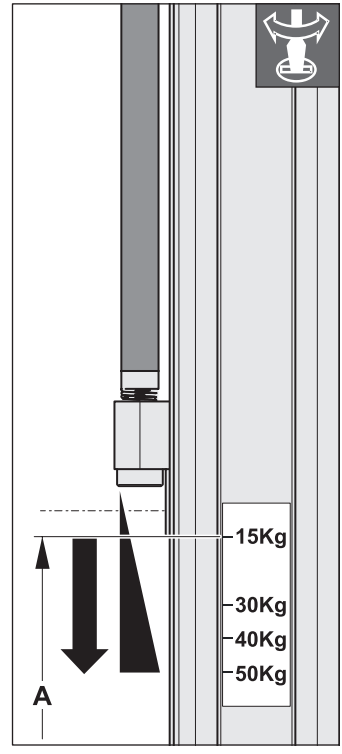
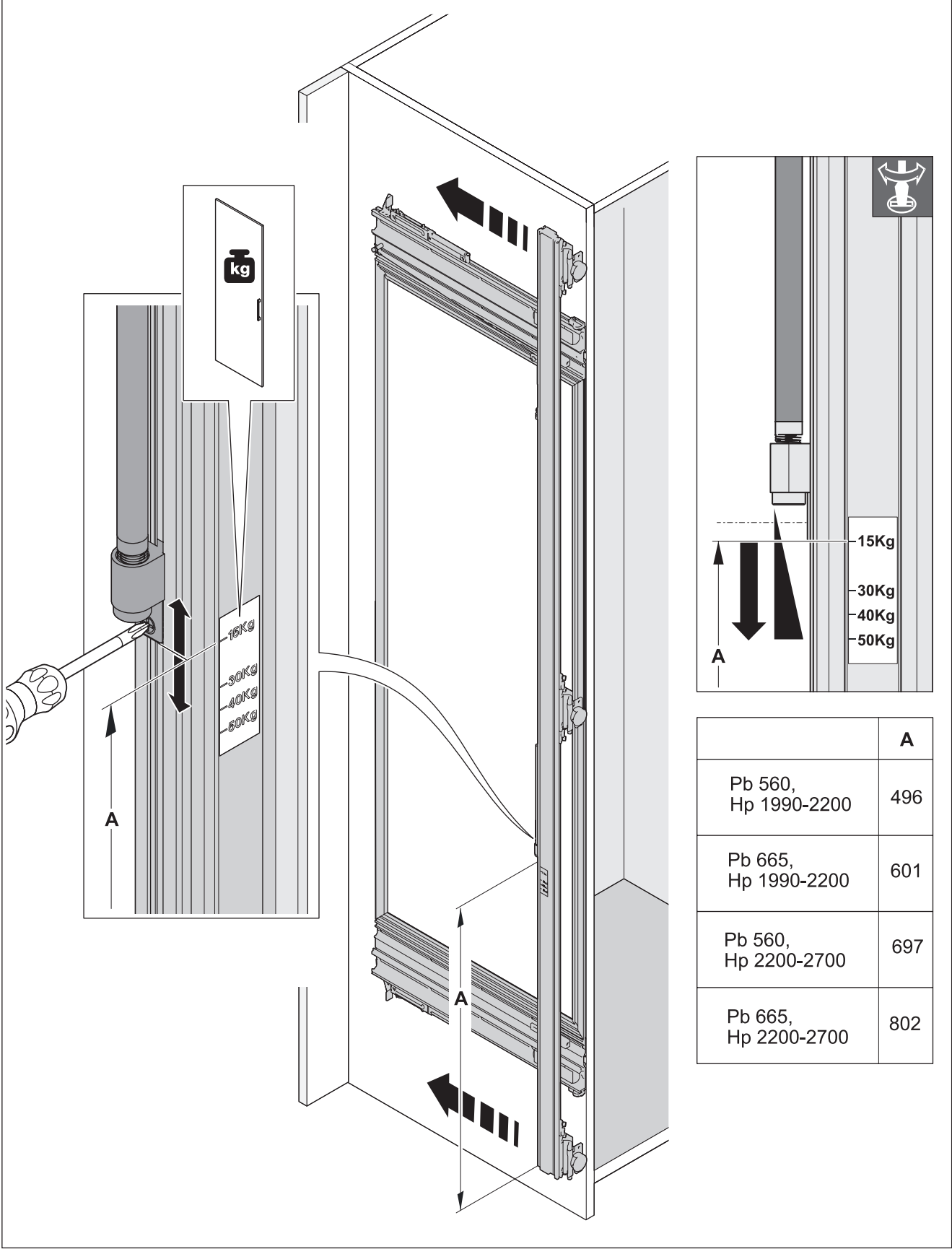
7



732.24.124

HDE 09.05.2022

8

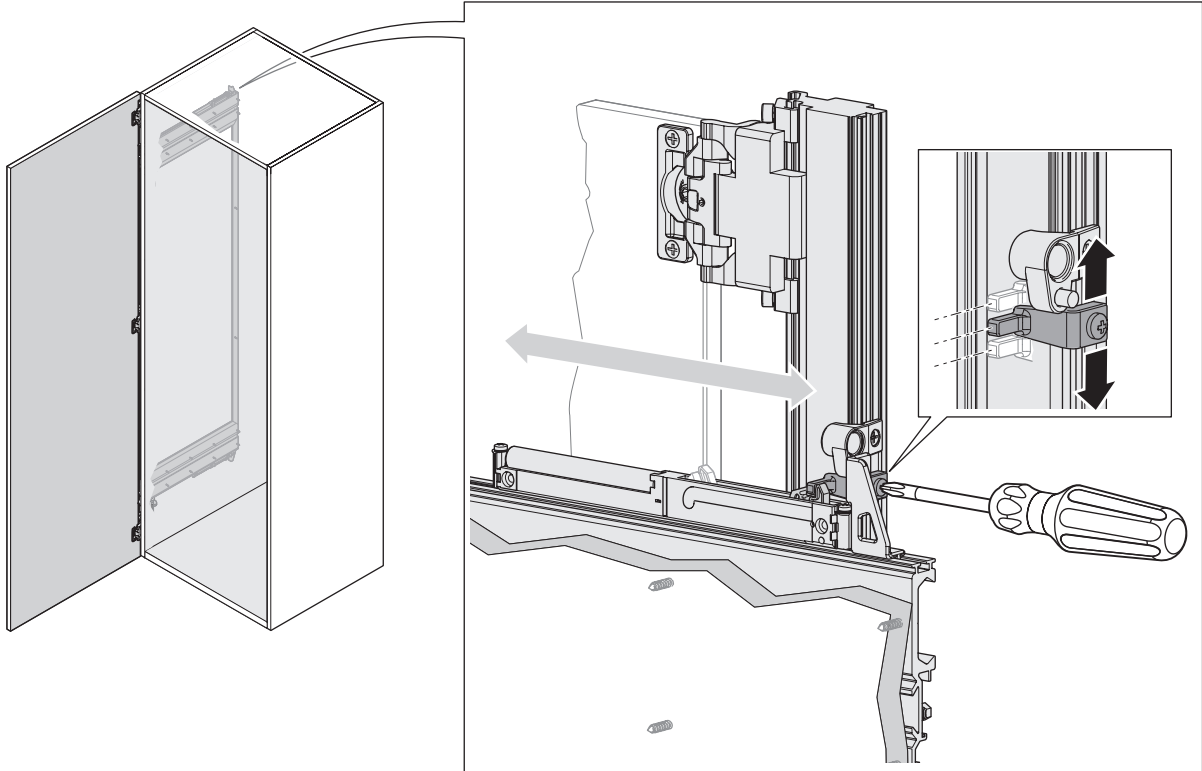


	A
Pb 560, Hp 1990-2200	496
Pb 665, Hp 1990-2200	601
Pb 560, Hp 2200-2700	697
Pb 665, Hp 2200-2700	802

732.24.124

HDE 09.05.2022

9

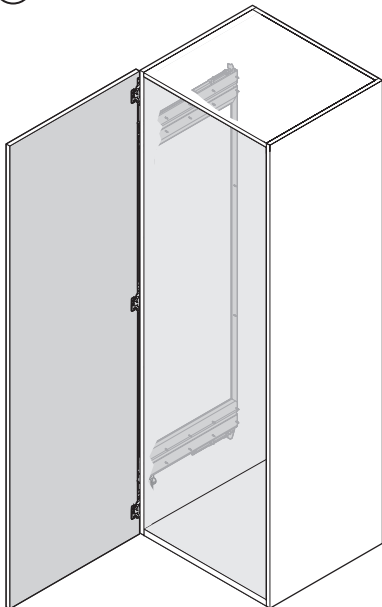


732.24.124

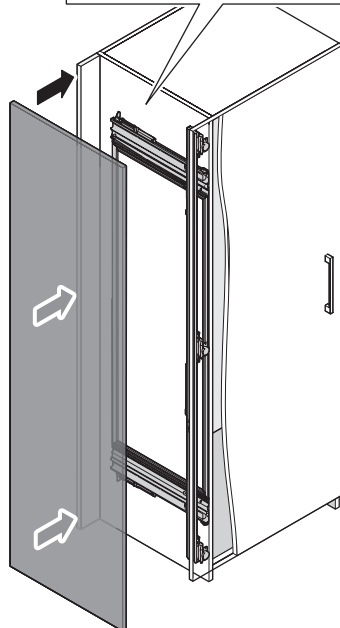
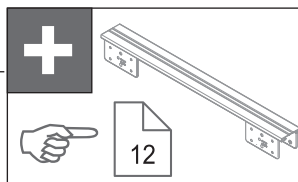
10



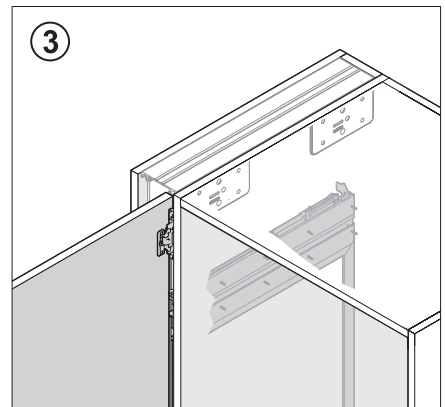
①



②

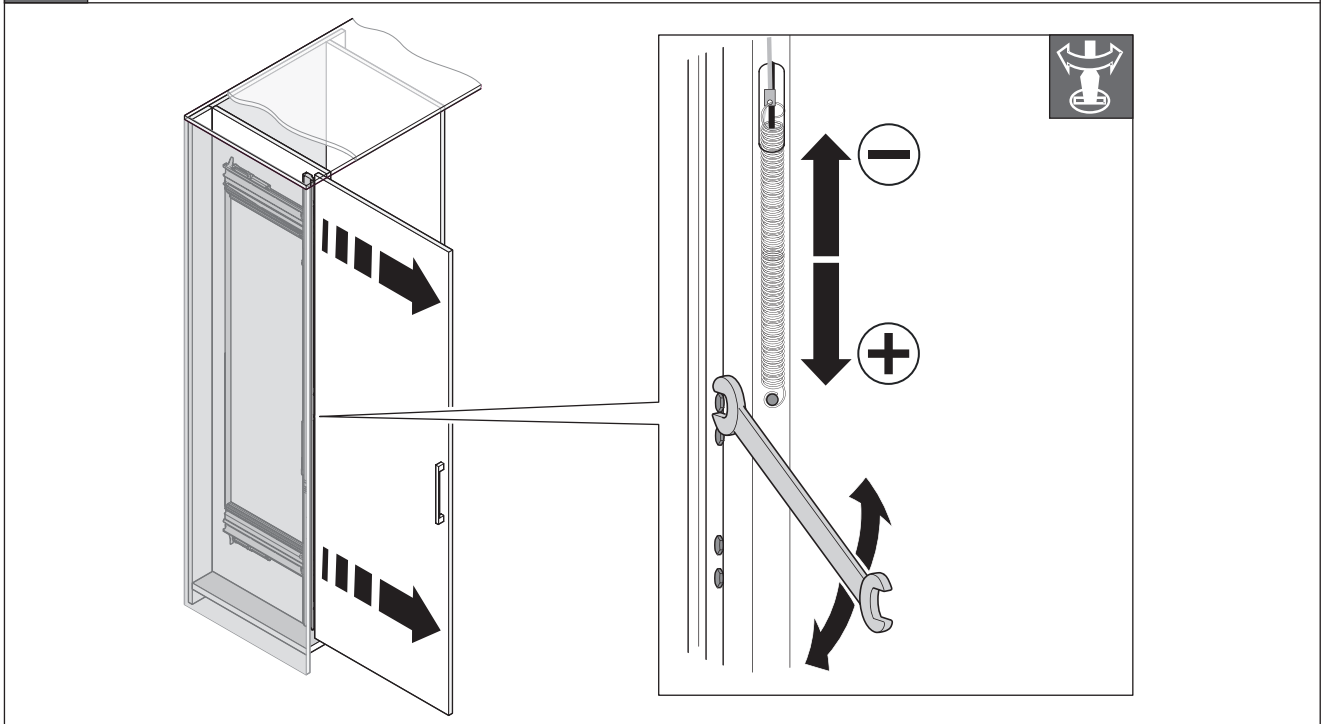


③



HDE 09.05.2022

11



12

