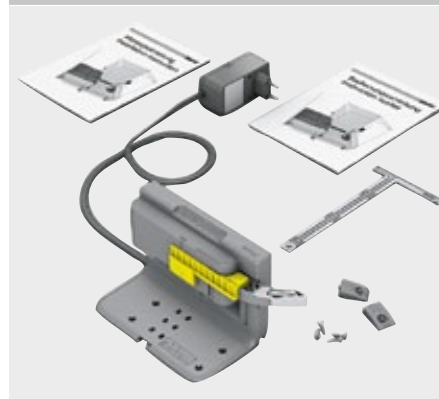


SERVO-DRIVE uno for bottom mount waste bin solutions


- No fixed connection to the drive system.
- Electrical opening support system in conjunction with **BLUMOTION** – for soft and effortless closing action
 - Suitable for individual applications
 - For bottom mount waste bin solutions
 - Also ideal for retrofitting
 - No fixed connection to the drive system
 - Pull-outs can be used unchanged
 - Simple and quick assembly of pre-mounted parts

Web code
DQE7FY
SERVO-DRIVE uno set

Order information

18 SERVO-DRIVE uno set				
	Network adapter ¹	Language package ²	Language ³	Part no.
E		A	DE EN FR IT NL	Z10NA30EA
		B	DA EN FI NO SV	Z10NA30EB
		C	EL EN HR SL SR TR	Z10NA30EC
		D	EN ES FR IT PT	Z10NA30ED
		E	CS HU PL SK	Z10NA30EE
		F	BG ET LT LV RO RU	Z10NA30EF
B	A	DE EN FR IT NL	Z10NA30BA	
K	D	EN ES FR IT PT	Z10NA30KD	
U	G	EN ES FR	Z10NA30UG	
H	J	JA	Z10NA30UJ	
	D	EN ES FR IT PT	Z10NA30HD	

Consisting of:

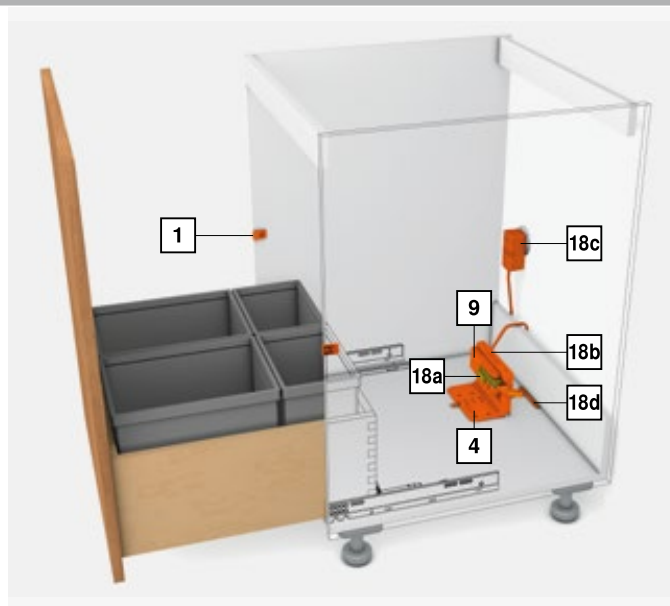
- 1 2 x Blum distance bumper
- 4 1 x Attachment bracket 1 tier
- 9 1 x Drive unit
- 18a 1 x Transport protection
- 18b 1 x Drip protection feature
- 18c 1 x 12 W SERVO-DRIVE plug-in power supply unit
- 18d 1 x Assembly
 - 7 x Screws for Blum distance bumper and attachment bracket
 - 1 x Installation instructions
 - 1 x Operating instructions

Network adapter


Other combinations available upon request

Set pre-mounted

- ¹ See the Information chapter for a detailed market list
- ² Language package – Operating and installation instructions
- ³ Language descriptions as per ISO-639

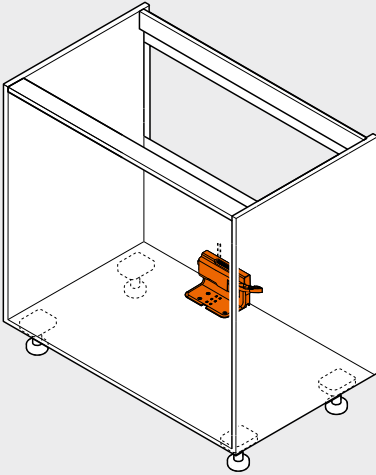


SERVO-DRIVE uno for bottom mount waste bin solutions

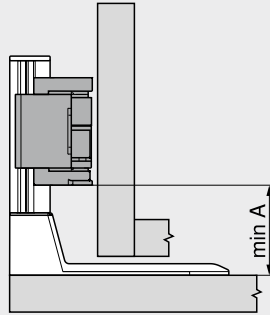
Web code
DQE7FY

Planning

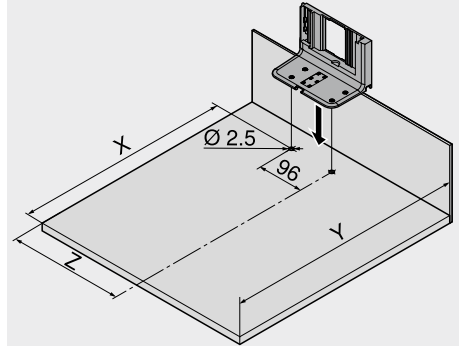
Cabinet



Position – drive unit



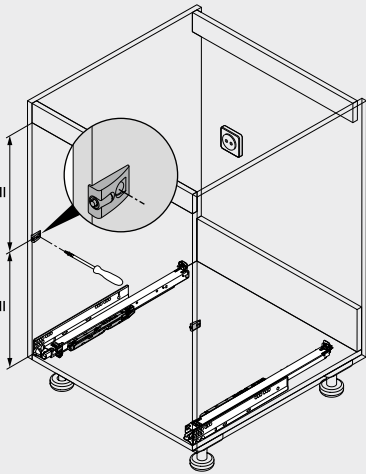
Drilling distances – base



Runner systems	Internal cabinet width LW (mm)
	A (mm)
MOVENTO	35
TANDEM	35
A	Distance between the bottom edge of the attachment bracket and the bottom edge of the drive unit

Runner systems	Internal cabinet width LW (mm)		
	X (mm)	Y (mm)	Z (mm)
MOVENTO	NL + 16	NL + 30	LW / 2
TANDEM	NL + 16	NL + 30	LW / 2
NL	Nominal length		
X	Drilling position		
Y	Min. space requirement		
Z	Dimension of engagement		

Position – Blum distance bumper



The Blum distance bumper creates and maintains the required trigger path of 2 mm

Reference pages

Overview	493	More technical details
MOVENTO	416	
TANDEM	446	
SERVO-DRIVE uno – market list	718	
E-SERVICES and assembly devices	590	
Machine directive	701	

698 Assembly, removal and adjustment

Short URL
www.blum.com/a450

