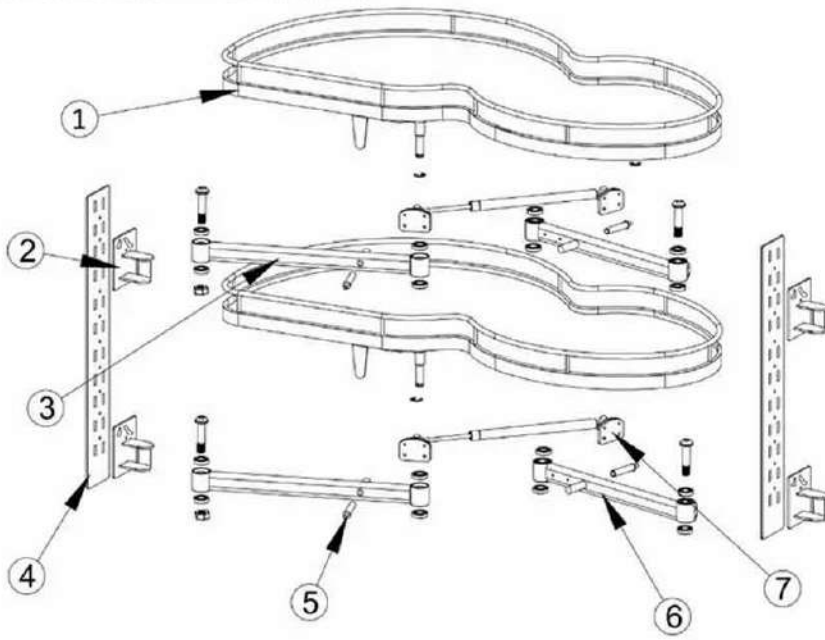
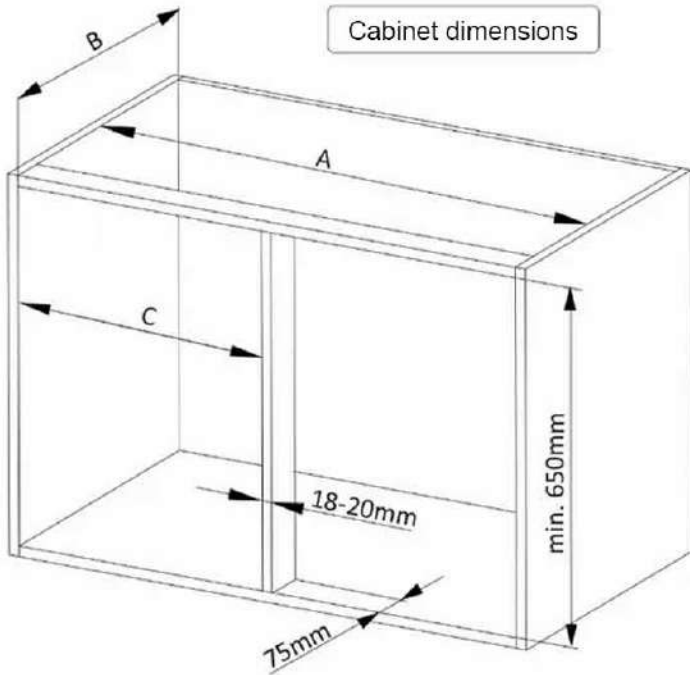


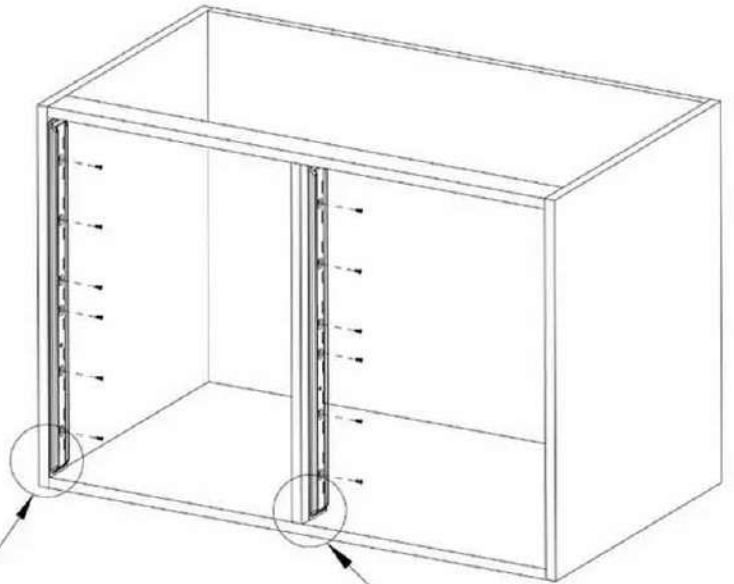
# Instruction manual



1	Shelf	2 pcs.
2	Arm mount	4 pcs.
3	Front arm	2 pcs.
4	Mounting strip	2 pcs.
5	Damper	4 pcs.
6	Rear arm	2 pcs.
7	Gas actuator	2 pcs.

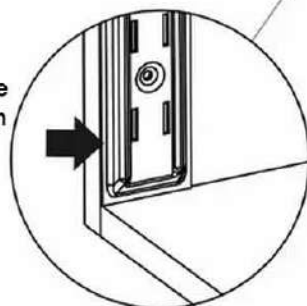


Installation of strips into cabinet

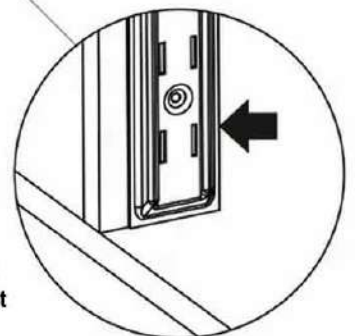


model	Parameters		
	A	B	C
800	min. 750	min. 500	376
900	min. 850	min. 520	426
1000	min. 950	min. 535	476
1200	min. 950	min. 535	576

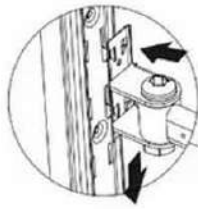
Place the first strip on the bottom and attach it flush with the edge of the cabinet side



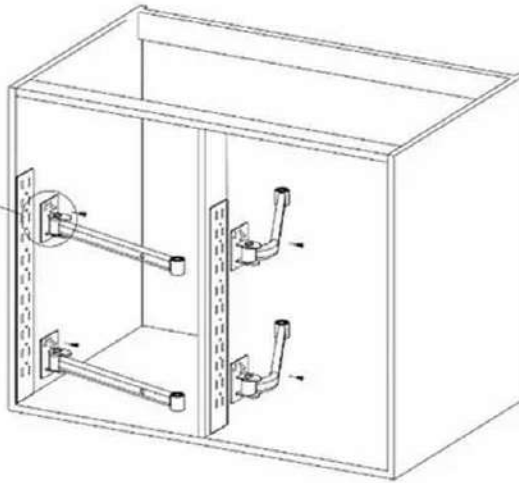
Place the second strip on the bottom and attach it flush with the rear edge of the center post



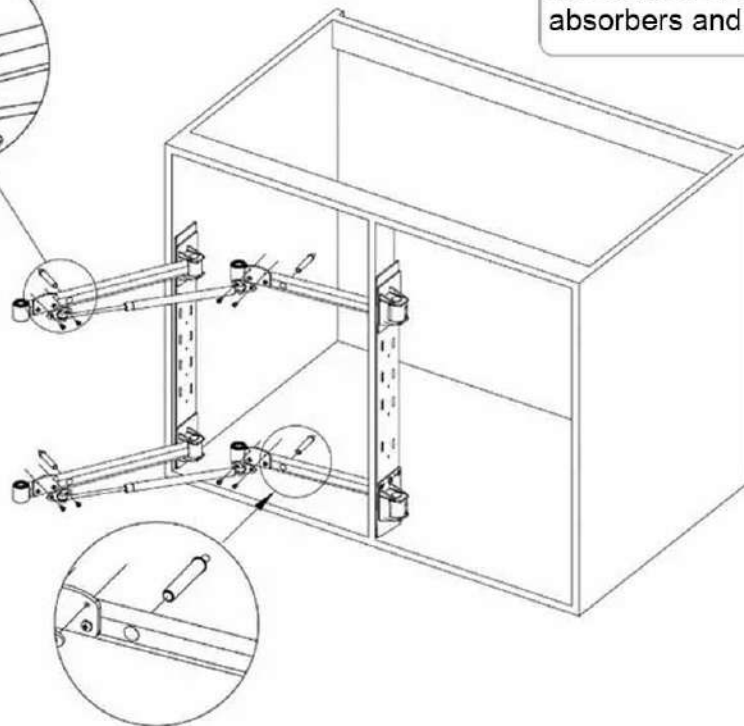
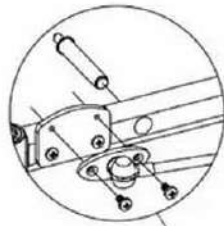
### Arm assembly



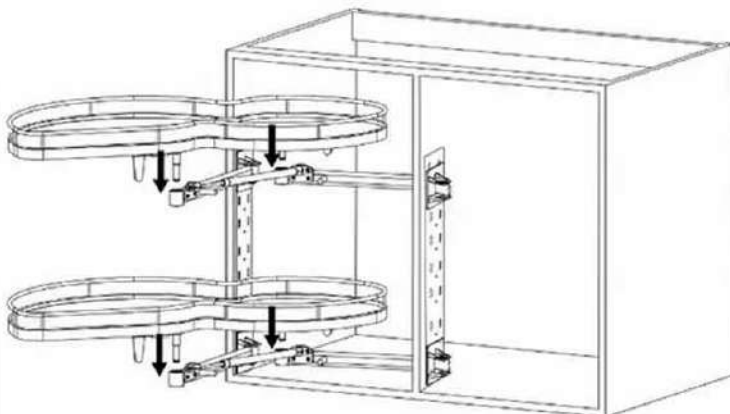
Set the arms at the desired height and insert the arm mount into the strip, then tighten it down and tighten the locking screw



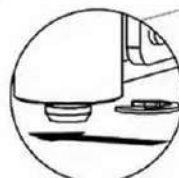
### Installation of shock absorbers and gas actuators



### Shelf installation



Insert the arms and place the shelf into position and then press down



Insert the safety pins