


BASE PULL-OUT PLUS - 300/400mm LH (IP2B300L/IP2B400L)

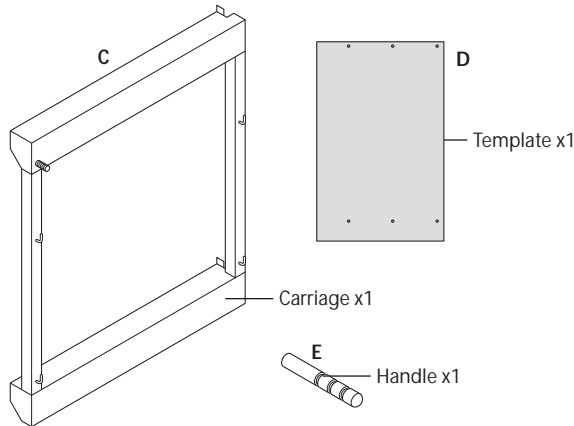
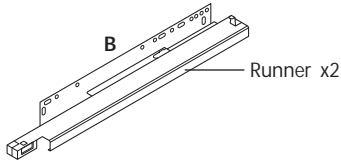
Assembly and fitting instructions



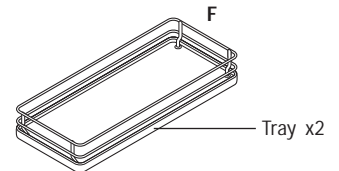
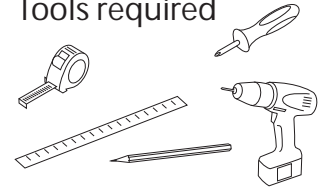
! **IMPORTANT** - The unit has a maximum loading limit of 20kg. Load should be evenly distributed across both trays. All fixings supplied must be used for installation. Illustrations show left handed version.

Parts

A  x6 3.5 x 16mm countersunk screw

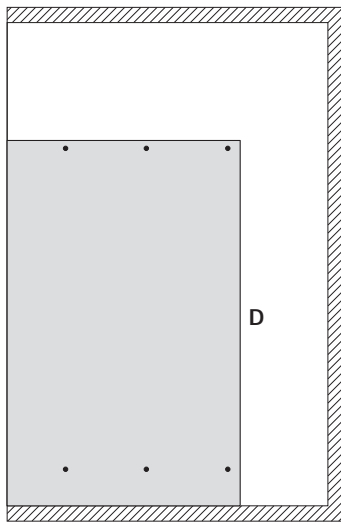


Tools required

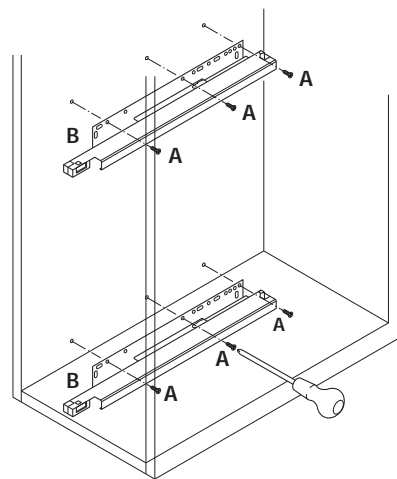


Please ensure that all the above fittings are present before installation begins.

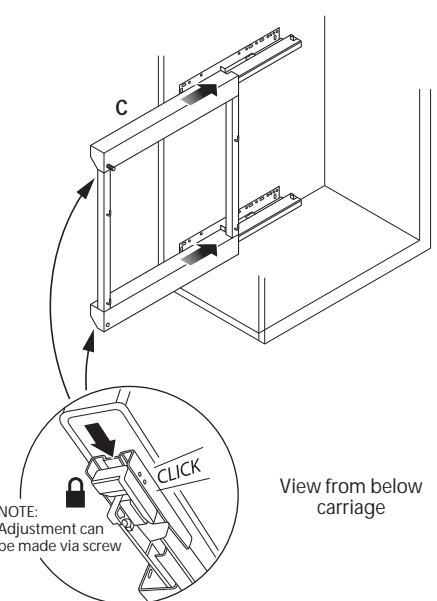
1 Mark screw positions for runners on left hand side of cabinet.



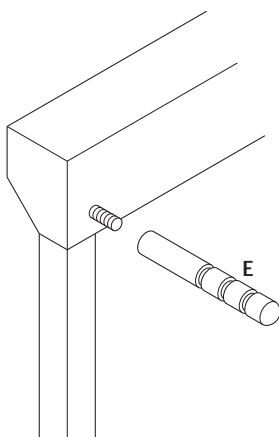
2 Secure runners to cabinet side.



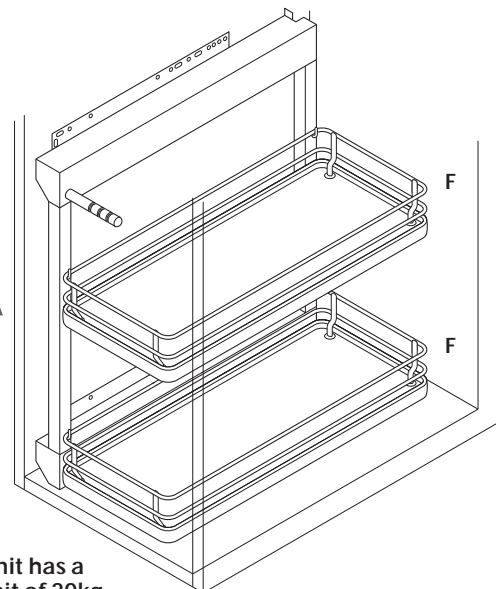
3 Slide carriage onto runners ensuring the carriage sits under the back retaining lugs, and click into place.



4 Fit the opening handle to the carriage.



5 Fit the trays.



! **IMPORTANT** - The unit has a maximum loading limit of 20kg.